

[54] ELECTRIC FAN

[75] Inventor: Shao Shin-Chin, San-Chung, Taiwan

[73] Assignee: Holmes Products Corp., Holliston, Mass.

[**] Term: 14 Years

[21] Appl. No.: 824,174

[22] Filed: Jan. 30, 1986

[52] U.S. Cl. D23/382

[58] Field of Search D23/155-165,
D23/148-150; 98/33.1, 40.01, 40.05, 40.07,
40.1, 40.12, 40.18, 40.2; 219/200-201, 228, 244,
254, 522, 530; 248/121, 130-131, 133, 163.1,
121 G, 123, 126, 210, 216-217, 219 R, 219 A,
219 B, 219 C; 416/5, 63, 147-148, 170 R, 244,
246-247; 417/234, 424

[56] References Cited

U.S. PATENT DOCUMENTS

D. 159,692 8/1950 Steinhart D23/155
D. 167,740 9/1952 Corwin D23/155
D. 221,077 7/1971 Stut D23/155
D. 240,231 6/1976 Patton D23/156
D. 270,941 10/1983 Lin D23/155

FOREIGN PATENT DOCUMENTS

213060 9/1962 Japan D23/155

OTHER PUBLICATIONS

Sears Spring/Summer catalogue, 1980, p. 1200, #3, 9 Inch Oscillating Fan.

Hitachi Advertisement, Hardware Age, Mar. 1974, p. 26, #4, fan.

Primary Examiner—Wallace R. Burke

Assistant Examiner—Brian N. Vinson

Attorney, Agent, or Firm—Irving M. Kriegsman

[57] CLAIM

The ornamental design for an electric fan, as shown and described.

DESCRIPTION

FIG. 1 is a front elevational view of an electric fan showing my new design;

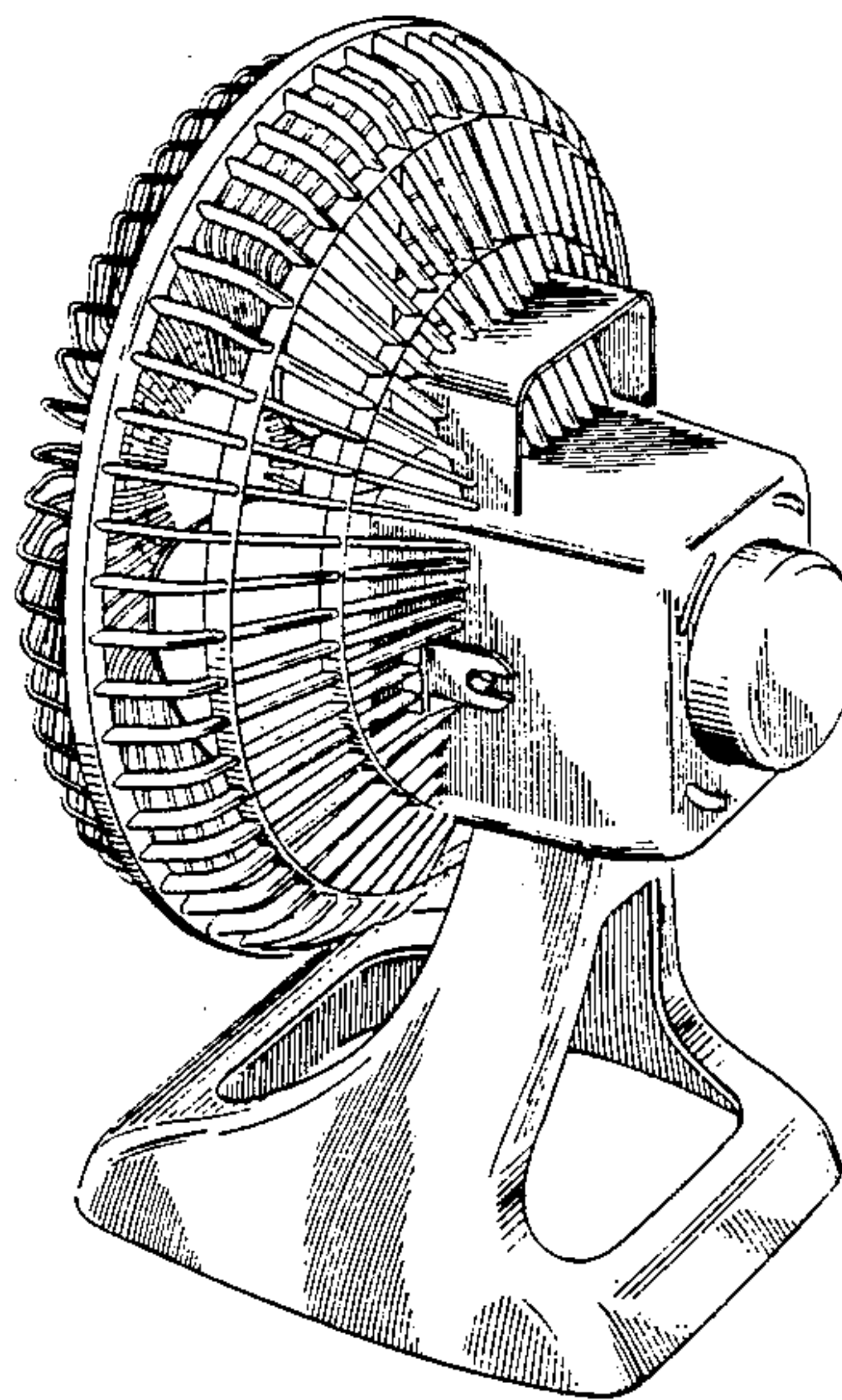
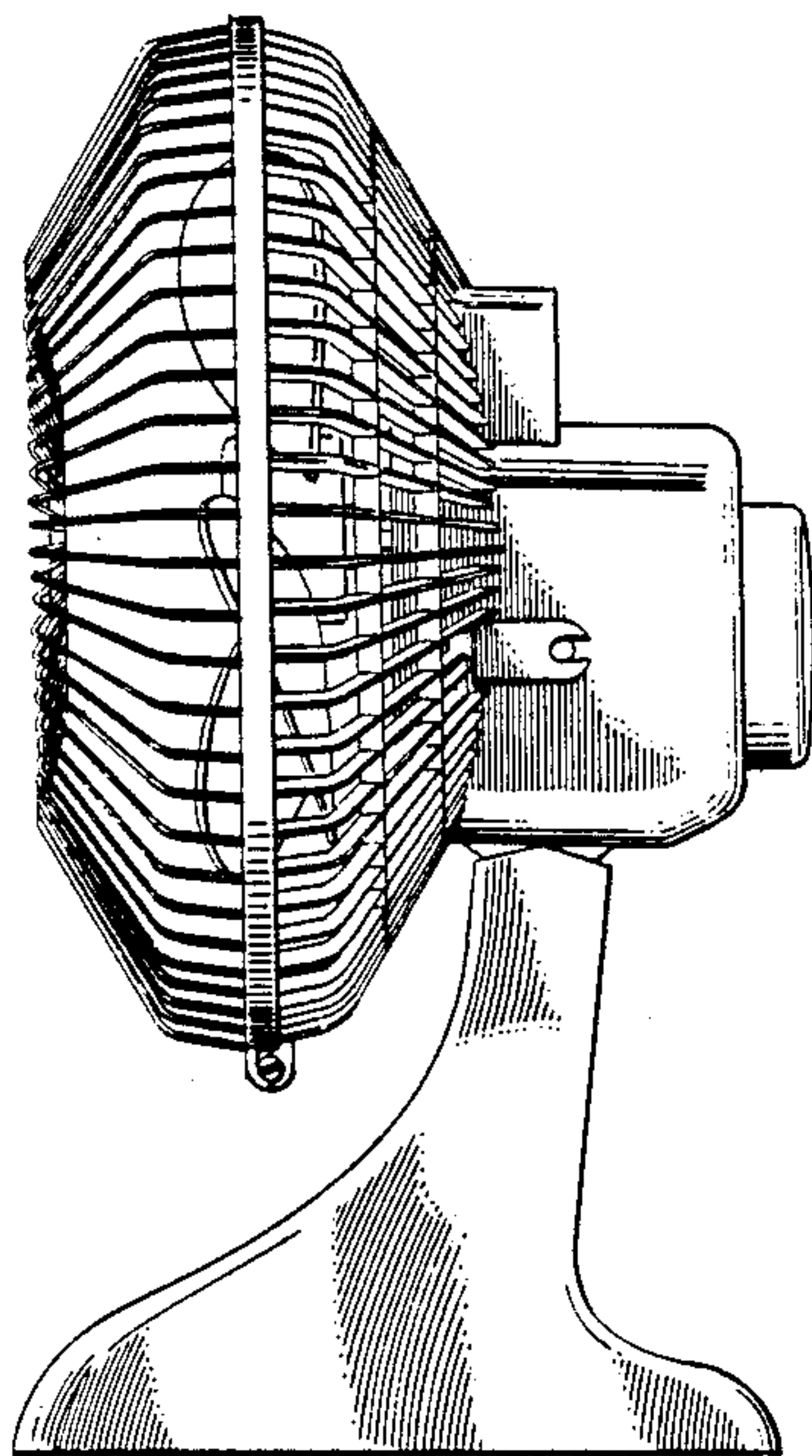
FIG. 2 is a rear elevational view thereof;

FIG. 3 is a top plan view thereof;

FIG. 4 is a right side elevational view thereof, the left side being a mirror image;

FIG. 5 is a bottom plan view thereof;

FIG. 6 is a top, left front perspective view thereof, and FIG. 7 is a top, right rear perspective view thereof, taken from the top.



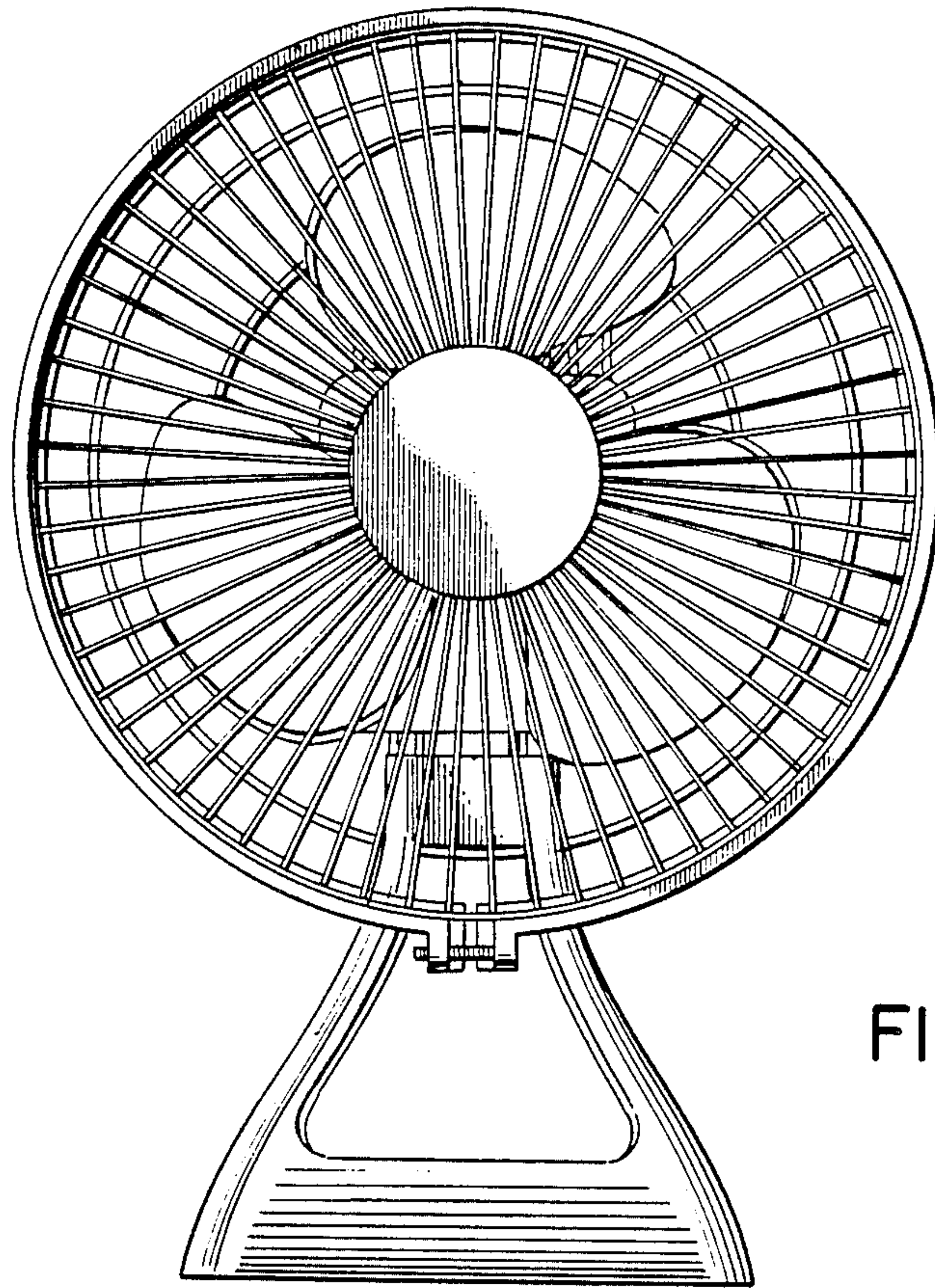


FIG. 1

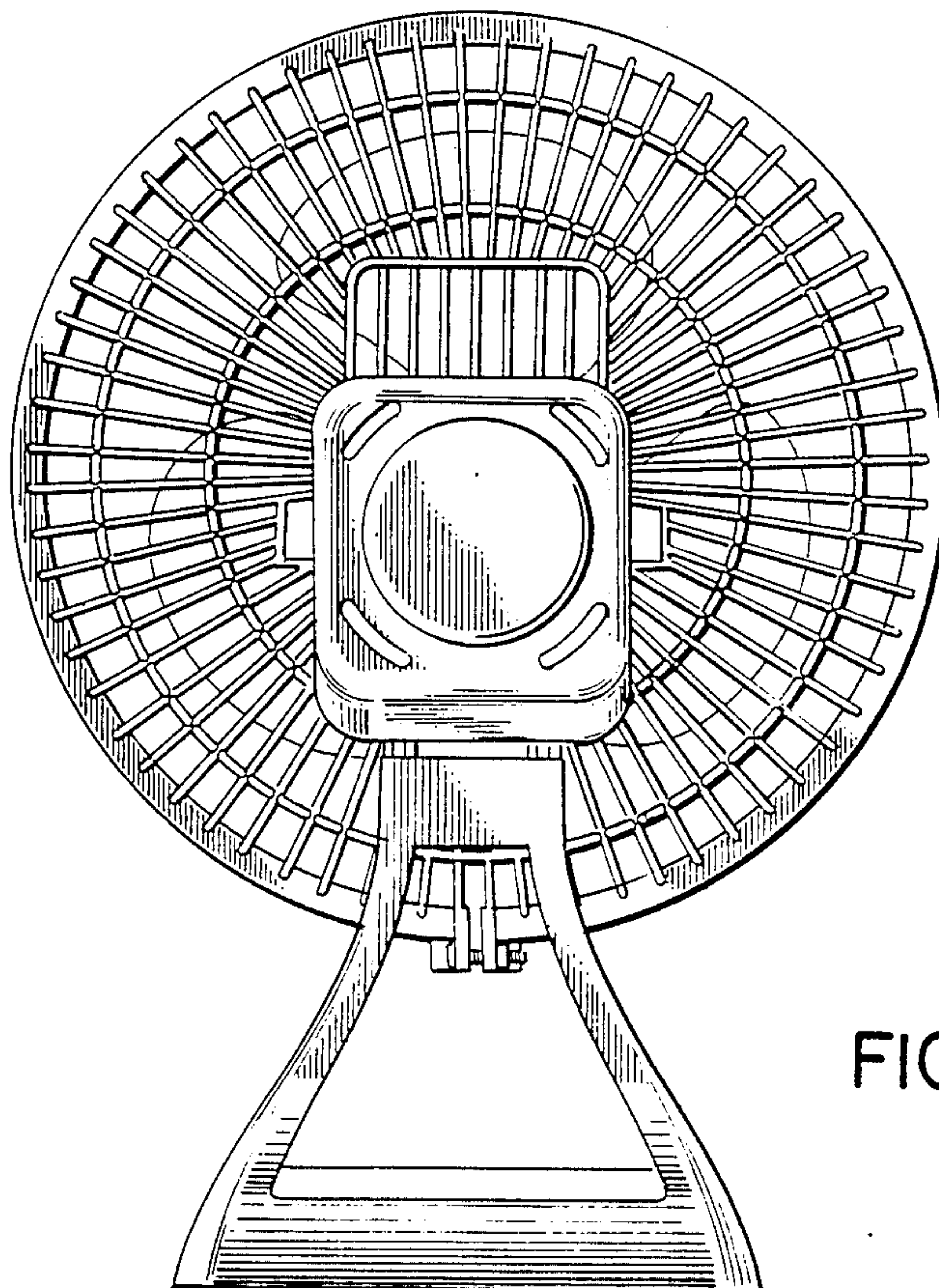


FIG. 2

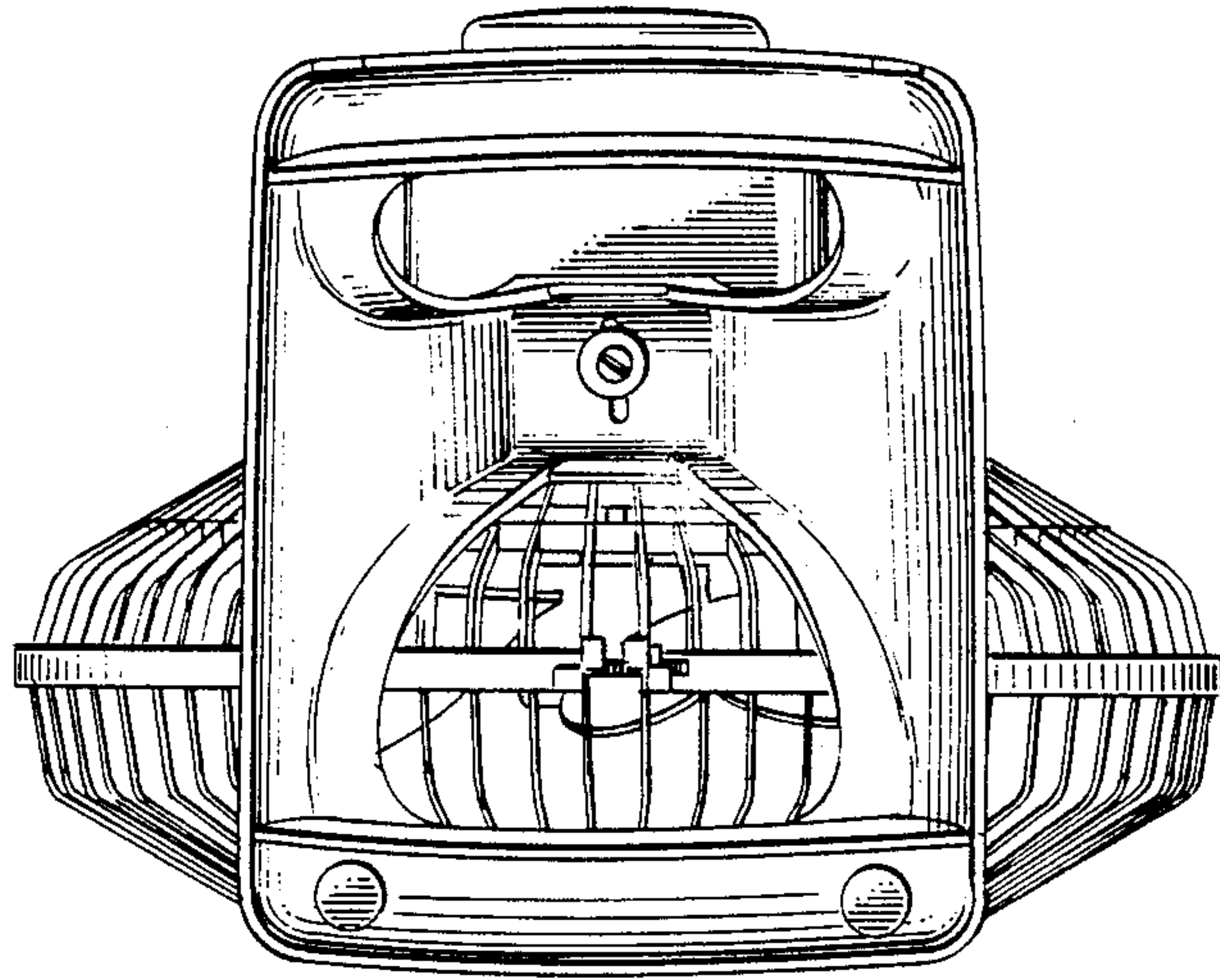


FIG. 5

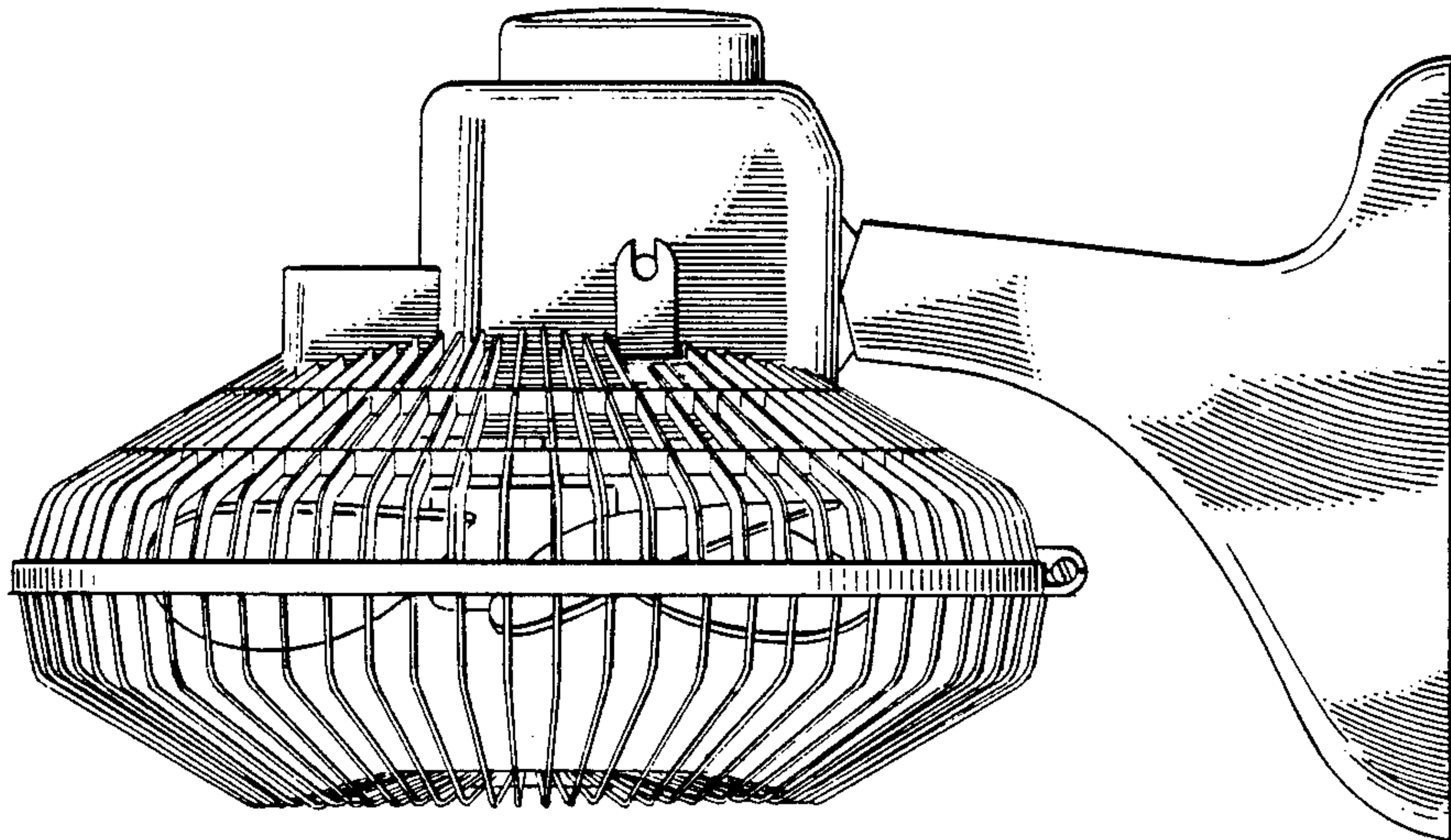


FIG. 4

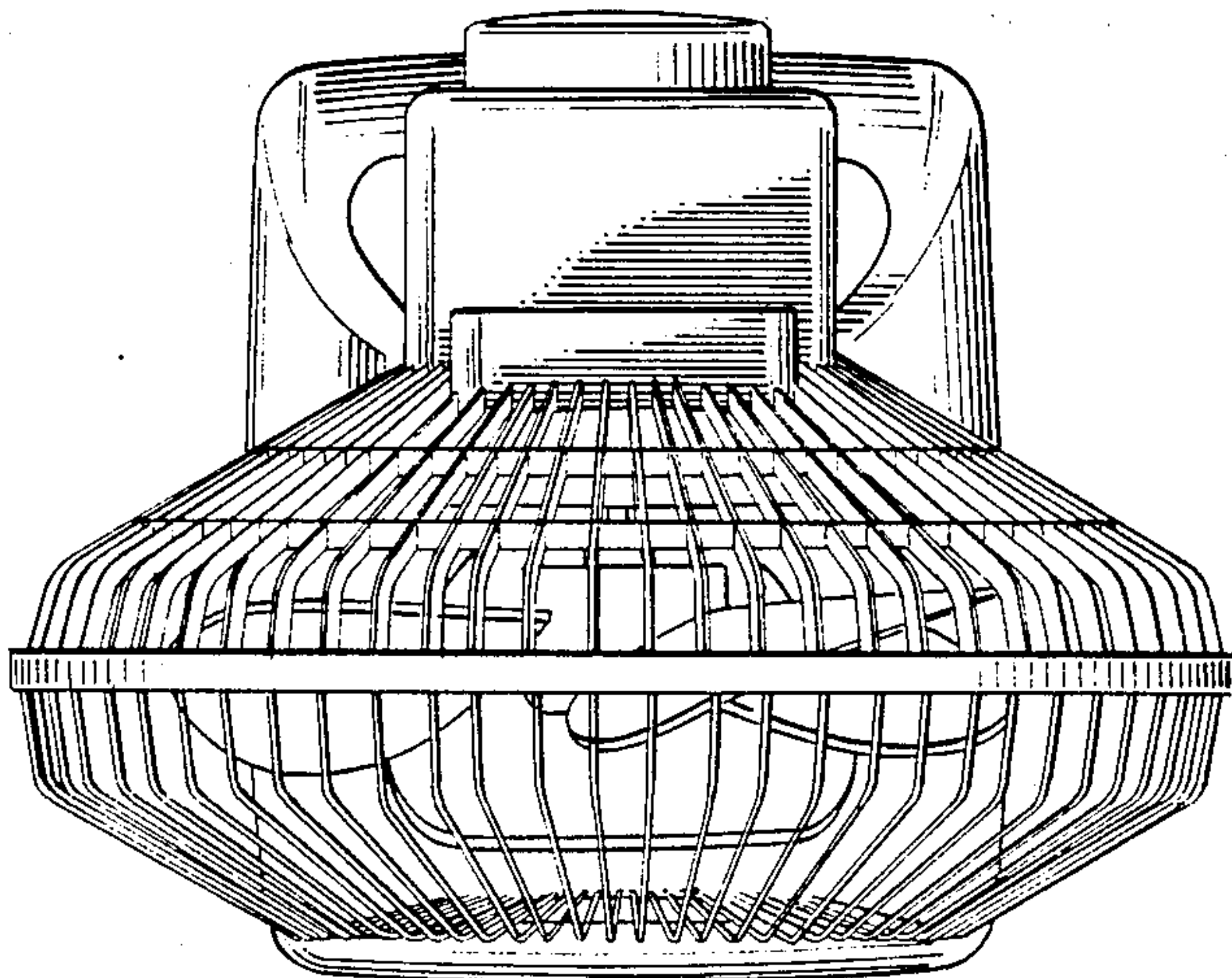


FIG. 3

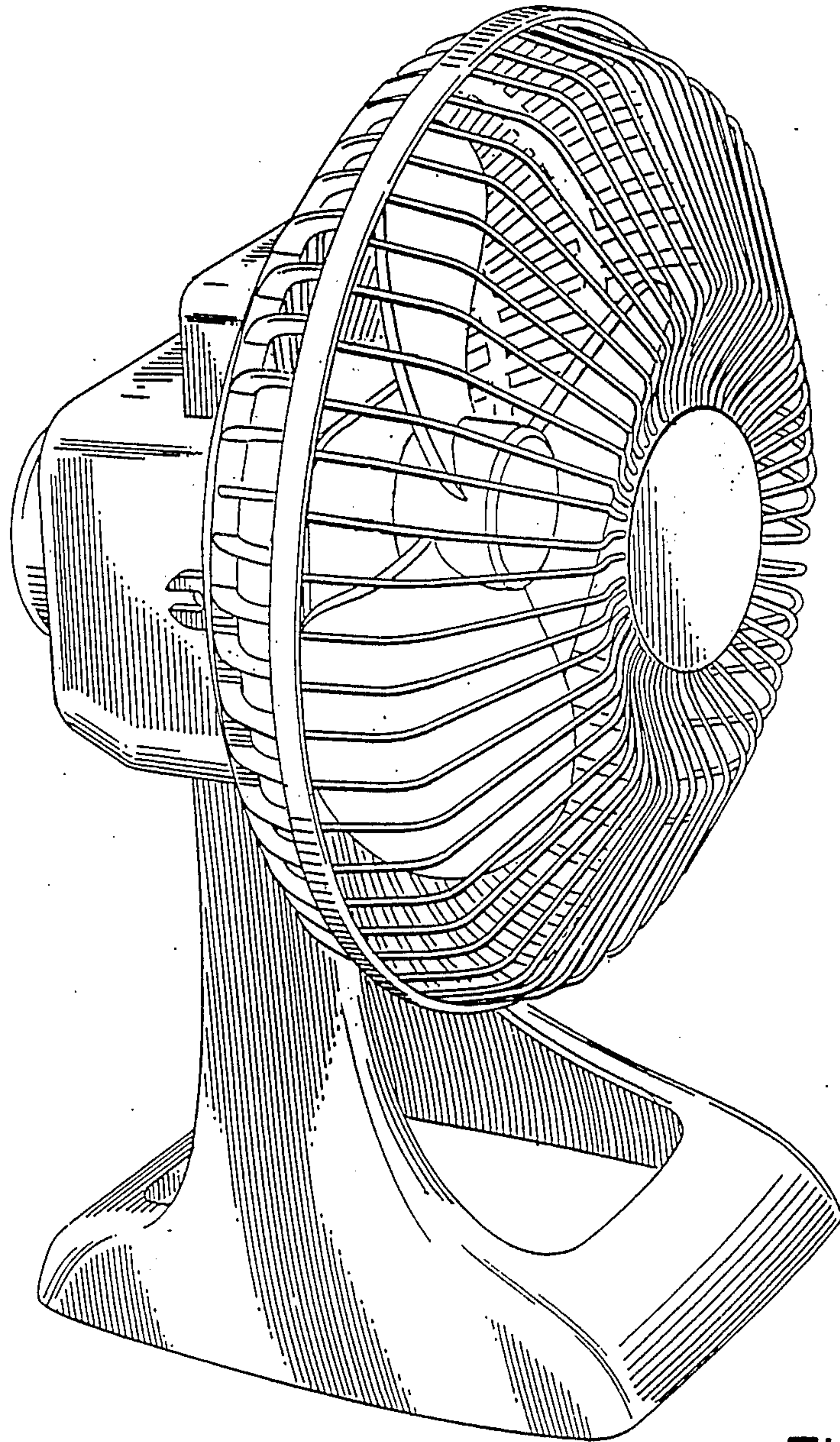


FIG. 6

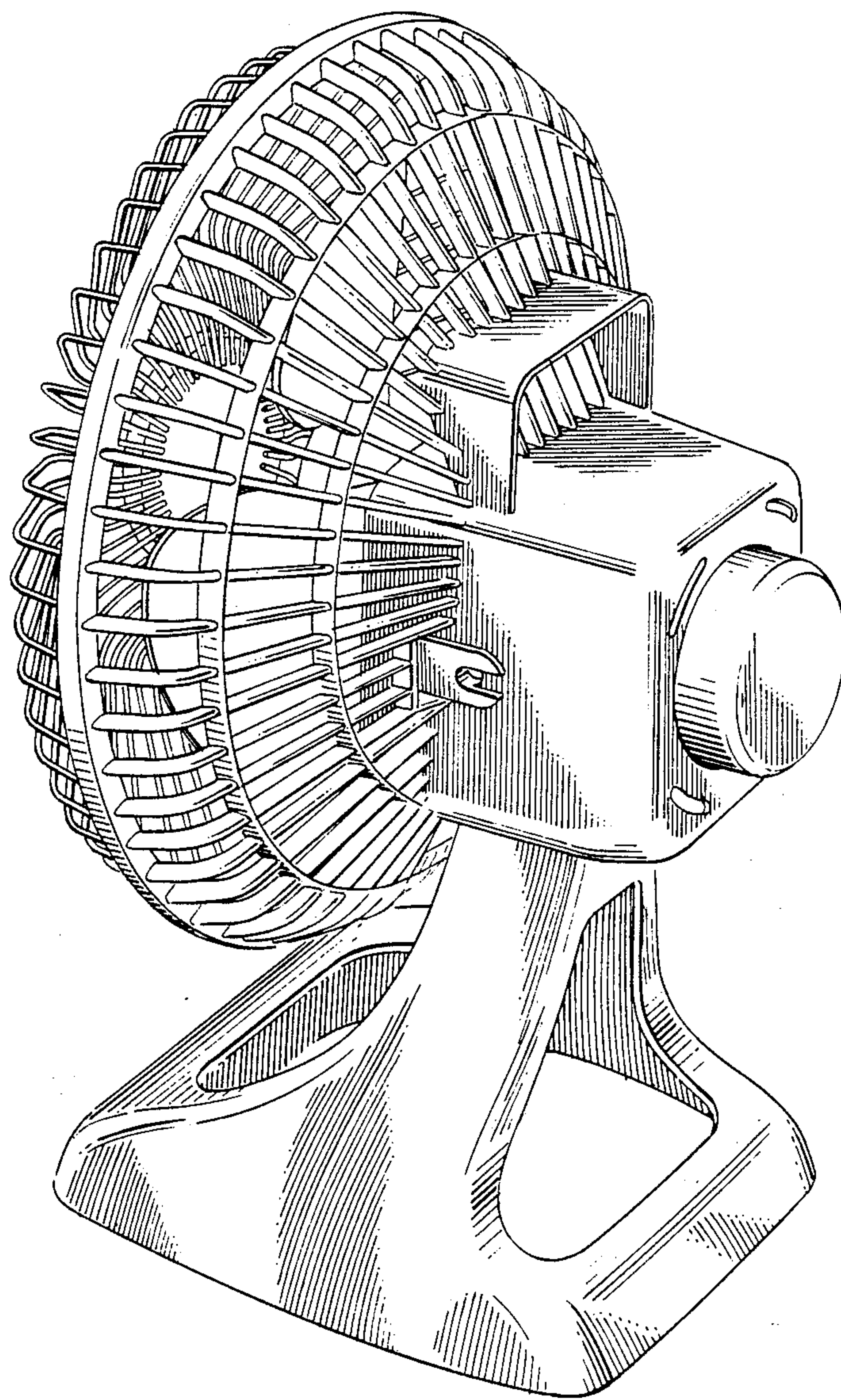


FIG. 7