

# United States Patent [19]

Iancului

[11] Patent Number: **Des. 294,961**

[45] Date of Patent: **\*\* Mar. 29, 1988**

[54] **PUZZLE TOY**

[76] Inventor: **Octavian Iancului, 2636 W. Porter, Apt. G, Fullerton, Calif. 92633**

[\*\*] Term: **14 Years**

[21] Appl. No.: **761,046**

[22] Filed: **Jul. 30, 1985**

[52] U.S. Cl. .... **D21/106**

[58] Field of Search ..... **D21/104, 105, 106, 107; D8/323, 325; D3/62, 64; 273/153 R, 158, 157, 155**

[56] **References Cited**

**U.S. PATENT DOCUMENTS**

D. 226,017 1/1973 Graham et al. .... D21/106

D. 273,049 3/1984 Lam et al. .... D3/62  
1,133,061 3/1915 Quarles ..... D21/104  
3,706,458 12/1972 Jones ..... 273/158

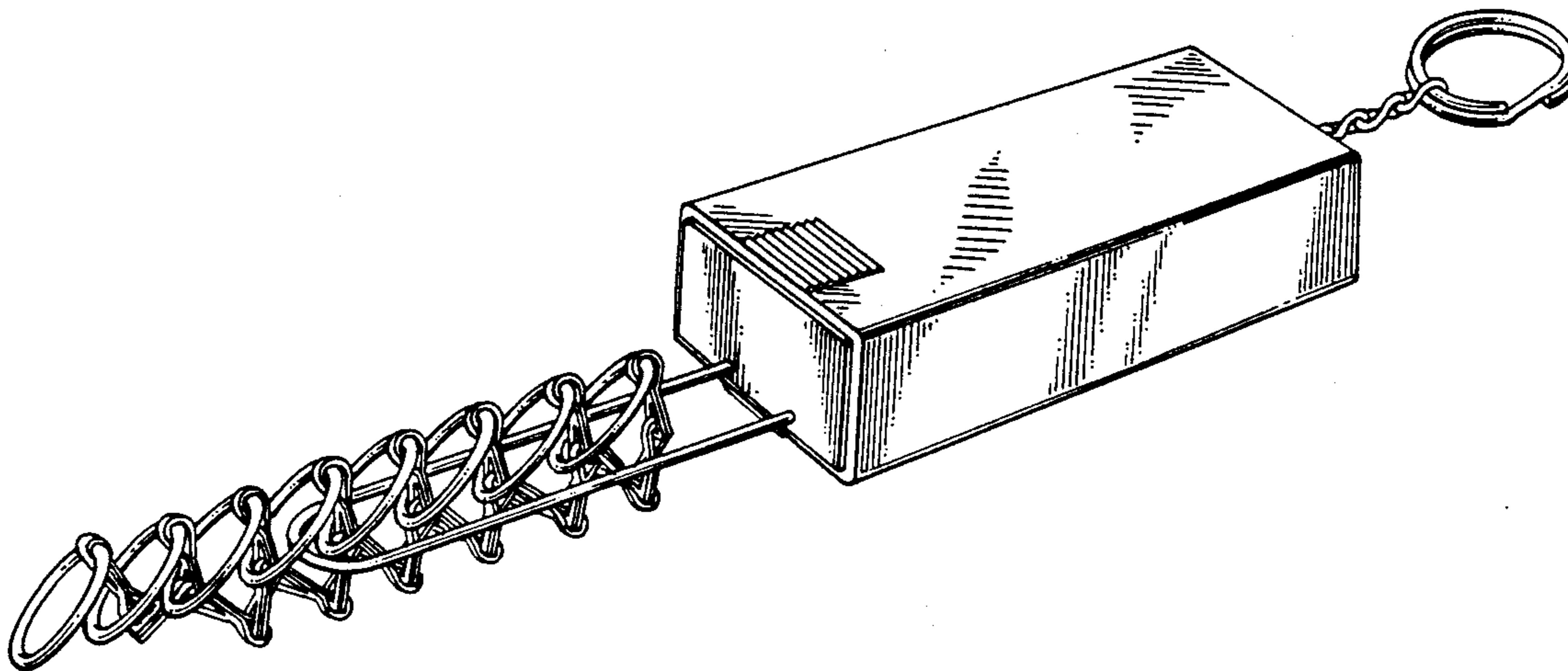
*Primary Examiner*—Charles A. Rademaker  
*Attorney, Agent, or Firm*—Harland L. Burge, Jr.

[57] **CLAIM**

The ornamental design for puzzle toy, as shown and described.

**DESCRIPTION**

FIG. 1 is a perspective view of a puzzle toy showing my new design;  
FIG. 2 is a top plan view thereof, the bottom plan view being substantially a mirror image; and  
FIG. 3 is a side elevational view thereof, the side opposite being substantially a mirror image.



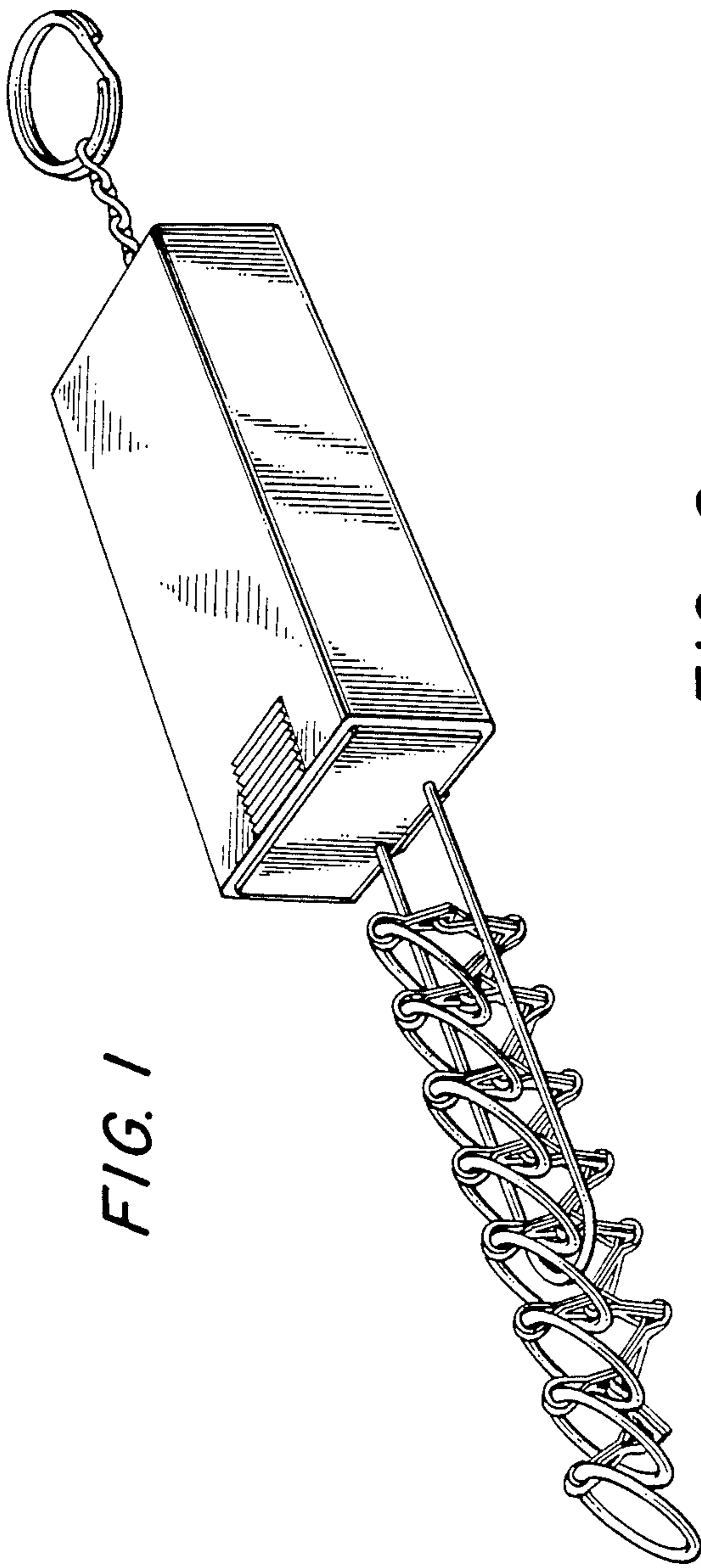


FIG. 2

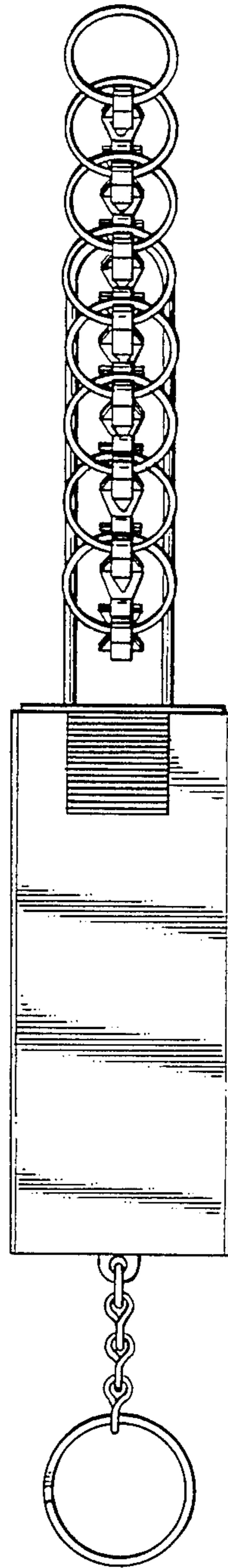


FIG. 3

