

[54] COLLECTING BASE FOR A MARBLE GAME RAMP

[75] Inventor: William J. Wichman, Glendora, Calif.

[73] Assignee: Discovery Toys, Inc., Pleasant Hill, Calif.

[**] Term: 14 Years

[21] Appl. No.: 741,315

[22] Filed: Jun. 4, 1985

[52] U.S. Cl. D21/19

[58] Field of Search D21/19, 59; 446/168

[56] References Cited

U.S. PATENT DOCUMENTS

- D. 208,789 10/1967 Kuhn .
- D. 230,291 2/1974 Karen .
- 2,838,870 6/1958 Morse .
- 3,946,516 3/1976 Wirth .

OTHER PUBLICATIONS

"Marble Magic", from Discovery Toys catalog (spring 1985).
 Kiddiecraft Super Helta Skelta, copied from toy box.
 Childcraft, "Tobaga", from Childcraft Fall 1984 catalog.
 Toys to Grow On, "Build & Roll Raceway", Fall 1984 catalog.
 Bear Creek, "Marble Race", Fall 1984 catalog.

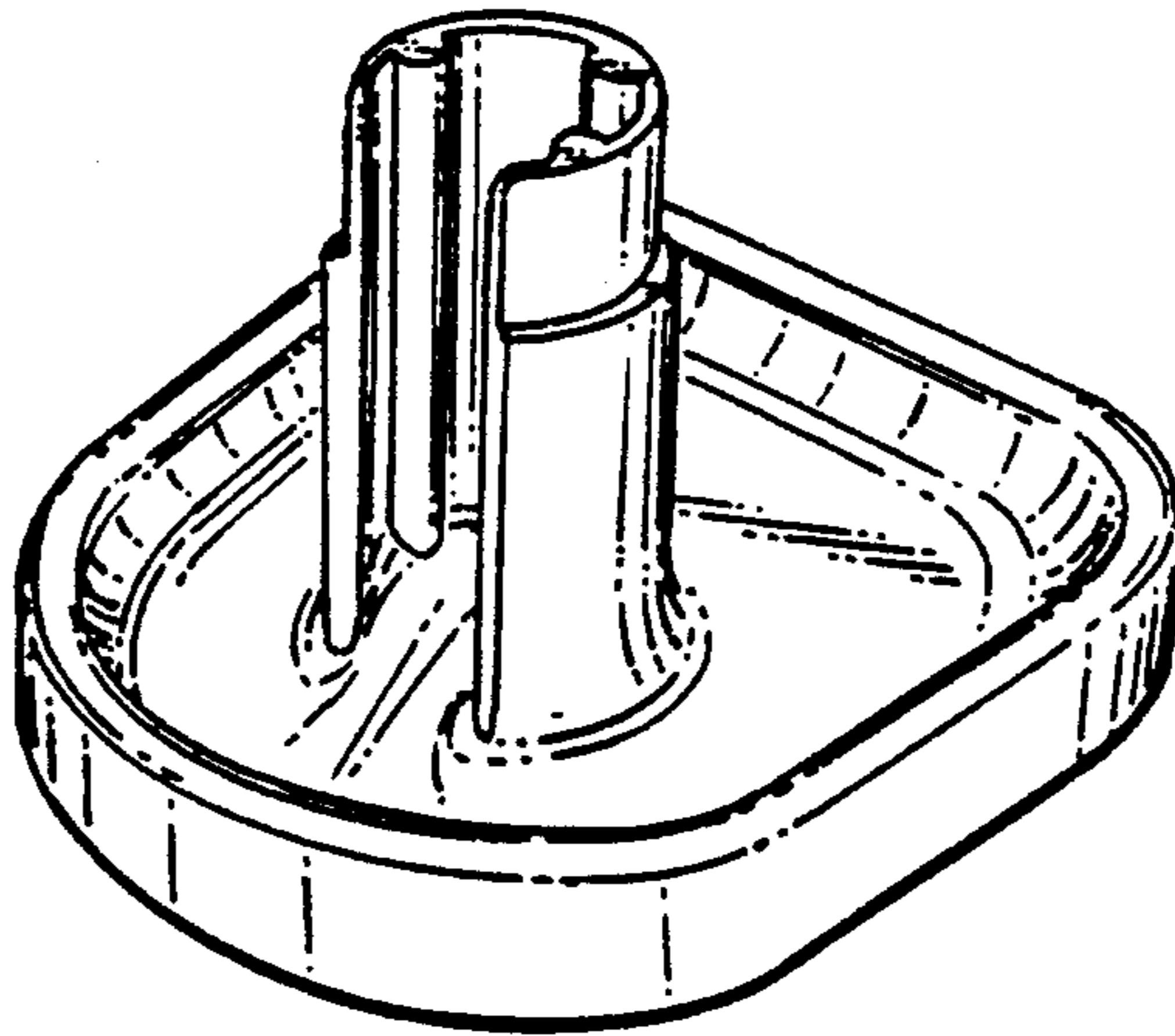
Primary Examiner—Melvin B. Feifer
 Attorney, Agent, or Firm—Townsend and Townsend

[57] CLAIM

The ornamental design for a collecting base for a marble game ramp, as shown and described.

DESCRIPTION

FIG. 1 is a perspective view of the collecting base for a marble game ramp showing my new design;
 FIG. 2 is a top plan view thereof;
 FIG. 3 is a front elevational view thereof;
 FIG. 4 is a right side elevational view thereof;
 FIG. 5 is a left side elevational view thereof;
 FIG. 6 is a rear elevational view thereof; and
 FIG. 7 is a bottom plan view thereof.



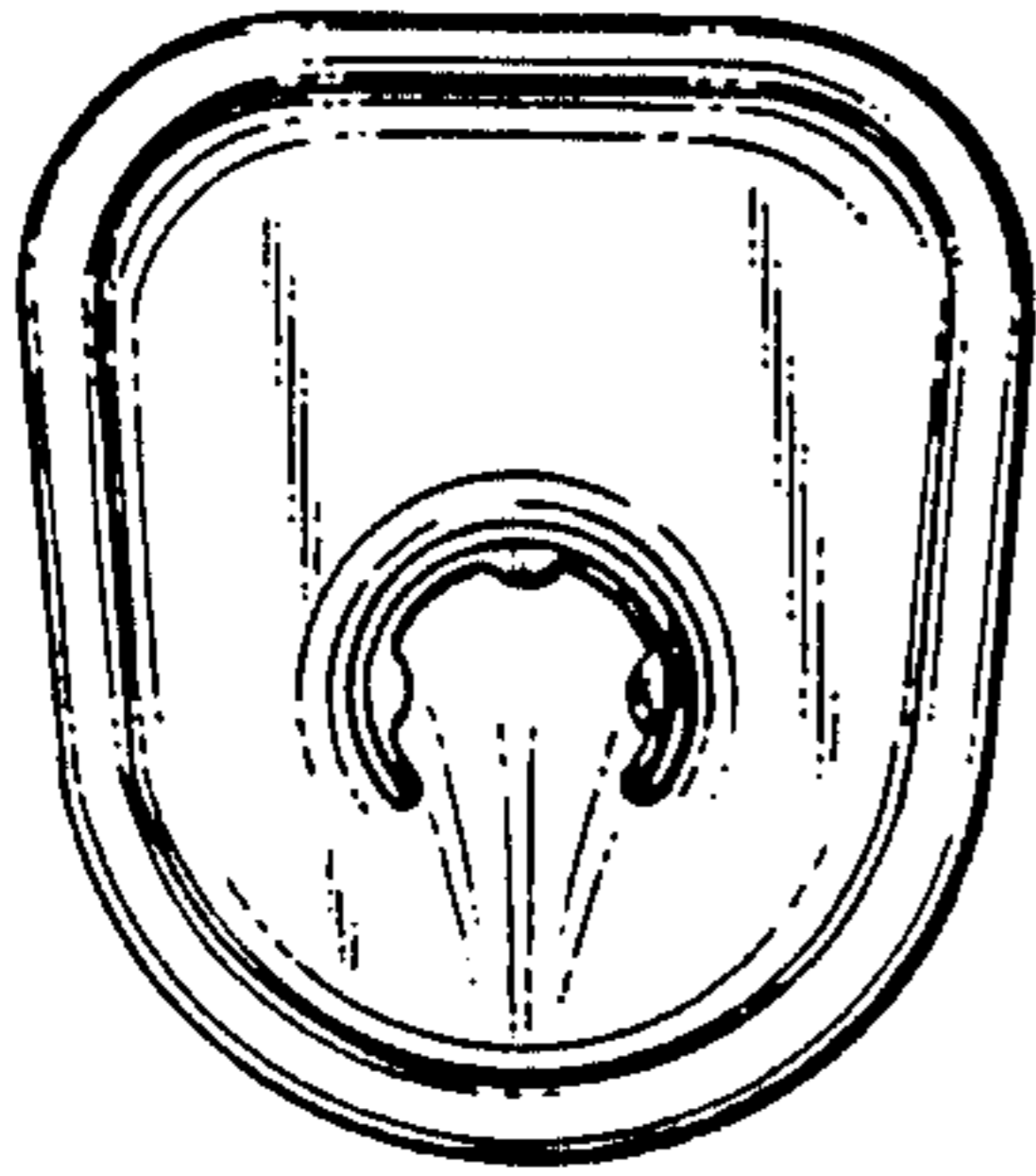


FIG._2.

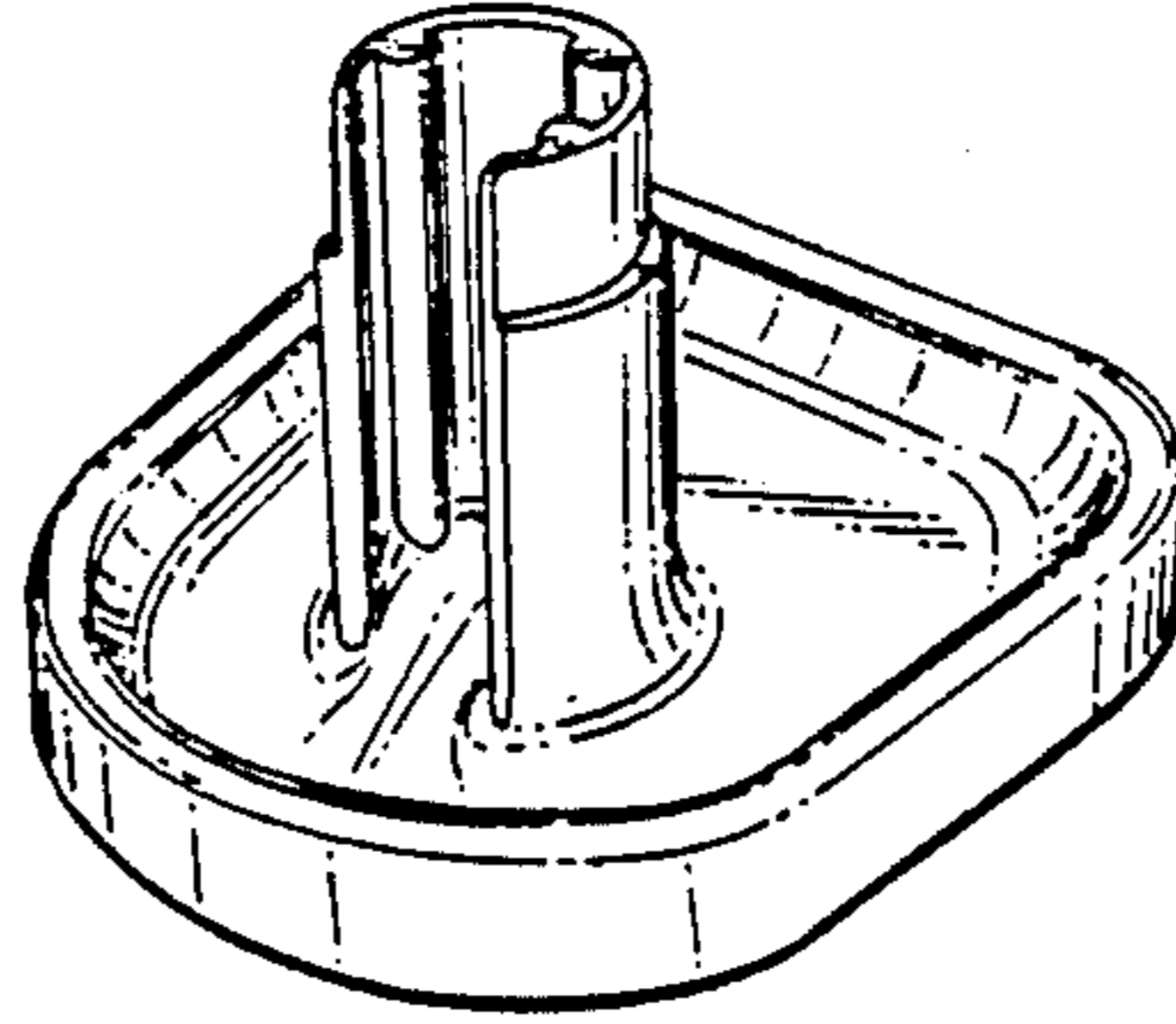


FIG._1.

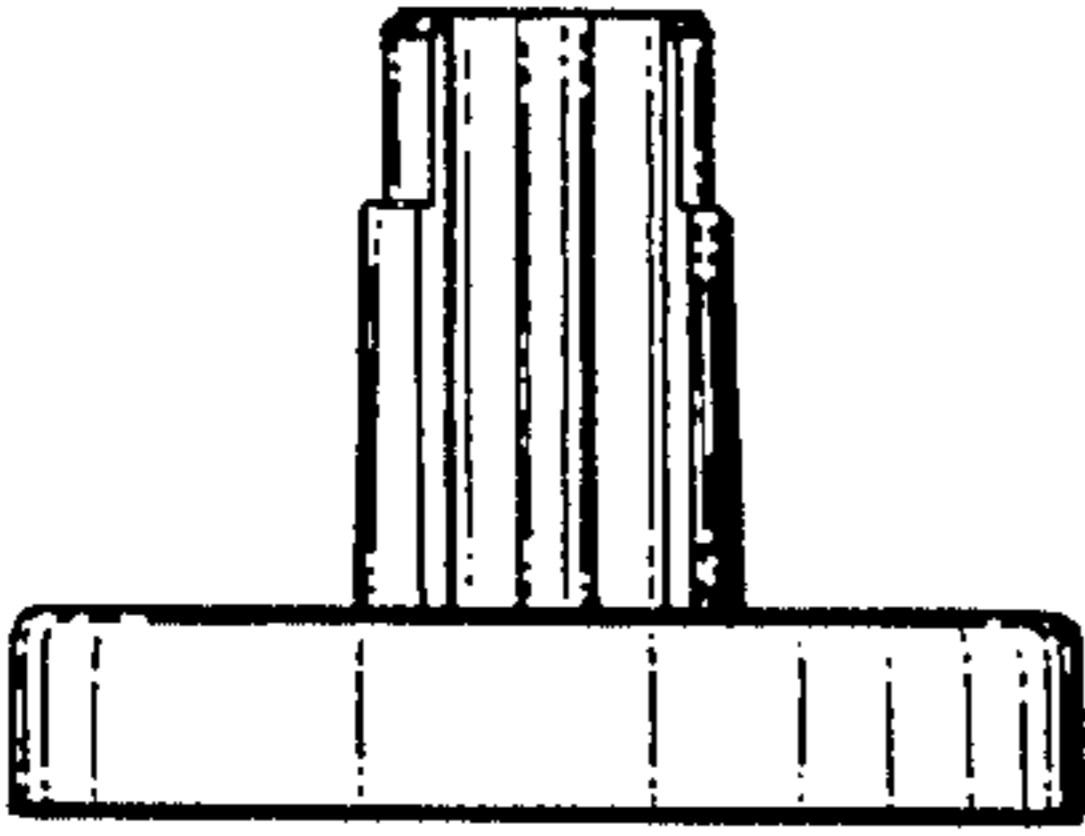


FIG._3.

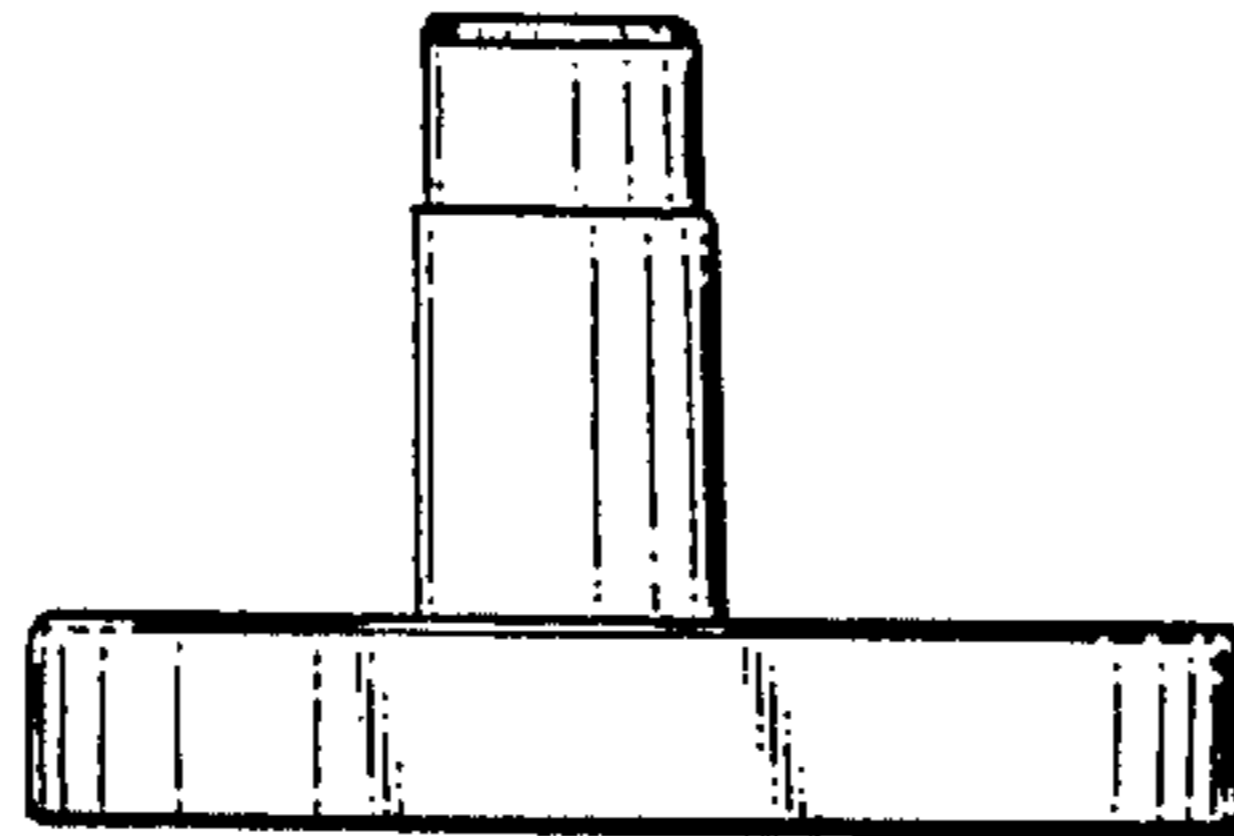


FIG._4.

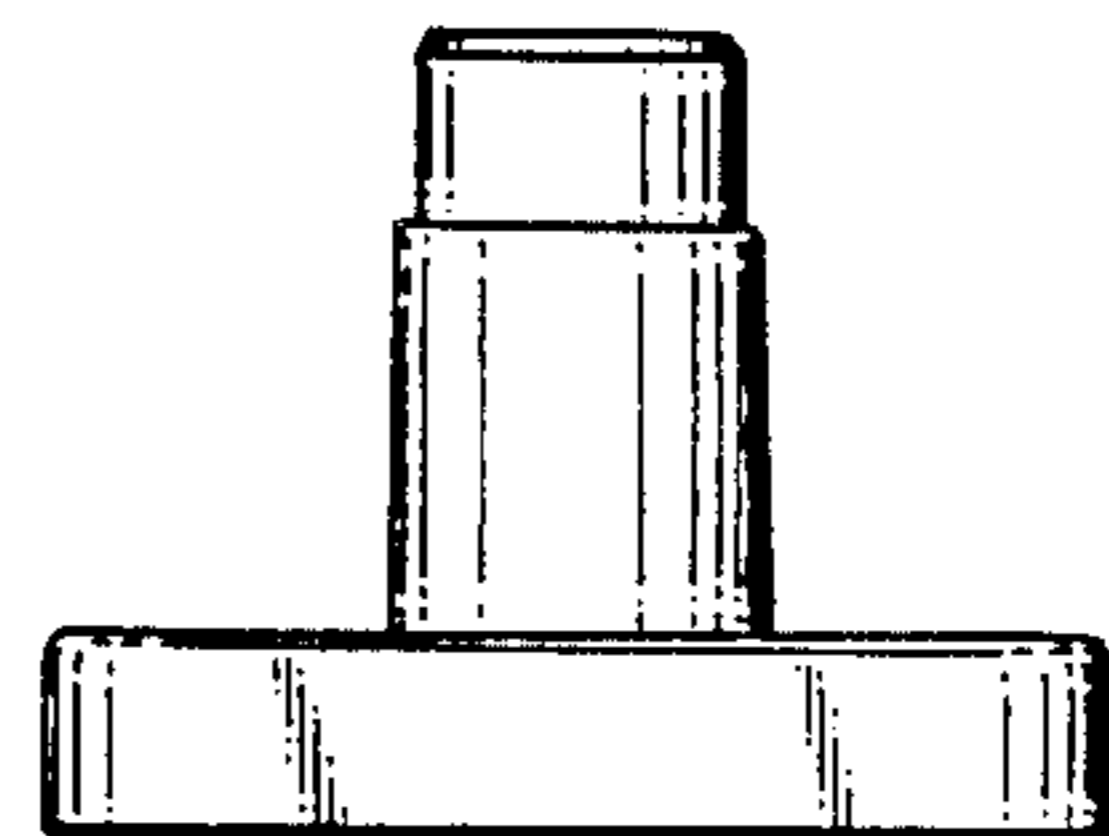


FIG._6.

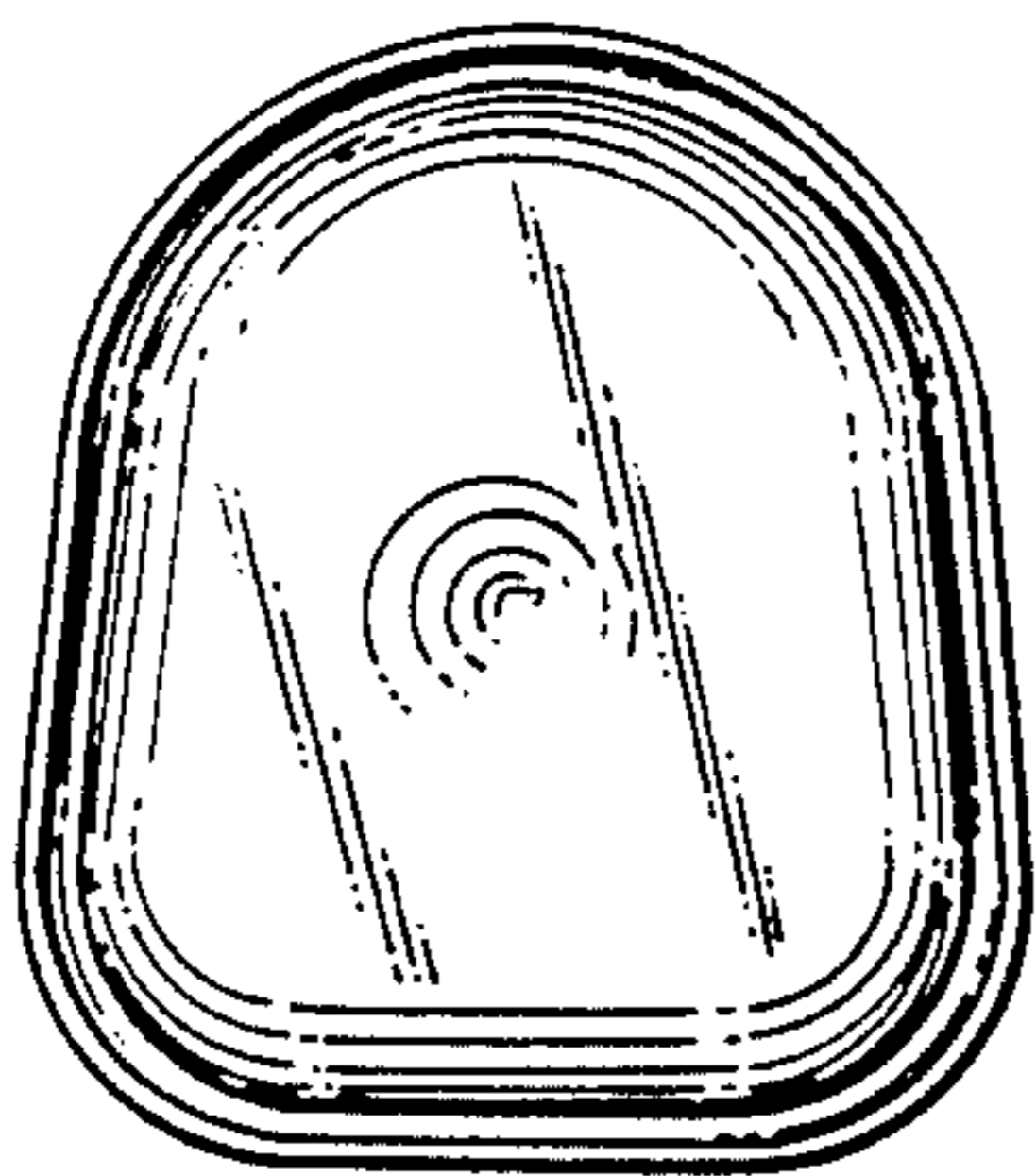


FIG._7.

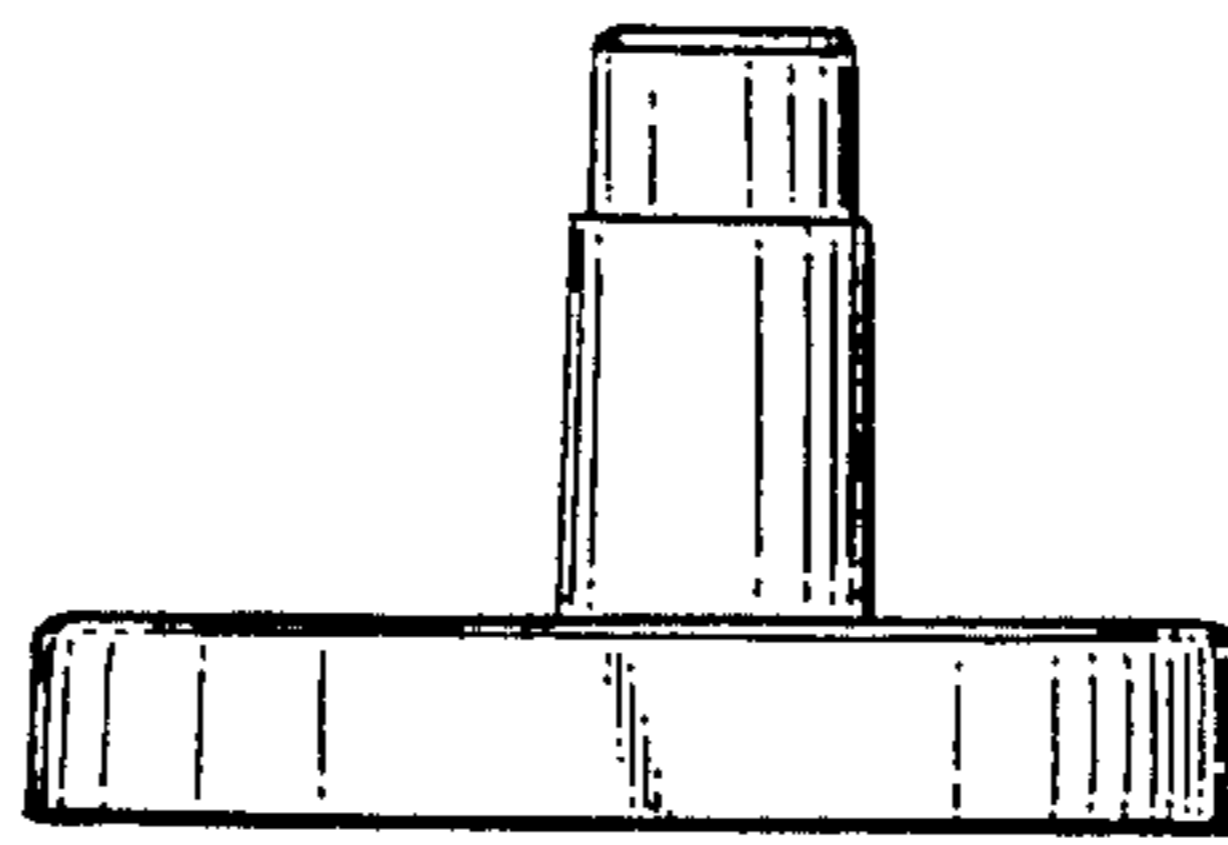


FIG._5.