

United States Patent [19]

Lothe

[11] Patent Number: Des. 294,957

[45] Date of Patent: ** Mar. 29, 1988

- [54] STACKABLE FILE TRAY
[75] Inventor: Arlan D. Lothe, Sun Prairie, Wis.
[73] Assignee: Evco Office Products, DeForest, Wis.
[**] Term: 14 Years
[21] Appl. No.: 766,574
[22] Filed: Aug. 19, 1985
[52] U.S. Cl. D19/92; D19/86
[58] Field of Search D19/75, 78, 86, 92;
211/126; 206/503, 425

- [56] **References Cited**
U.S. PATENT DOCUMENTS
D. 253,627 12/1979 Adamson D19/92
D. 259,428 6/1981 Macowski D19/92

- D. 261,904 11/1981 Polhemus D19/92
D. 274,066 5/1984 Evenson D19/92
D. 274,067 5/1984 Evenson D19/92

Primary Examiner—George P. Word
Attorney, Agent, or Firm—Isaksen, Lathrop, Esch, Hart & Clark

[57] **CLAIM**

The ornamental design for a stackable file tray, as shown and described.

DESCRIPTION

FIG. 1 is a top front perspective view of a stackable file tray, showing my new design;
FIG. 2 is a bottom rear perspective view thereof;
FIG. 3 is a top plan view thereof;
FIG. 4 is a rear elevational view thereof; and,
FIG. 5 is a bottom plan view thereof.

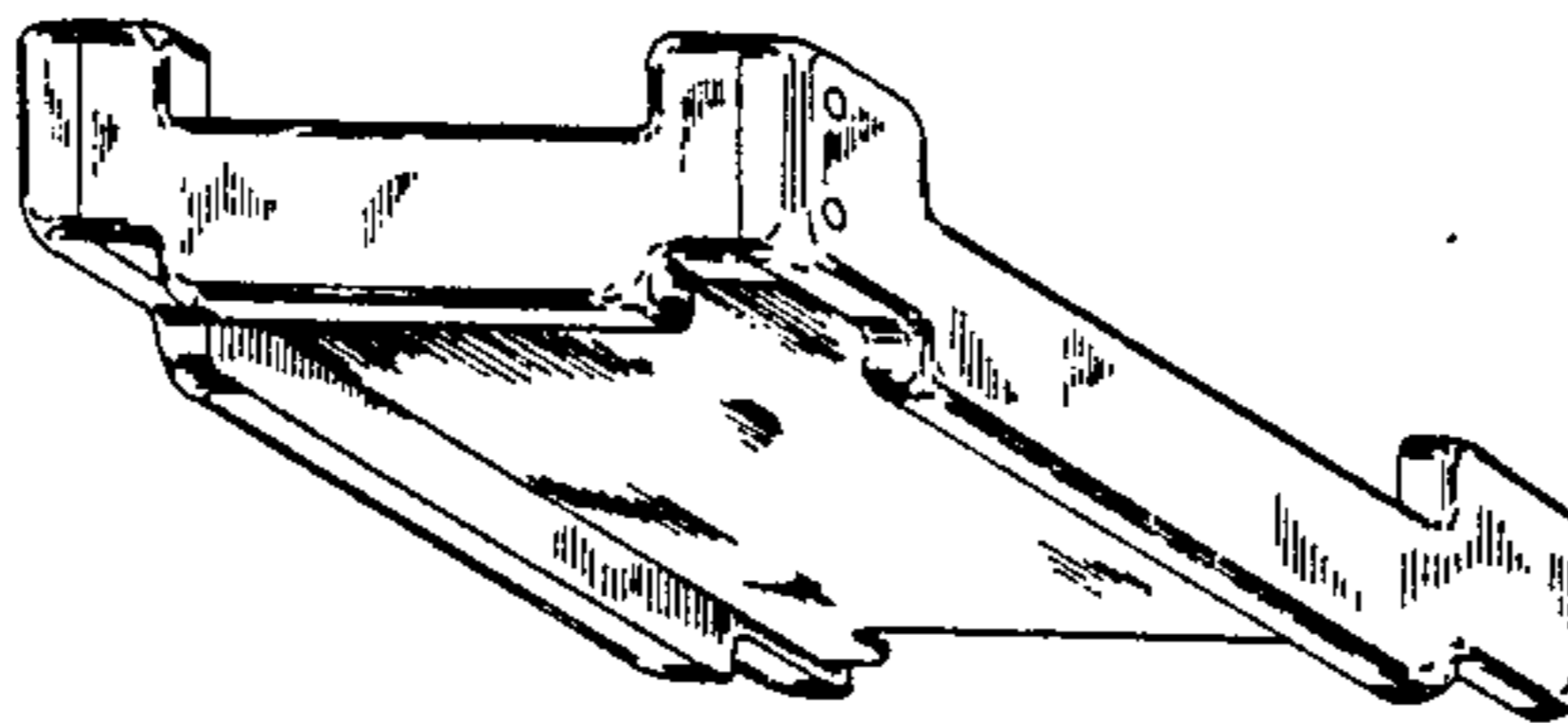
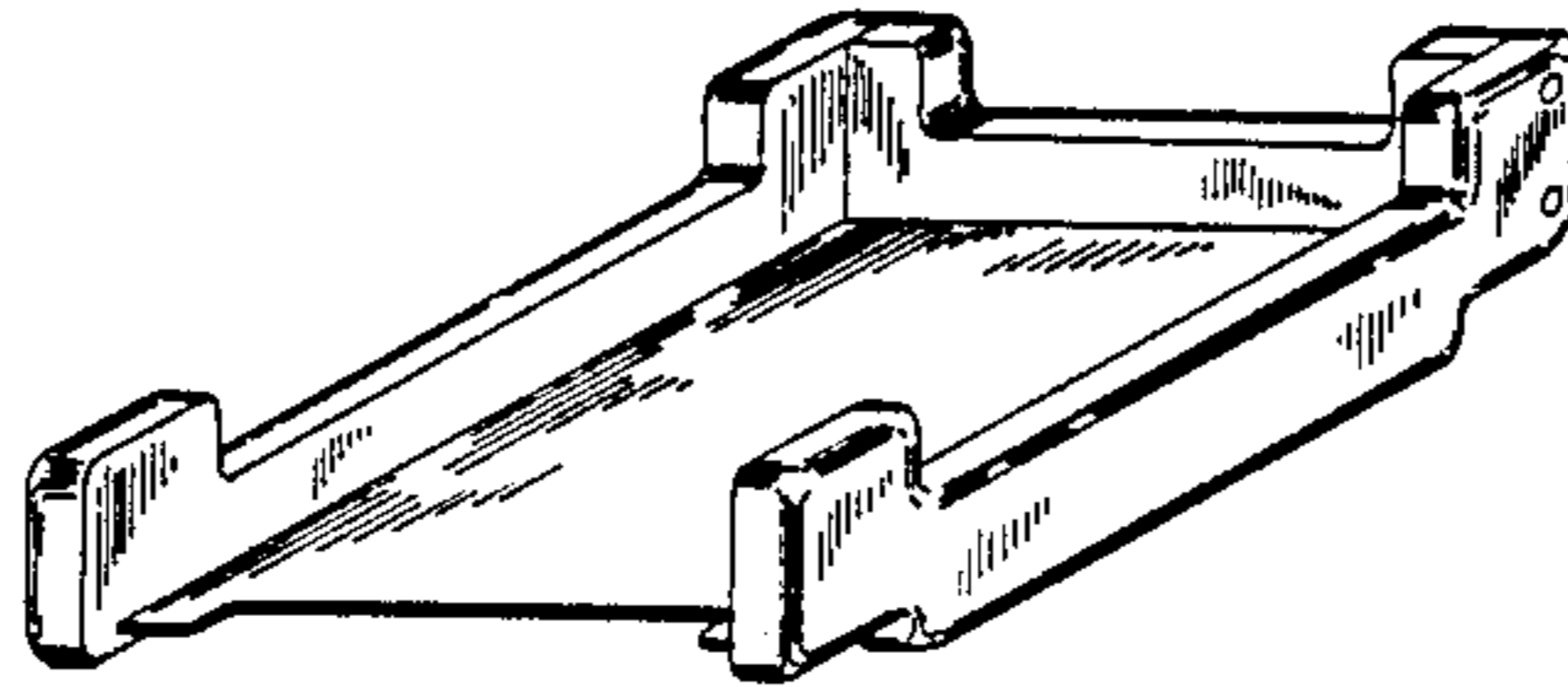


Fig 1

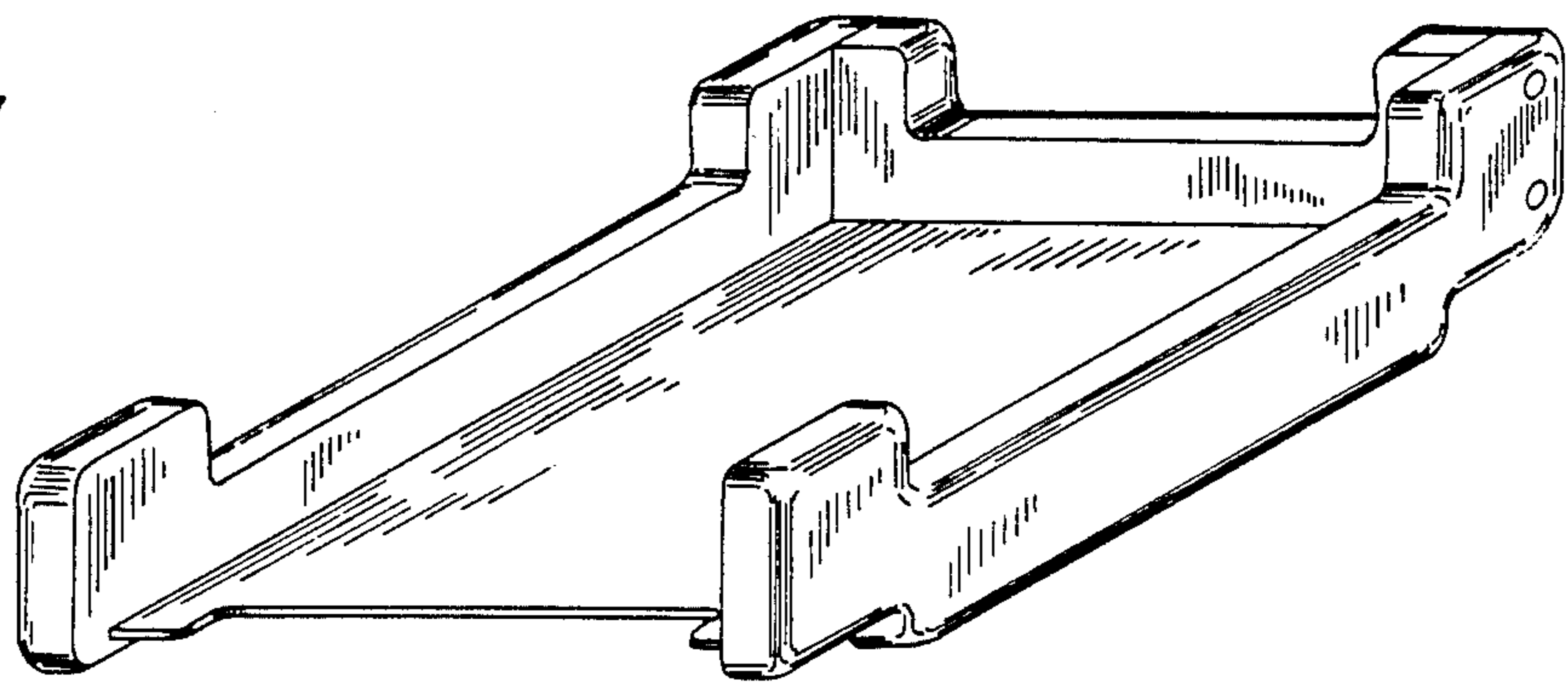


Fig 2

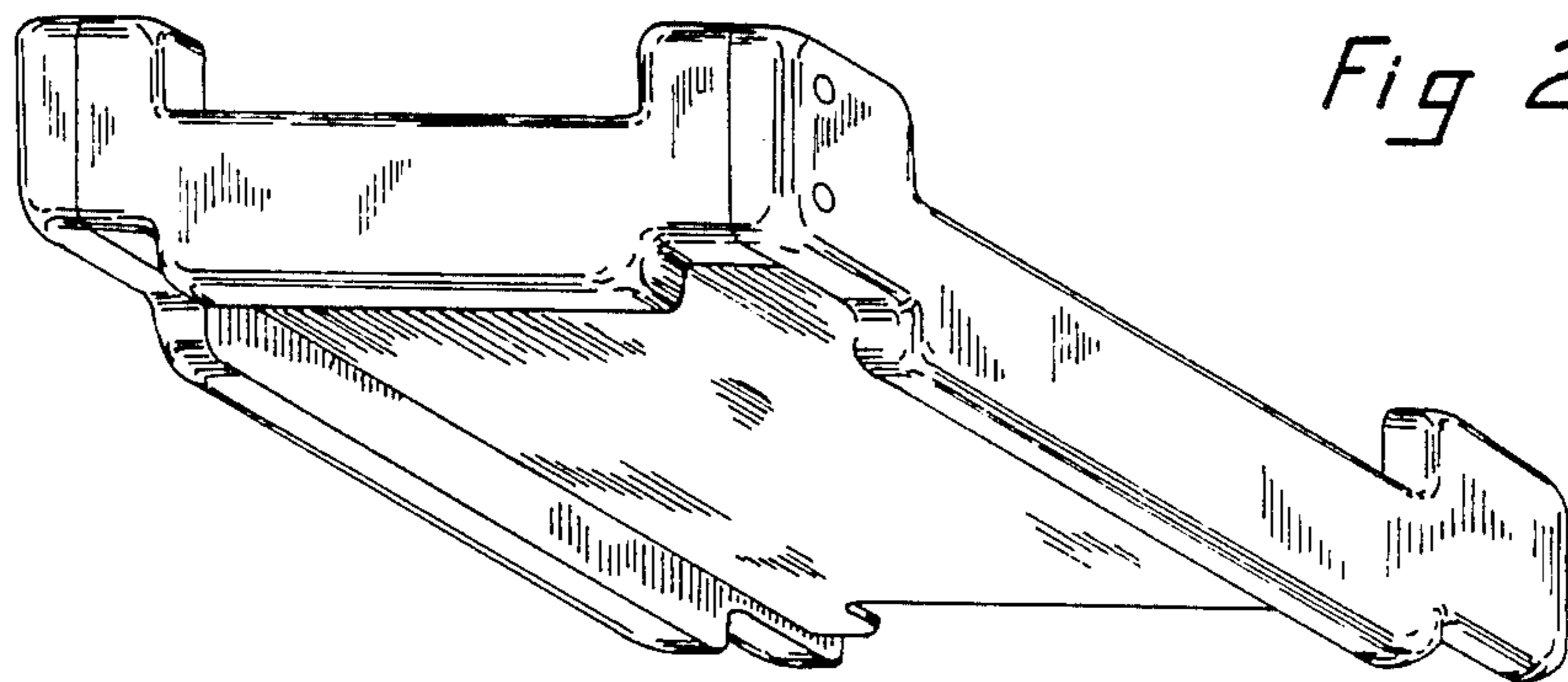


Fig 3

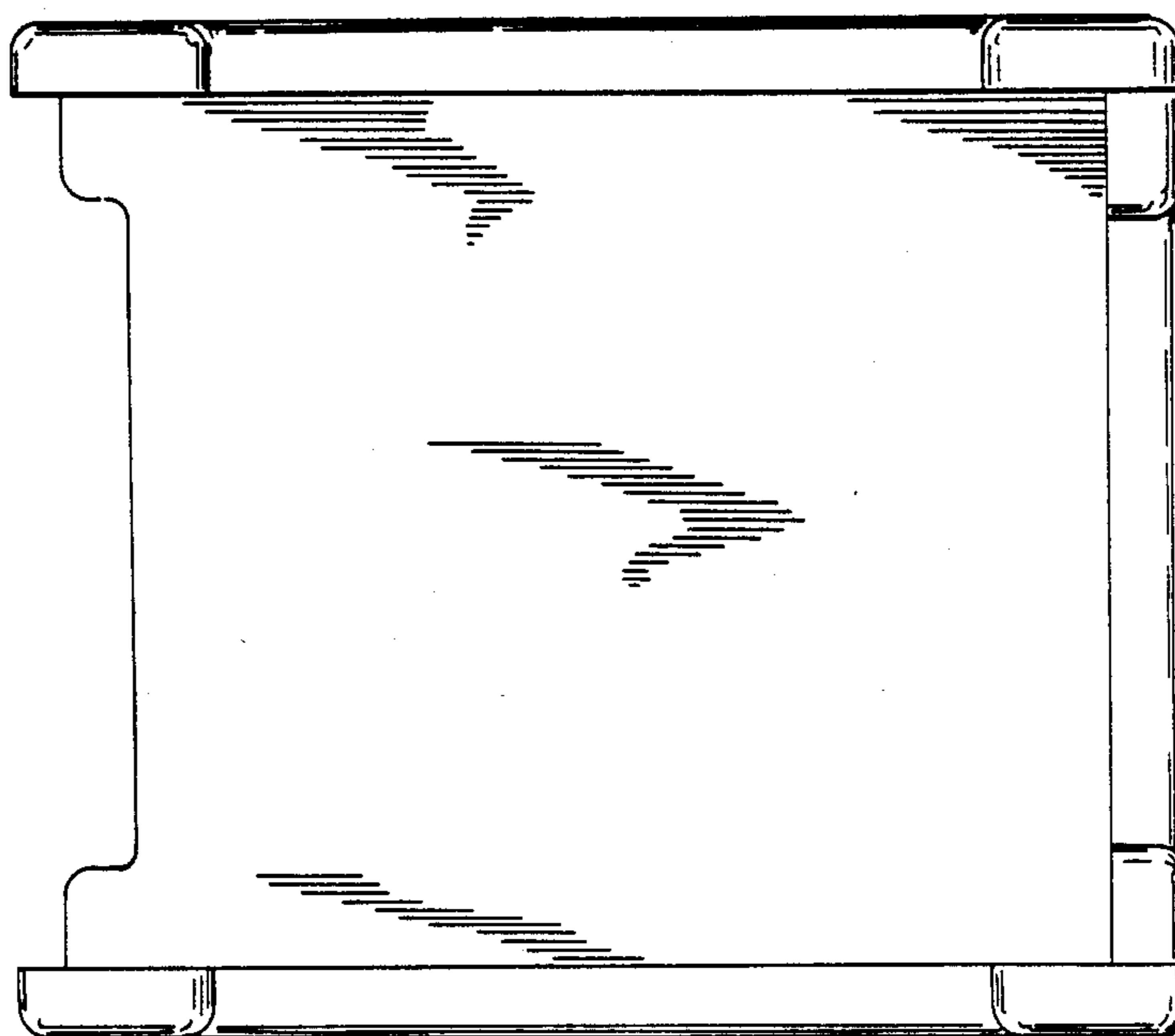


Fig 4

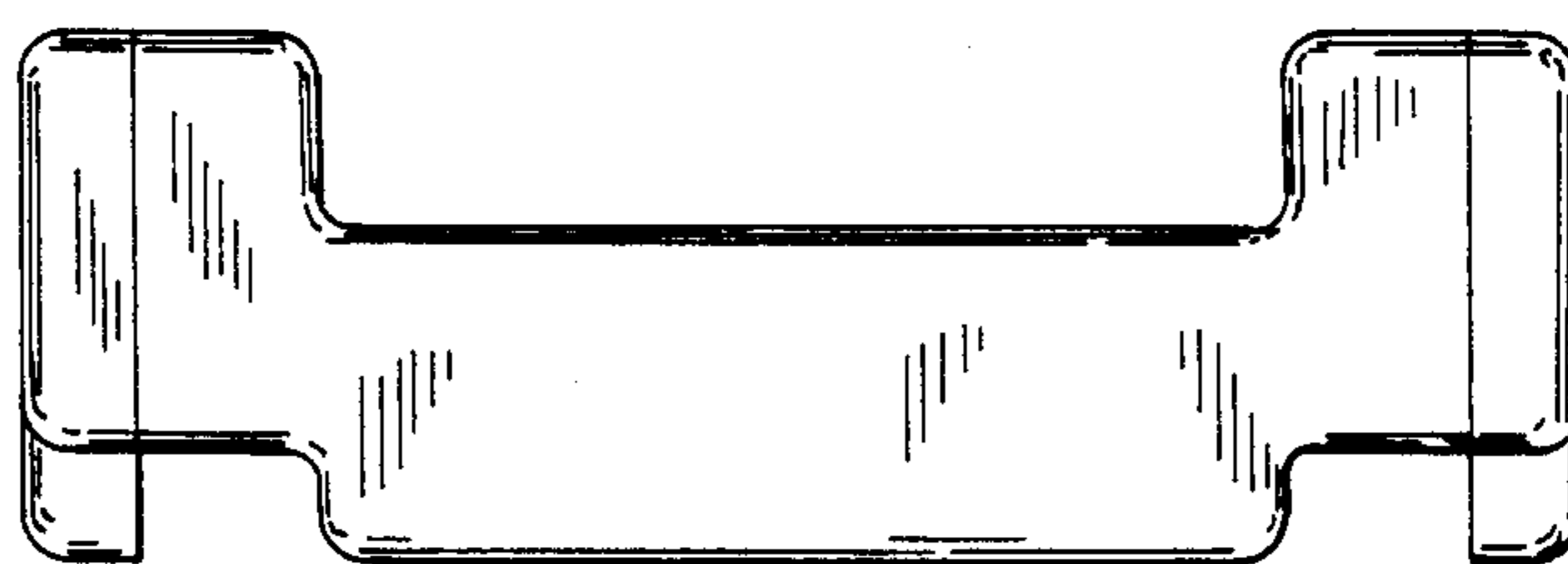


Fig 5

