

[54] COMBINED POSTAL STAMP DISPENSER AND MOISTENER

[75] Inventor: Börje Ragnerstam, Vällingby, Sweden

[73] Assignee: Postverkets Industrier, Ulvsunda, Sweden

[\*\*] Term: 14 Years

[21] Appl. No.: 688,487

[22] Filed: Jan. 3, 1985

[30] Foreign Application Priority Data

Jul. 3, 1984 [SE] Sweden ..... 84-1964

[52] U.S. Cl. .... D19/67; D19/71

[58] Field of Search ..... D19/66-71; 225/89, 56, 59

[56] References Cited

U.S. PATENT DOCUMENTS

- D. 150,160 7/1948 Salsbury ..... D19/69
- D. 175,066 7/1955 Emmert ..... D19/69
- D. 178,713 9/1956 Williams et al. .... D19/69

- D. 179,091 10/1956 Pangburn ..... D19/69
- D. 201,766 7/1965 Perkins ..... D19/67
- D. 234,877 4/1975 Rose ..... D19/69
- D. 283,631 4/1986 Dawson et al. .... D19/69

Primary Examiner—George P. Word

[57] CLAIM

The ornamental design for a combined postal stamp dispenser and moistener, substantially as shown and described.

DESCRIPTION

FIG. 1 is a perspective view of a combined postal stamp dispenser and moistener, showing my new design;  
 FIG. 2 is a rear perspective view thereof;  
 FIG. 3 is an inverted bottom perspective view thereof, with the lid removed;  
 FIG. 4 is a perspective view thereof with the pivotable stamp guide in an open position and the lid removed;  
 FIG. 5 is a perspective view with the pivotable stamp guide closed and the lid removed;  
 FIG. 6 is a perspective view of the exterior of the lid; and,  
 FIG. 7 is a perspective view of the interior of the lid.

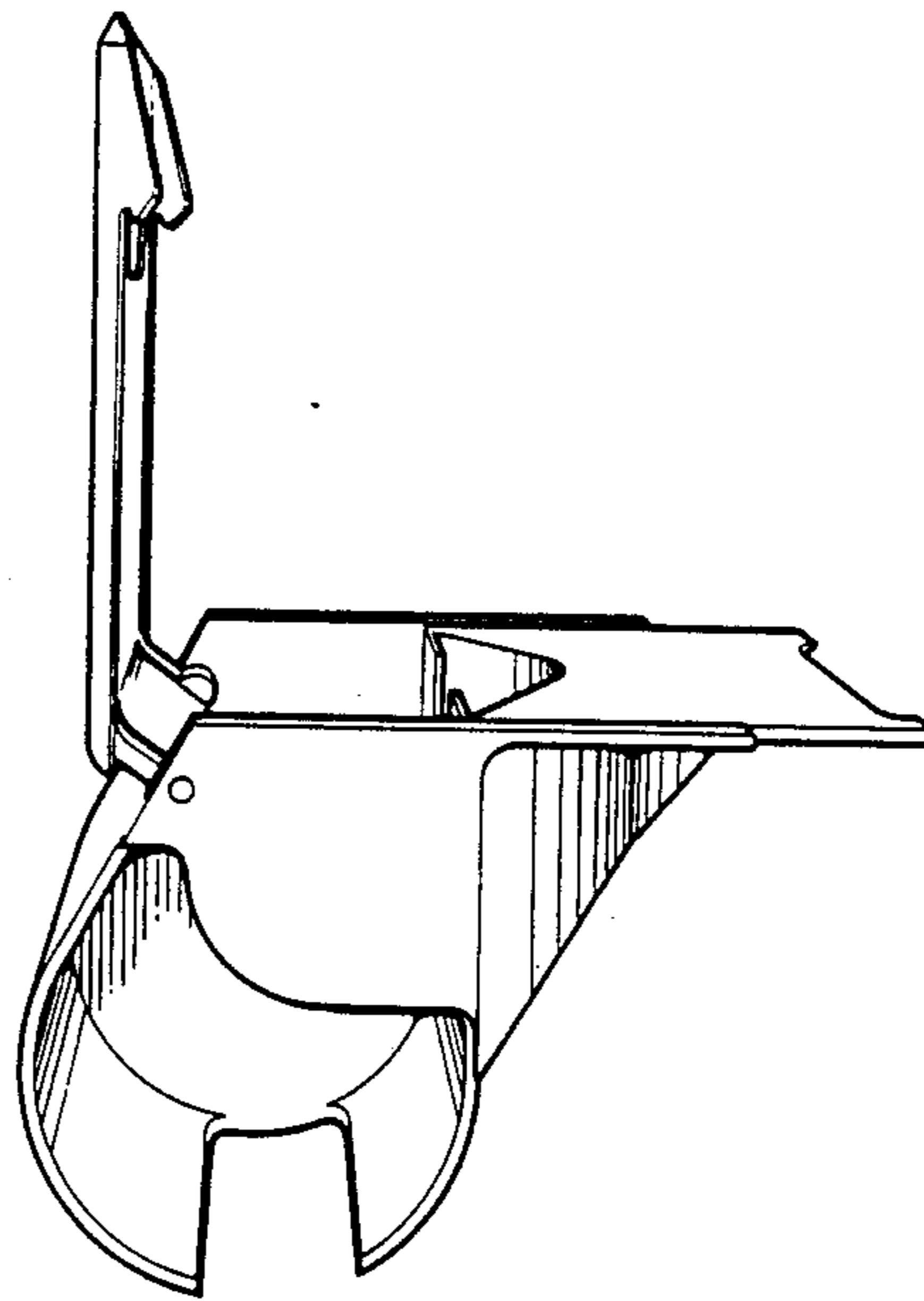
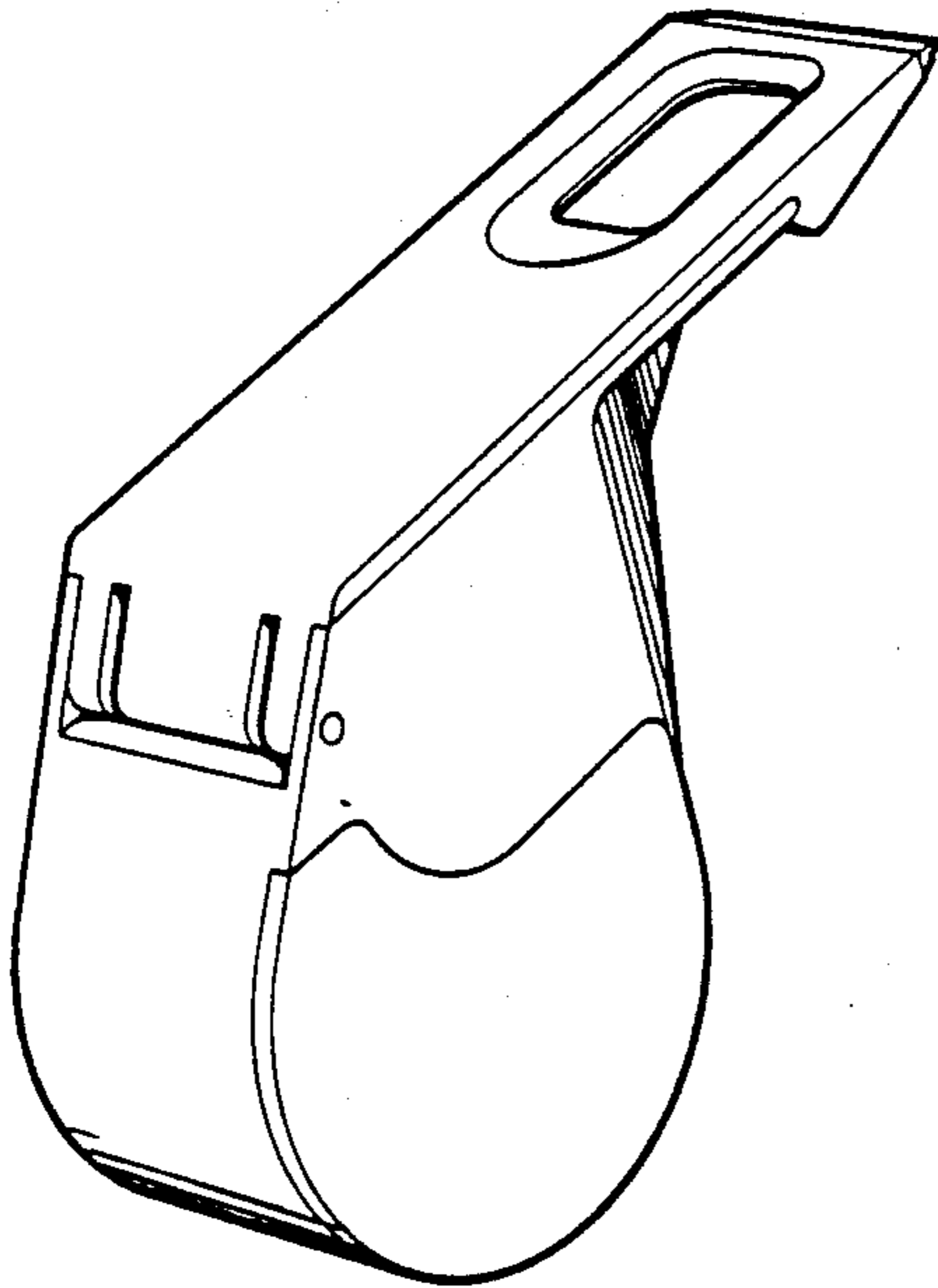


FIG 1

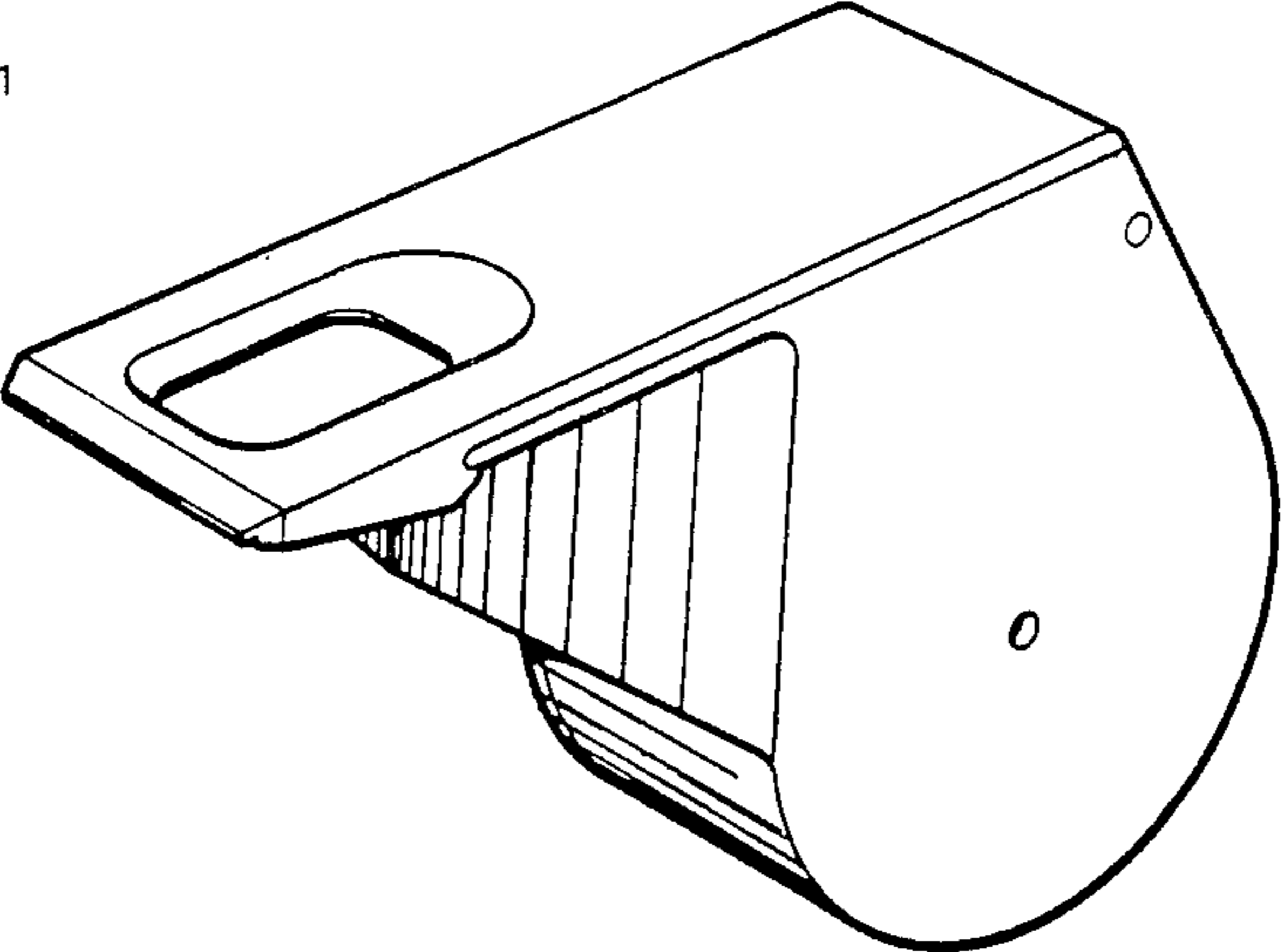


FIG 2

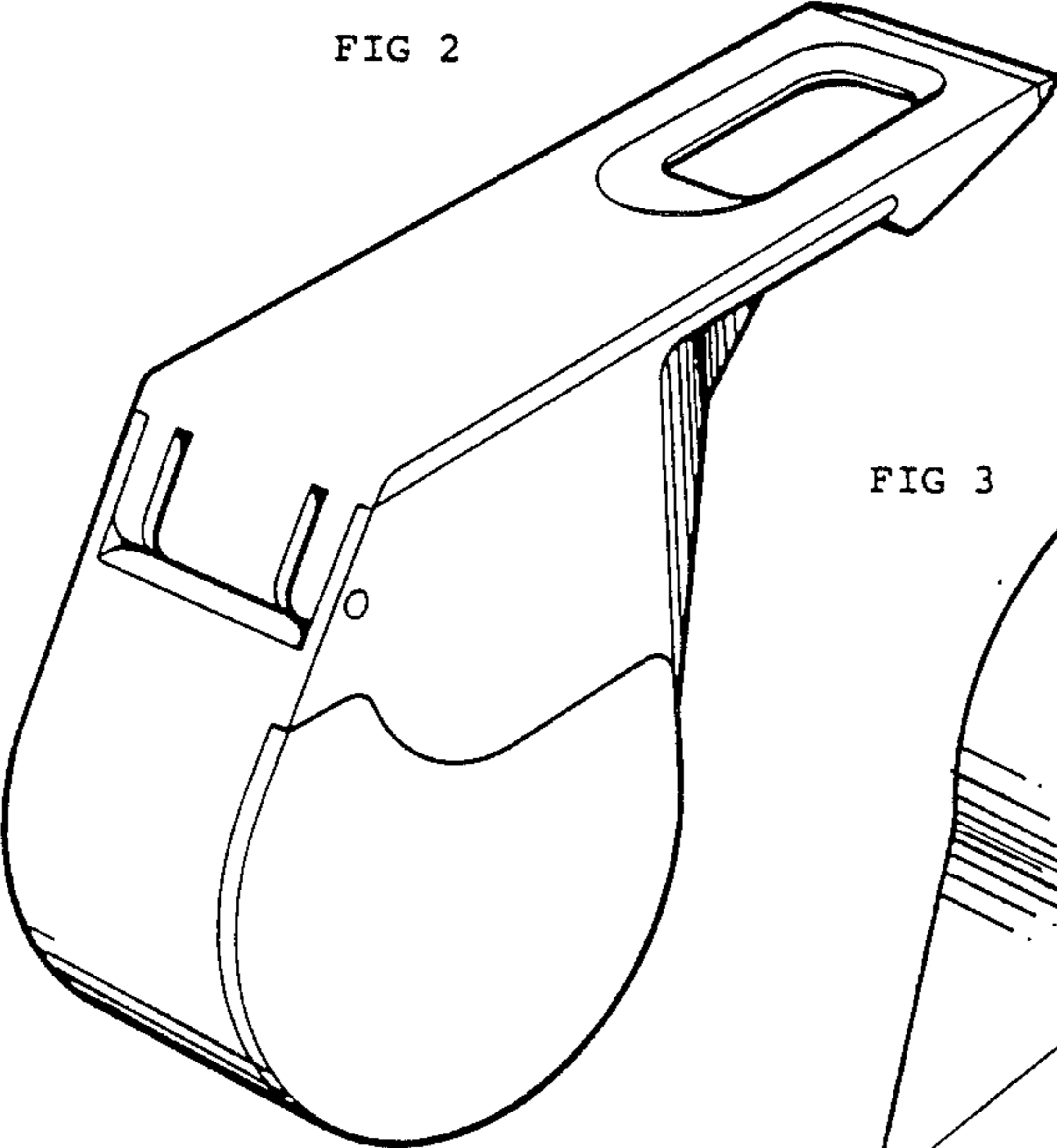


FIG 3

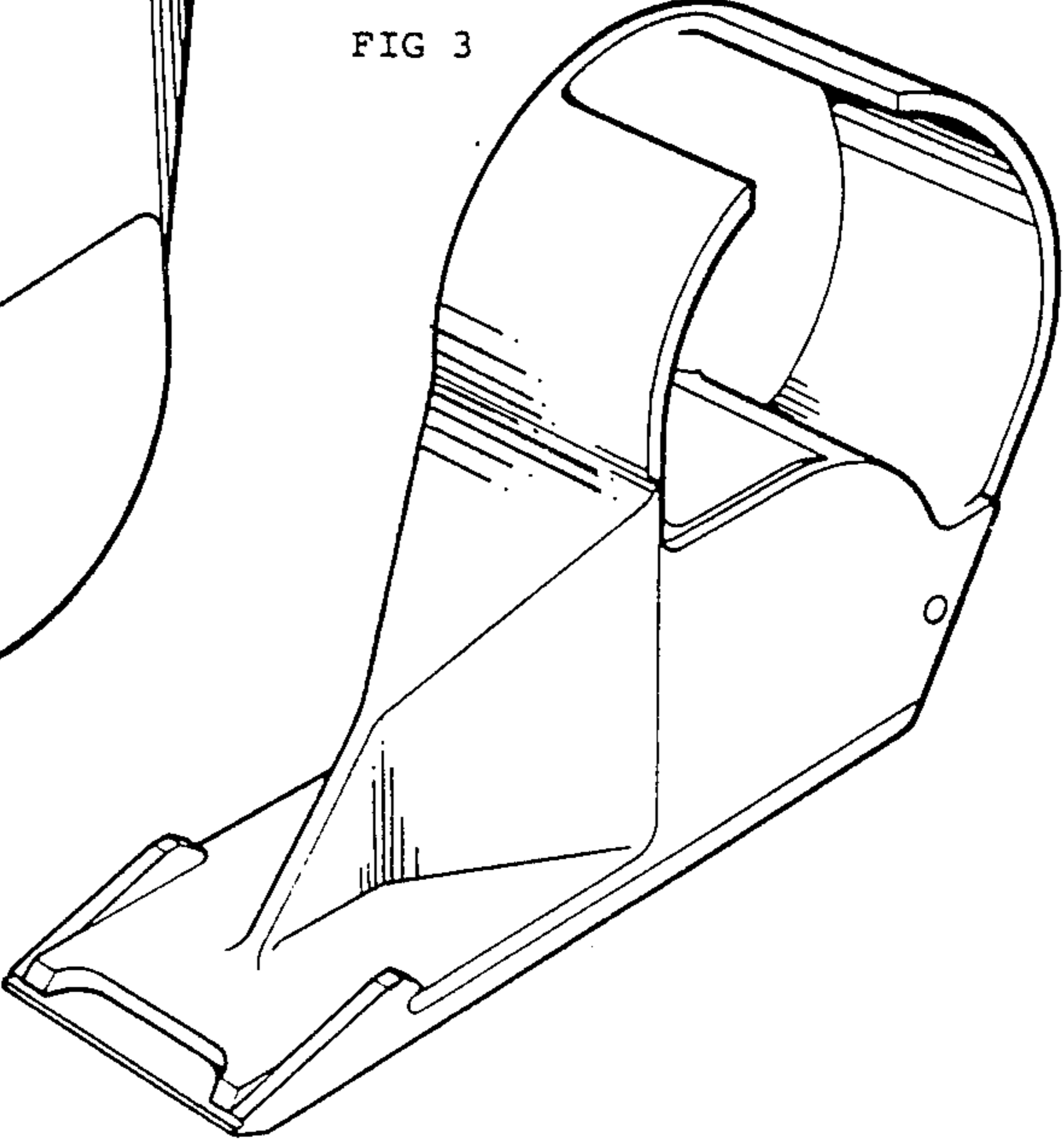


FIG 4

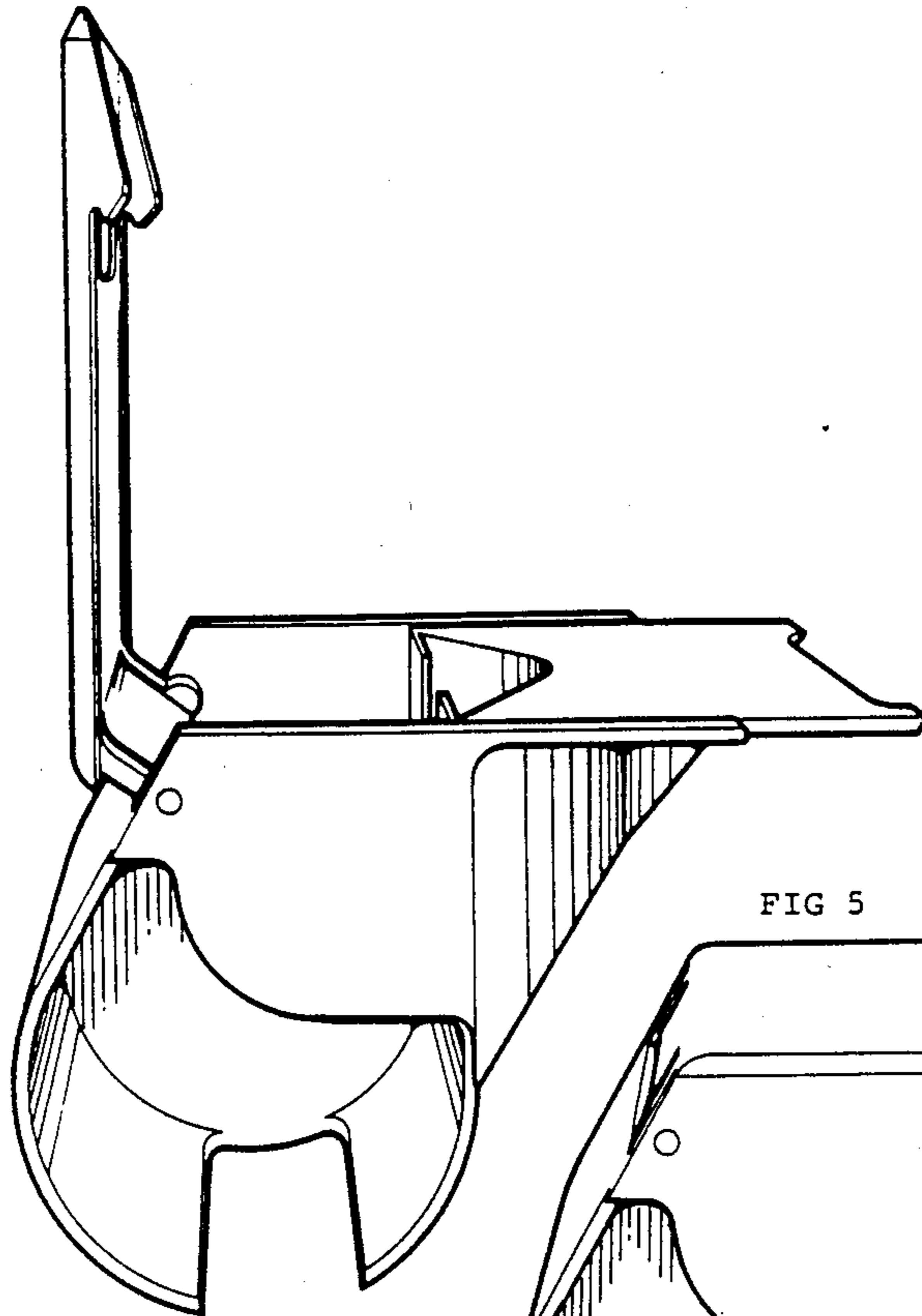


FIG 5

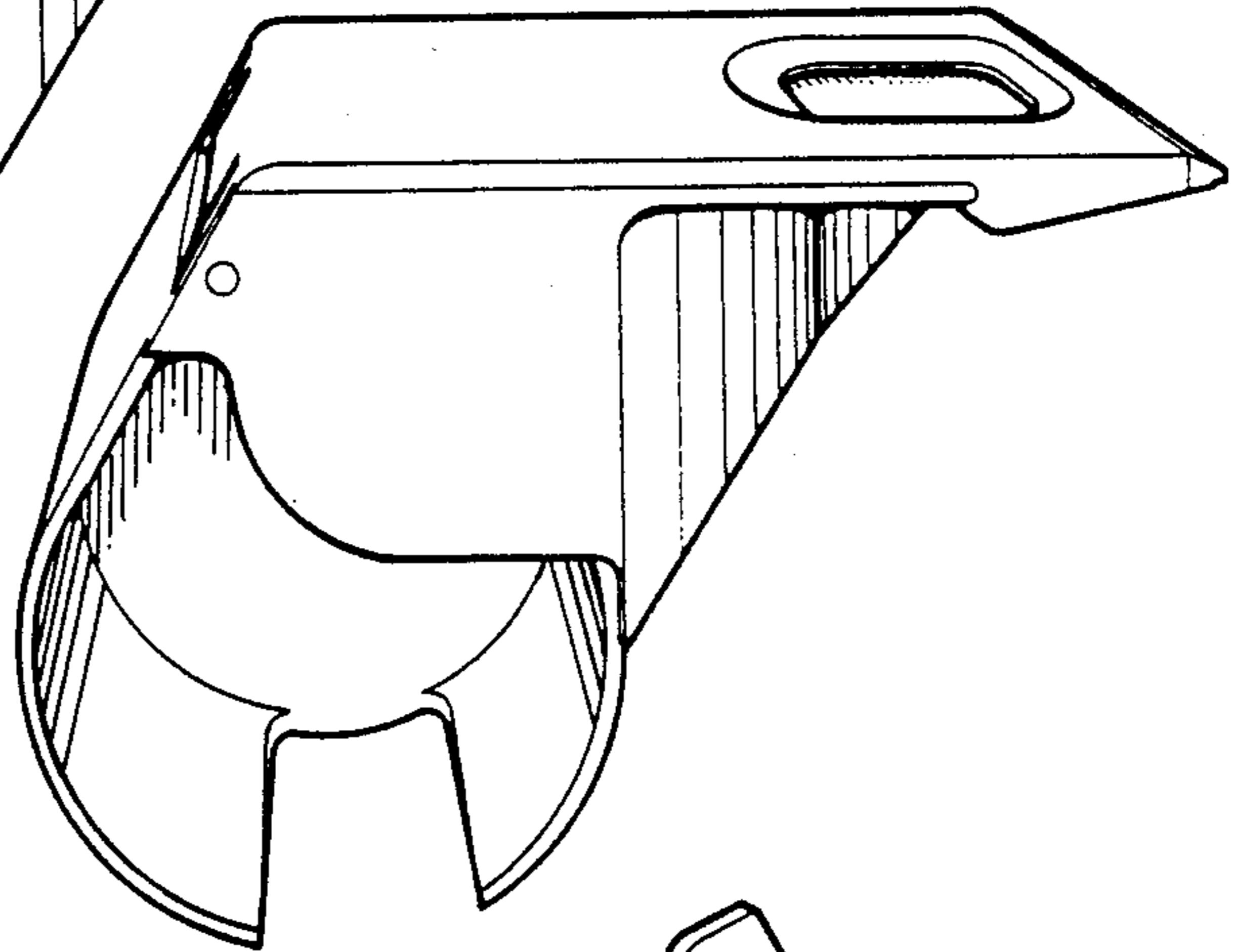


FIG 6

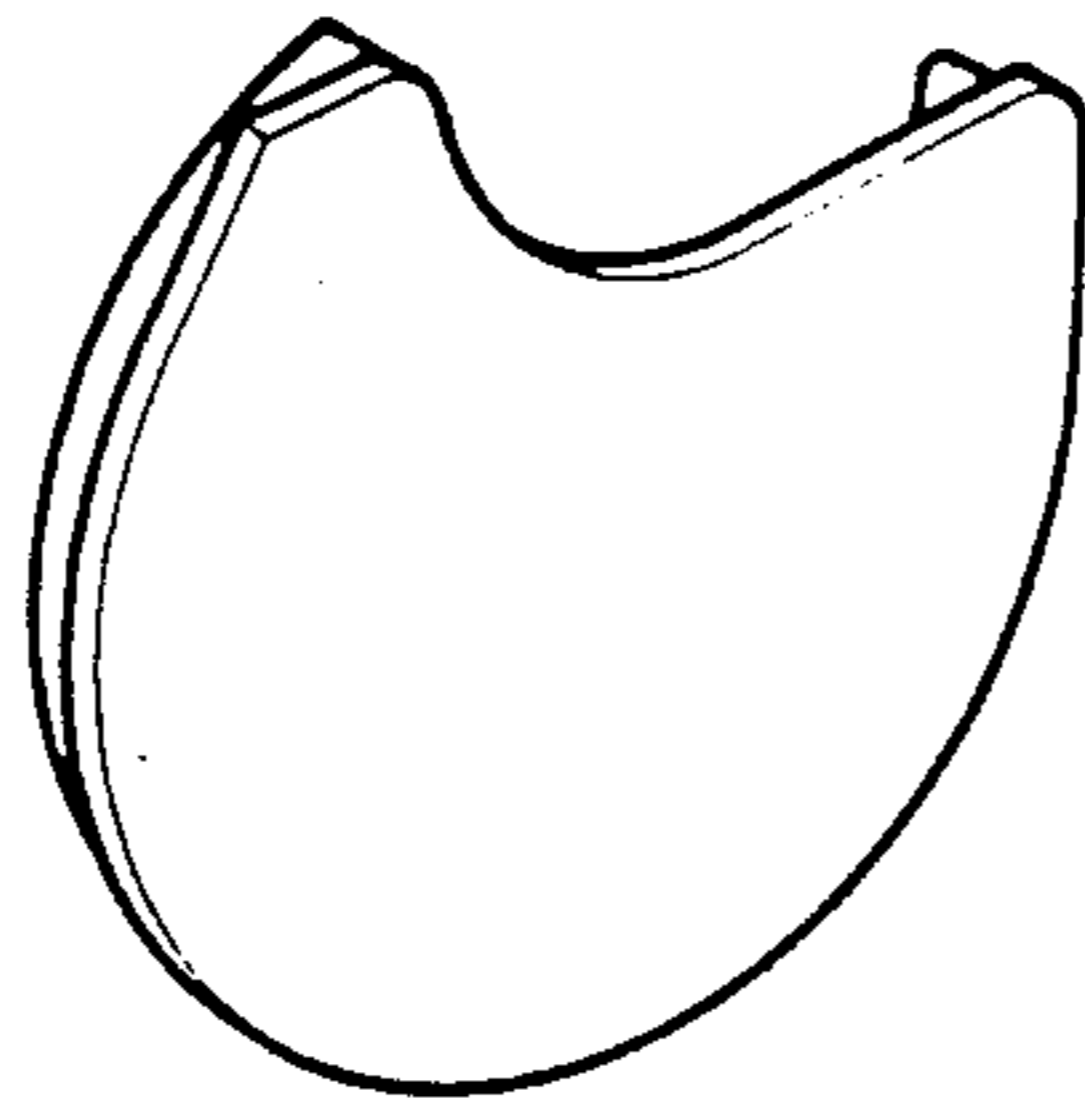


FIG 7

