

United States Patent [19]

Nagahiro

[11] Patent Number: Des. 294,954

[45] Date of Patent: ** Mar. 29, 1988

[54] SHEET PAPER FEEDER FOR PRINTER

[75] Inventor: Hiromitsu Nagahiro, Ube, Japan

[73] Assignee: Citizen Watch Co., Ltd., Tokyo, Japan

[**] Term: 14 Years

[21] Appl. No.: 805,547

[22] Filed: Nov. 18, 1985

[30] Foreign Application Priority Data

Aug. 7, 1985 [JP] Japan 60-33465
[52] U.S. Cl. D18/22
[58] Field of Search D18/12, 13, 22, 23;
D14/107, 111, 114; 400/689-694, 625, 629, 636,
638, 639, 641, 646, 647, 647.1

[56] References Cited

U.S. PATENT DOCUMENTS

D. 261,646 11/1981 Stirling D14/114

4,493,573 1/1985 Hashimoto et al. 400/690.4 X

FOREIGN PATENT DOCUMENTS

73879 4/1985 Japan 400/689

Primary Examiner—Louis S. Zarfes

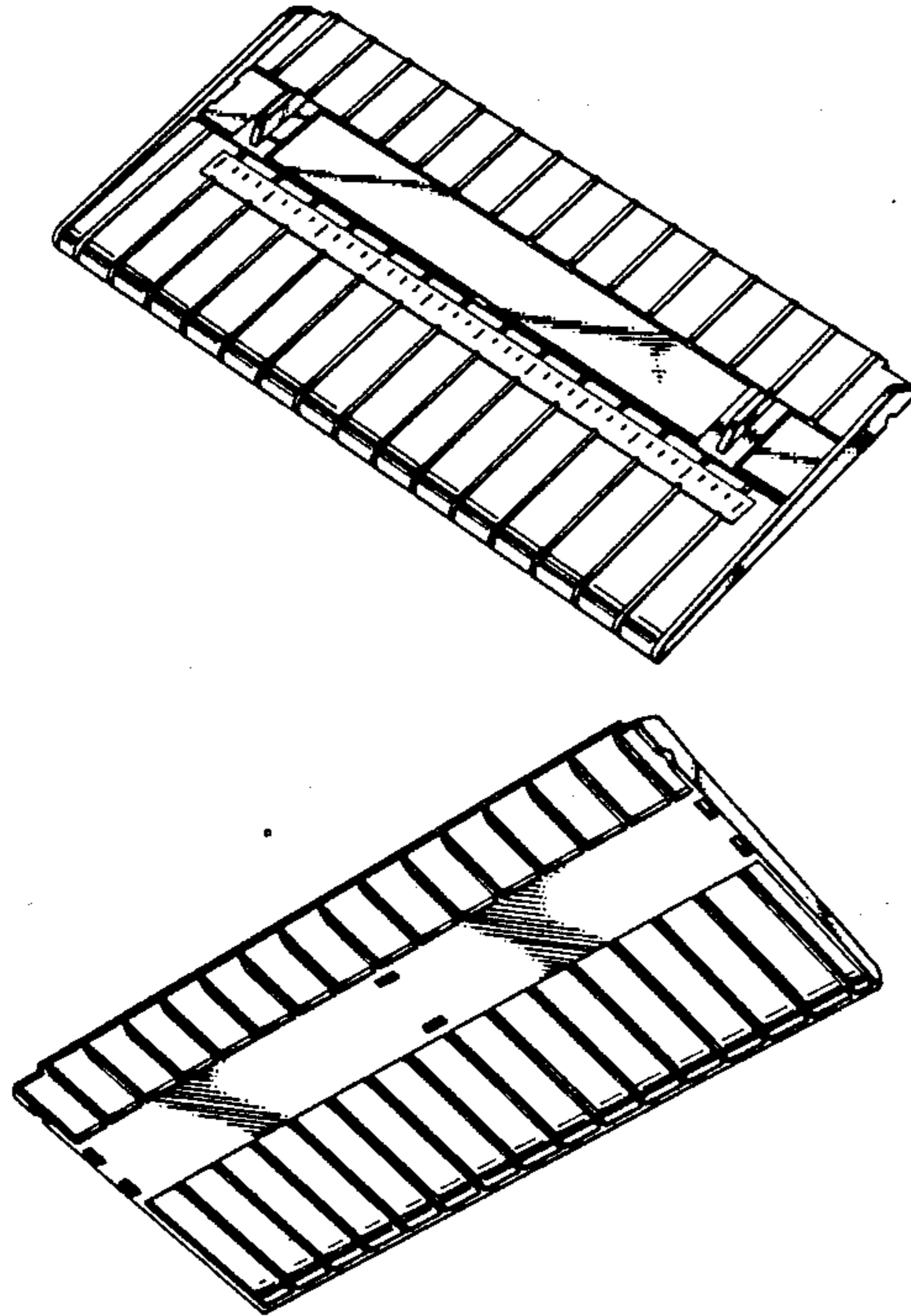
Attorney, Agent, or Firm—Cushman, Darby & Cushman

[57] CLAIM

The ornamental design for a sheet paper feeder for printer, as shown and described.

DESCRIPTION

FIG. 1 is a top, rear and left side perspective view of a sheet paper feeder for printer showing my new design; FIG. 2 is a bottom, front and right side perspective view thereof; FIG. 3 is a front elevational view thereof; FIG. 4 is a rear elevational view thereof; FIG. 5 is a top plan view thereof; FIG. 6 is a bottom plan view thereof; and FIG. 7 is a left side elevational view thereof.



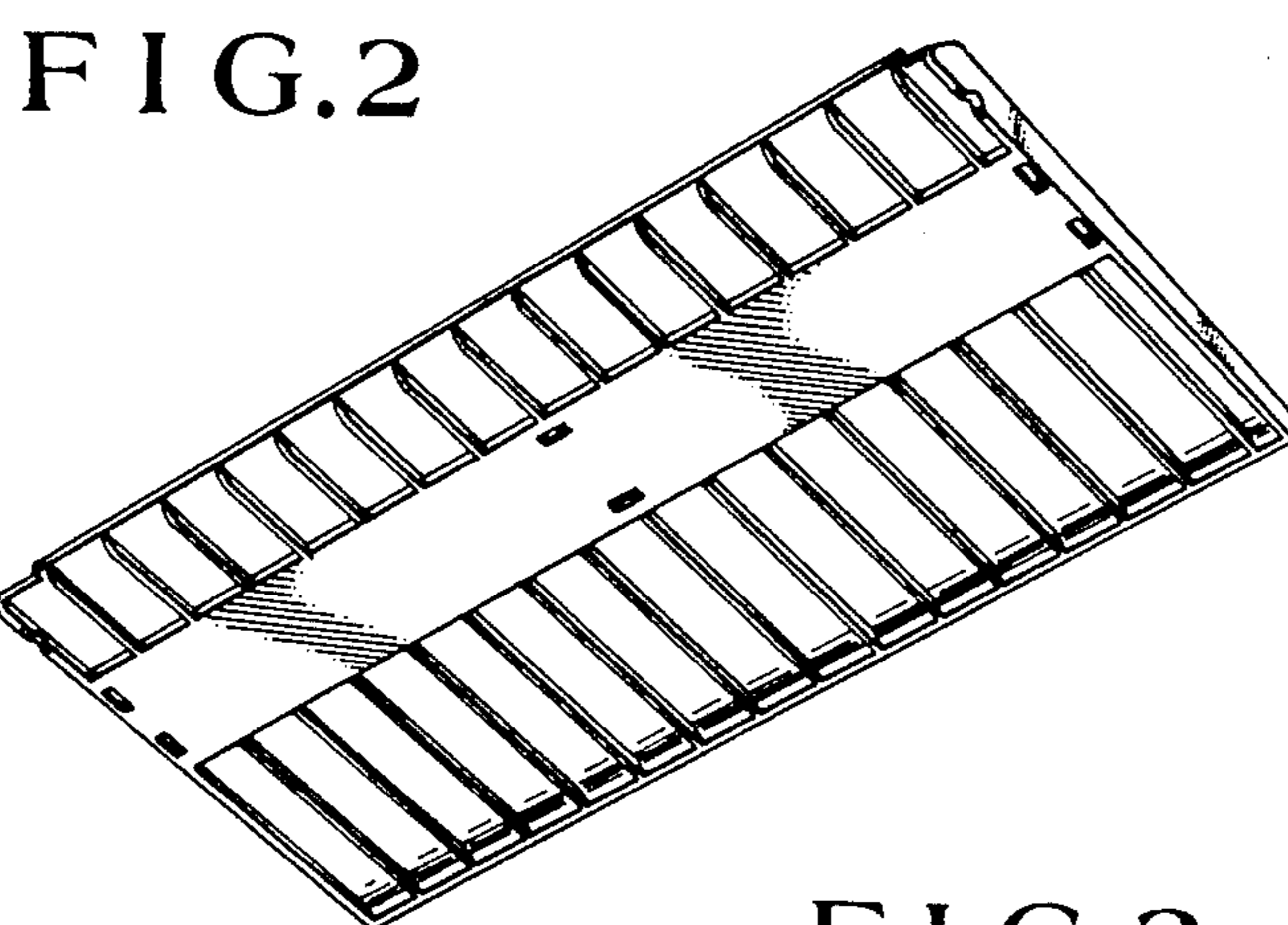
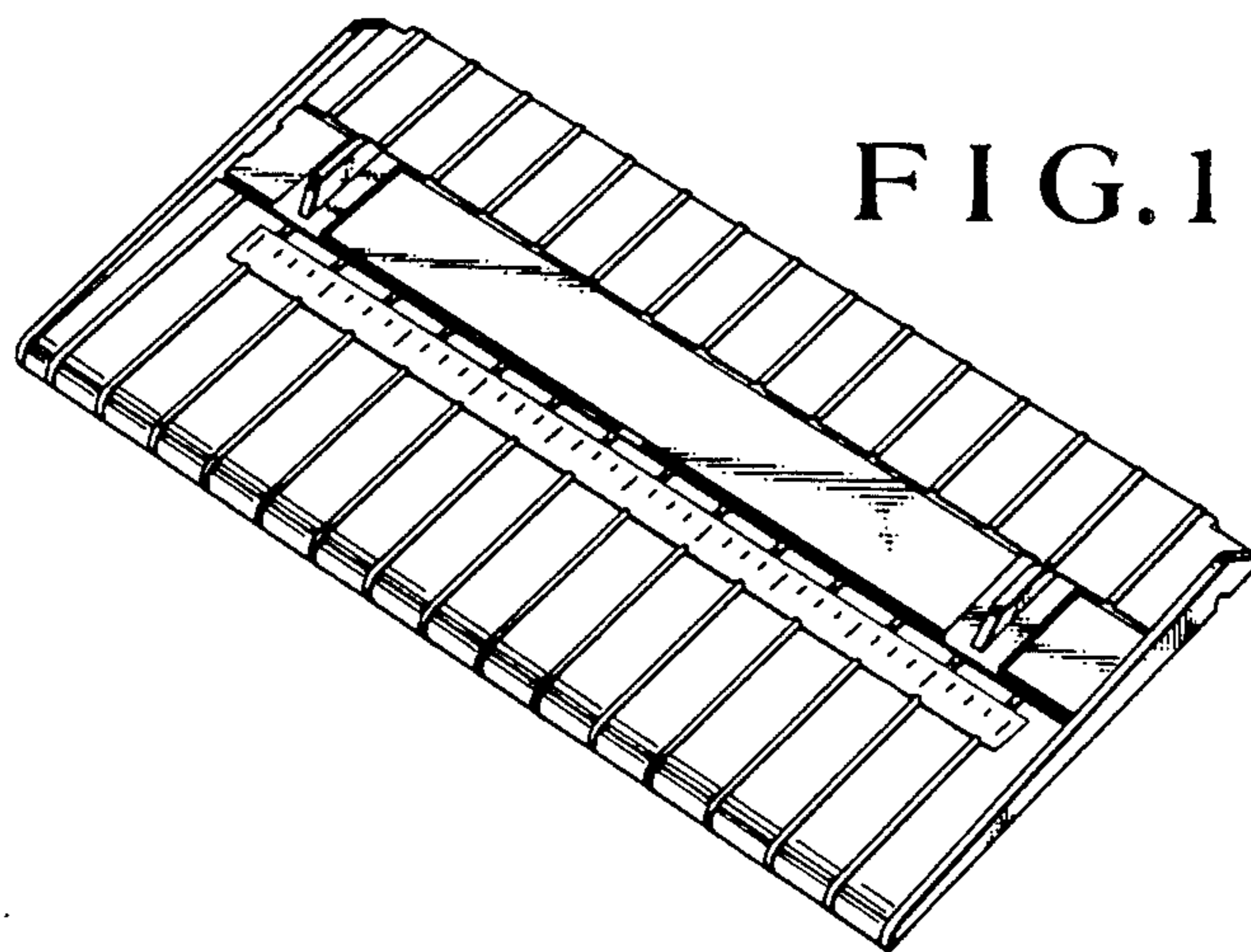


FIG.5

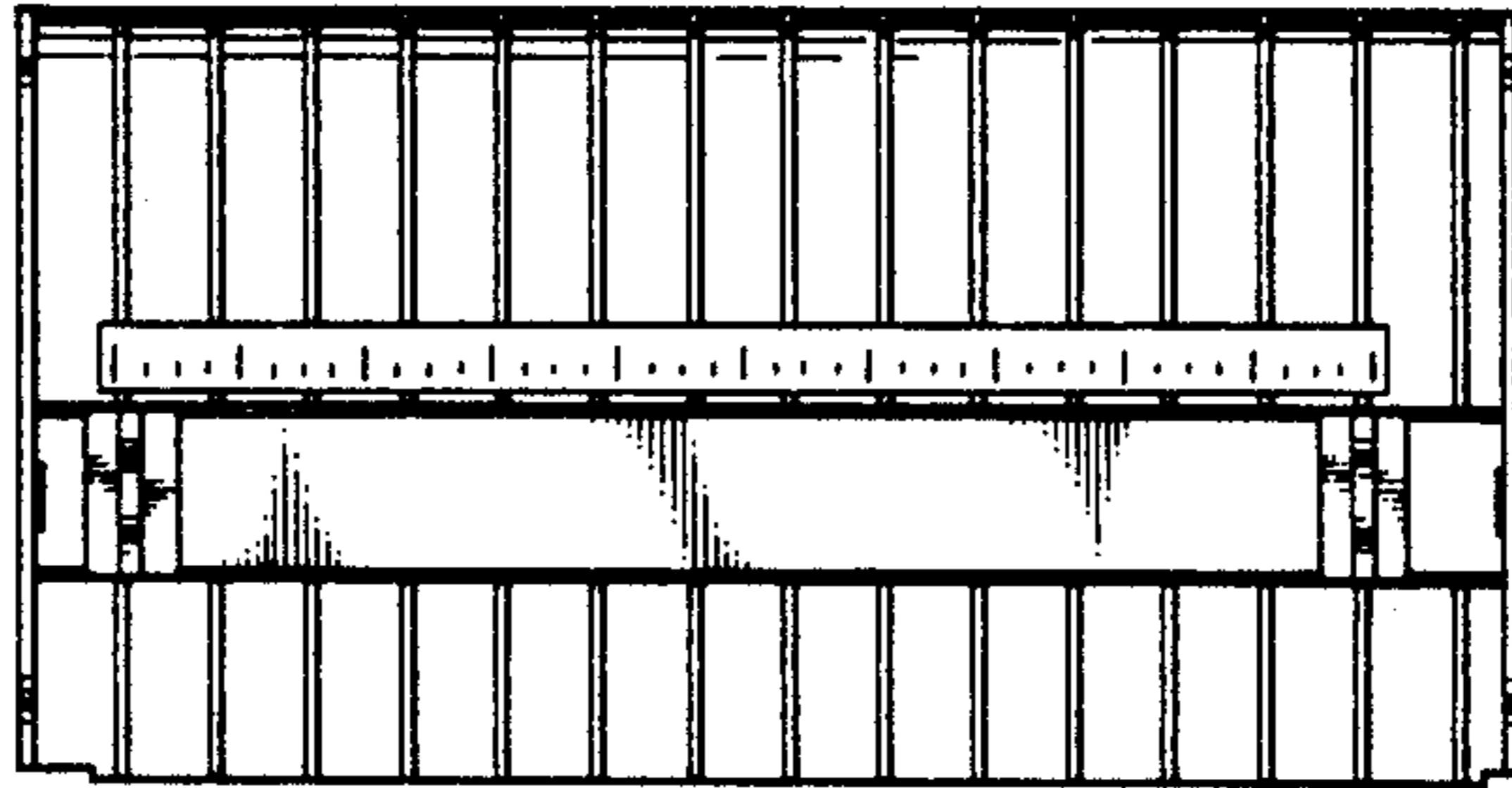


FIG.6

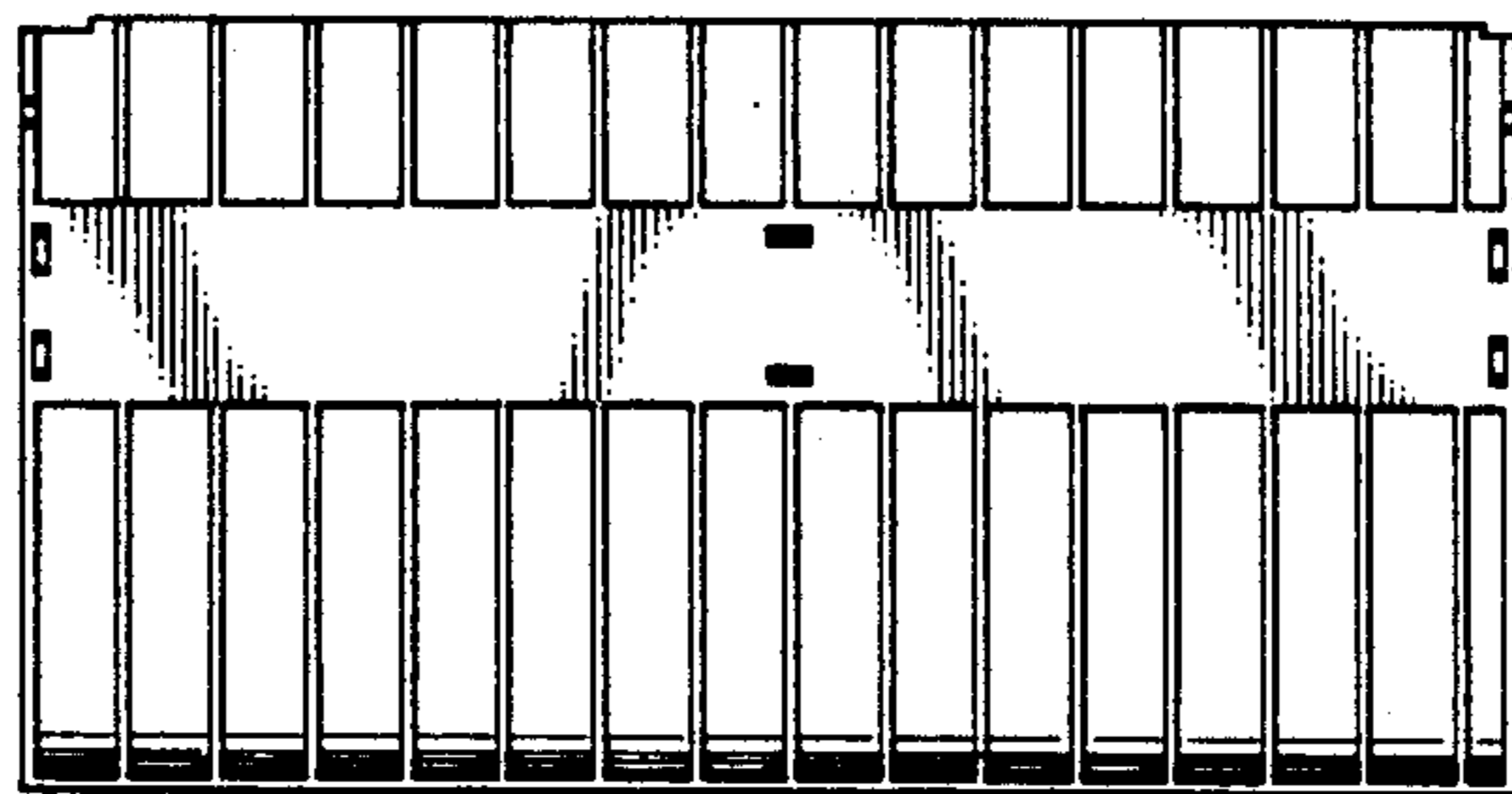


FIG.7

