

United States Patent [19]

Wilden

[11] Patent Number: **Des. 294,946**

[45] Date of Patent: **** Mar. 29, 1988**

[54] **AIR DRIVEN DIAPHRAGM PUMP**

[75] Inventor: **James K. Wilden, Yucaipa, Calif.**

[73] Assignee: **Wilden Pump & Engineering Co., Colton, Calif.**

[**] Term: **14 Years**

[21] Appl. No.: **638,062**

[22] Filed: **Aug. 6, 1984**

[52] U.S. Cl. **D15/7**

[58] Field of Search **D15/7, 9; 417/393-394, 417/395-397, 423, 454, 535-537, 236-237; 418/70; 92/128, 98 R**

[56] **References Cited**

U.S. PATENT DOCUMENTS

- D. 264,972 6/1982 McMillin et al. D15/7
D. 271,395 11/1983 Credle, Jr. D15/7

- 3,782,863 1/1974 Rupp 417/393
3,849,033 11/1974 Schall 417/454
4,406,595 9/1983 Robertson et al. 417/395 X
4,478,560 10/1984 Rupp 417/393

Primary Examiner—Wallace R. Burke
Assistant Examiner—Brian N. Vinson
Attorney, Agent, or Firm—Lyon & Lyon

[57] **CLAIM**

The ornamental design for an air driven diaphragm pump, as shown and described.

DESCRIPTION

FIG. 1 is a front elevational view of an air driven diaphragm pump showing my new design; FIG. 2 is a side elevational view thereof, the opposite side being identical in appearance; FIG. 3 is a rear elevational view thereof; FIG. 4 is a top plan view thereof; and FIG. 5 is a top perspective view thereof.

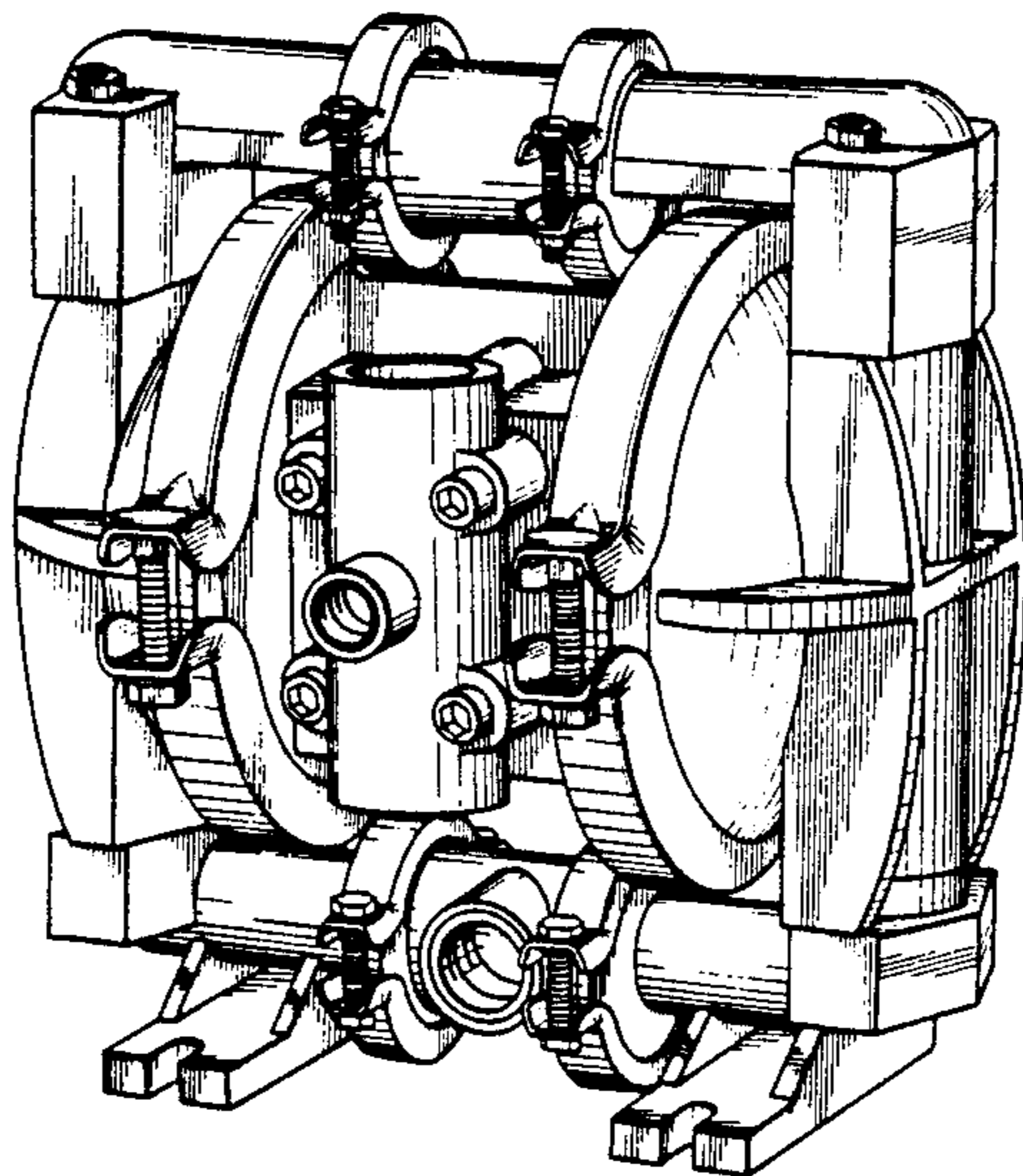
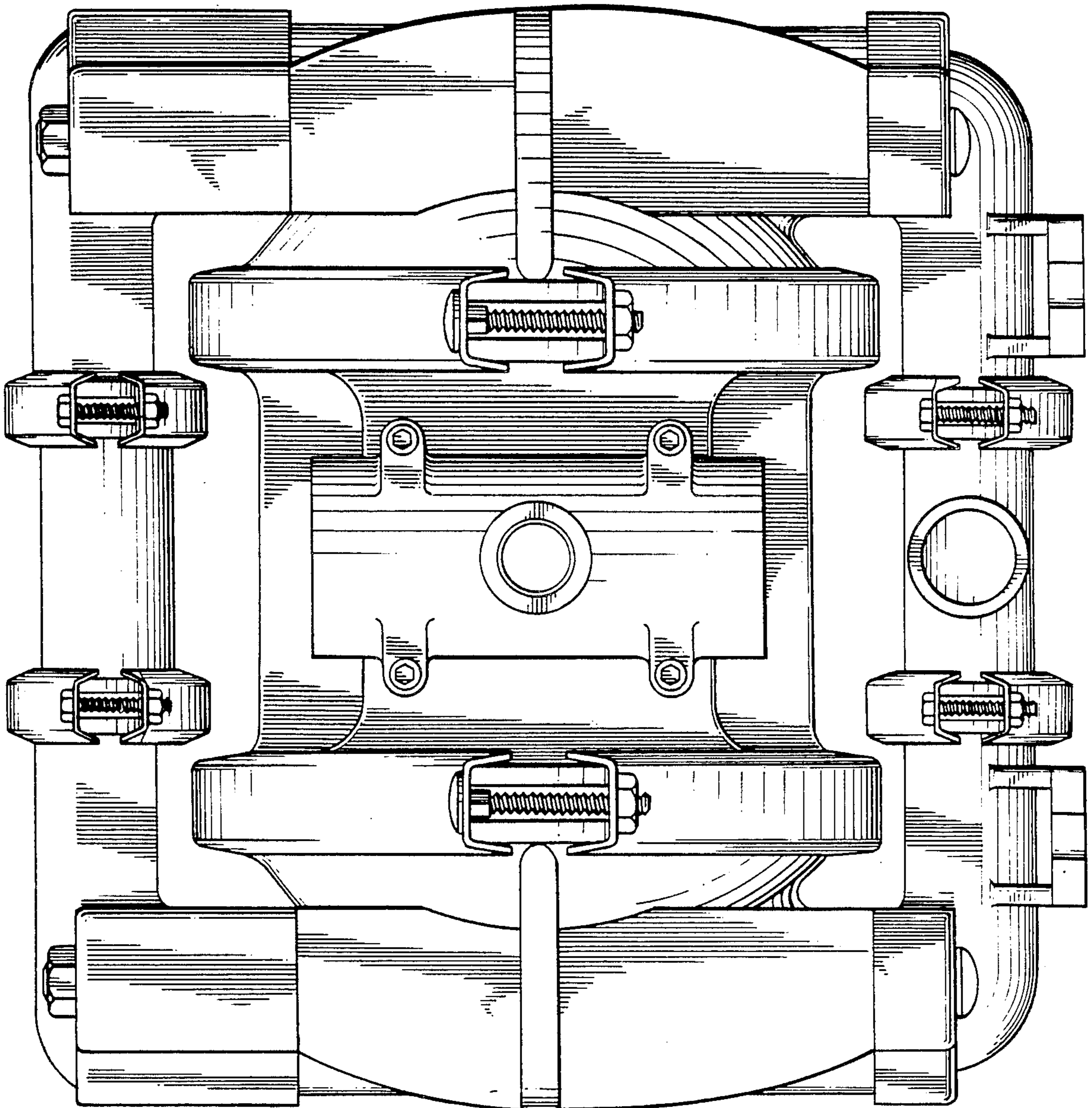


FIG. 1.



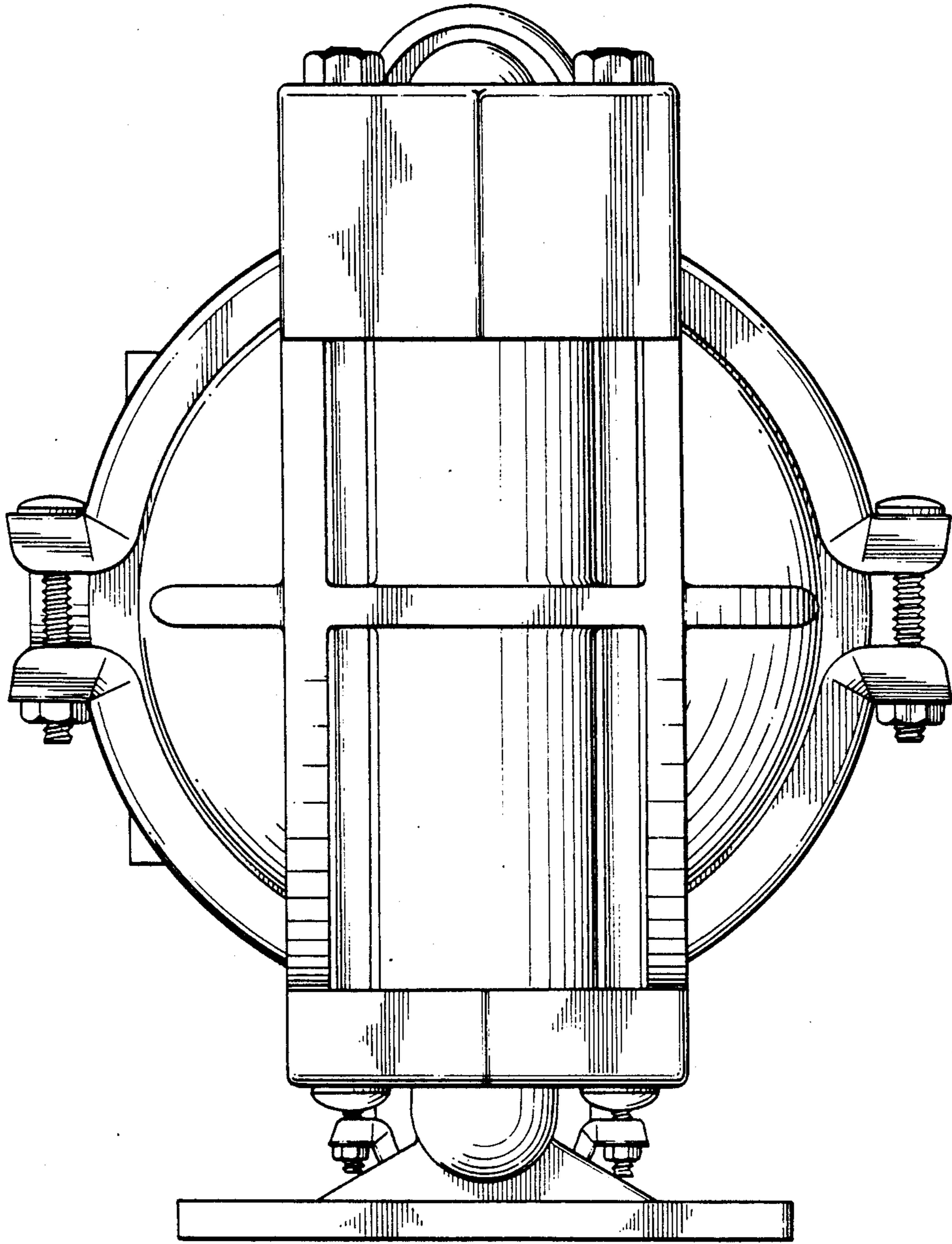
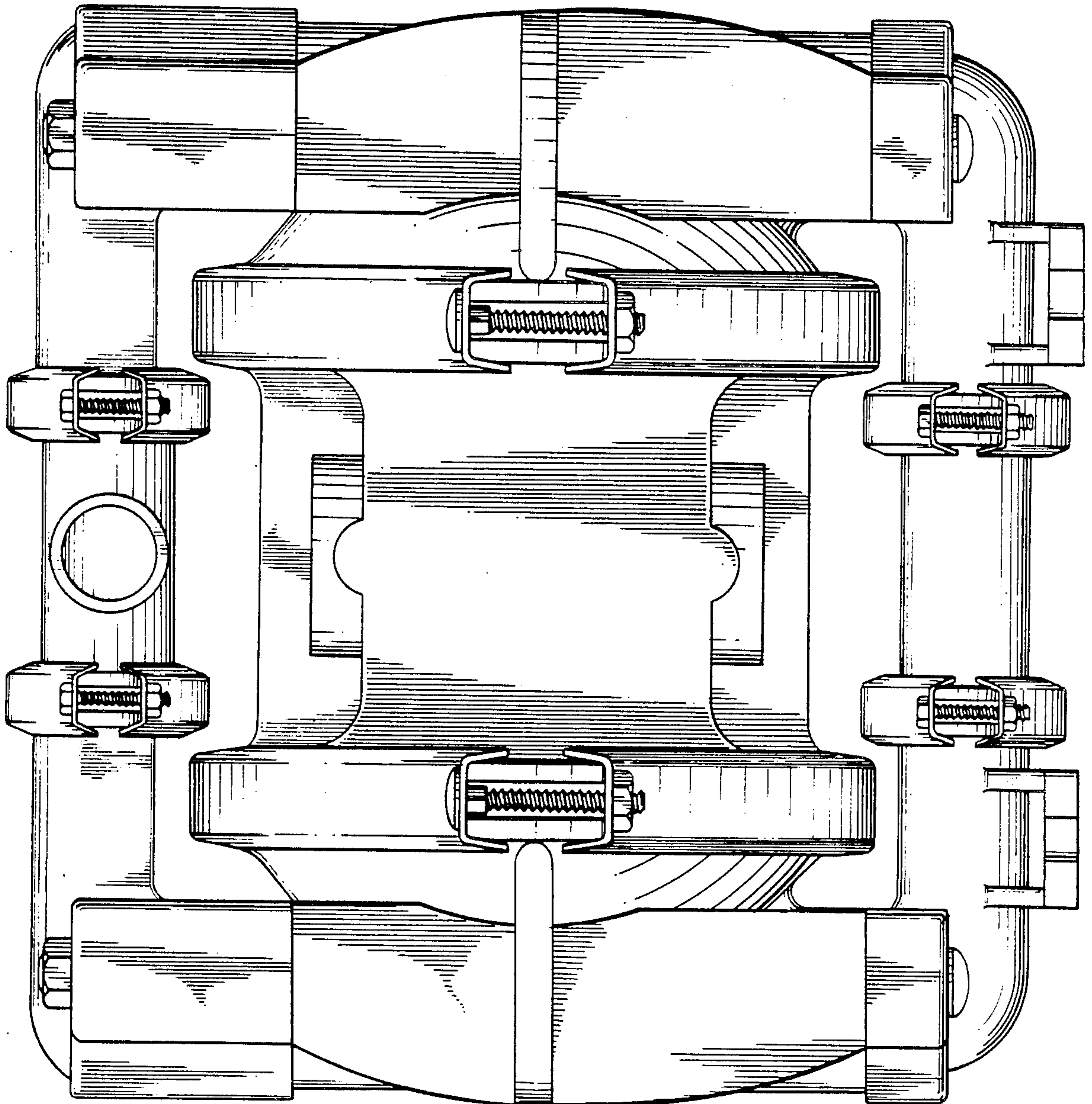


FIG. 2.

Fig. 3.



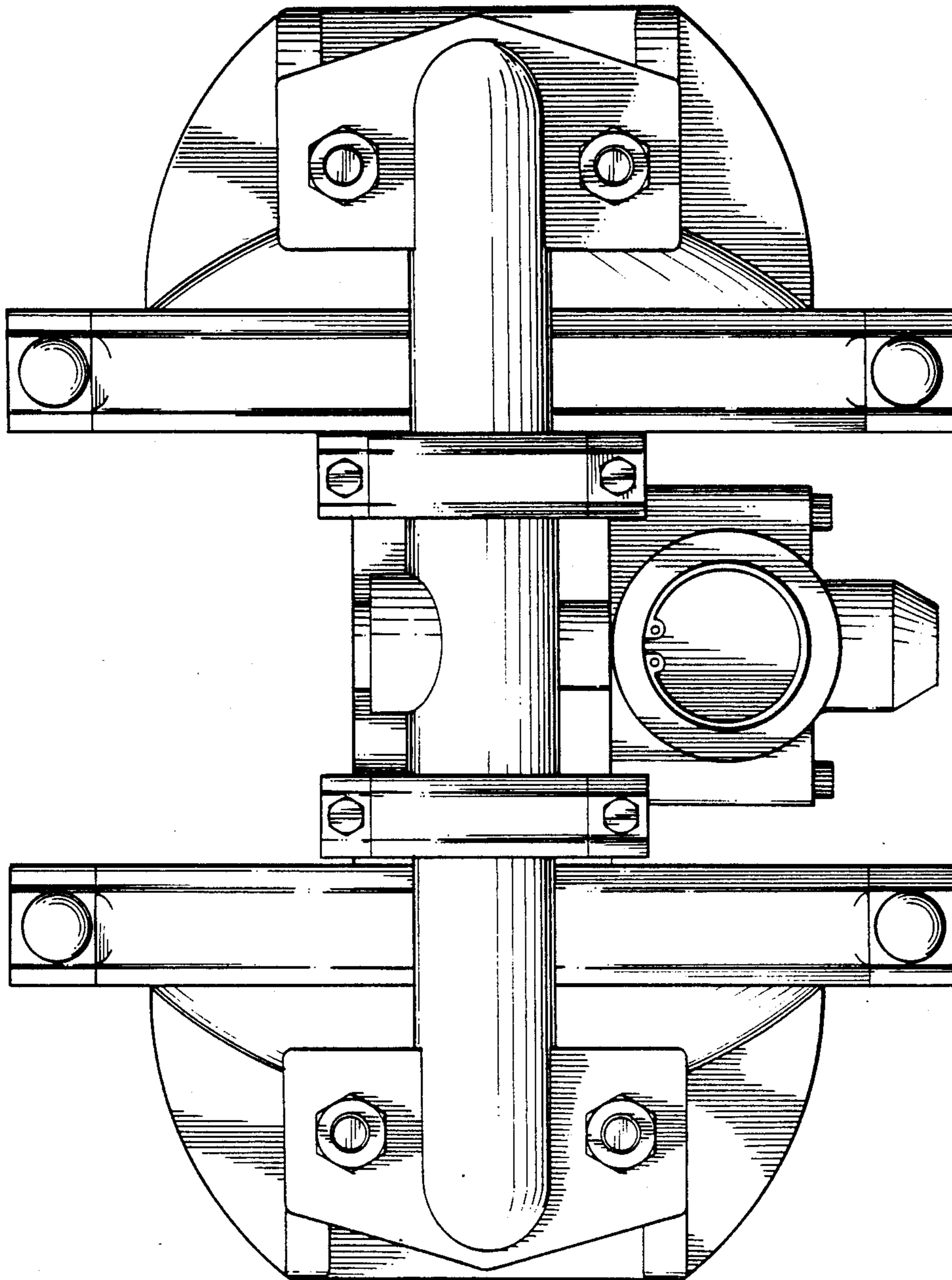


FIG. 4.

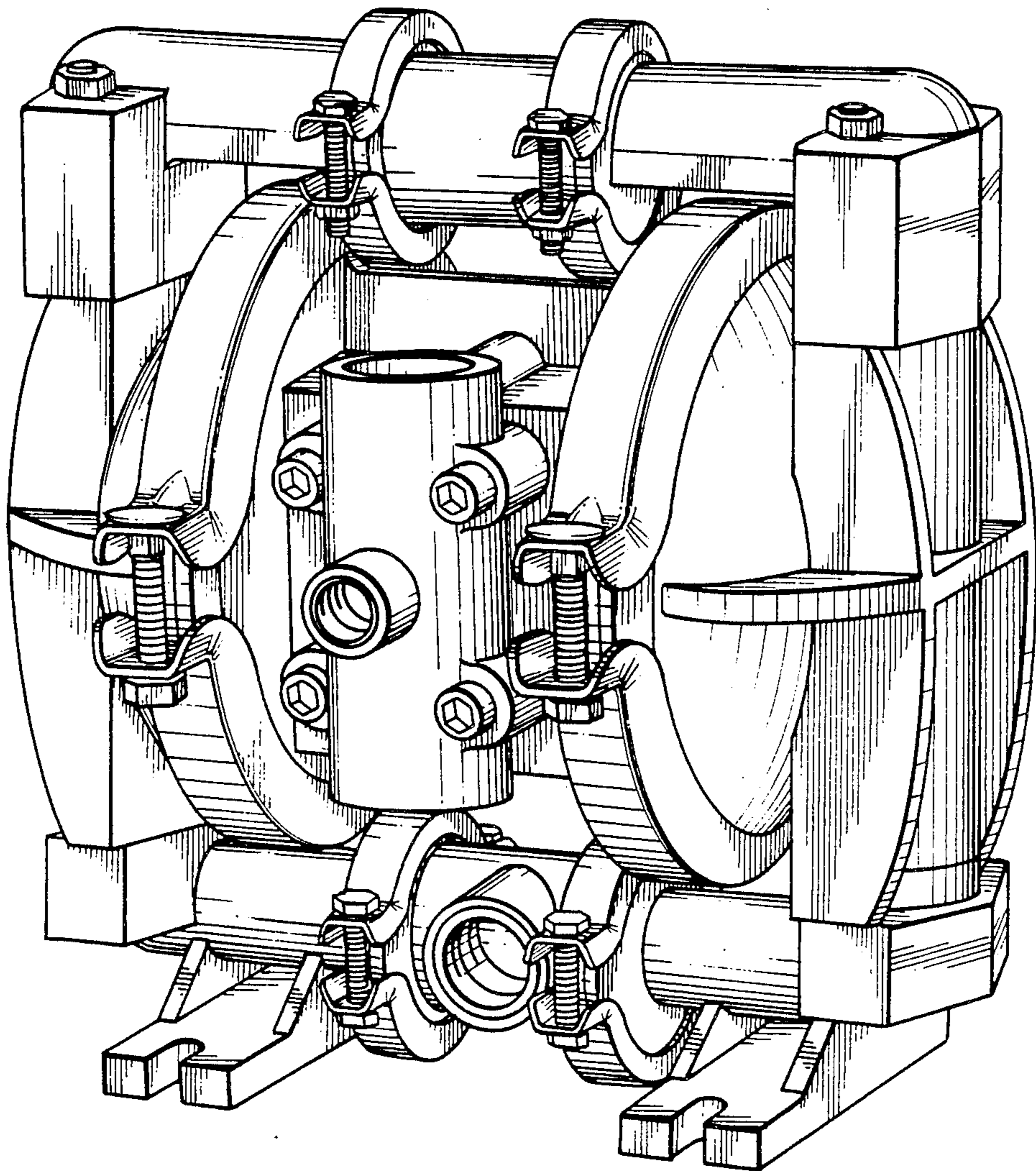


FIG. 5.