

[54] TRIPLE TELEPHONE JACK FRAME

4,368,941 1/1983 Martin ..... 379/316

[75] Inventor: George W. Newton, Durham, N.C.

FOREIGN PATENT DOCUMENTS

[73] Assignee: Trimm, Inc., Libertyville, Ill.

6736 of 1911 United Kingdom ..... 379/316

6737 of 1911 United Kingdom ..... 379/316

[\*\*] Term: 14 Years

Primary Examiner—Susan J. Lucas  
Assistant Examiner—Clare E. Heflin

[21] Appl. No.: 708,555

[57] CLAIM

[22] Filed: Mar. 5, 1985

The ornamental design for a triple telephone jack frame, substantially as shown and described.

[52] U.S. Cl. .... D13/24

[58] Field of Search ..... D13/13, 22, 24-31;  
339/182 R, 183, 119 R, 119 L, 17 D; D14/59;  
379/316

DESCRIPTION

[56] References Cited

U.S. PATENT DOCUMENTS

D. 143,496	1/1946	Lomholt	.....	D13/24
810,367	1/1906	Beyland	.....	379/316
911,338	2/1909	Smith	.....	379/316
3,369,210	2/1968	Menickella	.	
3,822,415	7/1974	Deitch	.....	379/316

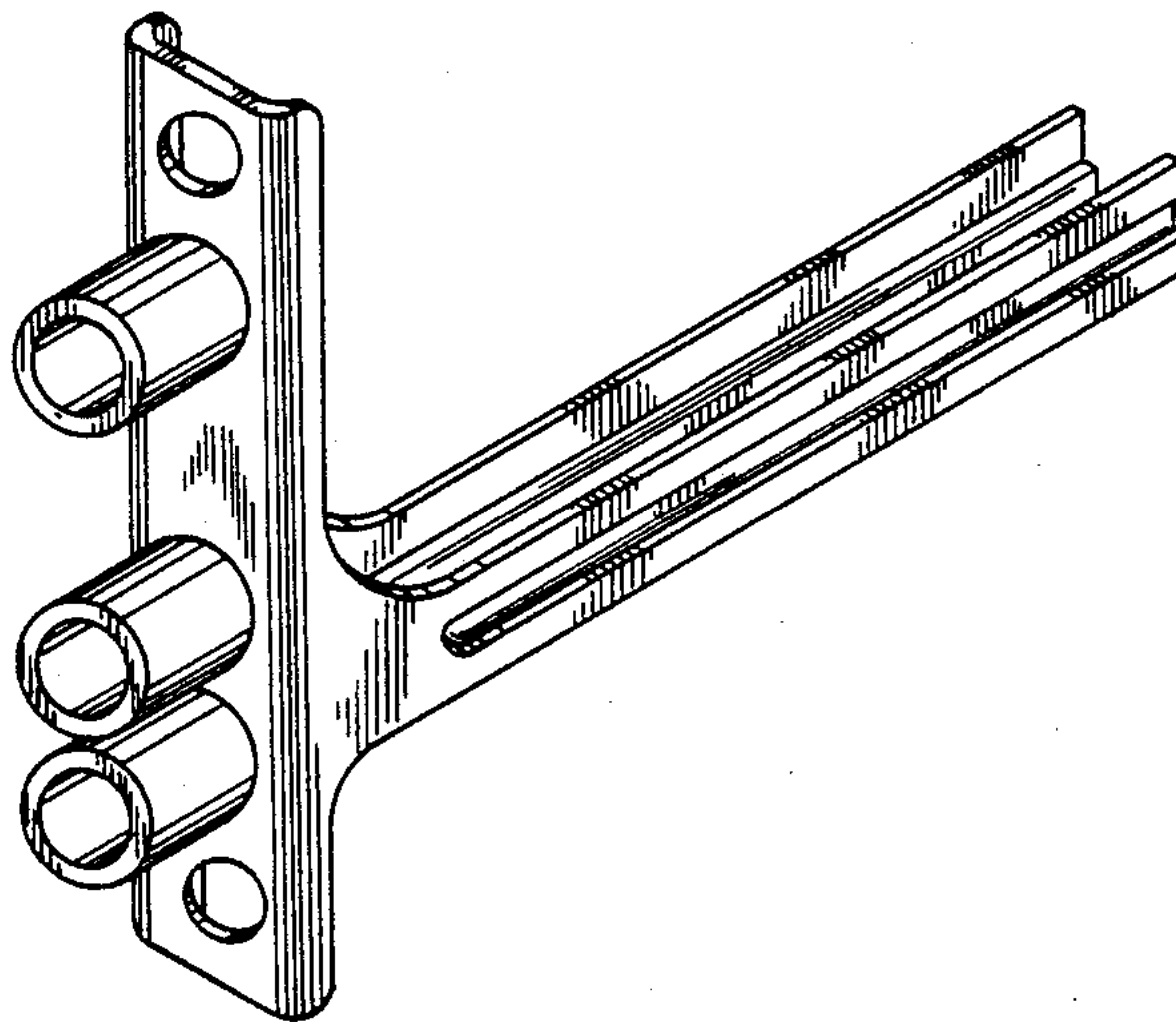
FIG. 1 is a top plan view of the triple telephone jack frame showing my new design, the bottom being a mirror image thereof.

FIG. 2 is a left end elevational view thereof.

FIG. 3 is a right end elevational thereof.

FIG. 4 is a side elevational view thereof, the opposite side being a mirror image thereof.

FIG. 5 is a top, left end perspective view thereof, on a reduced scale.



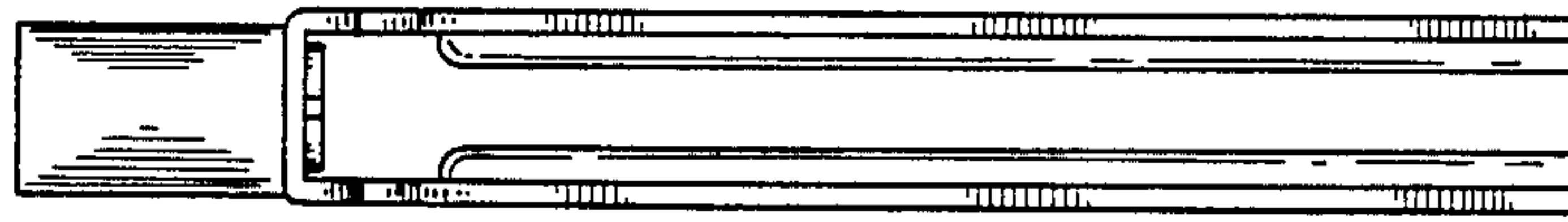


FIG. 1

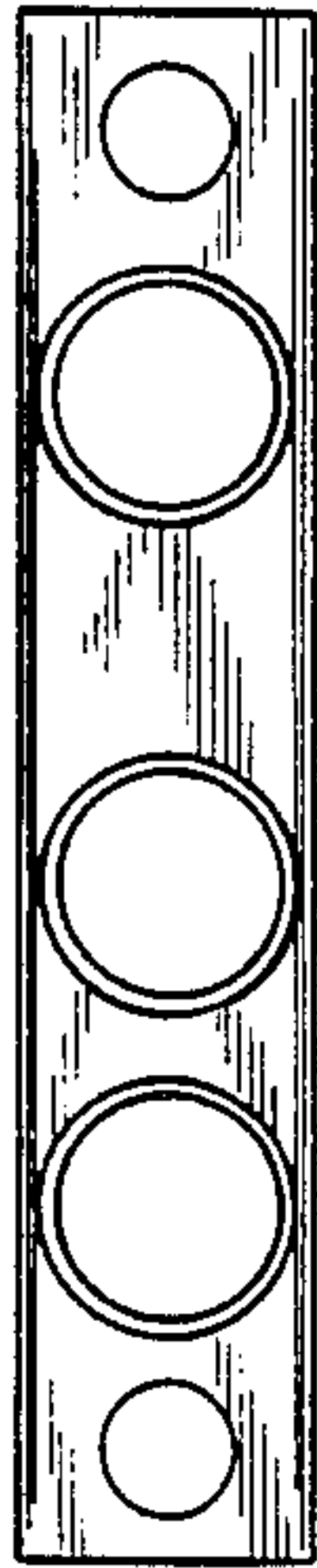


FIG. 2

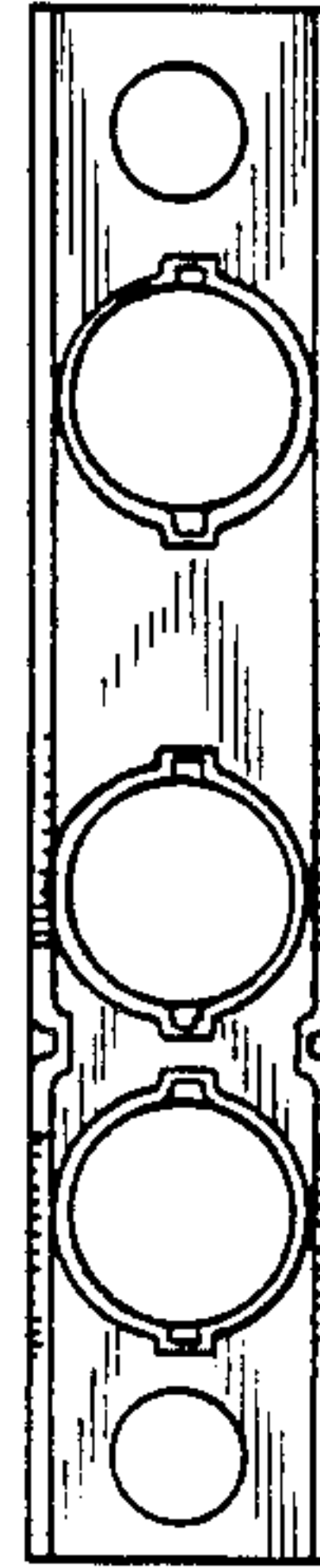


FIG. 3

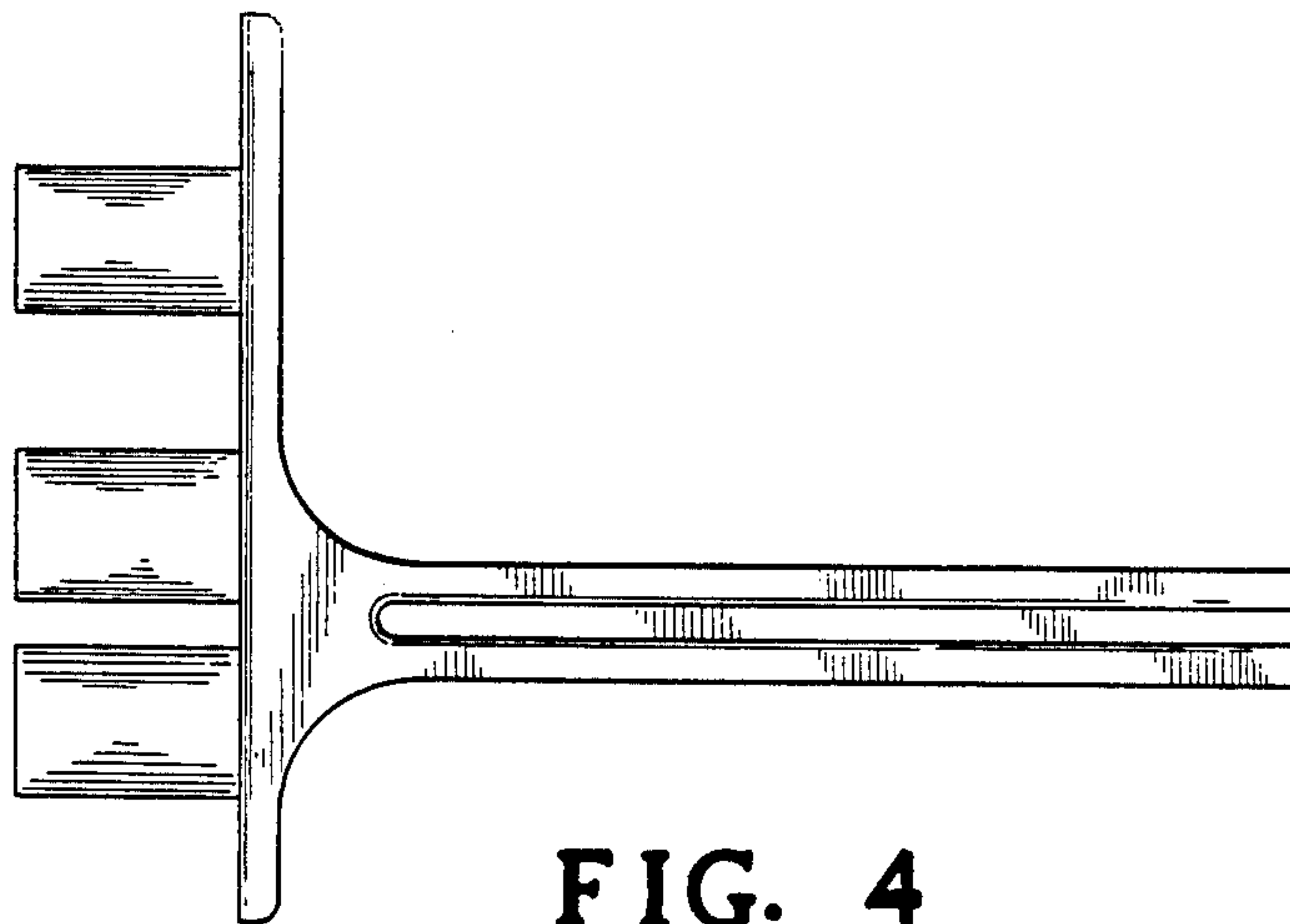


FIG. 4

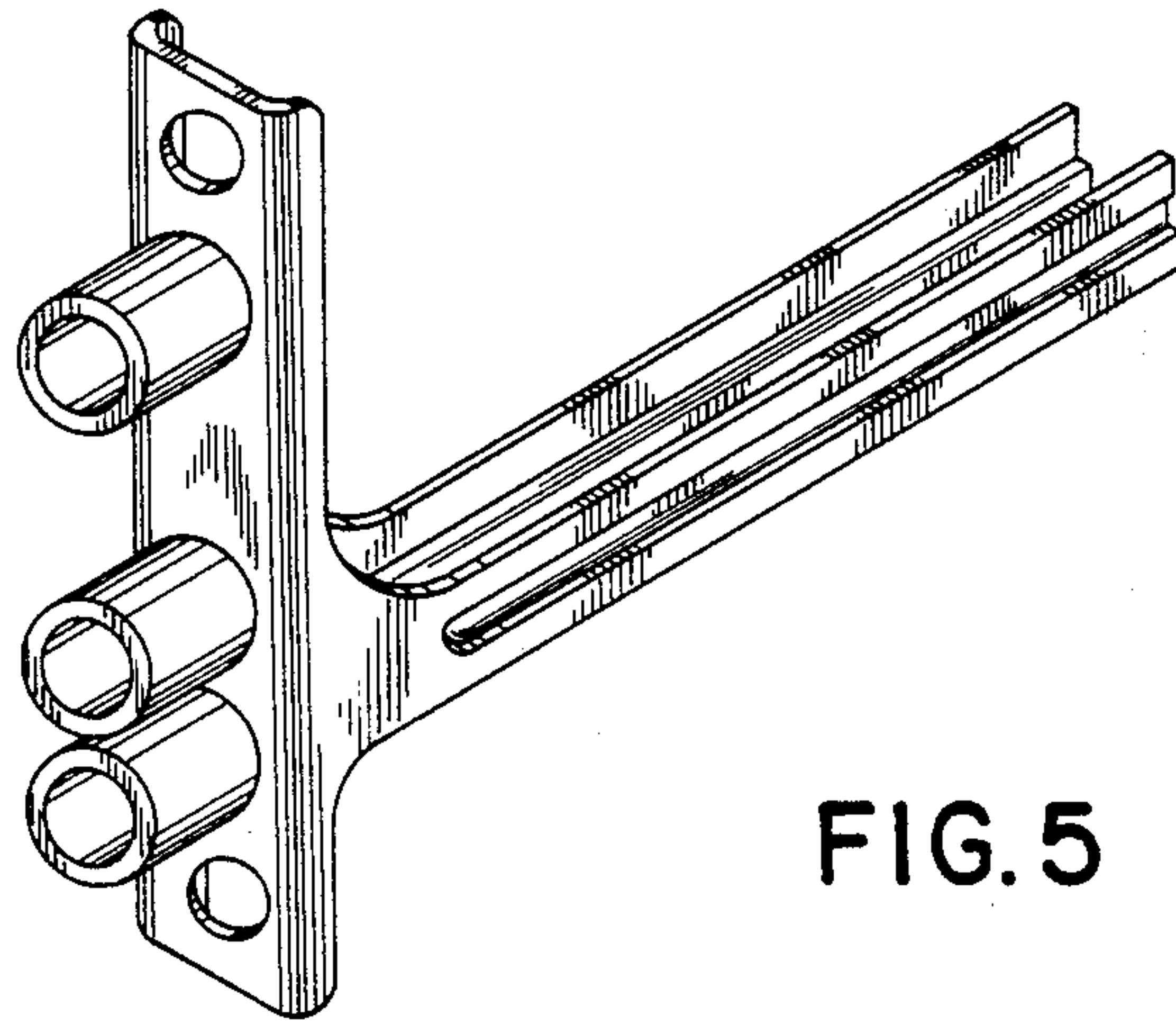


FIG. 5