

[54] **SINGLE TELEPHONE JACK FRAME**

[75] **Inventor: George W. Newton, Durham, N.C.**

[73] **Assignee: Trimm, Inc., Libertyville, Ill.**

[**] **Term: 14 Years**

[21] **Appl. No.: 708,546**

[22] **Filed: Mar. 5, 1985**

[52] **U.S. Cl. D13/24**

[58] **Field of Search D13/13, 22, 24-31;
339/182 R, 183, 119 R, 119 L, 17 D; D14/59;
379/316**

[56] **References Cited**

U.S. PATENT DOCUMENTS

D. 143,496	1/1946	Lomholt	D13/24
810,367	1/1906	Beyland	379/316
911,338	2/1909	Smith	379/316
3,369,210	2/1968	Menickella .	
3,822,415	7/1974	Deitch	379/316
4,368,941	1/1983	Martin	379/316

FOREIGN PATENT DOCUMENTS

6736	of 1911	United Kingdom	379/316
6737	of 1911	United Kingdom	379/316

Primary Examiner—Susan J. Lucas
Assistant Examiner—Clare E. Heflin
Attorney, Agent, or Firm—B. B. Olive

[57] **CLAIM**

The ornamental design for a single telephone jack frame, substantially as shown and described.

DESCRIPTION

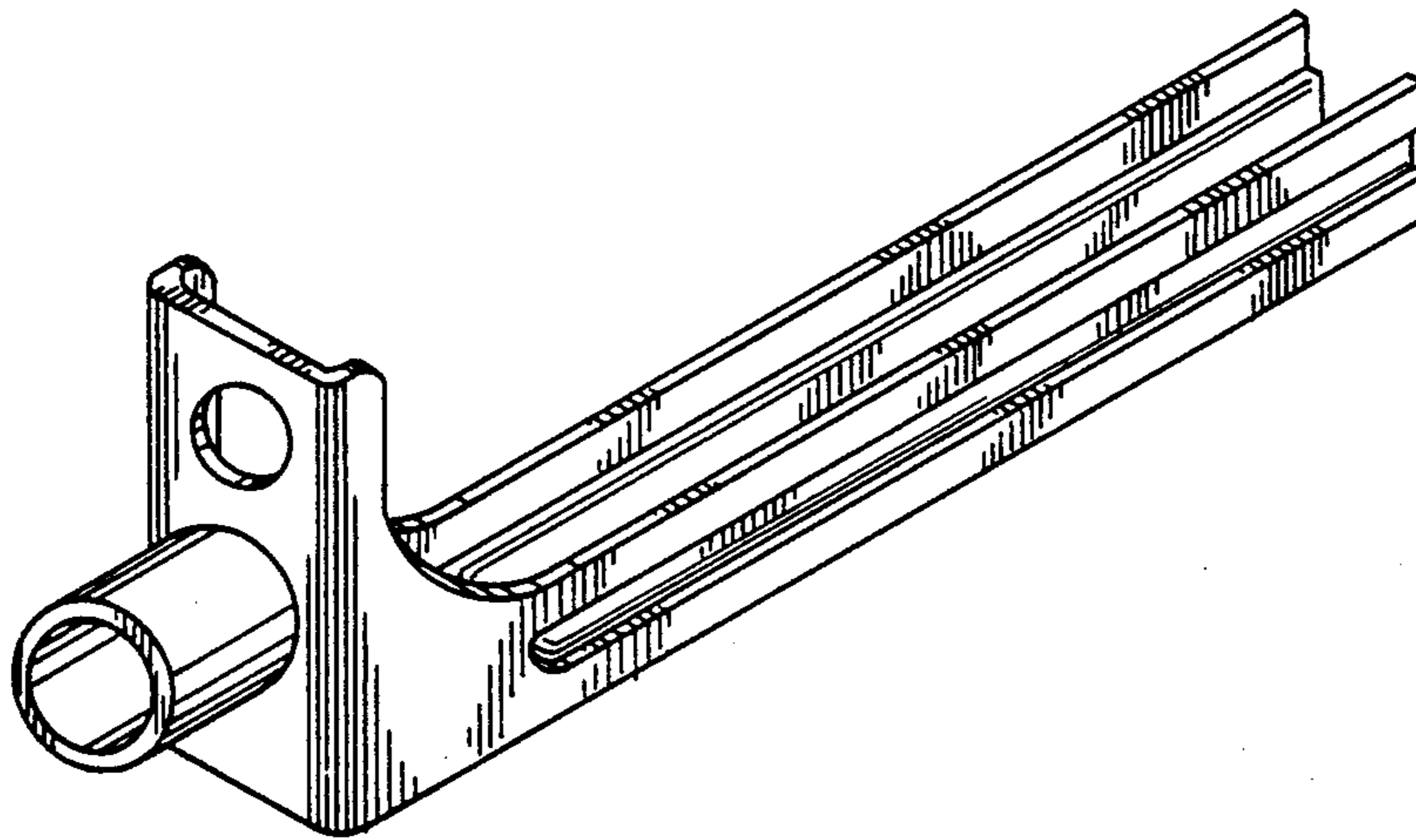
FIG. 1 is a top plan view of the single telephone jack frame showing my new design, the bottom being a mirror image thereof.

FIG. 2 is a left end elevational view thereof.

FIG. 3 is a right end elevational thereof.

FIG. 4 is a side elevational view thereof, the opposite side being a mirror image thereof.

FIG. 5 is a top, left end perspective view thereof, on a reduced scale.



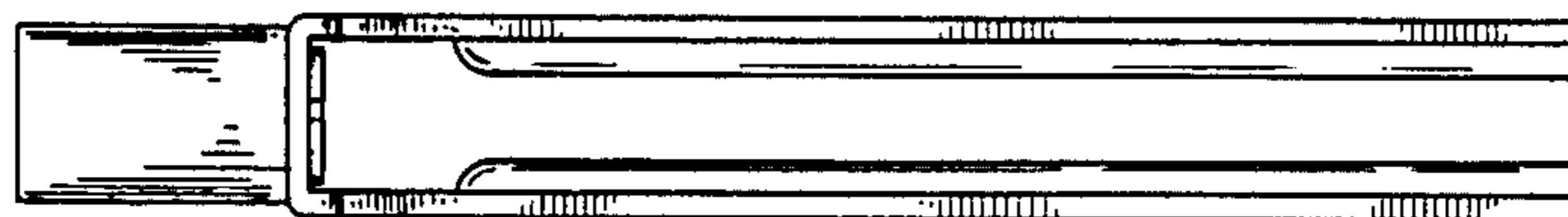


FIG. 1

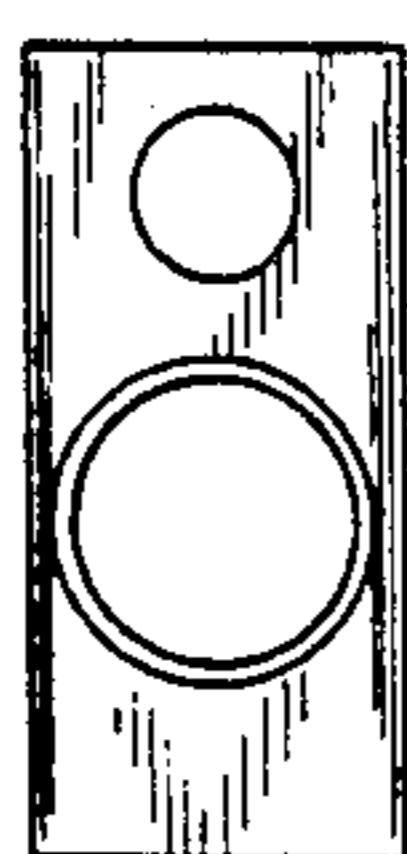


FIG. 2

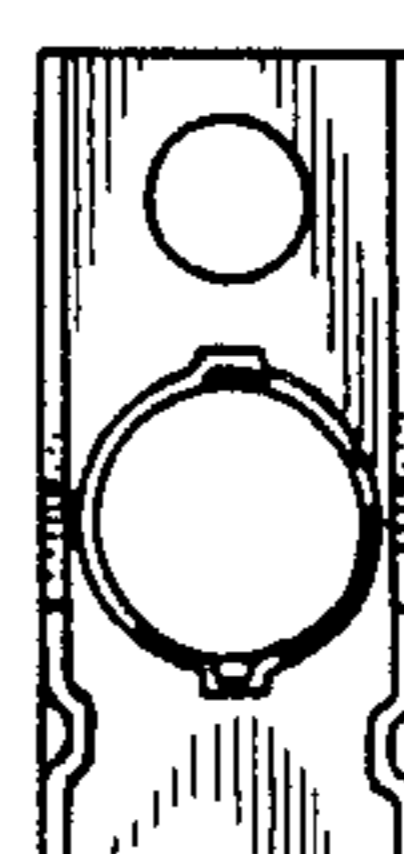


FIG. 3



FIG. 4

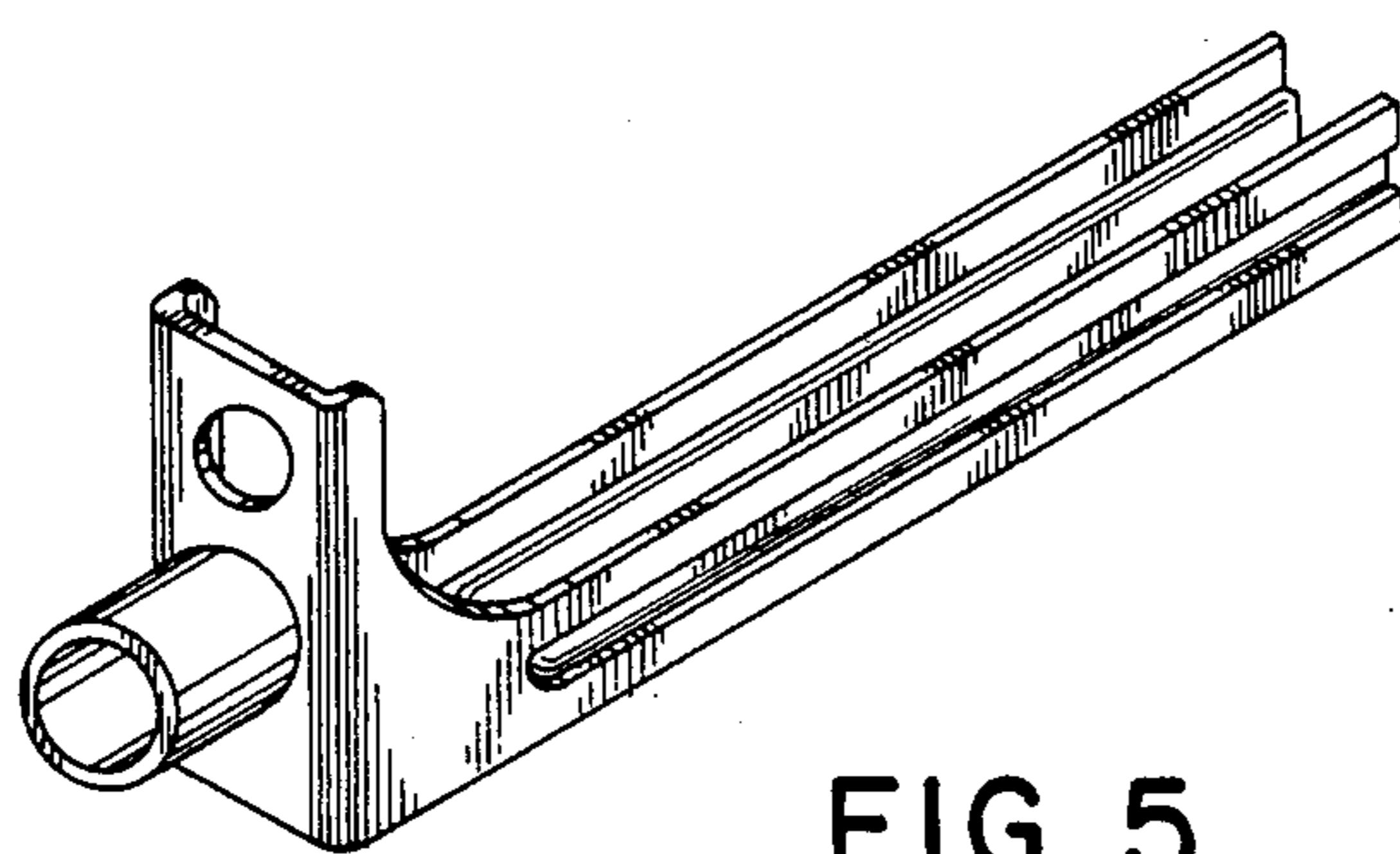


FIG. 5