

[54] TIRE

[75] Inventor: Douglas J. Slagh, Greer, S.C.

[73] Assignee: Michelin Recherche et Technique, Switzerland

[**] Term: 14 Years

[21] Appl. No.: 846,987

[22] Filed: Mar. 26, 1986

[52] U.S. Cl. D12/147

[58] Field of Search D12/141-143, D12/146-151, 140; 152/209 R, 209 B, 209 D

[56] References Cited

U.S. PATENT DOCUMENTS

D. 261,498	10/1981	Baus	D12/145
D. 271,753	12/1983	Newton	D12/140
D. 277,272	1/1985	Sladky et al.	D12/146
D. 287,351	12/1986	Cain	D12/147
D. 288,307	2/1987	Ono	D12/146
D. 288,548	3/1987	Kojima et al.	D12/147

OTHER PUBLICATIONS

Tires Service Station, 12/47, p. 60, Tire, top right side of page.

Modern Tire Dealer, 7/84, p. 24, Armstrong Tredloc Radial Tire, lower right side of page.

1985 Tread Design Guide, p. 32, Formula RTR Radial Tire, bottom center of page.

1984 Tread Design Guide, p. 105, Aurora SR809 Tire, top center of page.

Tire Design Guide-1976-p. 12, (Goodrich GT-700).

Tire Design Guide-1985-p. 31, (Kelly Explorer); p. 36, Goodyear Eagle GT.

Tire Design Guide-1979-p. 38, (Douglas Track Master Radial 70).

Primary Examiner—James M. Gandy
Attorney, Agent, or Firm—Finnegan, Henderson, Farabow, Garrett & Dunner

[57] CLAIM

The ornamental design for a tire, substantially as shown and described.

DESCRIPTION

FIG. 1 is a perspective view of a tire showing our new design, it being understood that the tread pattern is repeated throughout the circumference of the tire, as shown schematically by solid lines, the opposite side being substantially the same as that illustrated; and FIG. 2 is a plan view of the tread of the tire of FIG. 1.

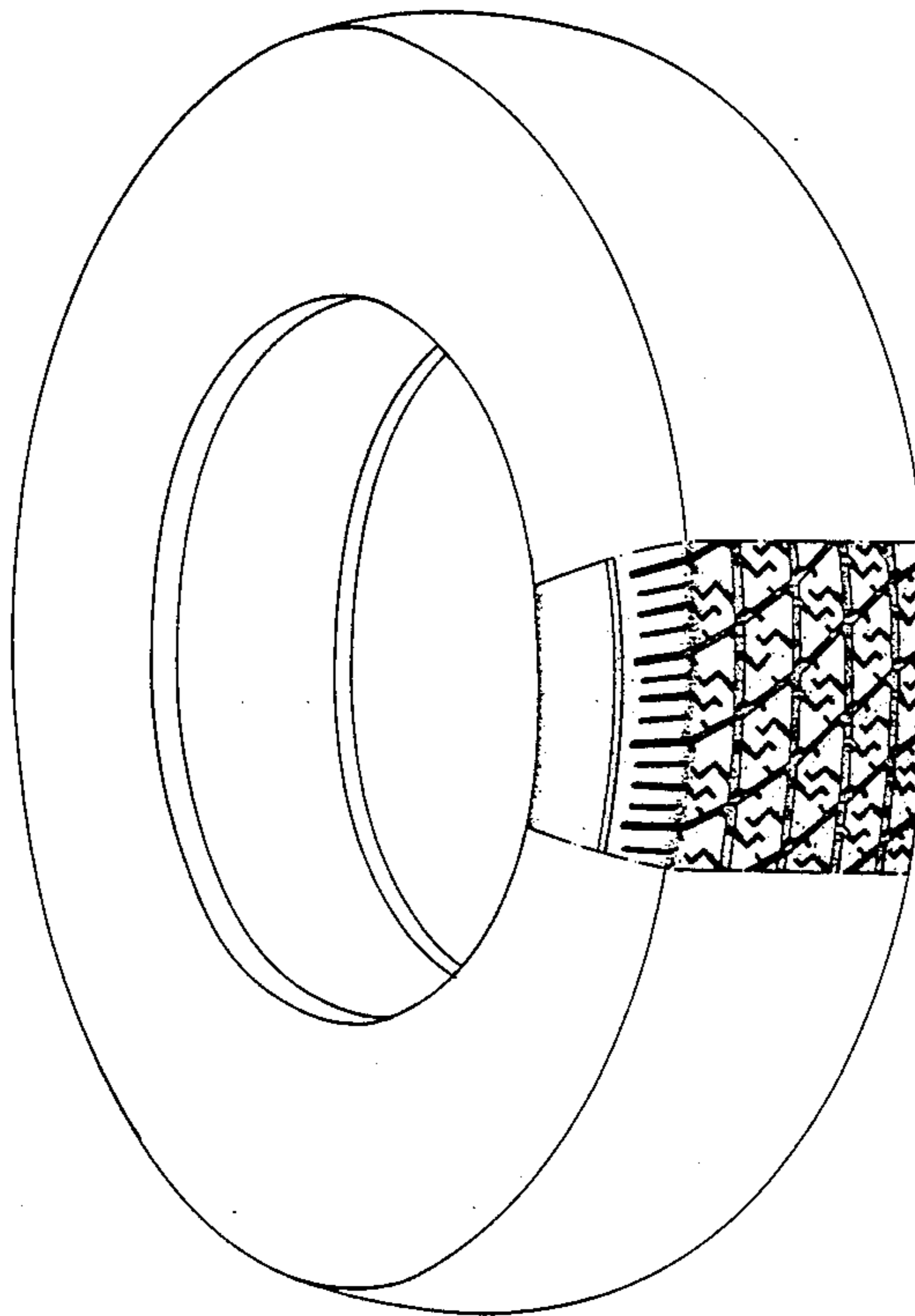


FIG. 1

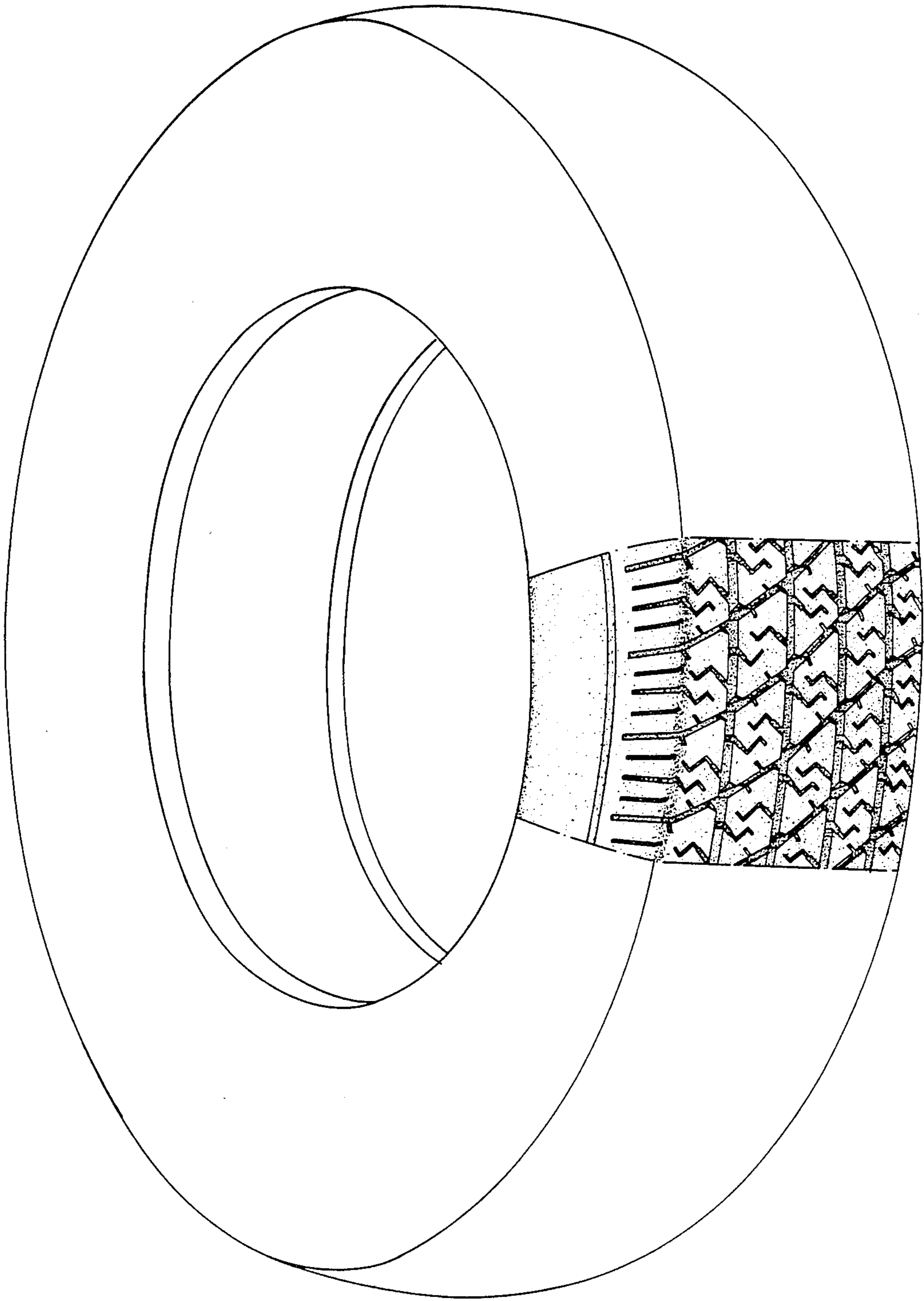


FIG. 2

