

[54] **MOTORCYCLE HORN COVER**

[75] **Inventor: Neil F. Nagy, San Pedro, Calif.**

[73] **Assignee: Intersport Fashions West, Inc., Fullerton, Calif.**

[**] **Term: 14 Years**

[21] **Appl. No.: 793,995**

[22] **Filed: Nov. 1, 1985**

[52] **U.S. Cl. D12/126**

[58] **Field of Search D12/114, 126; 280/289 R, 289 G**

[56] **References Cited**
PUBLICATIONS

1971 Harley-Davidson Accessories catalog, p. 13, Twin Horn Kit X, upper left side of page.
1984 Drag Specialties catalog, p. 63, Chrome Horn Covers D, center left side of page.

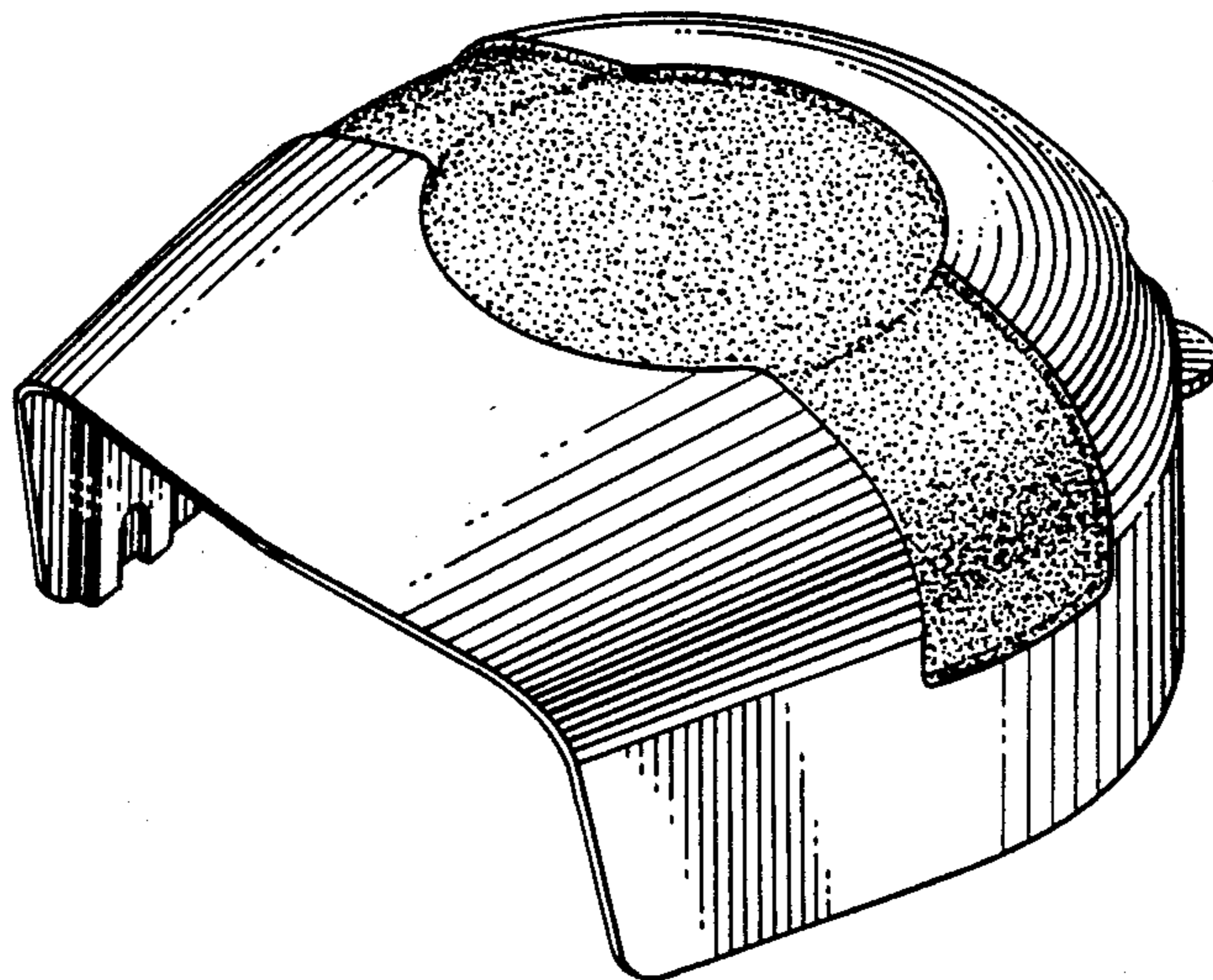
Primary Examiner—James M. Gandy
Attorney, Agent, or Firm—Gausewitz, Carr & Rothenberg

[57] **CLAIM**

The ornamental design for a motorcycle horn cover, as shown.

DESCRIPTION

FIG. 1 is a perspective view of a motorcycle horn cover, incorporating my new design;
FIG. 2 is a top plan view thereof;
FIG. 3 is a side elevational view thereof as seen from the left of FIG. 4; and
FIG. 4 is a front elevational view thereof.



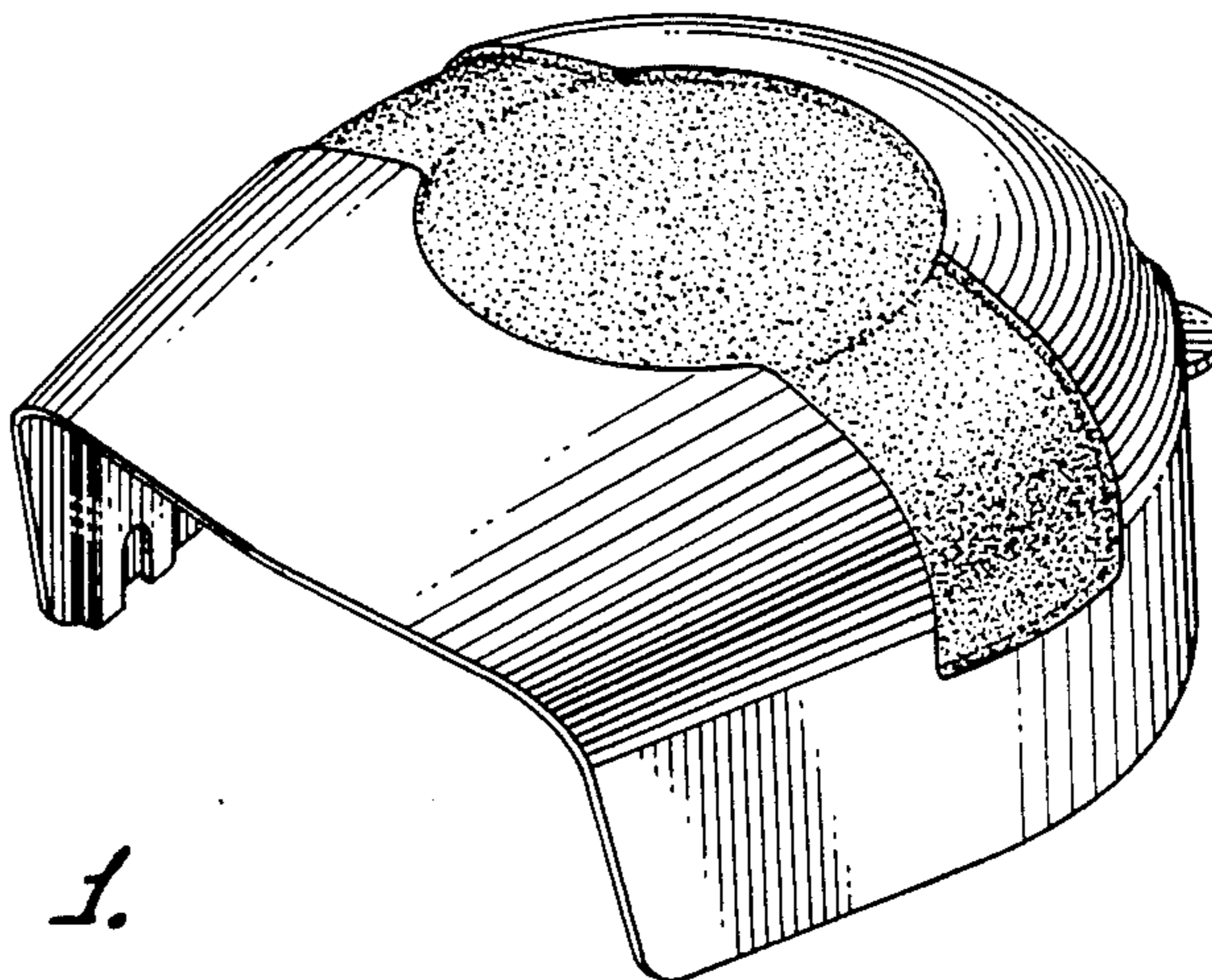


FIG. 1.

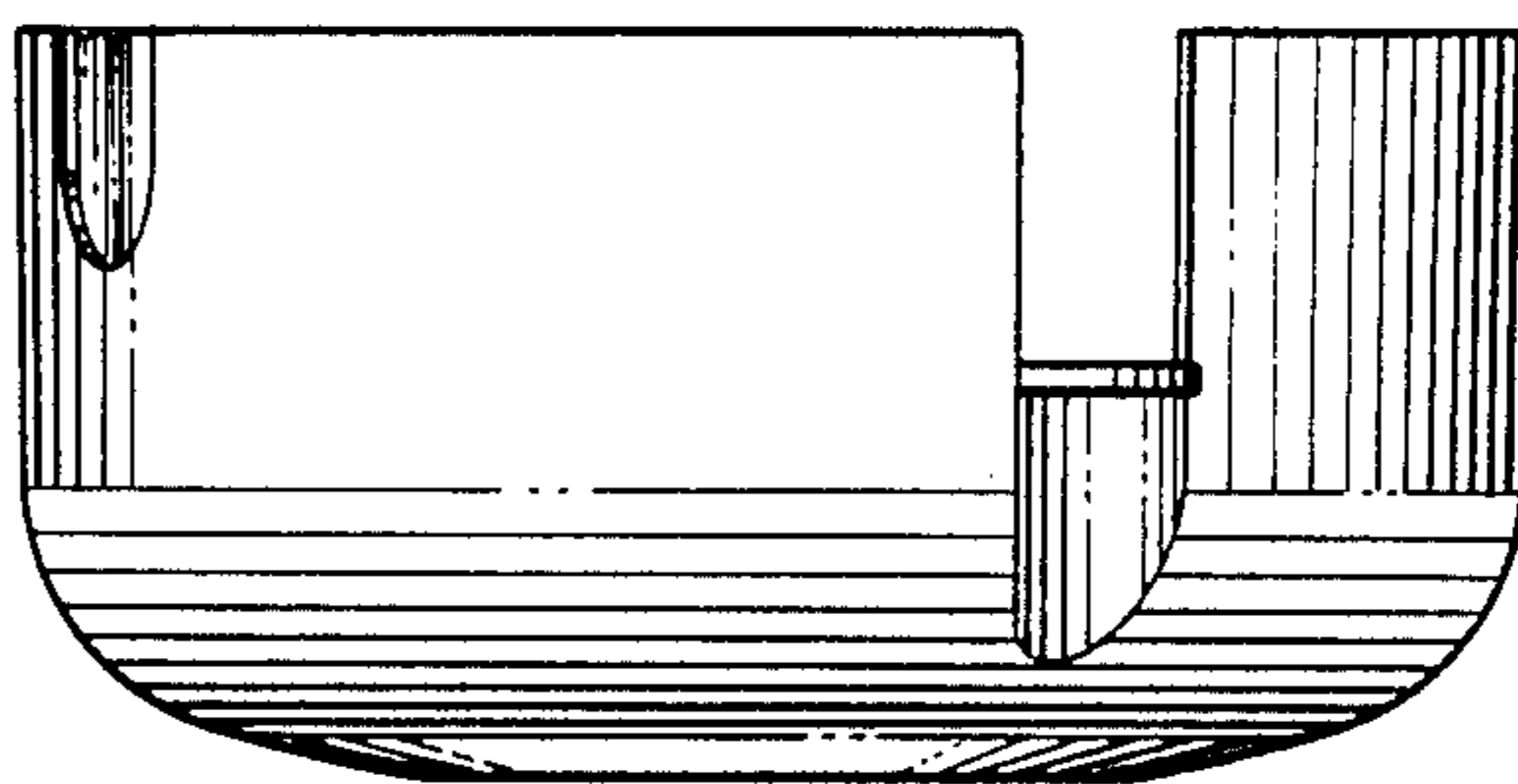


FIG. 2.

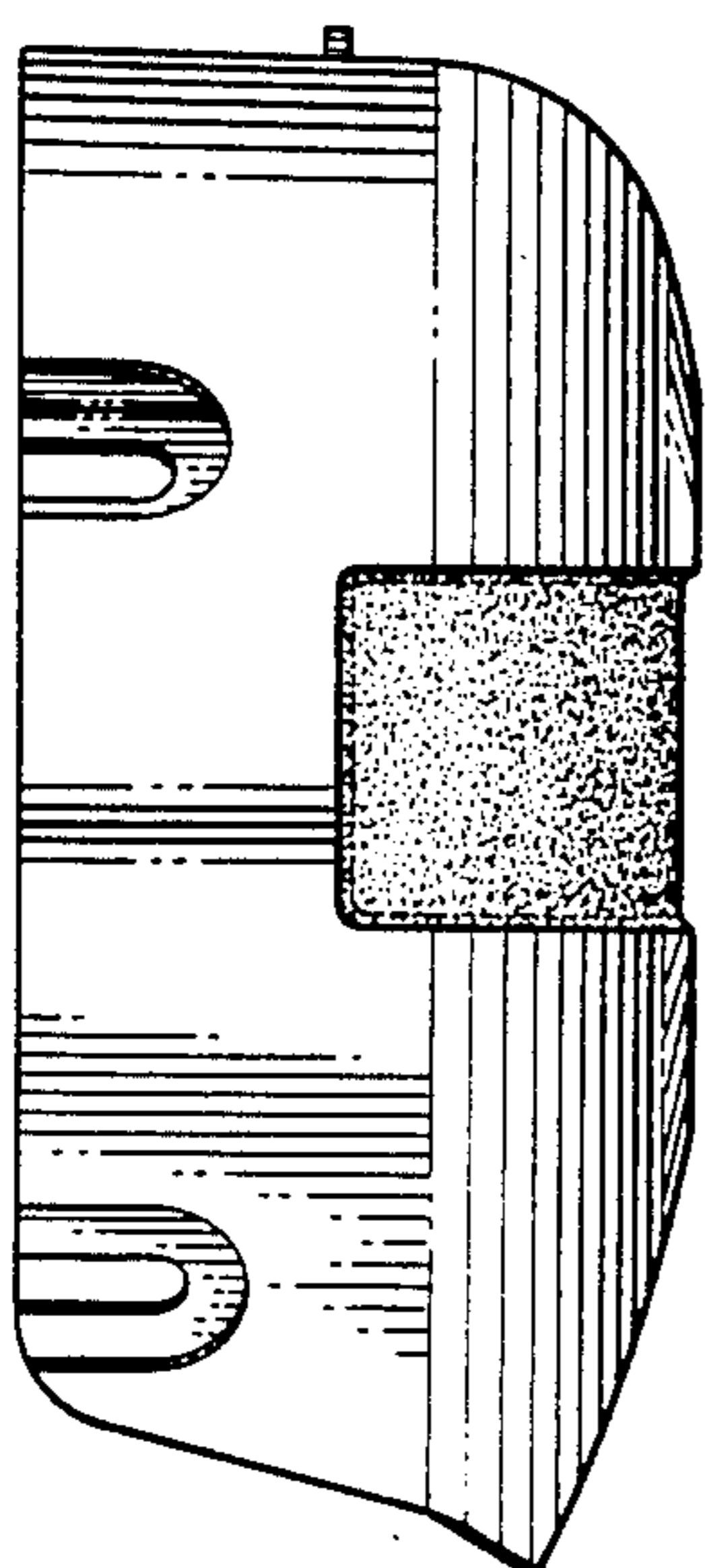


FIG. 3.

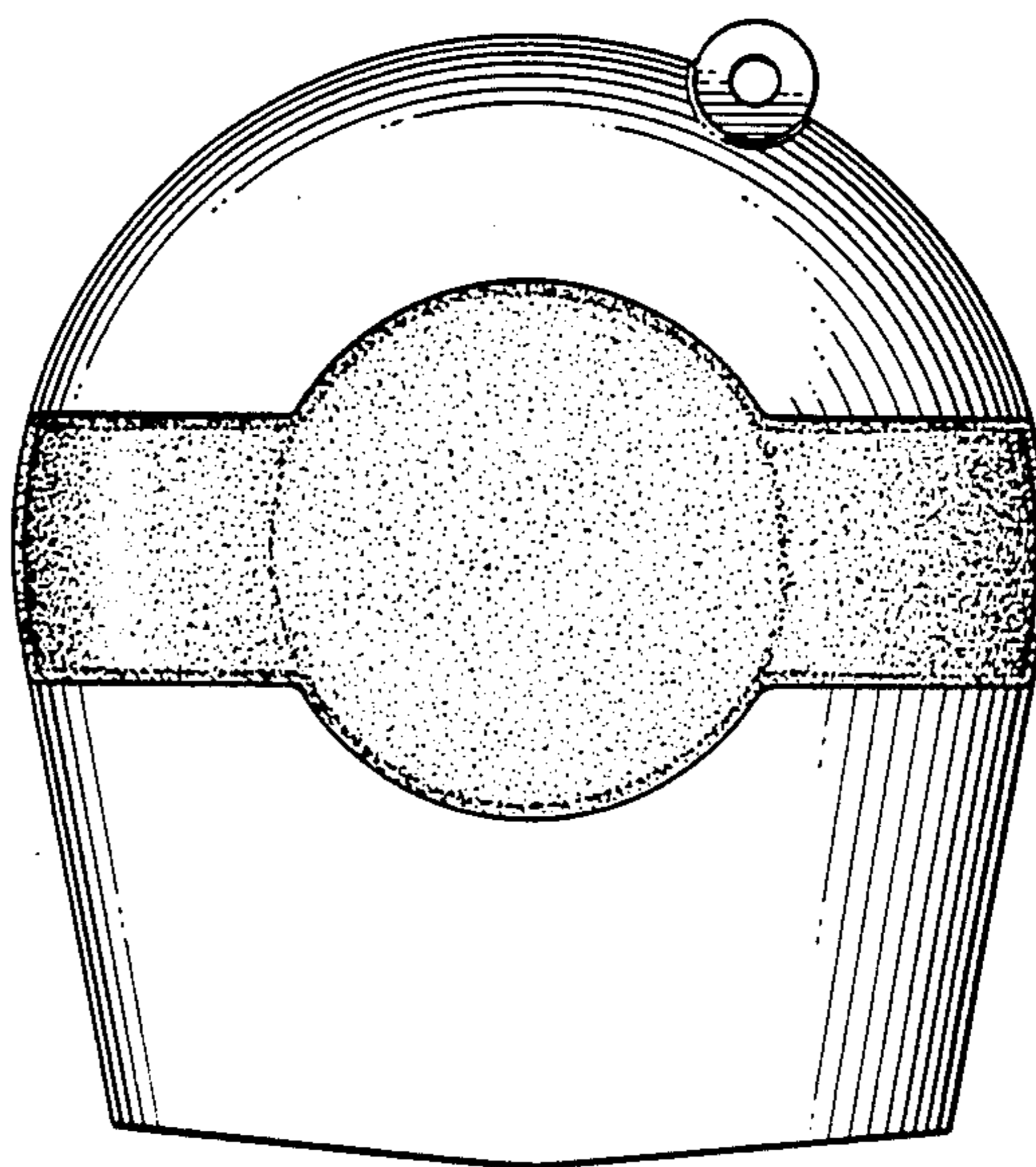


FIG. 4.