

[54] **MOTORCYCLE COIL COVER**

[75] **Inventor: Neil F. Nagy, San Pedro, Calif.**

[73] **Assignee: Intersport Fashions West, Inc., Fullerton, Calif.**

[**] **Term: 14 Years**

[21] **Appl. No.: 793,994**

[22] **Filed: Nov. 1, 1985**

[52] **U.S. Cl. D12/126**

[58] **Field of Search D12/114, 126; 280/289 R, 289 G**

[56] **References Cited**
PUBLICATIONS

J. C. Whitney Motorcycle Parts & Accessories catalog No. 33B, ©1984, p. 67, Coil Cover F, top center of page.

1984 Drag Specialties catalog, p. 7, Master Cylinder Covers E, bottom of page.

Primary Examiner—James M. Gandy
Attorney, Agent, or Firm—Gausewitz, Carr & Rothenberg

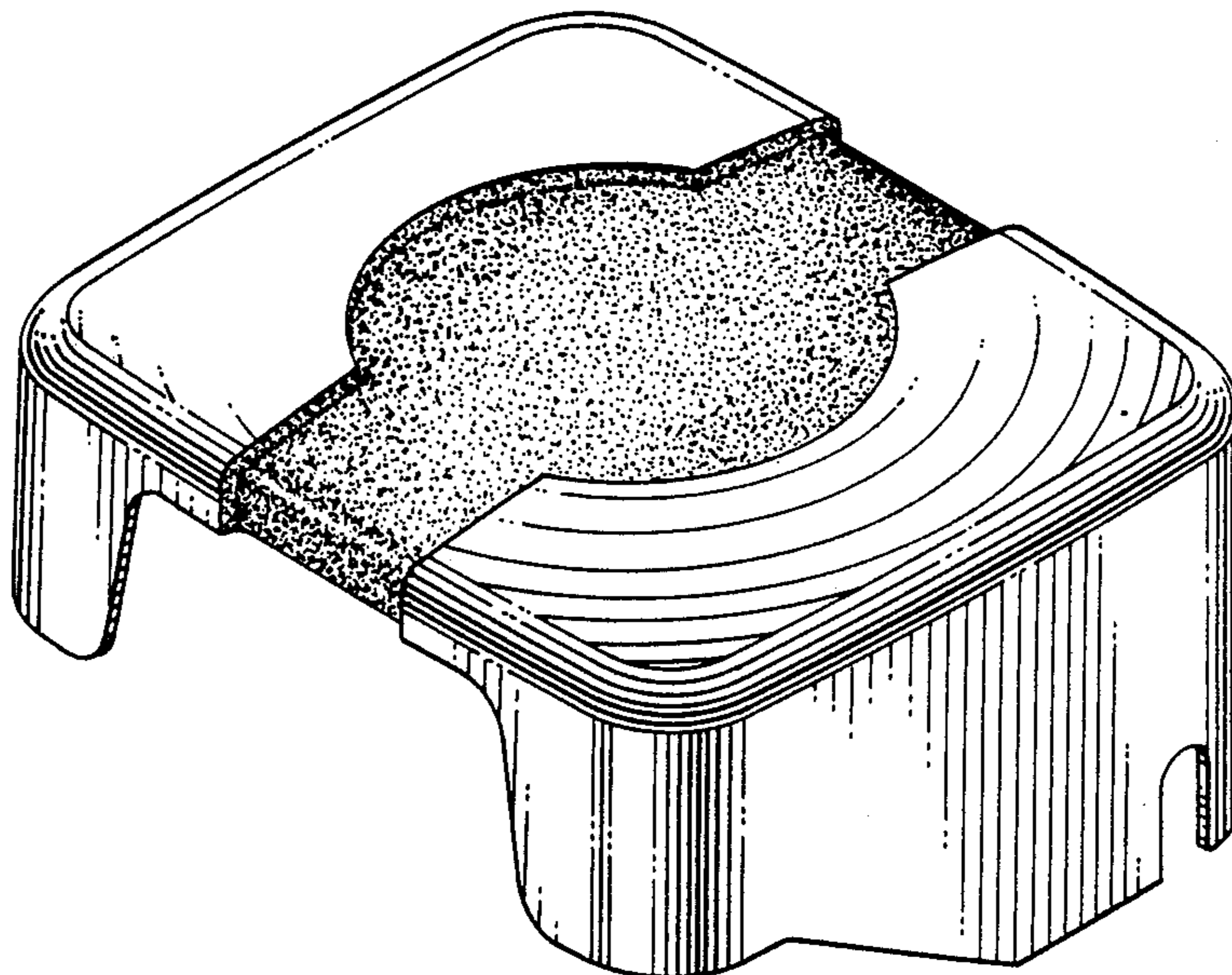
[57] **CLAIM**

The ornamental design for a motorcycle coil cover, as shown and described.

DESCRIPTION

FIG. 1 is a perspective view of a motorcycle coil cover, incorporating my new design;
FIG. 2 is a left side elevation view thereof;
FIG. 3 is a top plan view thereof; and
FIG. 4 is an end elevation view thereof the opposite end being a mirror image of that shown.

The right side of the motorcycle coil cover opposite to that of FIG. 2 is understood to be substantially flat and unornamented.



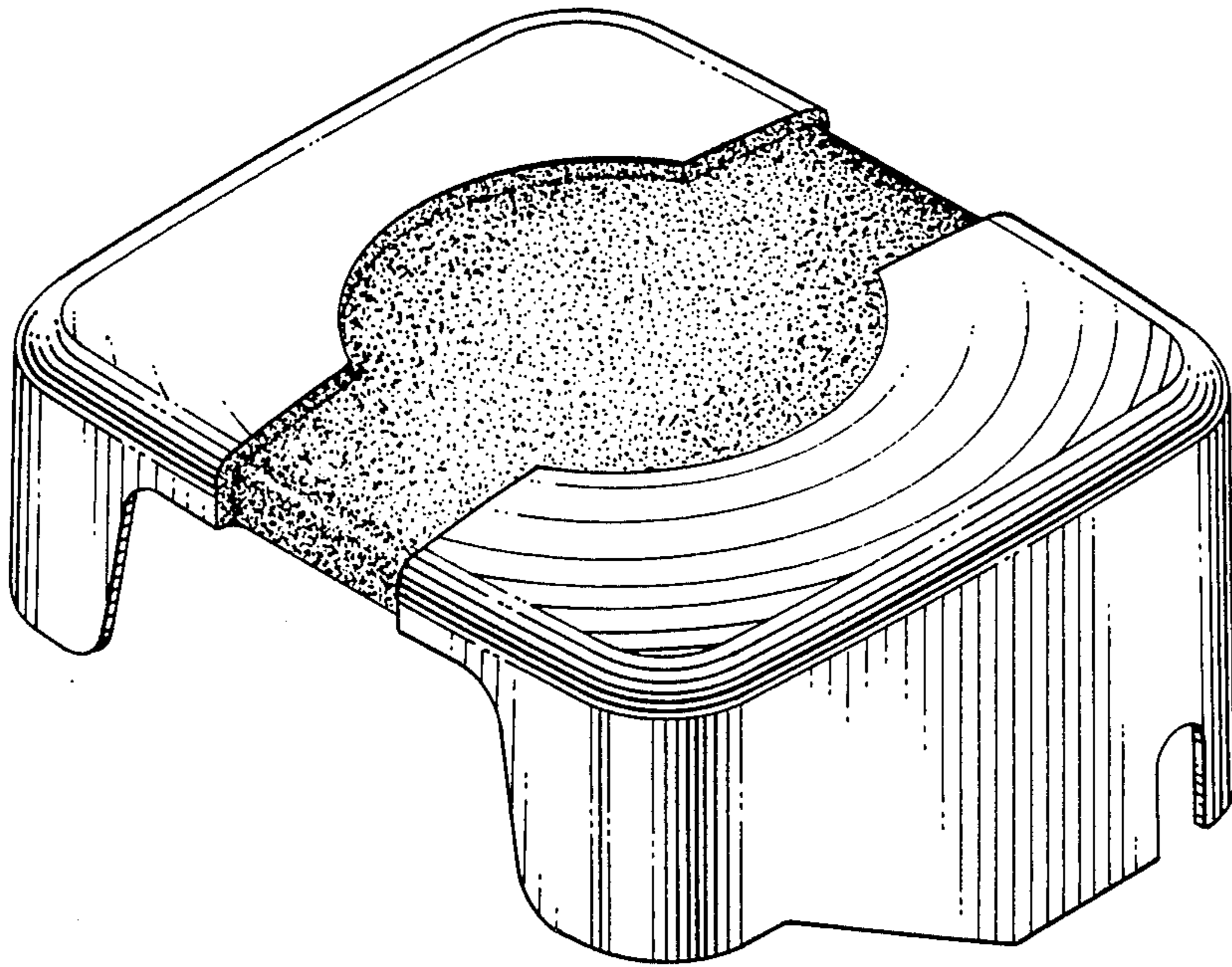


FIG. 1.

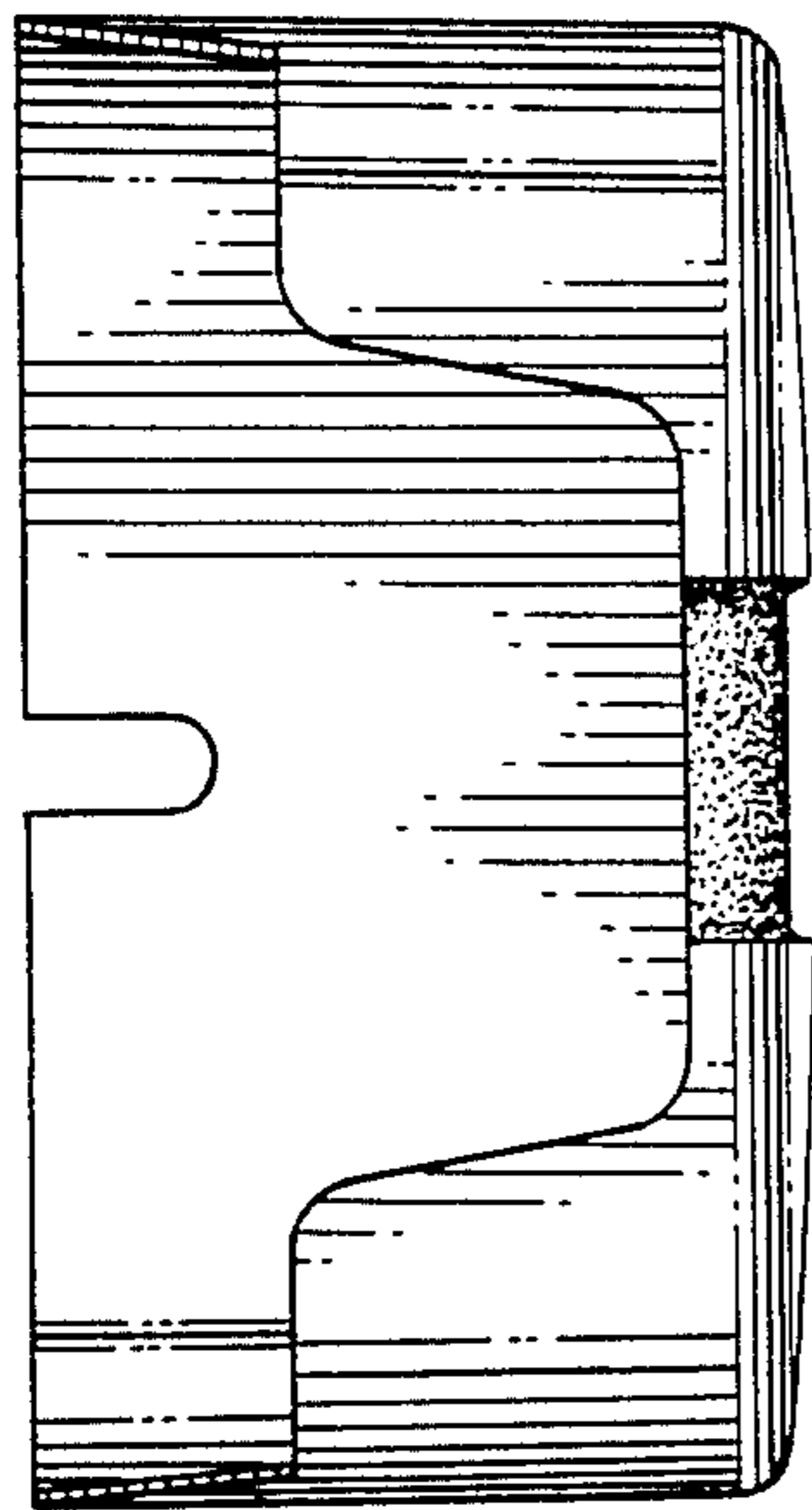


FIG. 2.

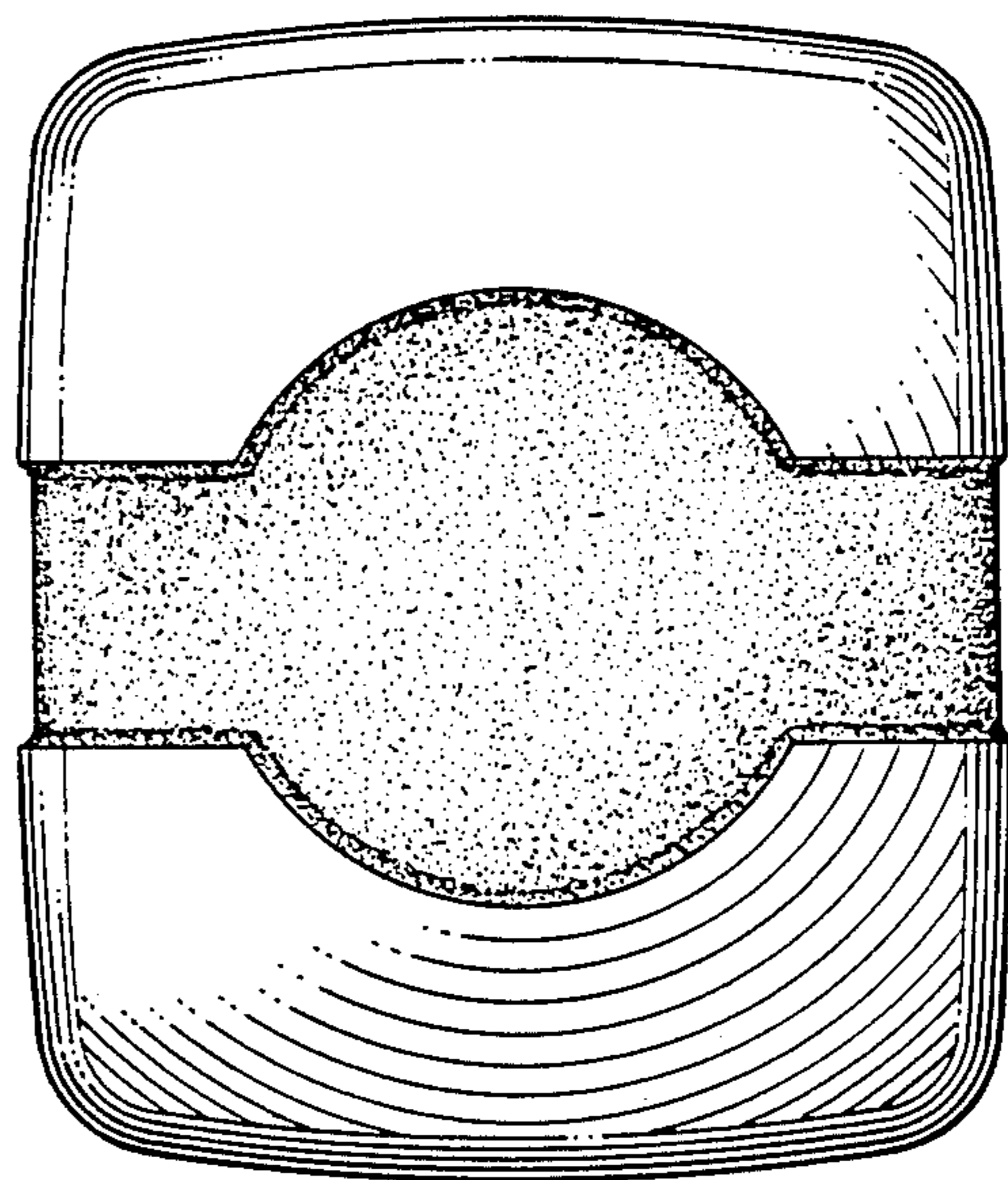


FIG. 3.

FIG. 4.

