

[54] **MOTORCYCLE OIL TRIM COVER**

[75] **Inventor: Neil F. Nagy, San Pedro, Calif.**

[73] **Assignee: Intersport Fashions West, Inc., Fullerton, Calif.**

[\*\*] **Term: 14 Years**

[21] **Appl. No.: 793,993**

[22] **Filed: Nov. 1, 1985**

[52] **U.S. Cl. .... D12/126**

[58] **Field of Search ..... D12/114, 126; 280/289 R, 289 G**

[56] **References Cited**  
**PUBLICATIONS**

J. C. Whitney Motorcycle Parts & Accessories catalog

No. 33B, ©1984, p. 67, Oil Tank Trim Cover K, upper center of page.  
1971 Harley-Davidson Accessories catalog, p. 12, Oil Tank Trim C, upper left side of page.

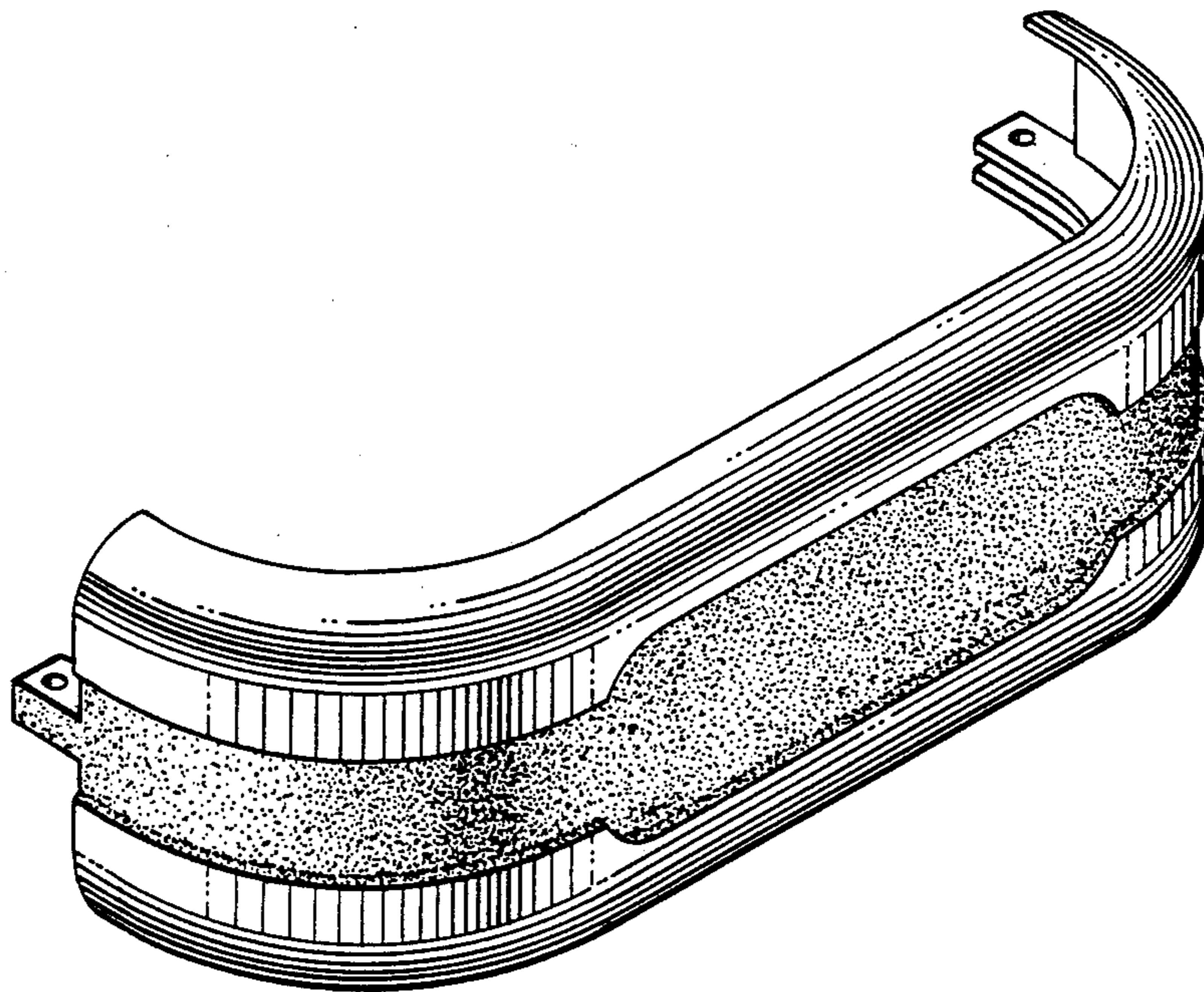
*Primary Examiner*—James M. Gandy  
*Attorney, Agent, or Firm*—Gausewitz, Carr & Rothenberg

[57] **CLAIM**

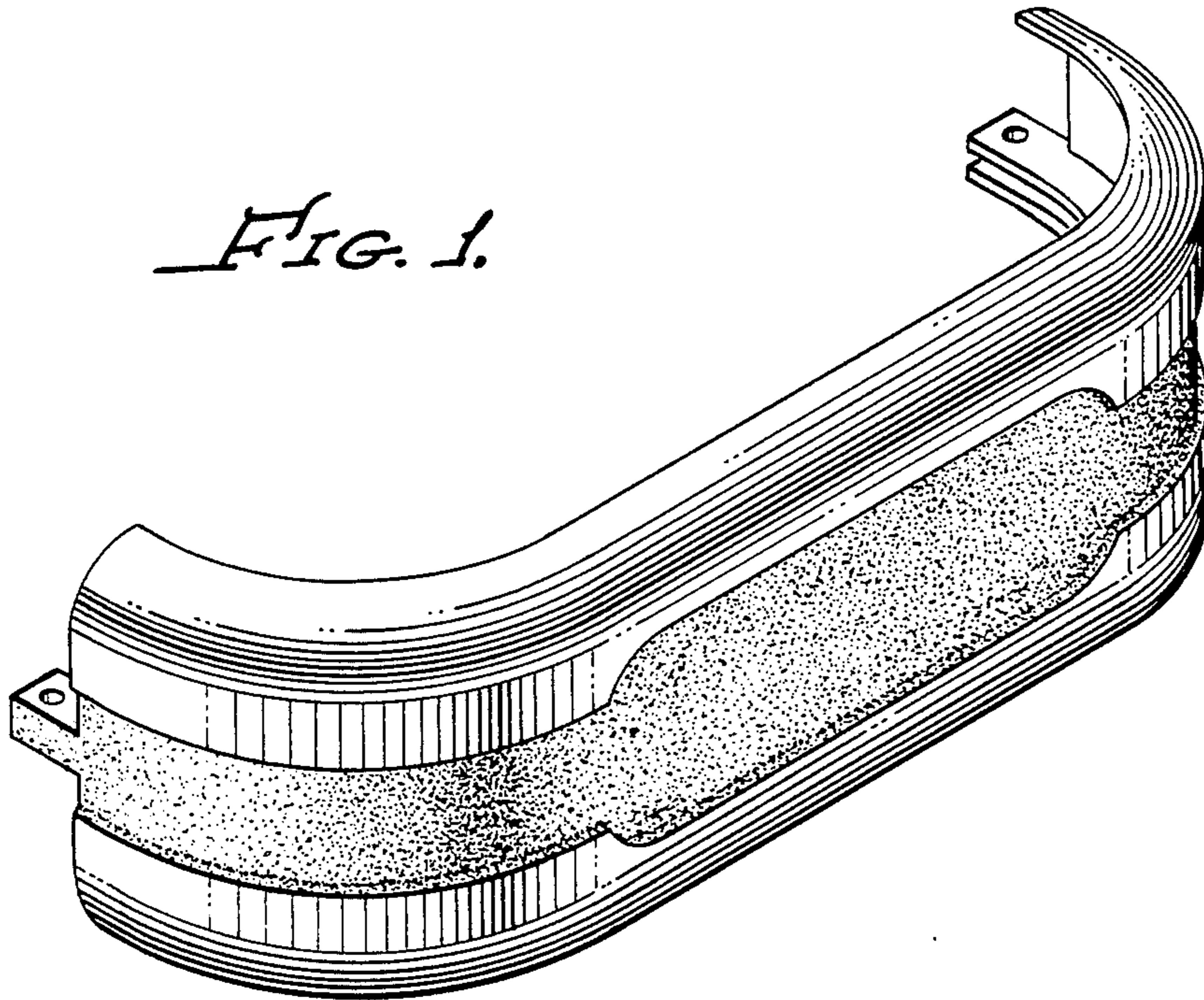
The ornamental design for a motorcycle oil trim cover, as shown and described.

**DESCRIPTION**

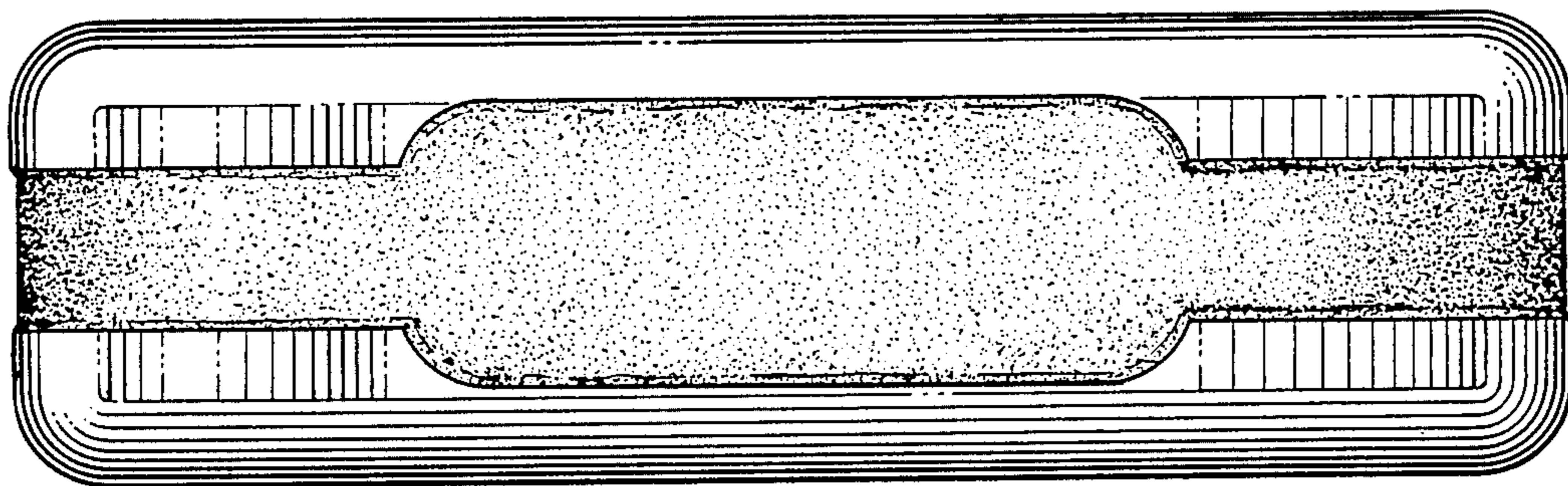
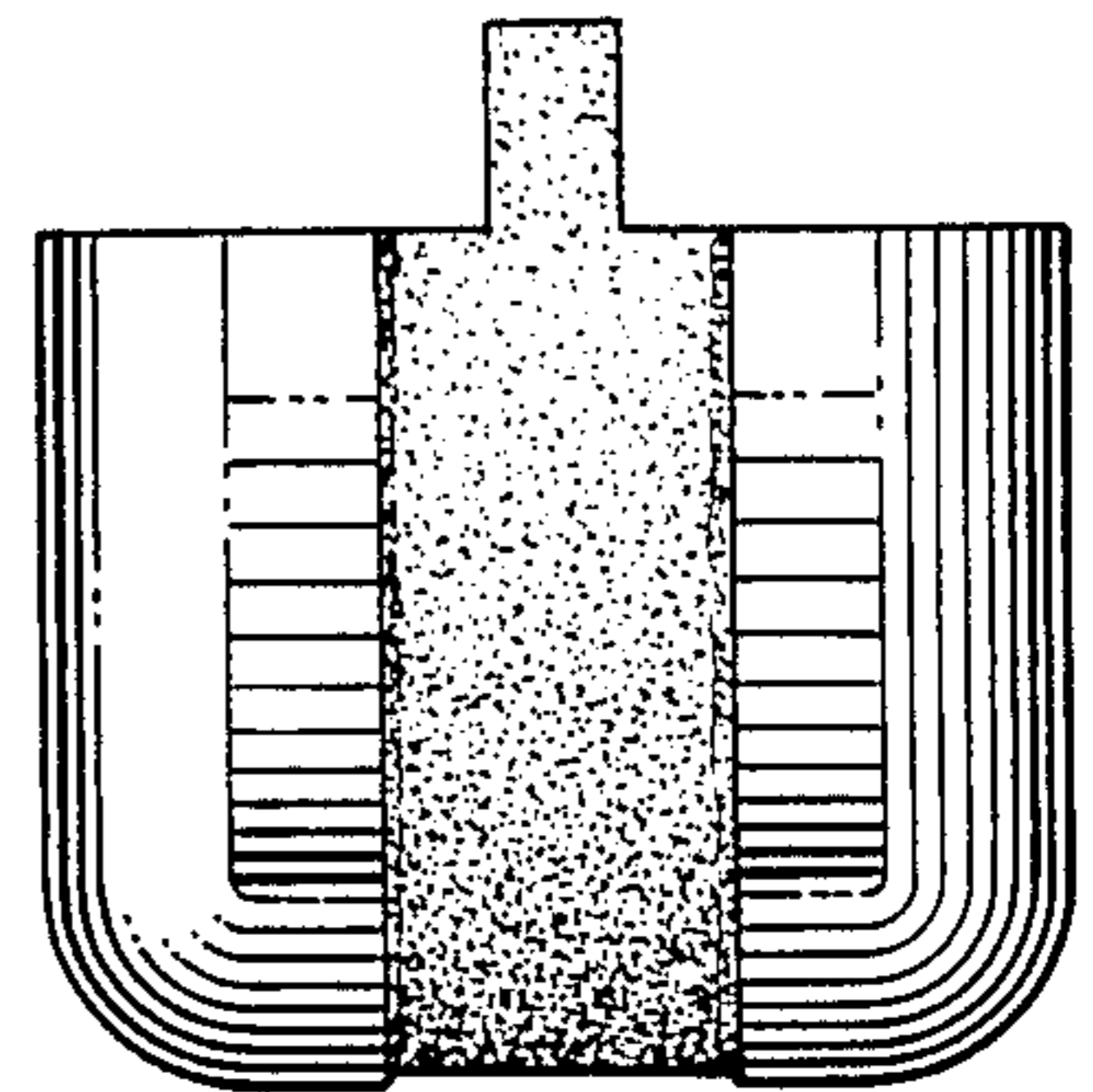
FIG. 1 is a perspective view of a motorcycle oil trim cover, incorporating my new design;  
FIG. 2 is a left side elevation view rotated 90 degrees it being understood that the right side thereof is a mirror image of the side shown;  
FIG. 3 is a front elevation view thereof; and  
FIG. 4 is a bottom plan view thereof.



*FIG. 1.*



*FIG. 2.*



*FIG. 3.*

*FIG. 4.*

