

[54] WRIST WATCH

[76] Inventor: Gianfranco Ferre', Via della Spiga 19
A, 20122 Milano, Italy

[**] Term: 14 Years

[21] Appl. No.: 772,622

[22] Filed: Sep. 4, 1985

[30] Foreign Application Priority Data

Mar. 5, 1985 [IT] Italy 35660/85[U]

[52] U.S. Cl. D10/32; D10/128;
D11/87

[58] Field of Search D10/30-39,
D10/122-128; 368/223, 229, 232, 276-285;
D11/2, 3, 19, 21, 25, 87; 63/4

[56] References Cited

U.S. PATENT DOCUMENTS

- D. 77,764 2/1929 Gruen D10/38
- D. 103,942 4/1937 Kolberg D10/38
- D. 111,530 9/1938 Wuischpard D10/38
- D. 259,186 5/1981 Perrin D10/32
- D. 284,177 6/1986 Hysek D11/87

- D. 286,621 11/1986 Perrin D10/32
- 1,778,313 10/1930 Darling D11/3 X

Primary Examiner—Nelson C. Holtje
Attorney, Agent, or Firm—Staas & Halsey

[57] CLAIM

The ornamental design for a wrist watch, as shown and described.

DESCRIPTION

FIG. 1 is a front elevational view of a wrist watch showing my new design;
FIG. 2 is a right side elevational view thereof;
FIG. 3 is a left side elevational view thereof;
FIG. 4 is a rear elevational view thereof;
FIG. 5 is a bottom plan view thereof;
FIG. 6 is a cross-sectional view thereof as taken from line 6—6 of FIG. 1;
FIG. 7 is a front elevational view thereof showing the wrist watch in extended state;
FIG. 8 is a right side elevational view thereof showing the wrist watch in extended state;
FIG. 9 is a perspective view thereof showing the wrist watch in extended state; and
FIG. 10 is a top plan view thereof.

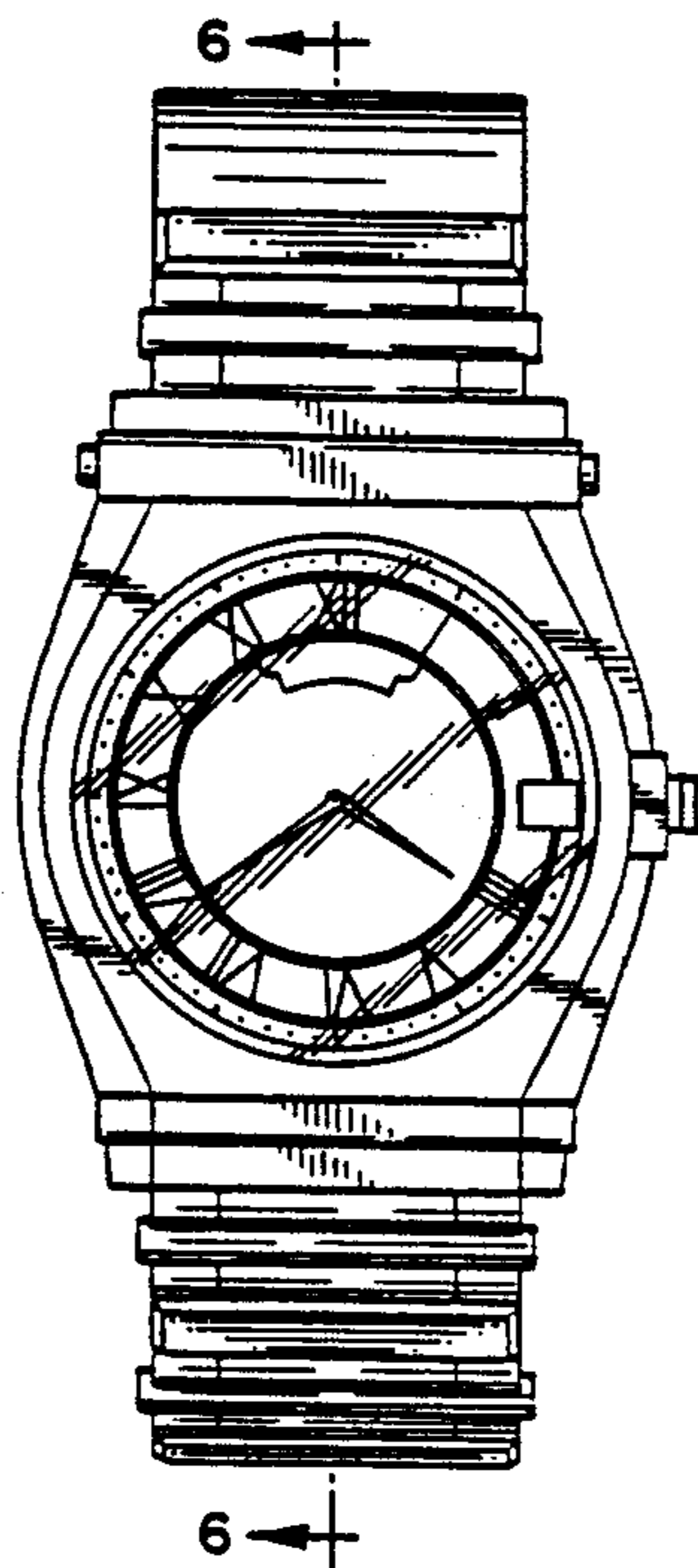


FIG. 1

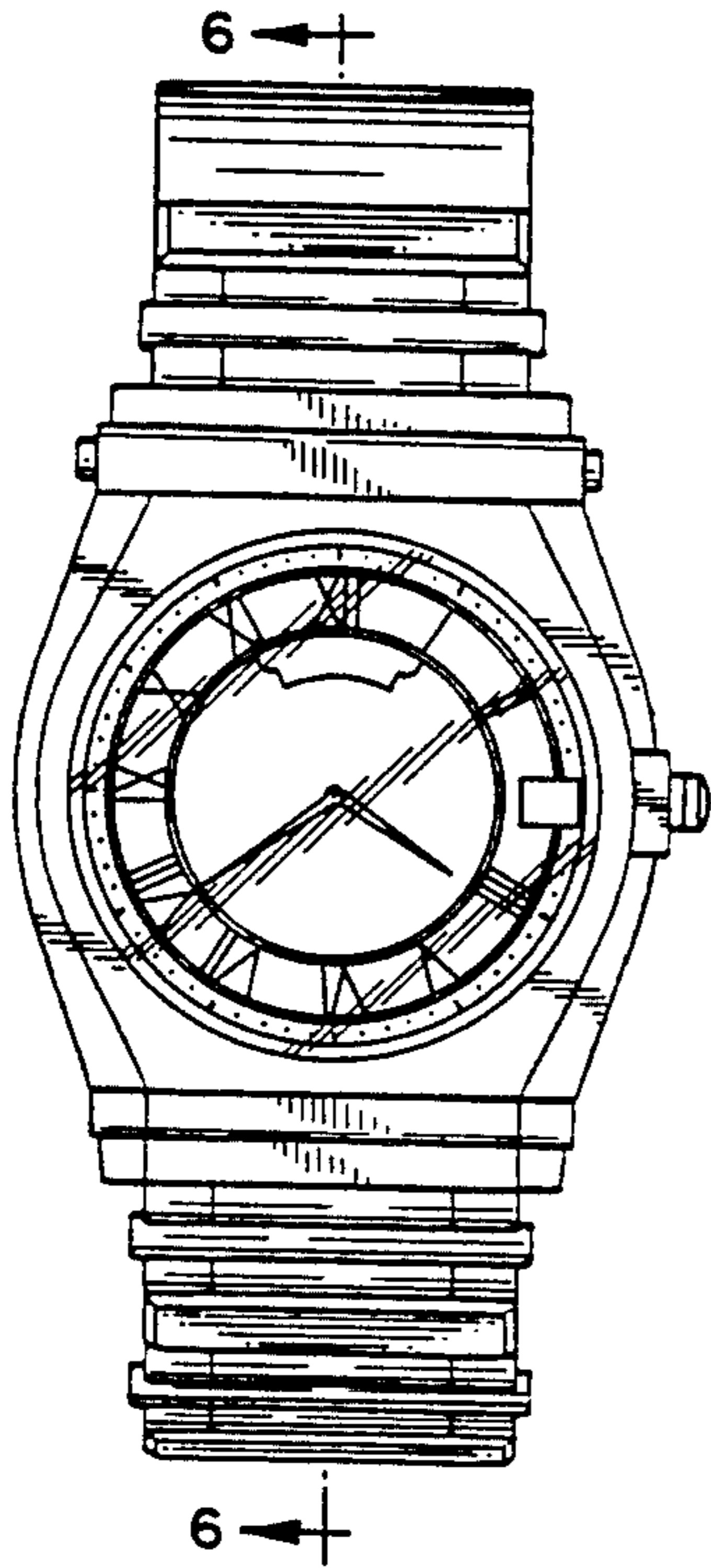


FIG. 2

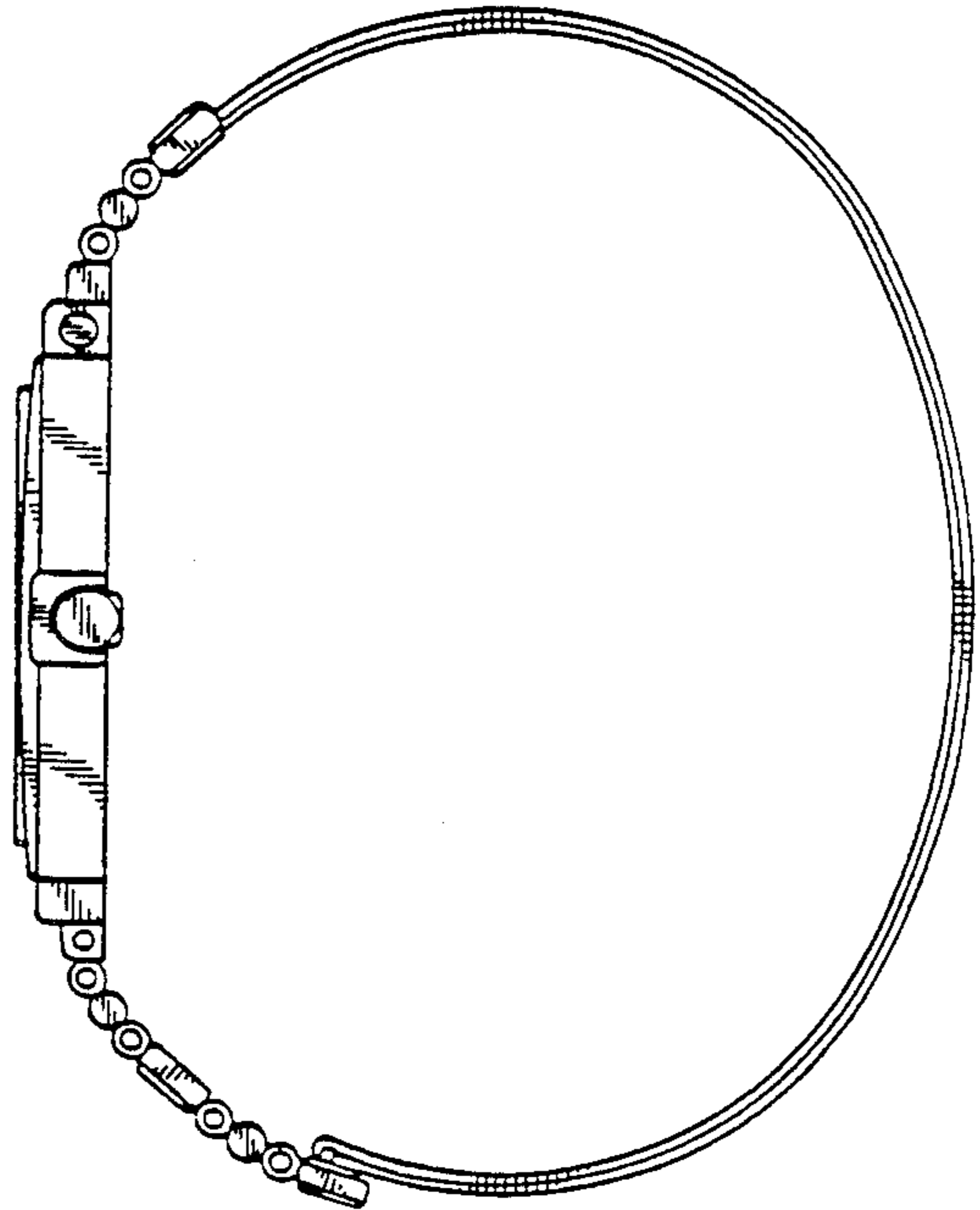


FIG. 3

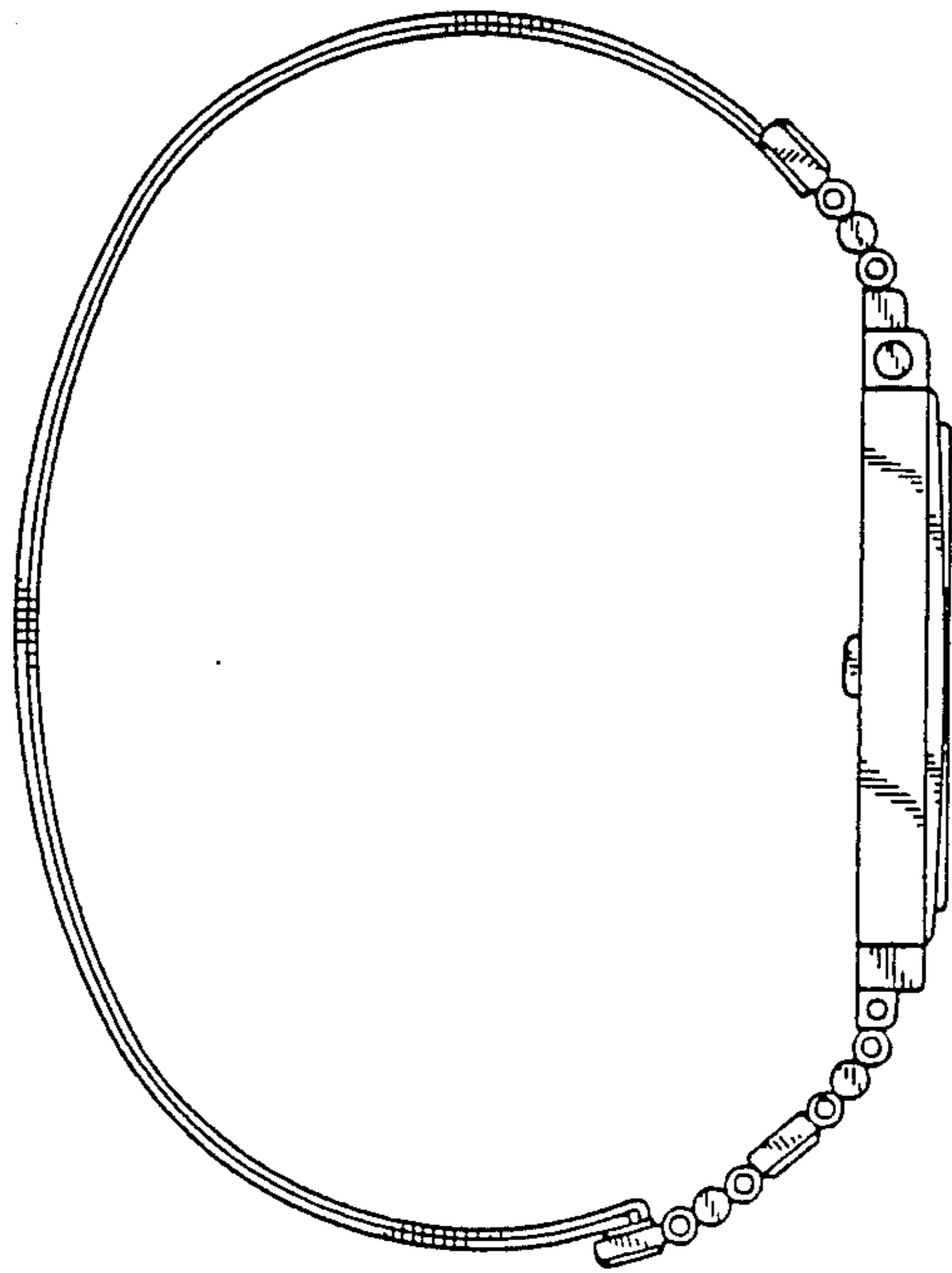


FIG. 4

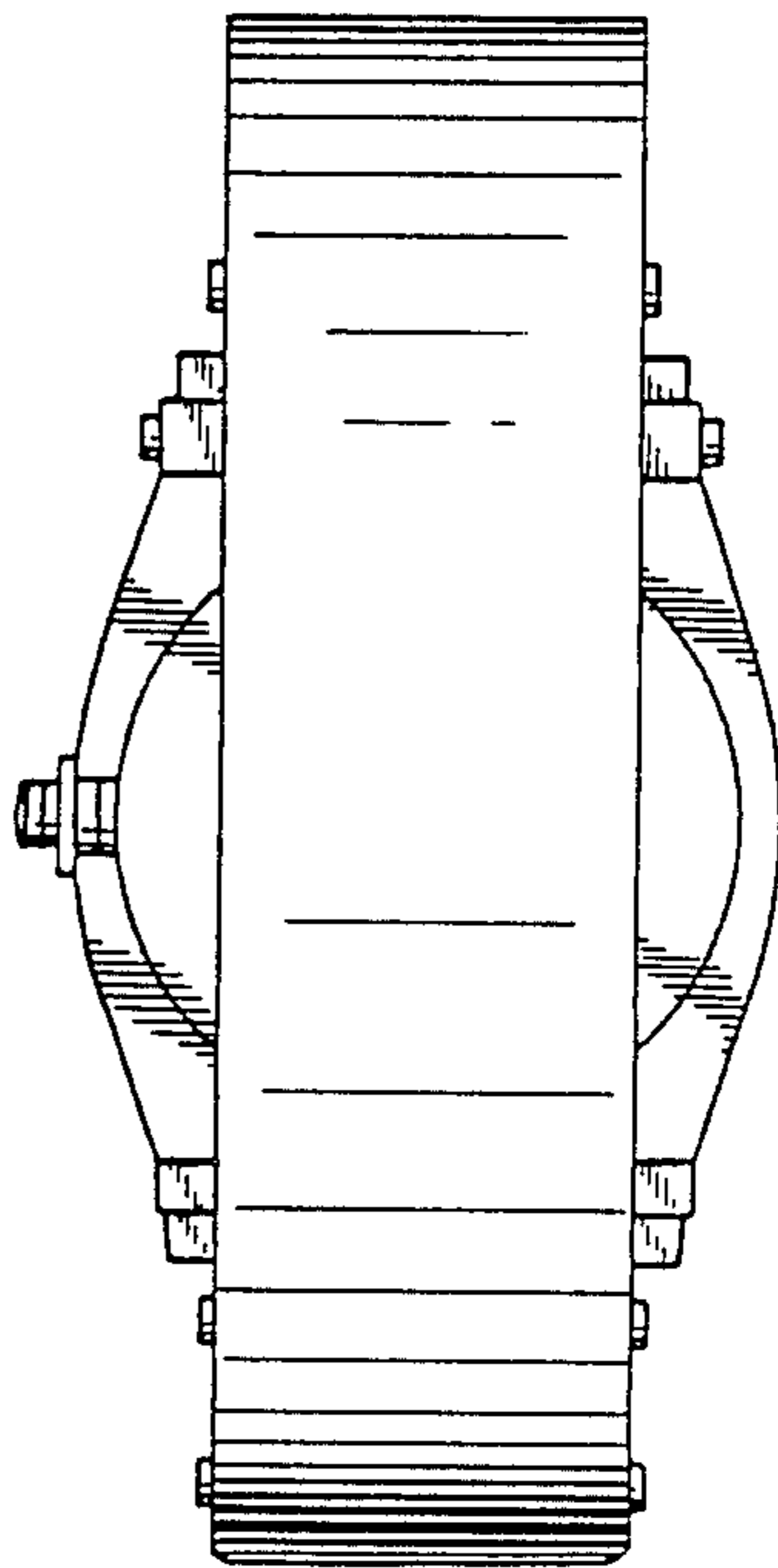


FIG. 5

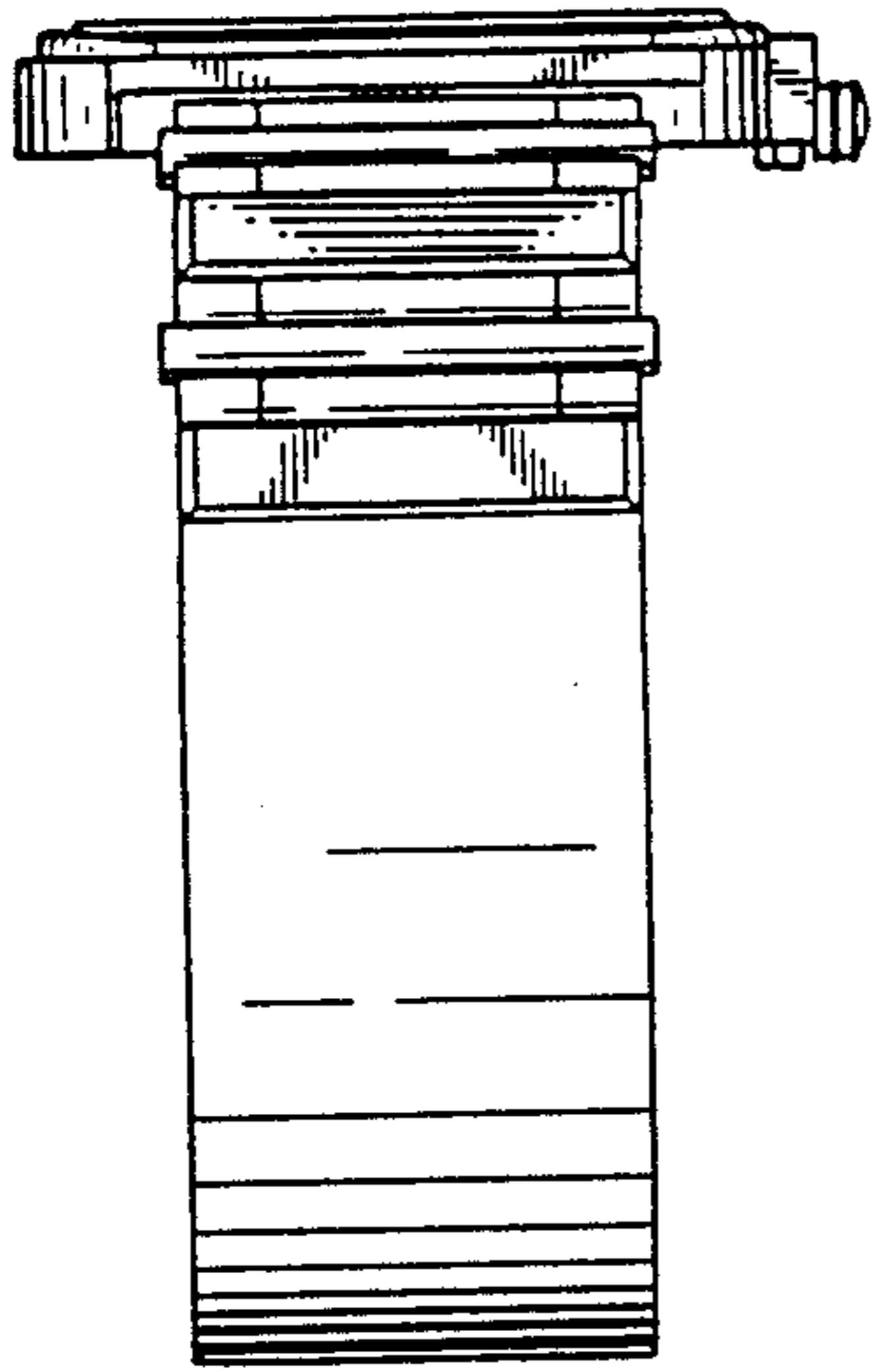


FIG. 6

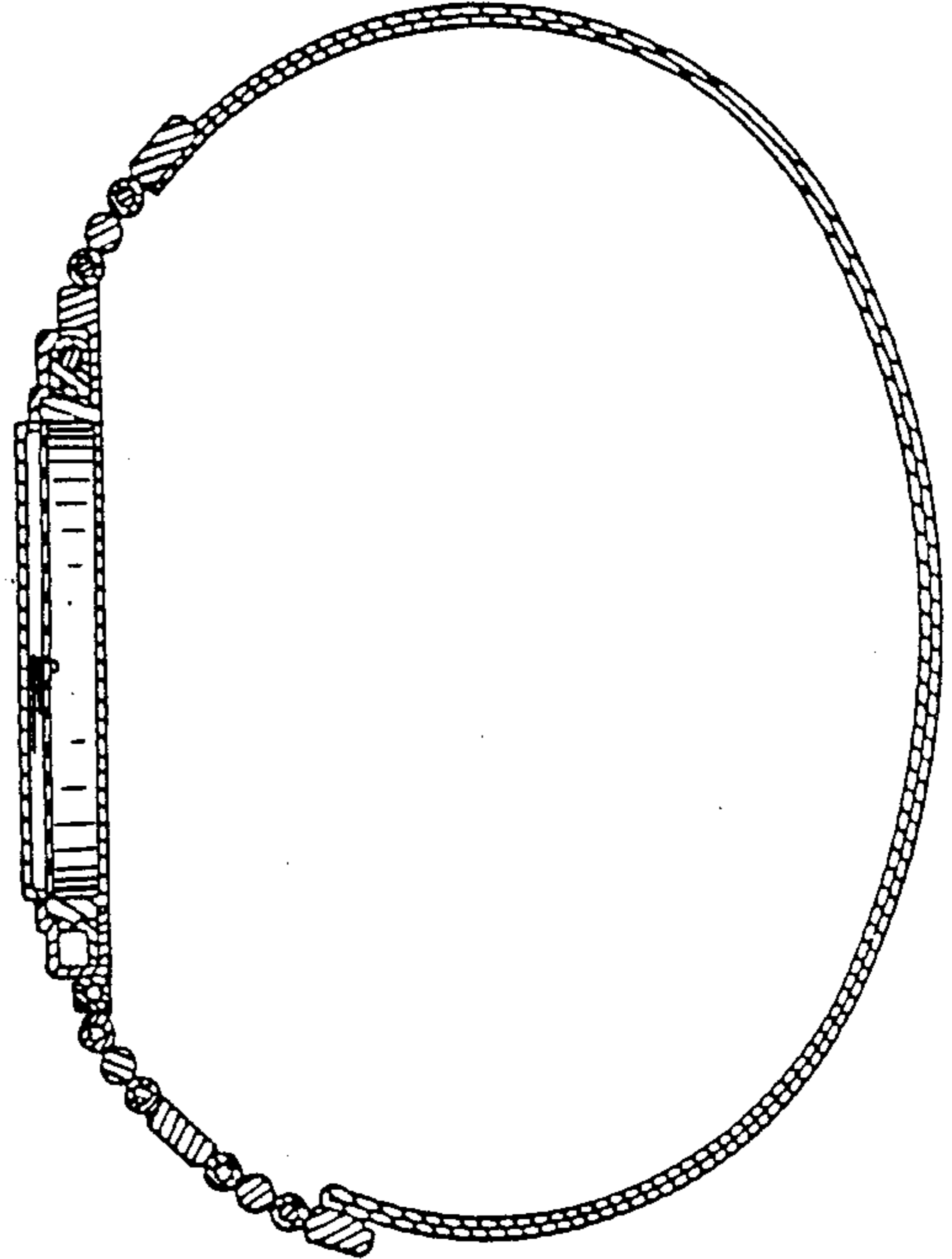


FIG. 7

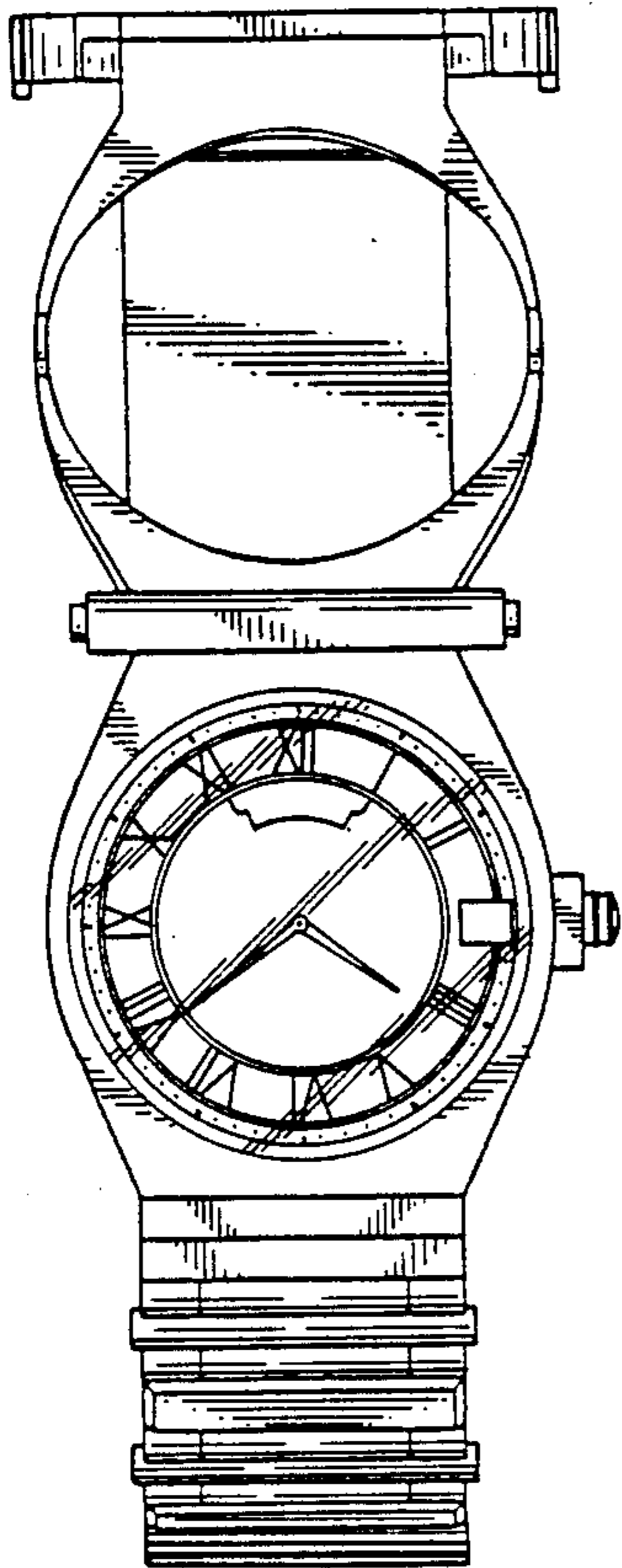


FIG. 8

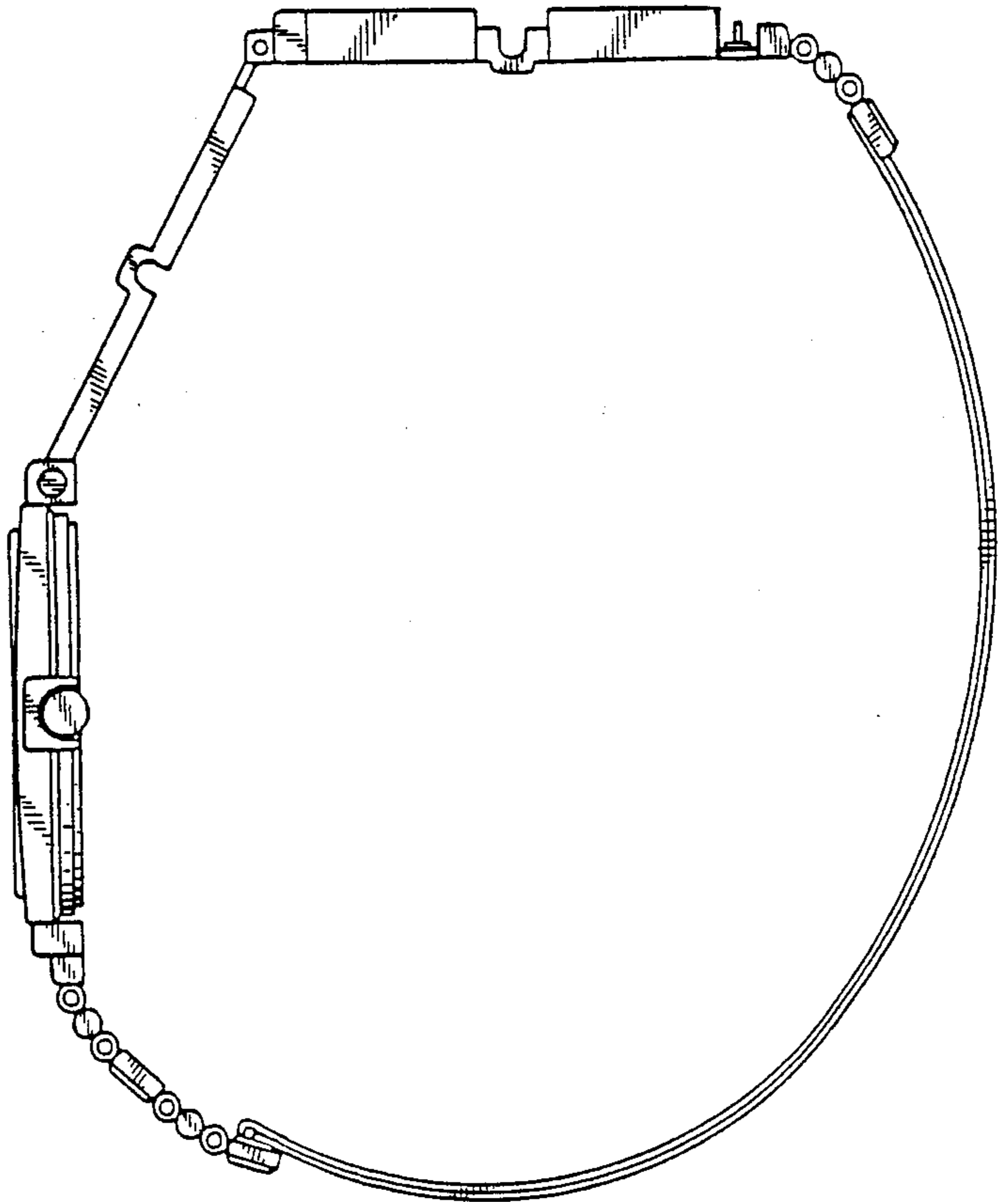


FIG. 9

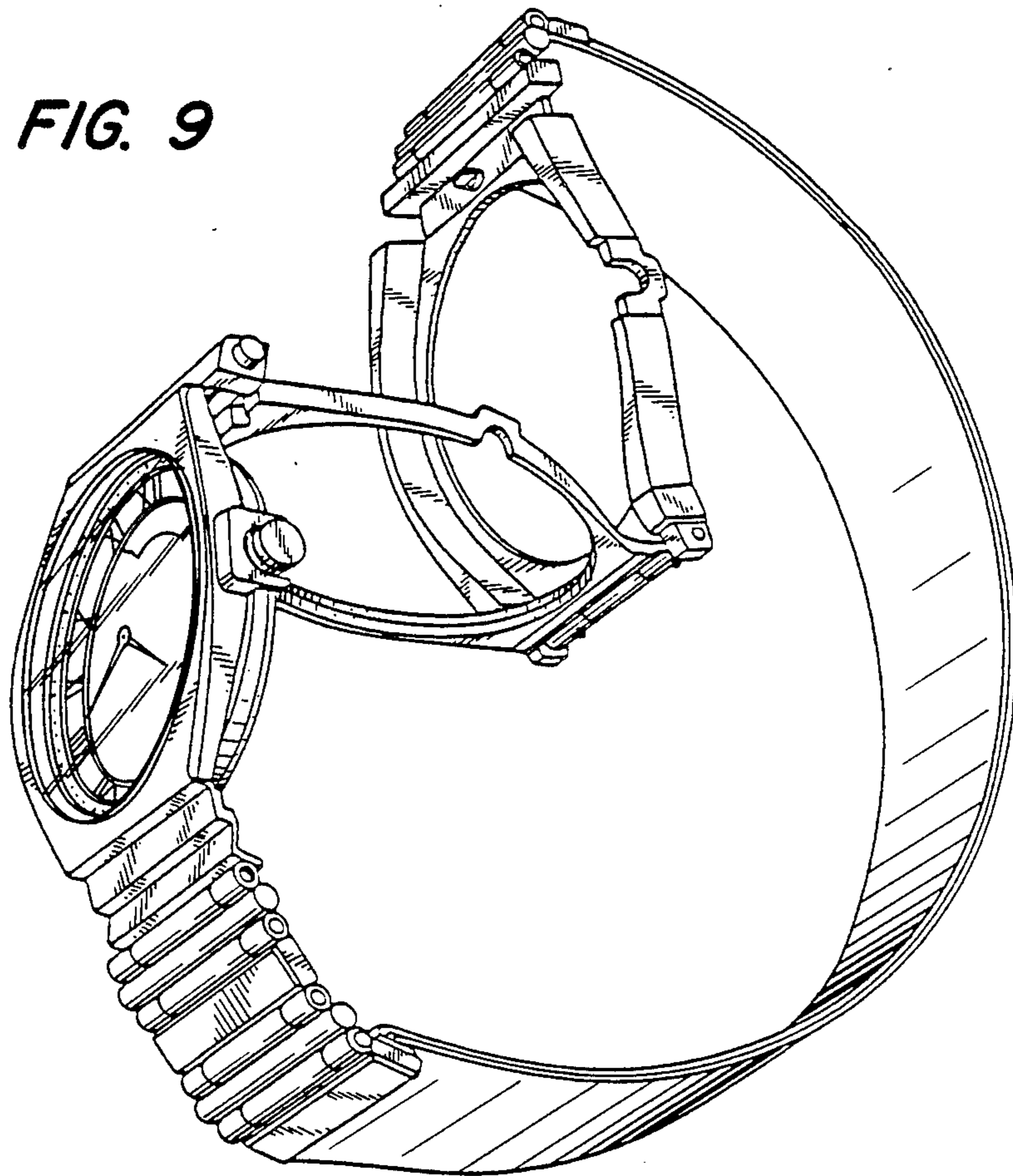


FIG. 10

