

[54] WATCH CASE

D. 73,960 11/1927 Becker D10/38 X

[75] Inventor: Harumichi Kabaya, Kanagawa, Japan

[73] Assignee: Citizen Watch Co., Ltd., Tokyo, Japan

[**] Term: 14 Years

[21] Appl. No.: 777,445

[22] Filed: Sep. 18, 1985

[30] Foreign Application Priority Data

Apr. 4, 1985 [JP] Japan 60-13632

[52] U.S. Cl. D10/30; D10/39

[58] Field of Search D10/30-39; 368/276-285

[56] References Cited

U.S. PATENT DOCUMENTS

- D. 65,309 7/1924 Strasser D10/38
- D. 66,960 3/1925 Strasser D10/38
- D. 73,956 11/1927 Becker D10/38 X

OTHER PUBLICATIONS

European Jeweler-10/81-p. 64-watch at top-left.
Swiss Watch & Jewelry Journal-2/82-p. 251-watch at top-left.

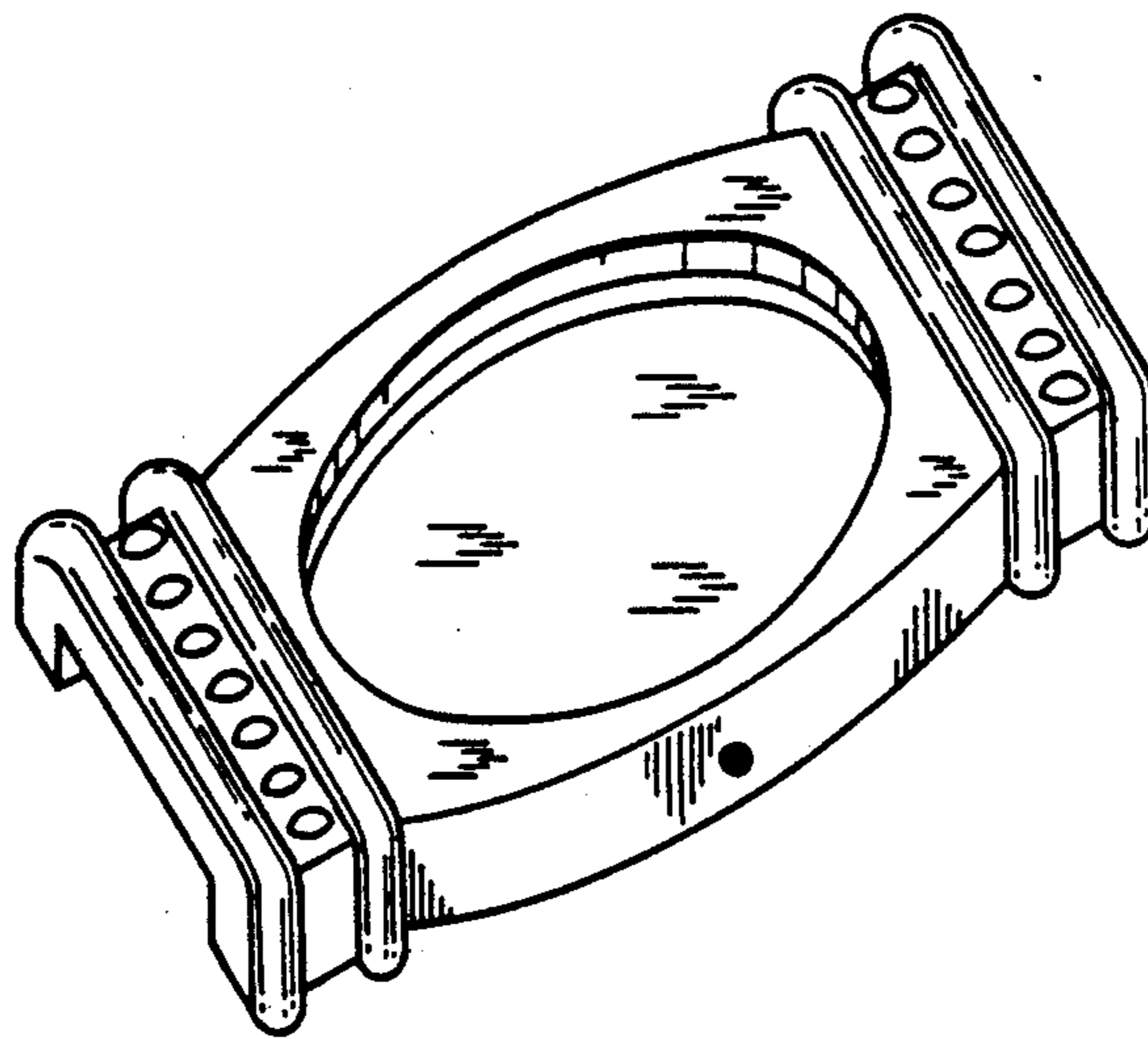
Primary Examiner-Nelson C. Holtje
Attorney, Agent, or Firm-Koda and Androlia

[57] CLAIM

The ornamental design for a watch case, as substantially shown and described.

DESCRIPTION

FIG. 1 is a front and bottom-right perspective view of a watch showing my new design;
FIG. 2 is a left side elevational view thereof;
FIG. 3 is a right side elevational view thereof;
FIG. 4 is a top plan view thereof, the bottom plan view being a mirror image thereto;
FIG. 5 is a front elevational view thereof;
FIG. 6 is a rear elevational view thereof; and
FIG. 7 is a cross-sectional view thereof as taken from line 7-7 of FIG. 5.



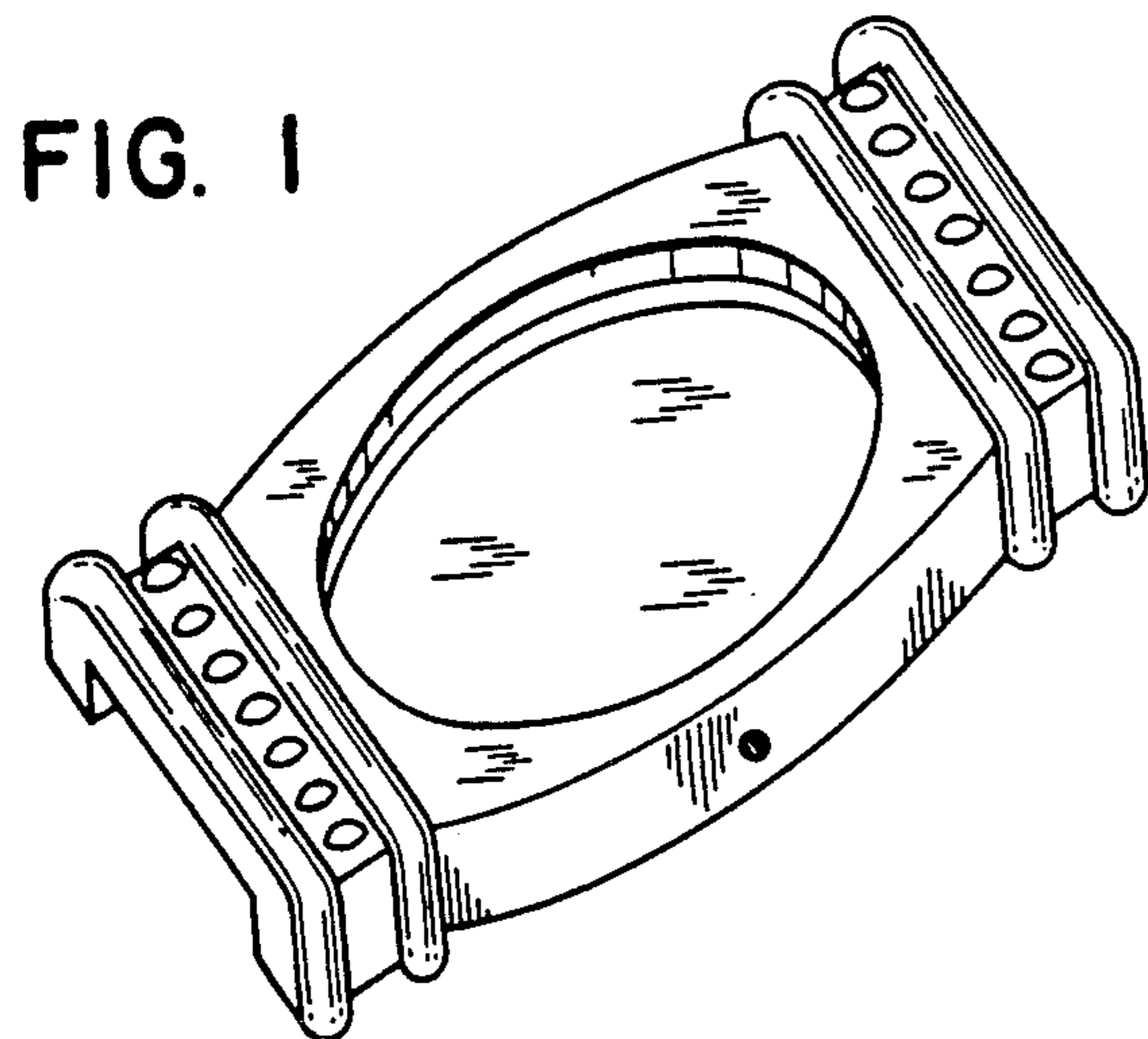


FIG. 2

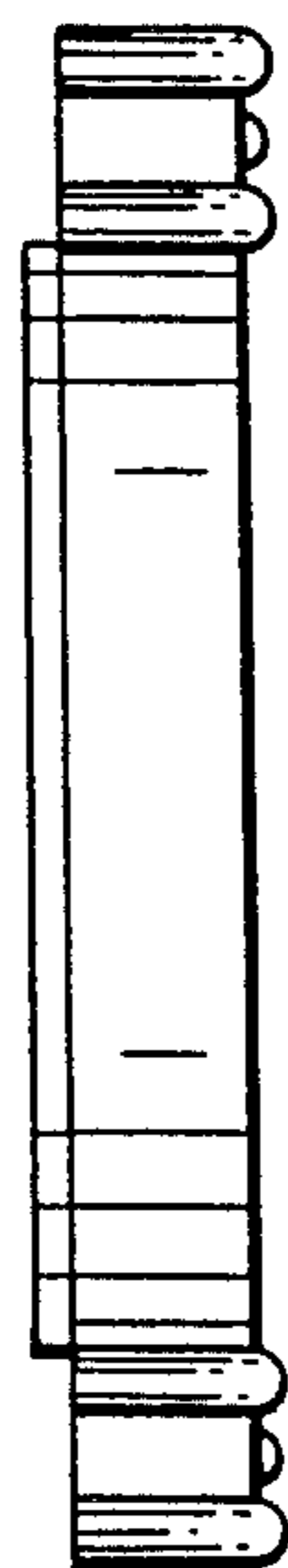


FIG. 3

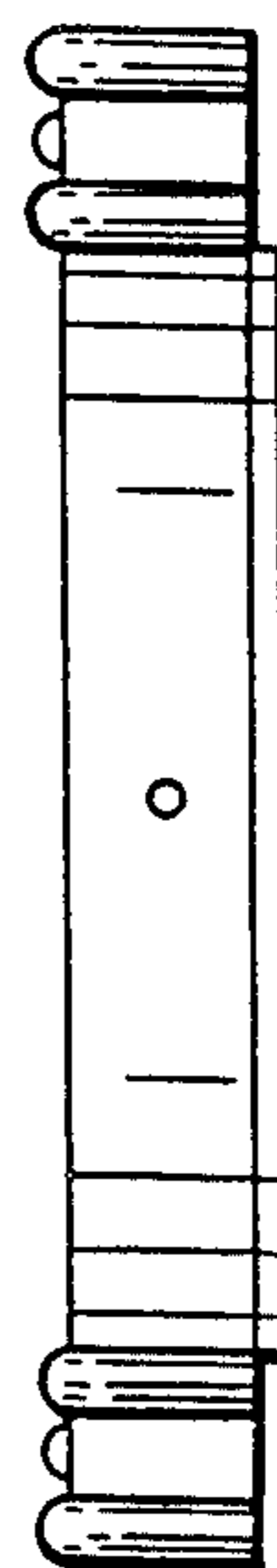


FIG. 4



FIG. 5

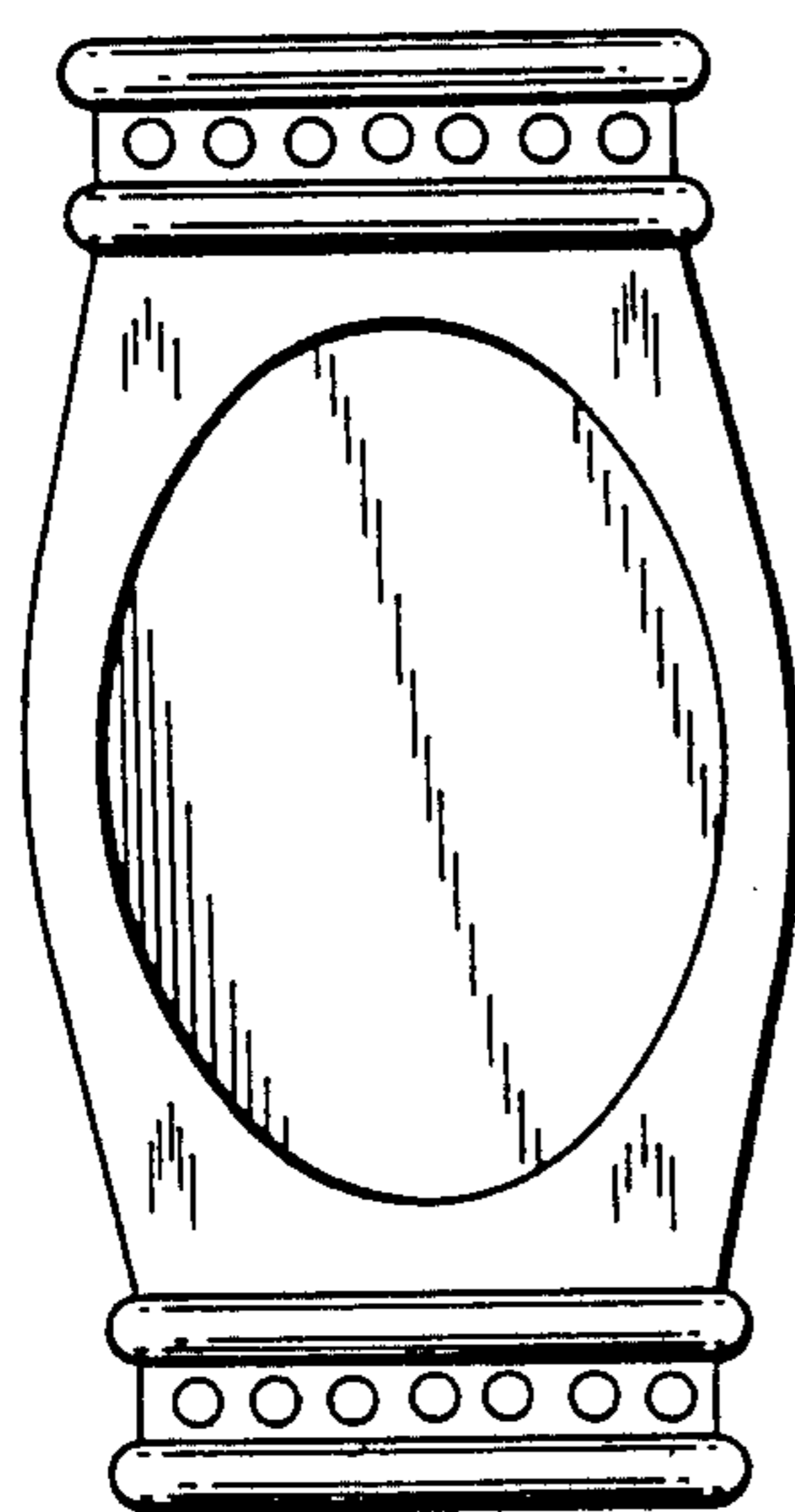


FIG. 6

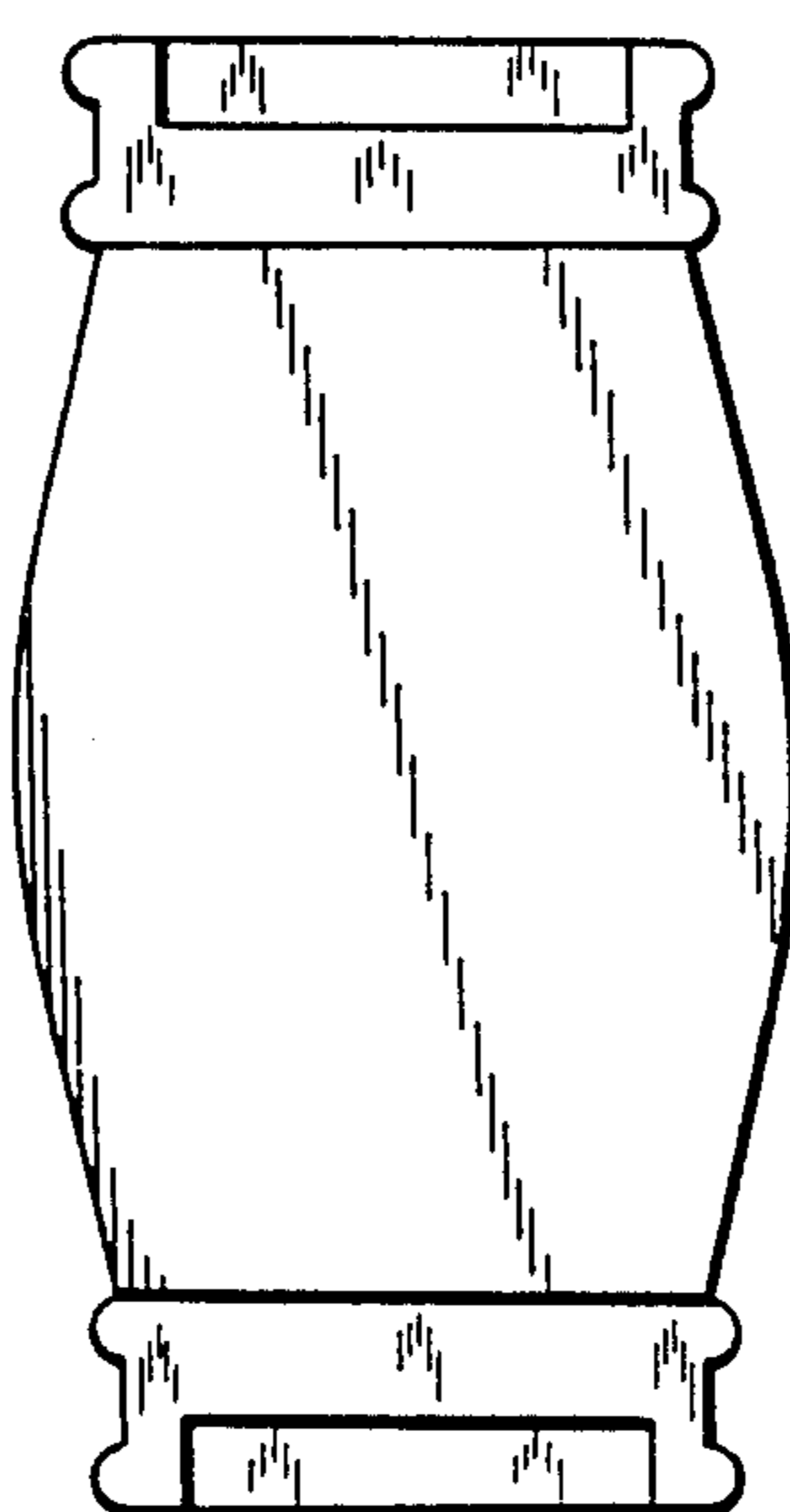


FIG. 7

