

[54] WATCH CASE

[75] Inventor: Harumichi Kabaya, Kanagawa, Japan

[73] Assignee: Citizen Watch Co., Ltd., Tokyo, Japan

[**] Term: 14 Years

[21] Appl. No.: 777,244

[22] Filed: Sep. 18, 1985

[30] Foreign Application Priority Data

Apr. 4, 1985 [JP] Japan 60-13636

[52] U.S. Cl. D10/30; D10/39

[58] Field of Search D10/1-39, D10/122-128; 368/276-277, 281-282, 285

[56] References Cited

U.S. PATENT DOCUMENTS

- D. 155,602 10/1949 Grilikhes D10/38
- D. 265,063 6/1982 Iida D10/38
- D. 271,946 12/1983 Dubashi D10/38
- D. 283,985 5/1986 Sakamaki D10/39

- D. 284,177 6/1986 Hysek D11/87
- 1,462,076 7/1923 Spiro 368/276
- 1,491,616 4/1924 Norring 368/281

OTHER PUBLICATIONS

Jeweler's Circular-Keystone-2/82-p. 176-watch #4 near center.

*Primary Examiner—Nelson C. Holtje
Attorney, Agent, or Firm—Koda and Androlia*

[57] CLAIM

The ornamental design for a watch case, as substantially shown and described.

DESCRIPTION

FIG. 1 is a perspective view of the watch case showing my new design;
 FIG. 2 is a top plan view thereof, and the bottom plan view is identical;
 FIG. 3 is a front elevational view thereof;
 FIG. 4 is a rear elevational view thereof;
 FIG. 5 is a left side elevational view thereof;
 FIG. 6 is a cross sectional view taken along the line 6-6 of FIG. 3; and
 FIG. 7 is a right side elevational view thereof.

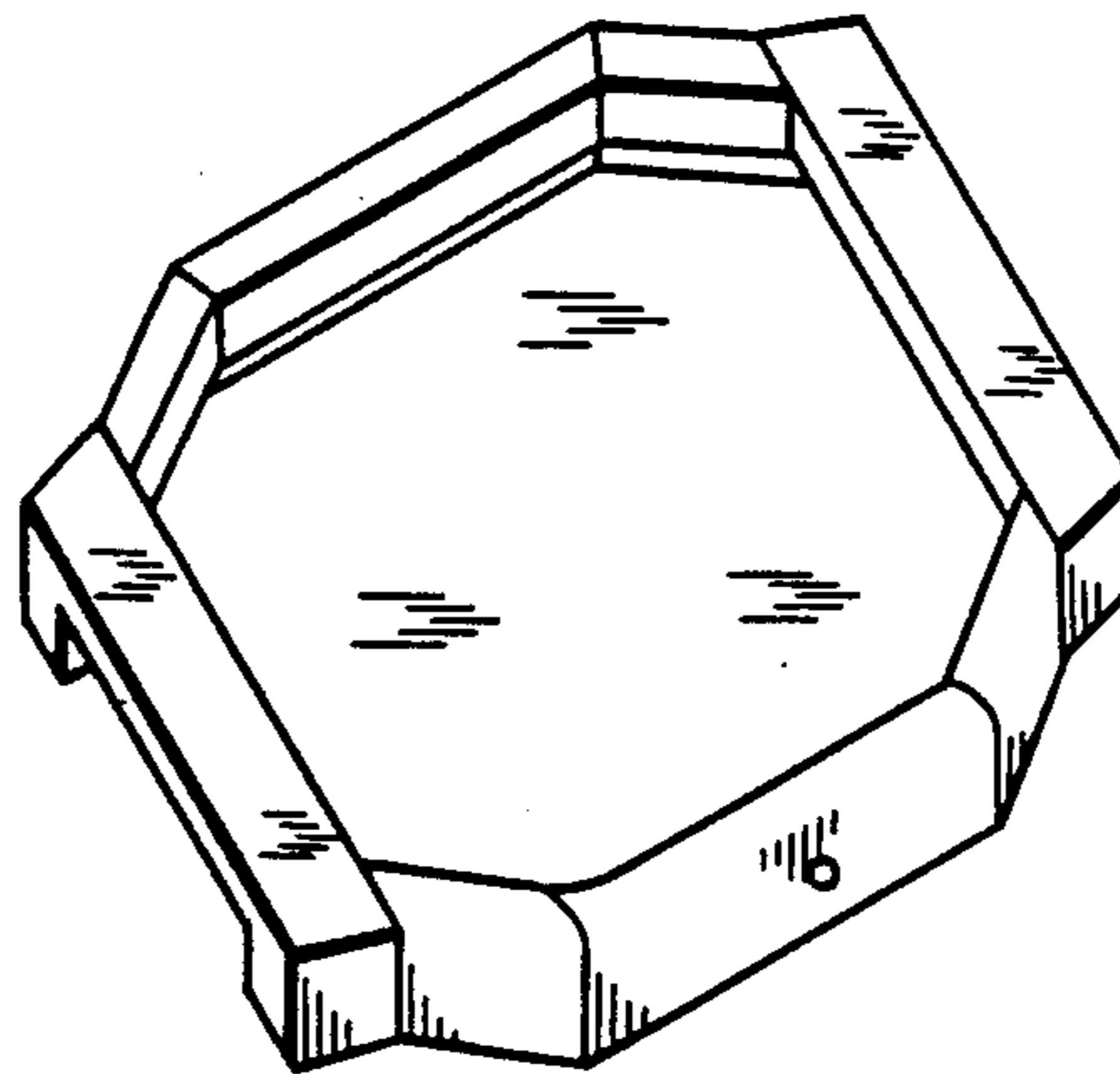


Fig. 1

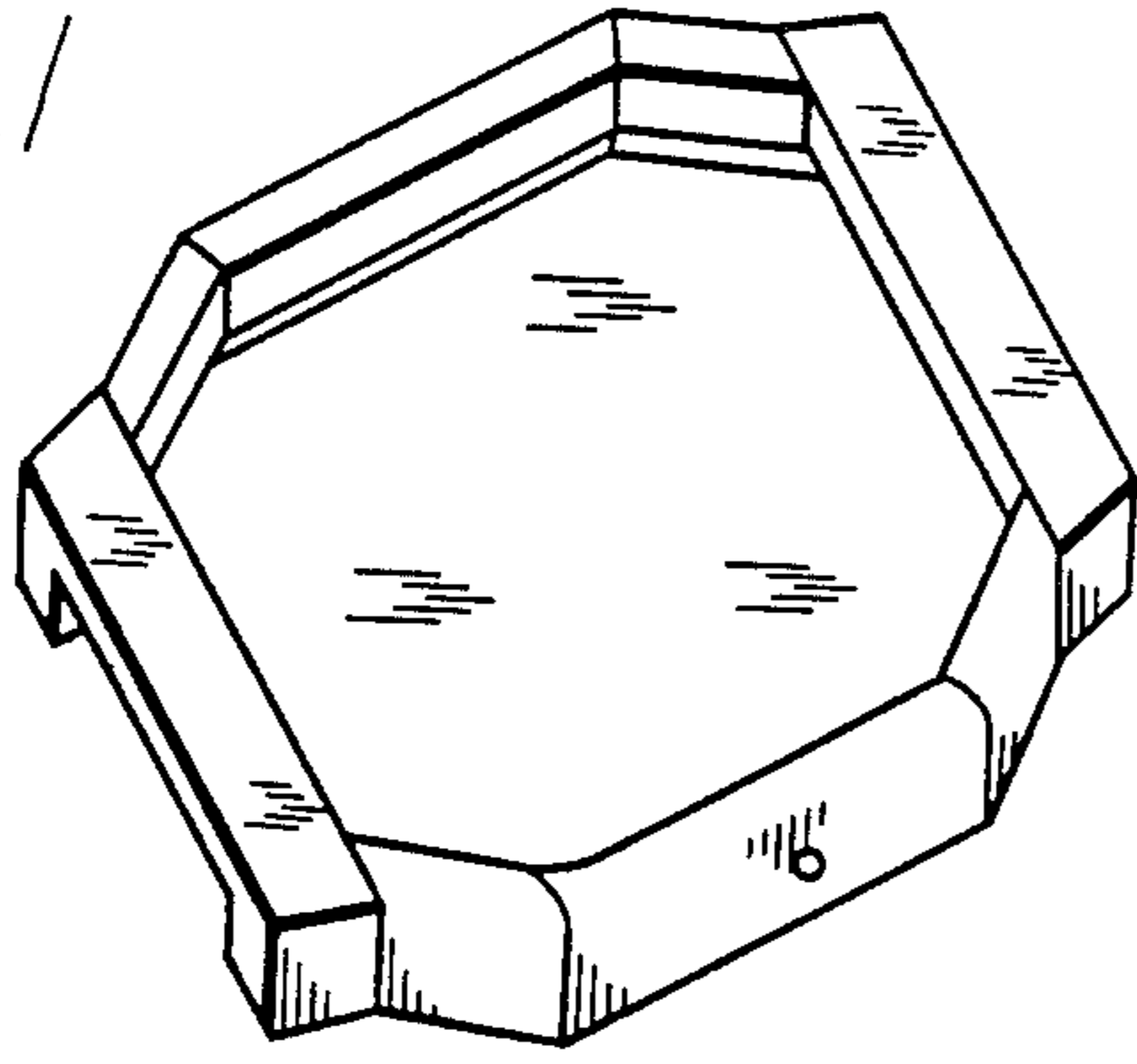


Fig. 2

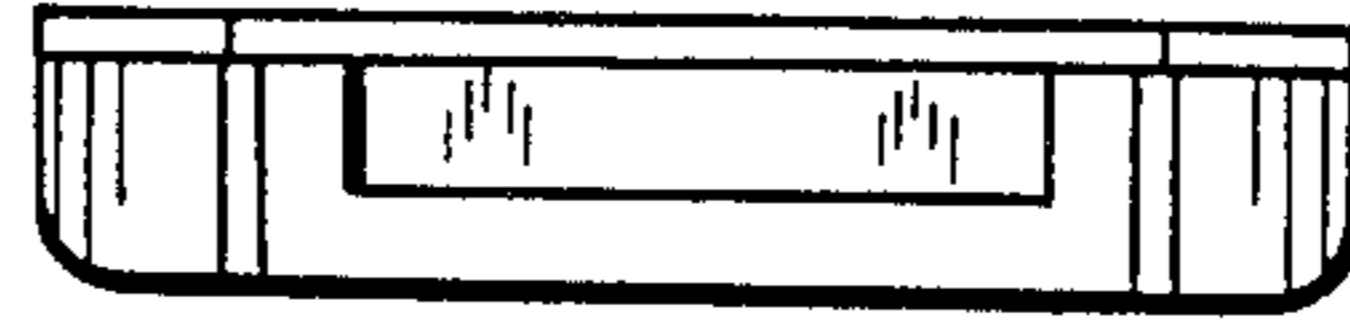


Fig. 3

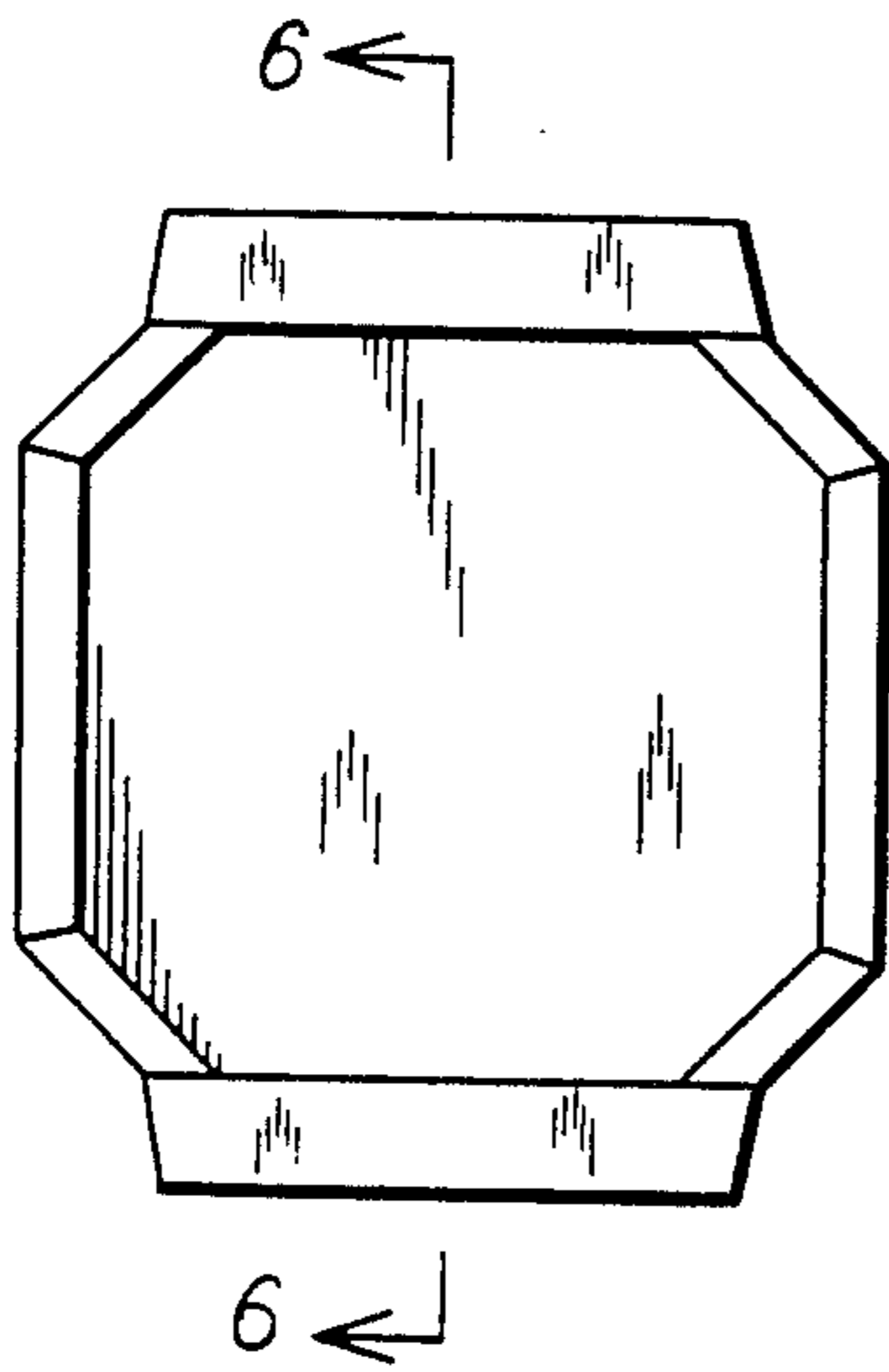


Fig. 4

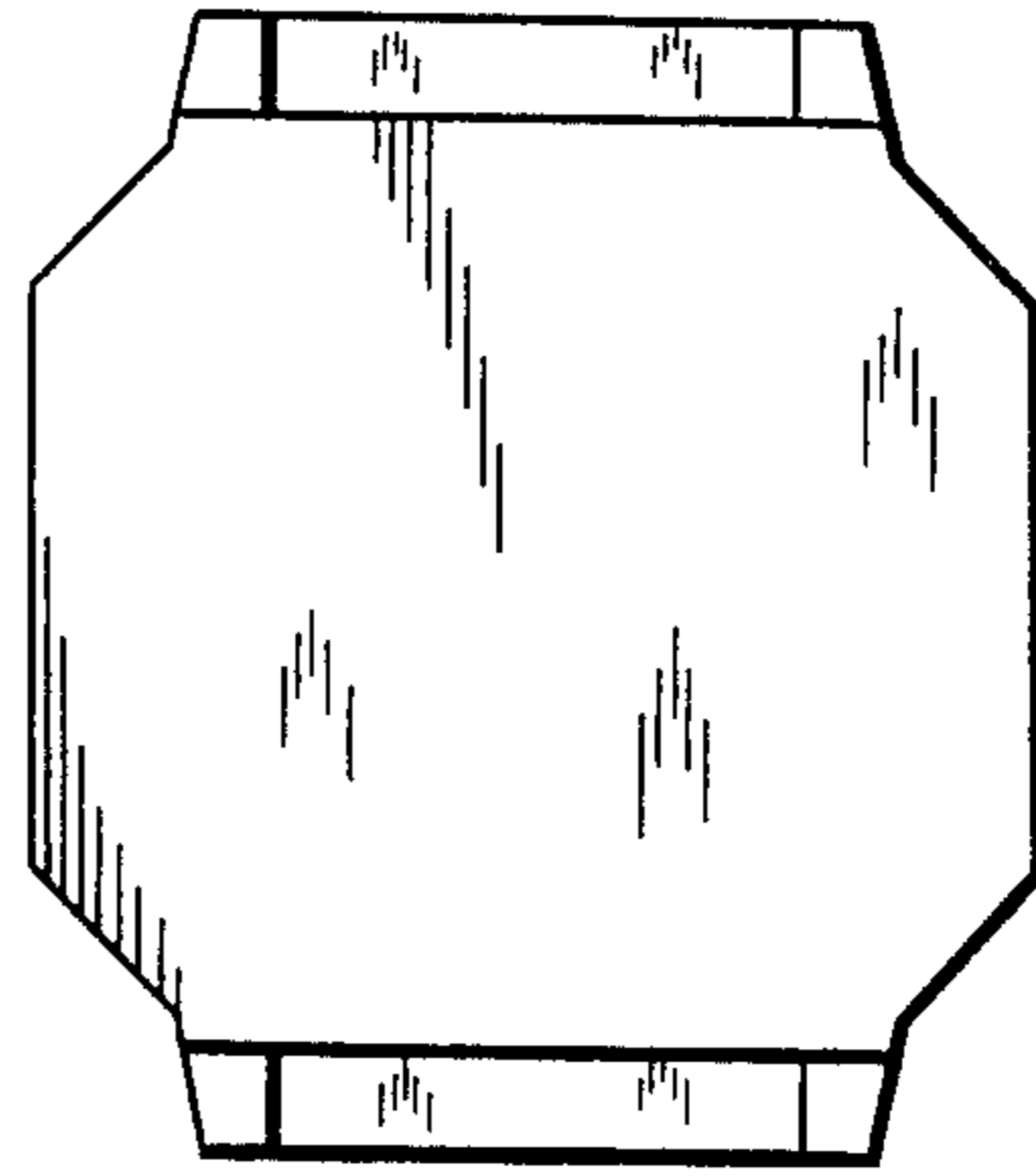


Fig. 5



Fig. 6



Fig. 7

