

[54] COMBINED ANTI-ROTATIONAL BRACKET AND SNAP-IN CLIP

[75] Inventors: Charles Chase, East Meadow; Stanley S. Brenner, Massapequa, both of N.Y.

[73] Assignee: Leviton Manufacturing Company, Inc.

[\*\*] Term: 14 Years

[21] Appl. No.: 777,882

[22] Filed: Sep. 23, 1985

[52] U.S. Cl. .... D8/373; D8/395

[58] Field of Search ..... D8/354, 355, 366, 394, D8/373, 395; 24/295, 289, 336, 573; 248/273

[56] References Cited

U.S. PATENT DOCUMENTS

D. 204,159	3/1966	Piasecki	.....	D8/395
D. 256,663	9/1980	Gilb	.....	D8/366 X
D. 260,481	9/1981	Norcross et al.	.....	D8/394
2,144,171	1/1939	Van Uum	.....	24/295
2,872,139	2/1959	Bedford, Jr.	.....	248/27.3
2,875,493	3/1959	Meyer	.....	24/295

3,941,965	3/1976	Piber	.....	248/27.3
4,080,522	3/1978	Schimmels	.....	248/27.3
4,261,151	4/1981	Ito	.....	24/573
4,430,776	2/1984	Shimizu et al.	.....	24/573
4,506,419	3/1985	Mitomi	.....	24/573 X

Primary Examiner—Wallace R. Burke  
Assistant Examiner—Horace B. Fay, Jr.  
Attorney, Agent, or Firm—Paul J. Sutton

[57] CLAIM

The ornamental design for a combined anti-rotational bracket and snap-in clip, as shown and described.

DESCRIPTION

FIG. 1 is a left side, top and front perspective view of a combined anti-rotational bracket and snap-in clip, showing our new design;  
FIG. 2 is a top plan view thereof;  
FIG. 3 is a front elevational view thereof;  
FIG. 4 is a right side elevational view thereof the left side elevational view being substantially a mirror image;  
FIG. 5 is a rear elevational view thereof; and,  
FIG. 6 is a bottom plan view thereof.  
FIGS. 2-6 are shown in reduced scale for convenience of illustration and facility of illustration.

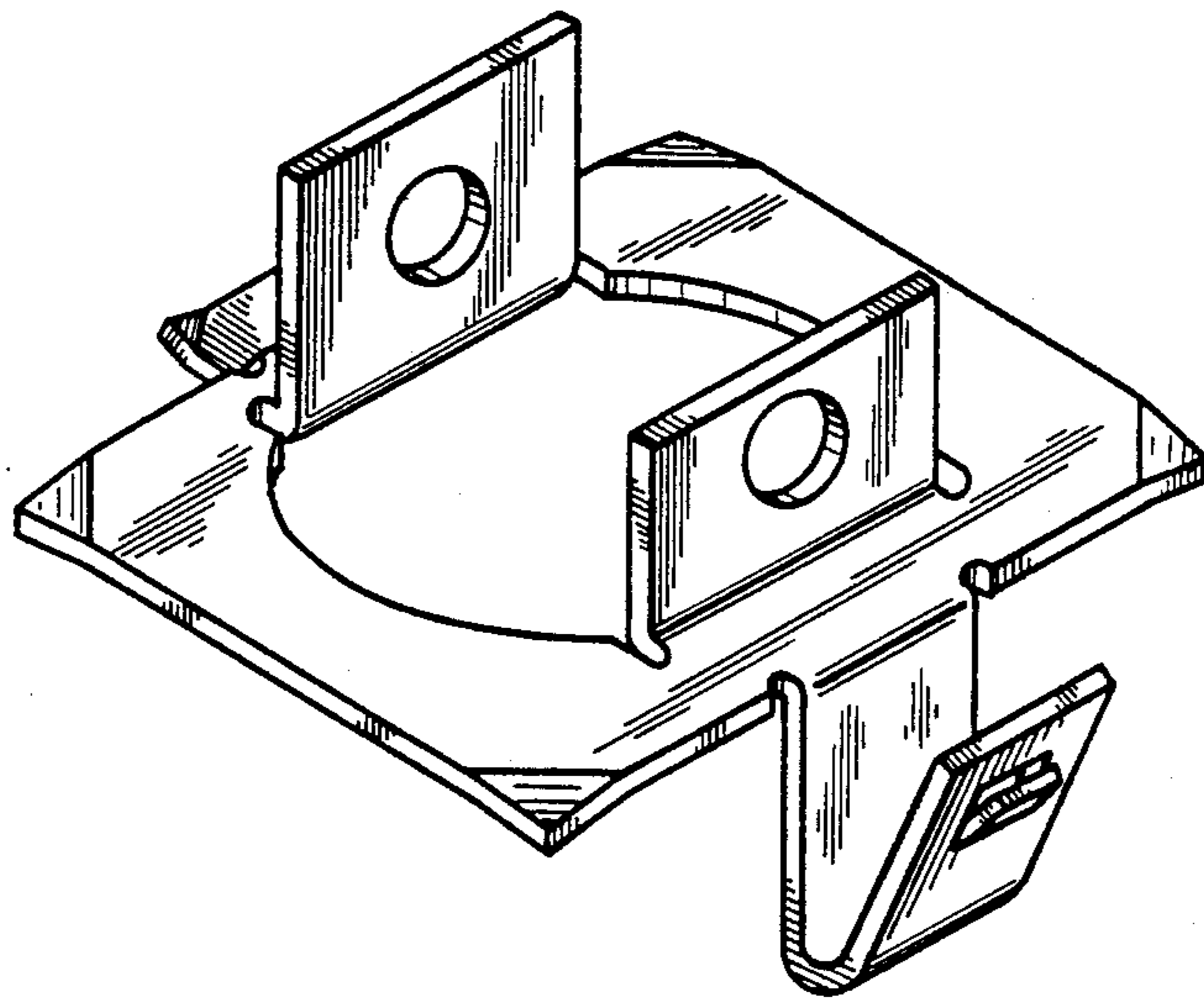


FIG. 1

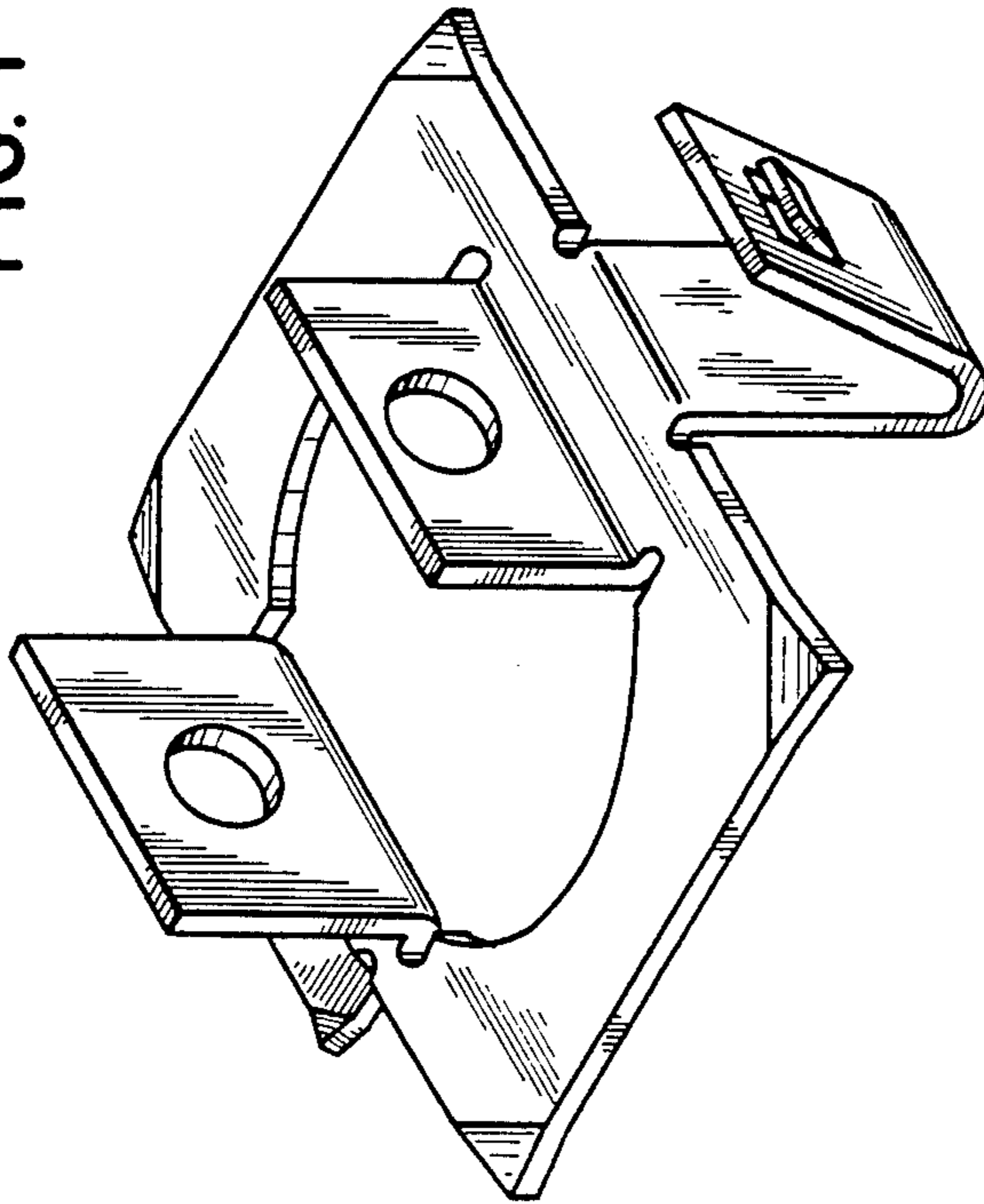


FIG. 2

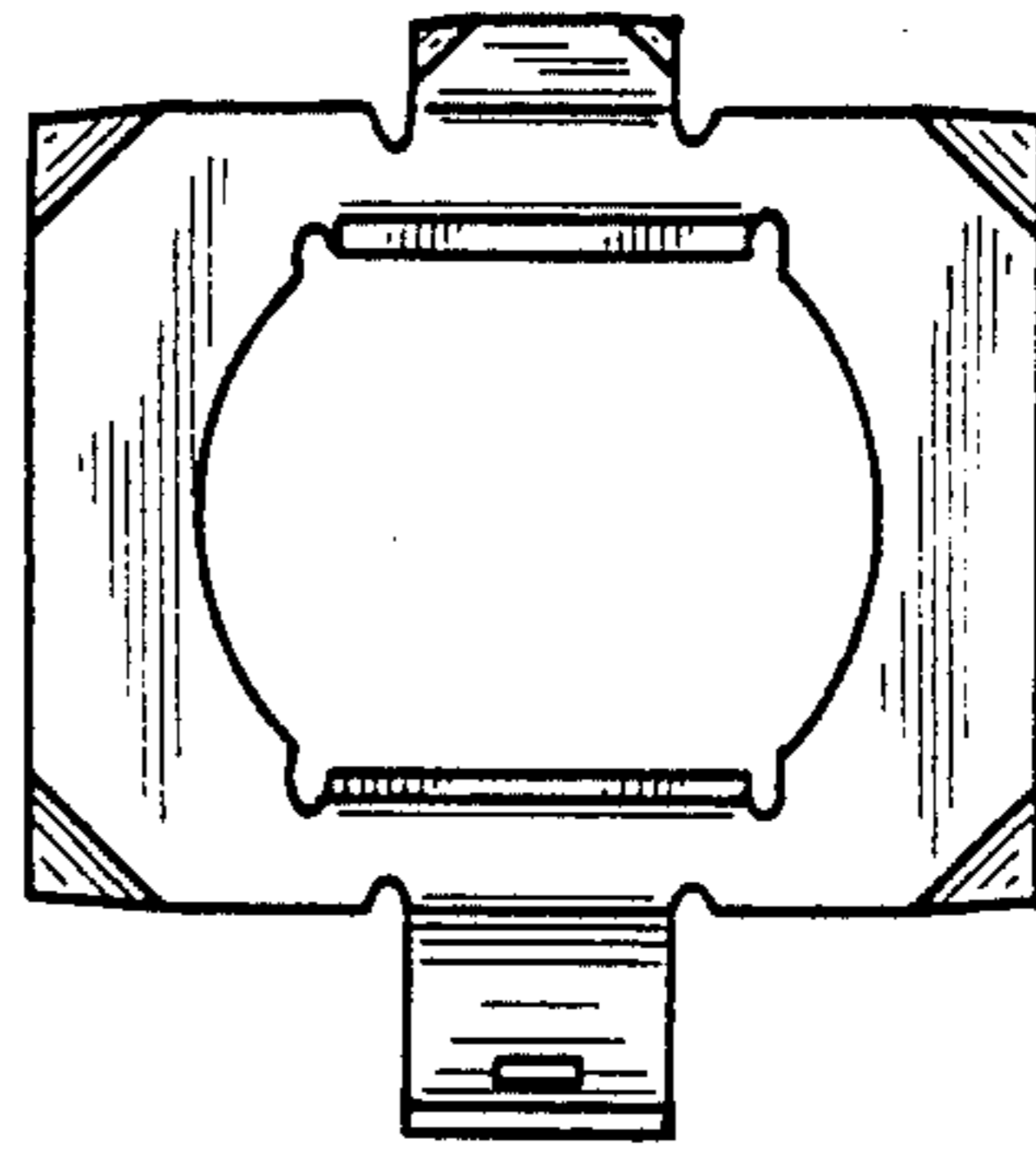


FIG. 5

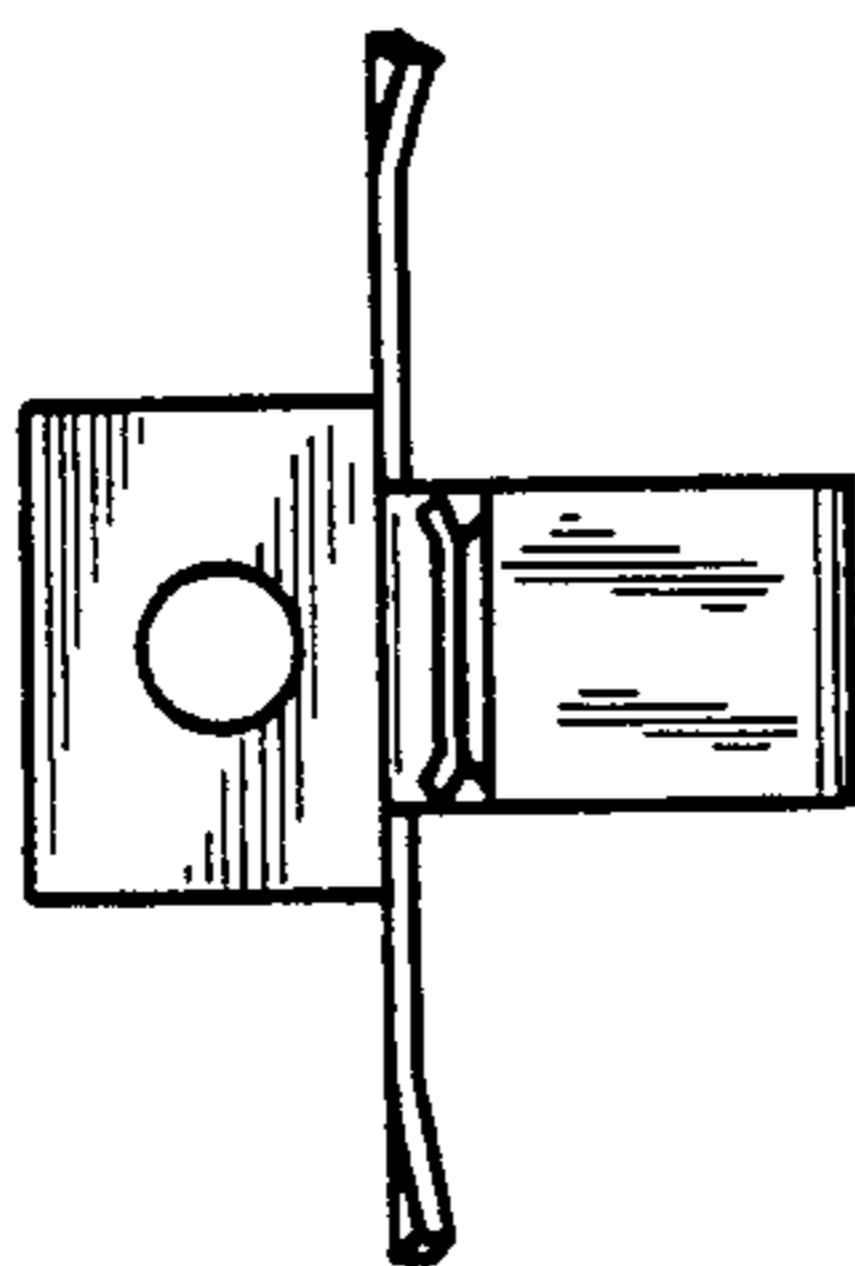


FIG. 4

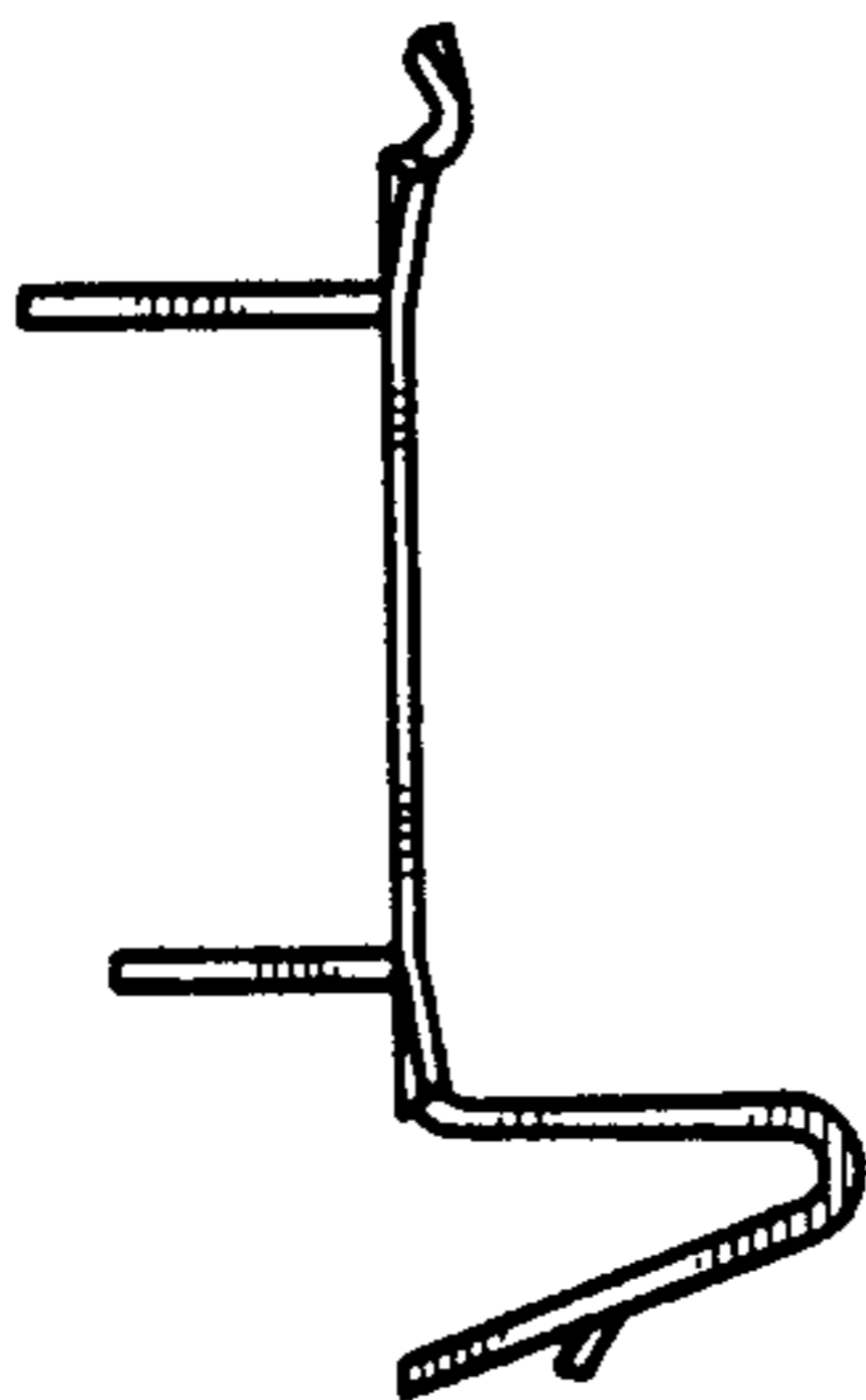


FIG. 3

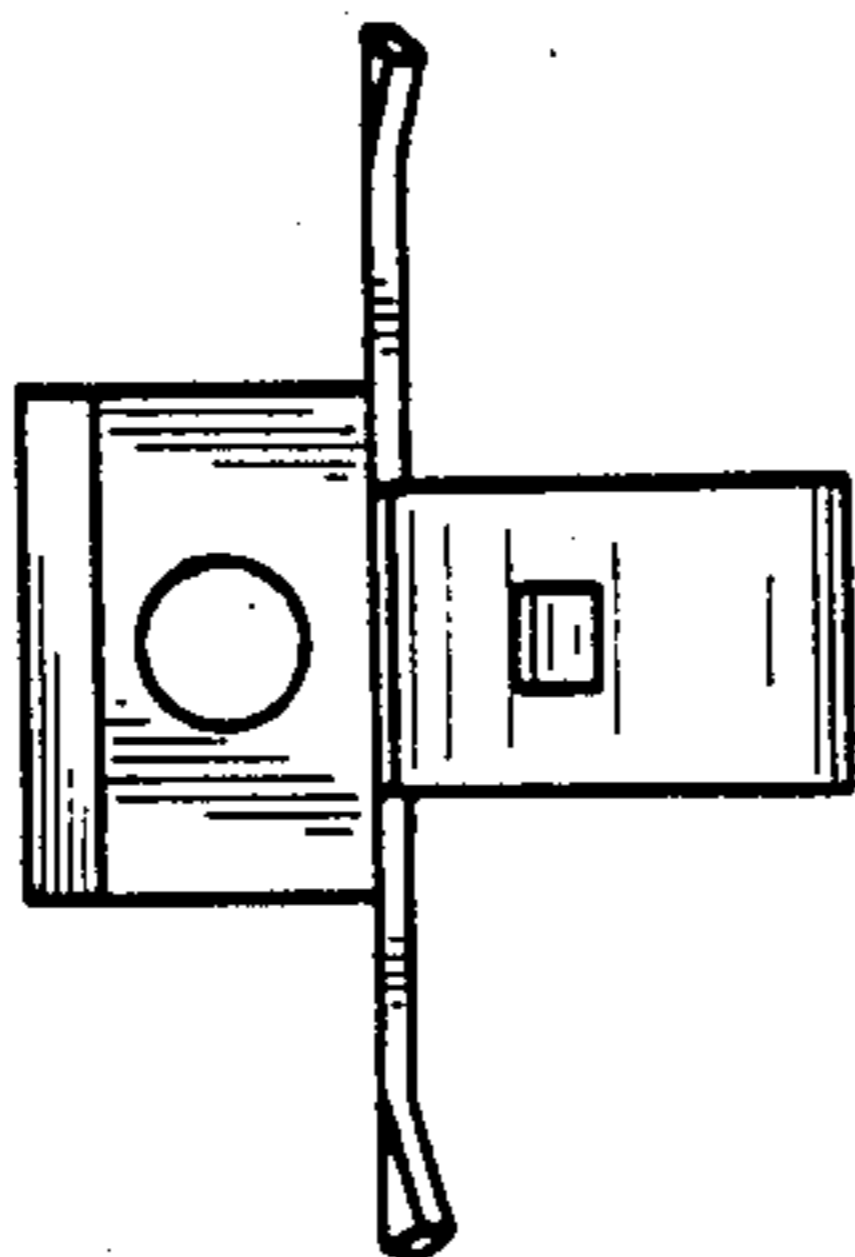


FIG. 6

