

[54] ADVERTISING DISPLAY BOARD AND BUSINESS CARD HOLDERS THEREFOR

D. 282,327 1/1986 Neff ..... D6/570  
3,430,774 3/1969 Karkut ..... 211/10

[76] Inventor: Edward N. Childress, Rte. 5, Albertville, Ala. 35950

Primary Examiner—B. J. Bullock  
Attorney, Agent, or Firm—Jennings, Carter, Thompson & Veal

[\*\*] Term: 14 Years

[57] CLAIM

[21] Appl. No.: 720,558

The ornamental design for an advertising display board and business card holders therefor, as shown and described.

[22] Filed: Apr. 5, 1985

[52] U.S. Cl. .... D6/570; D6/468; D6/476; D6/573

[58] Field of Search ..... D6/475, 476, 467, 468, D6/569, 573, 571; 40/124.2; 211/13, 87, 88, 90, 50, 10

DESCRIPTION

FIG. 1 is a perspective view of an advertising display board and business card holders therefor showing my new design;

FIG. 2 is a front elevational view thereof, the rear side being plain and unornamented;

FIG. 3 is a top plan view thereof;

FIG. 4 is a bottom plan view thereof;

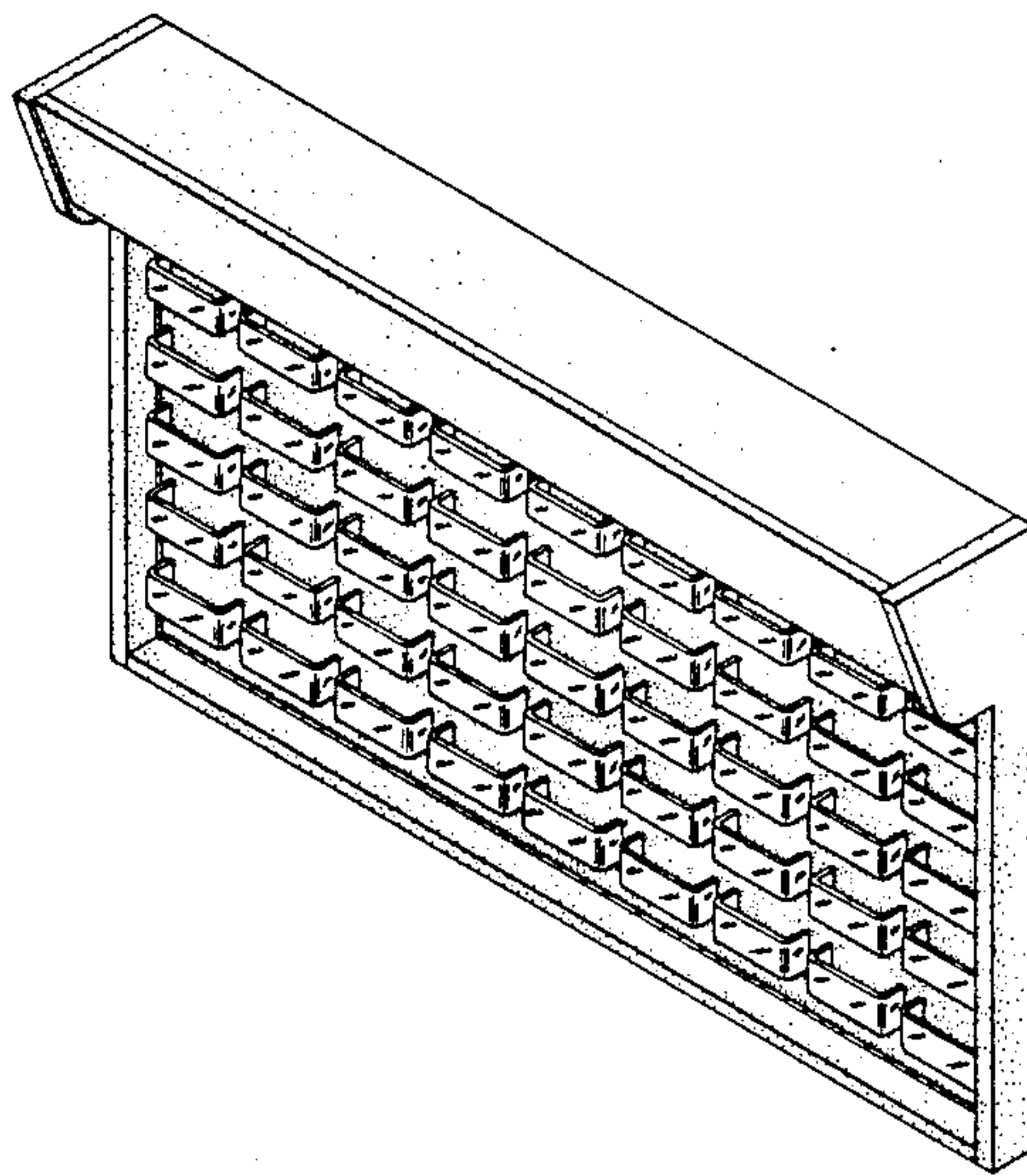
FIG. 5 is a right side elevational view thereof, the left side being a mirror image;

FIG. 6 is an enlarged vertical section view thereof.

[56] References Cited

U.S. PATENT DOCUMENTS

- D. 219,988 2/1971 Willis ..... D6/570
- D. 231,720 6/1974 Wolff ..... D6/473
- D. 242,831 12/1976 Frieden ..... D6/571
- D. 279,639 7/1985 Kellogg ..... D6/468



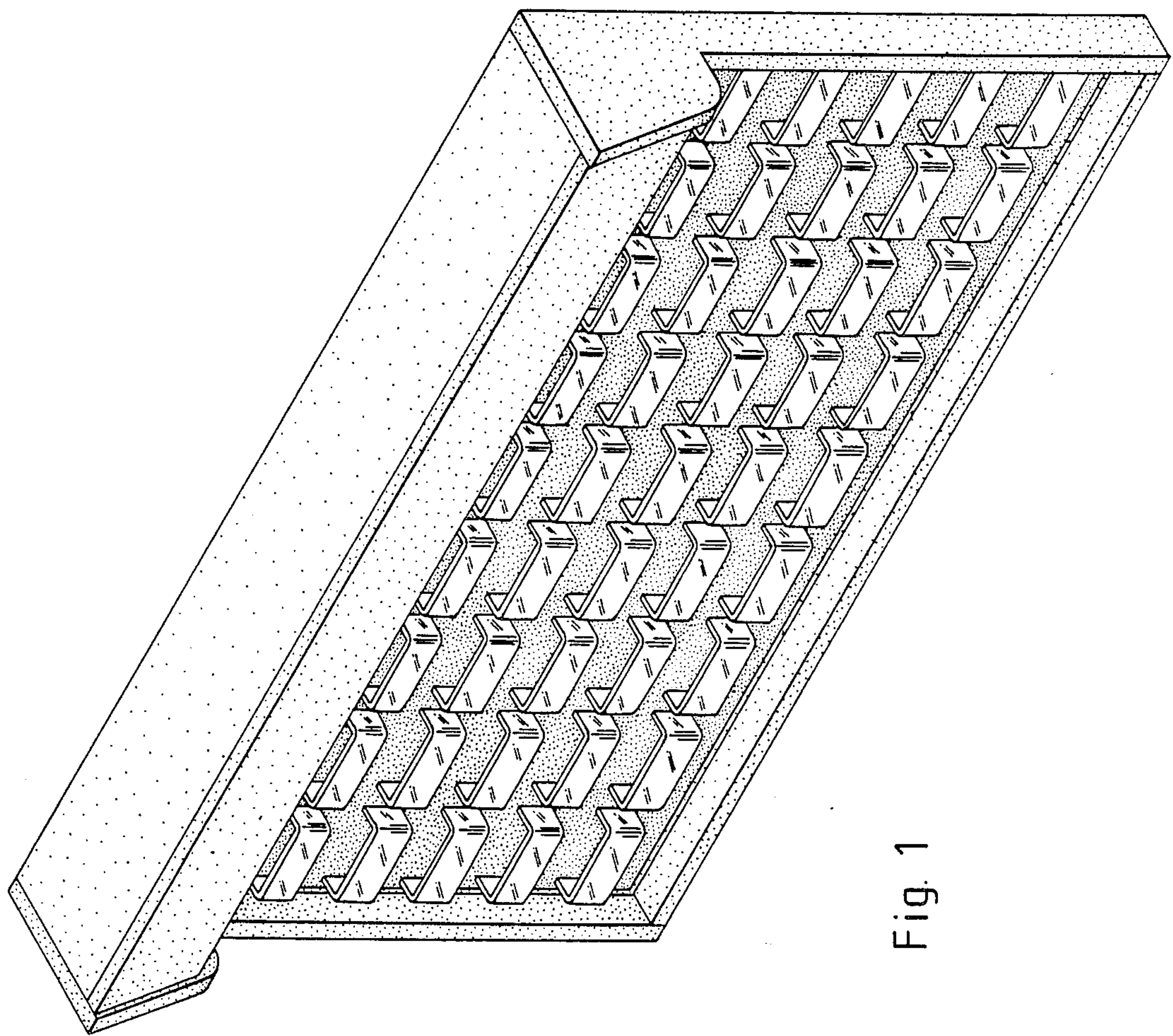


Fig. 1



Fig. 2

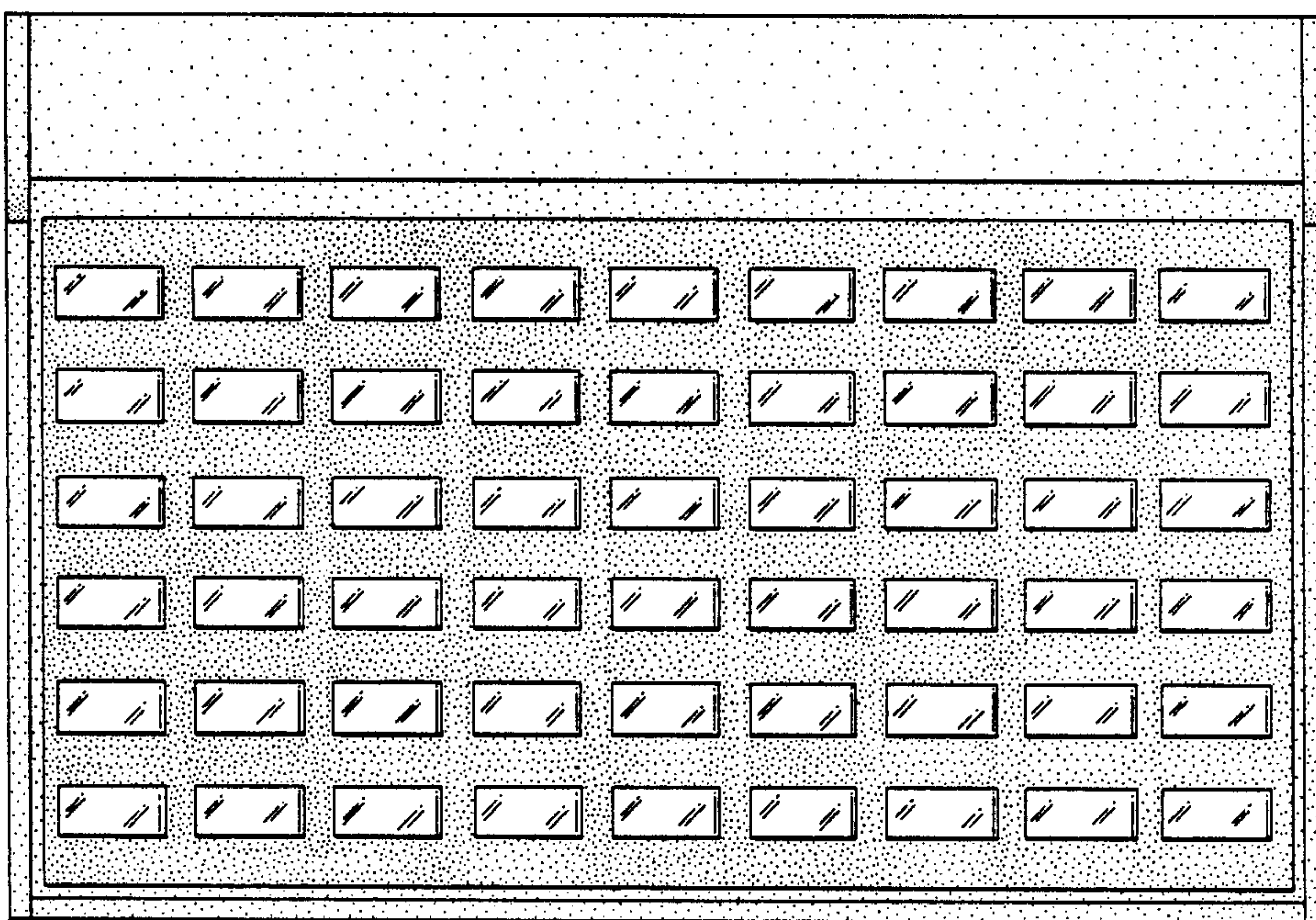


Fig. 5

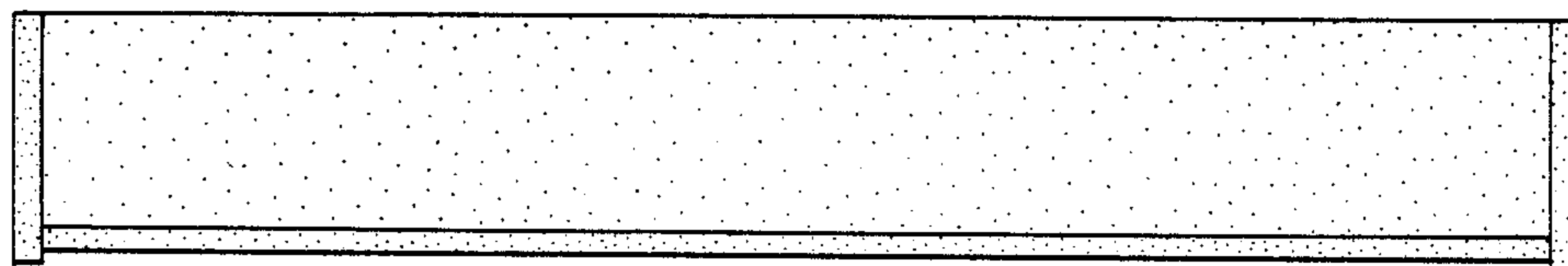


Fig. 3

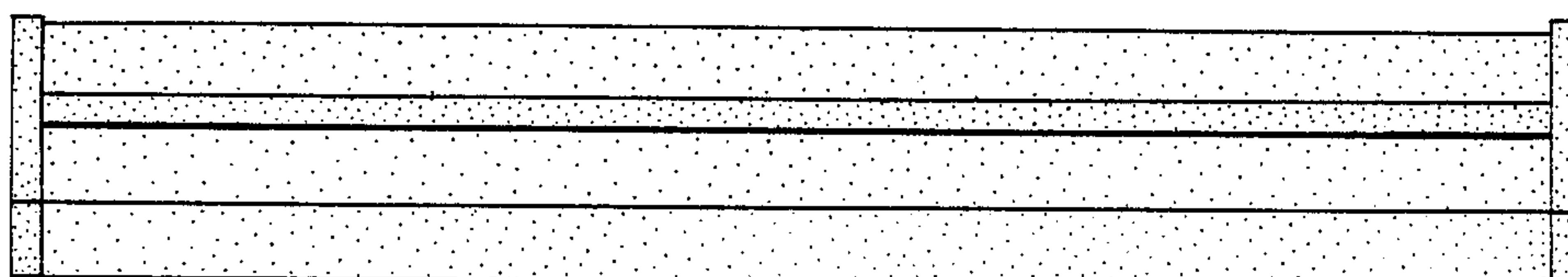
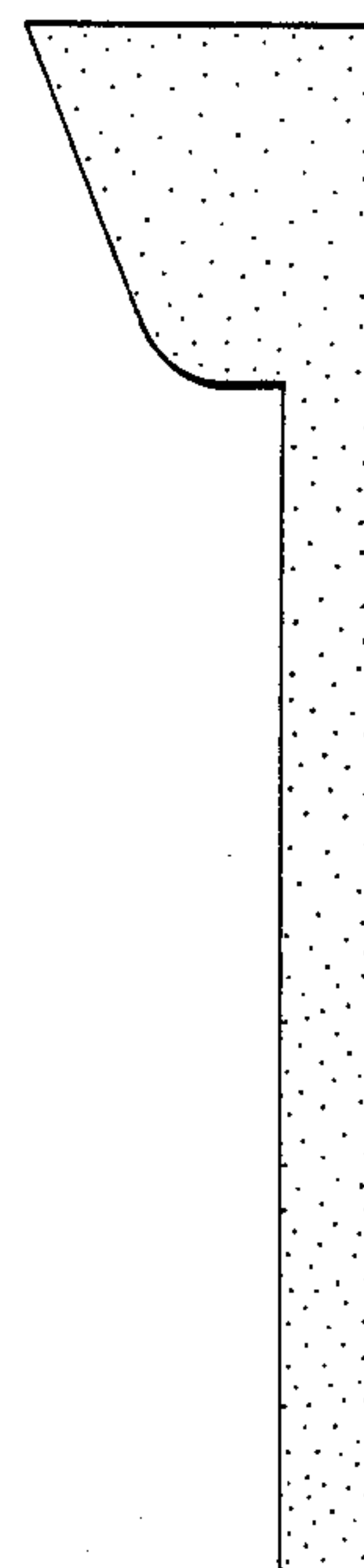


Fig. 4

Fig. 6

