

[54] **DISPOSABLE RAZOR HOLDER**

[76] **Inventor: Gerald N. Bleskachek, 783 N. Summit Rd., Bath, Pa. 18014**

[**] **Term: 14 Years**

[21] **Appl. No.: 841,363**

[22] **Filed: Mar. 3, 1986**

[52] **U.S. Cl. D6/526; D6/567; D8/373**

[58] **Field of Search D6/526, 553, 567, 569, D6/534, 541; 211/13, 87, 60.1, 70.6, 70.1, 88, 89; 248/309.1; 206/349, 352, 354, 309, 208; D8/373**

[56] **References Cited**

U.S. PATENT DOCUMENTS

D. 205,125	6/1966	Naylor	D6/541
1,241,732	10/1917	Henderson	211/88
2,148,043	2/1939	Zero	D6/534
3,685,660	8/1972	Saunders	211/70.1
4,334,621	6/1982	Weber	211/89
4,555,030	11/1985	Byrne et al.	211/87

Primary Examiner—B. J. Bullock
Attorney, Agent, or Firm—William B. Noll

[57] **CLAIM**

The ornamental design for a disposable razor holder, as shown and described.

DESCRIPTION

FIG. 1 is a front perspective view of a disposable razor holder, showing my new design; FIG. 2 is a bottom view thereof; and FIG. 3 is a rear perspective view thereof.

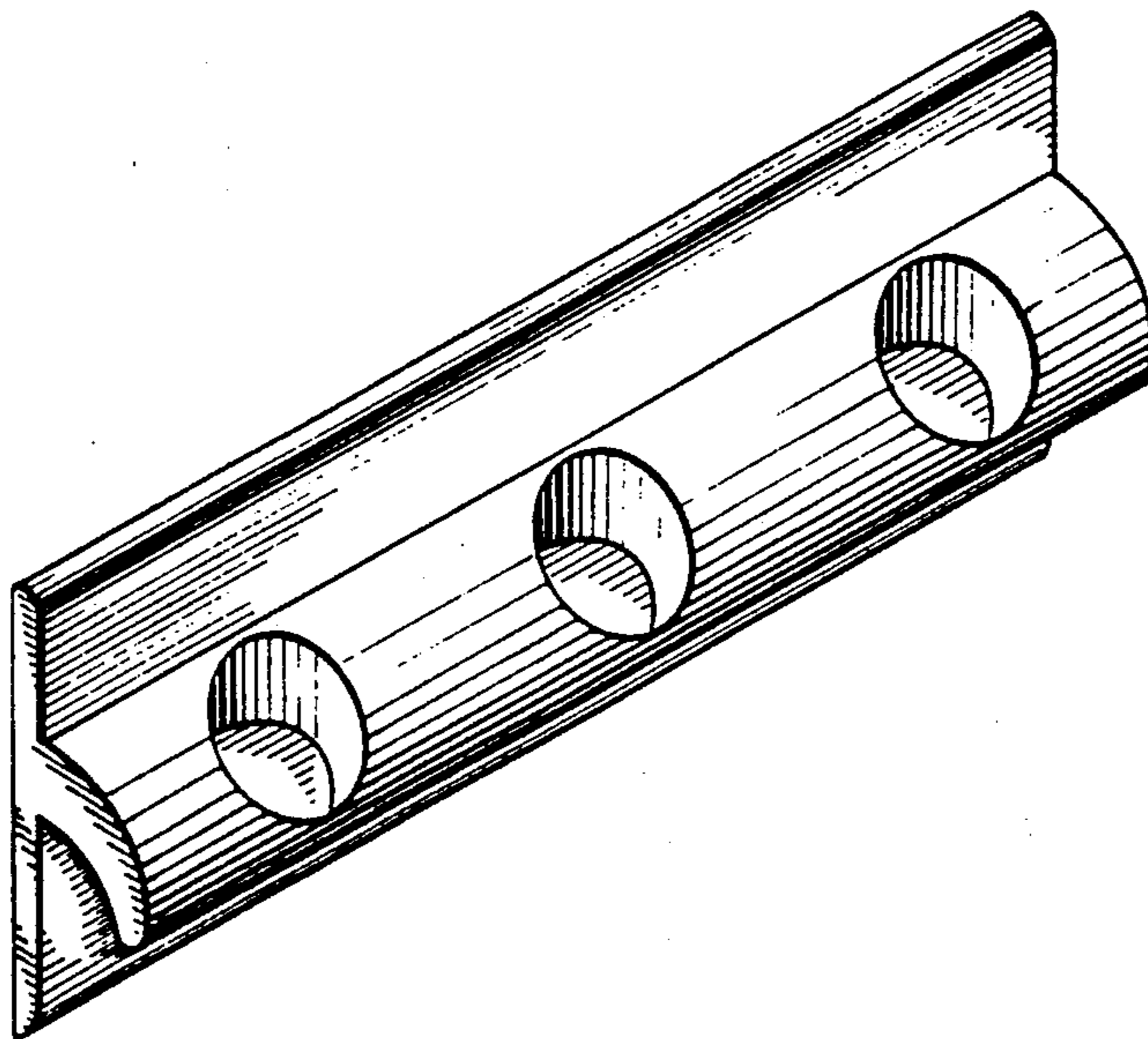


FIG. 1

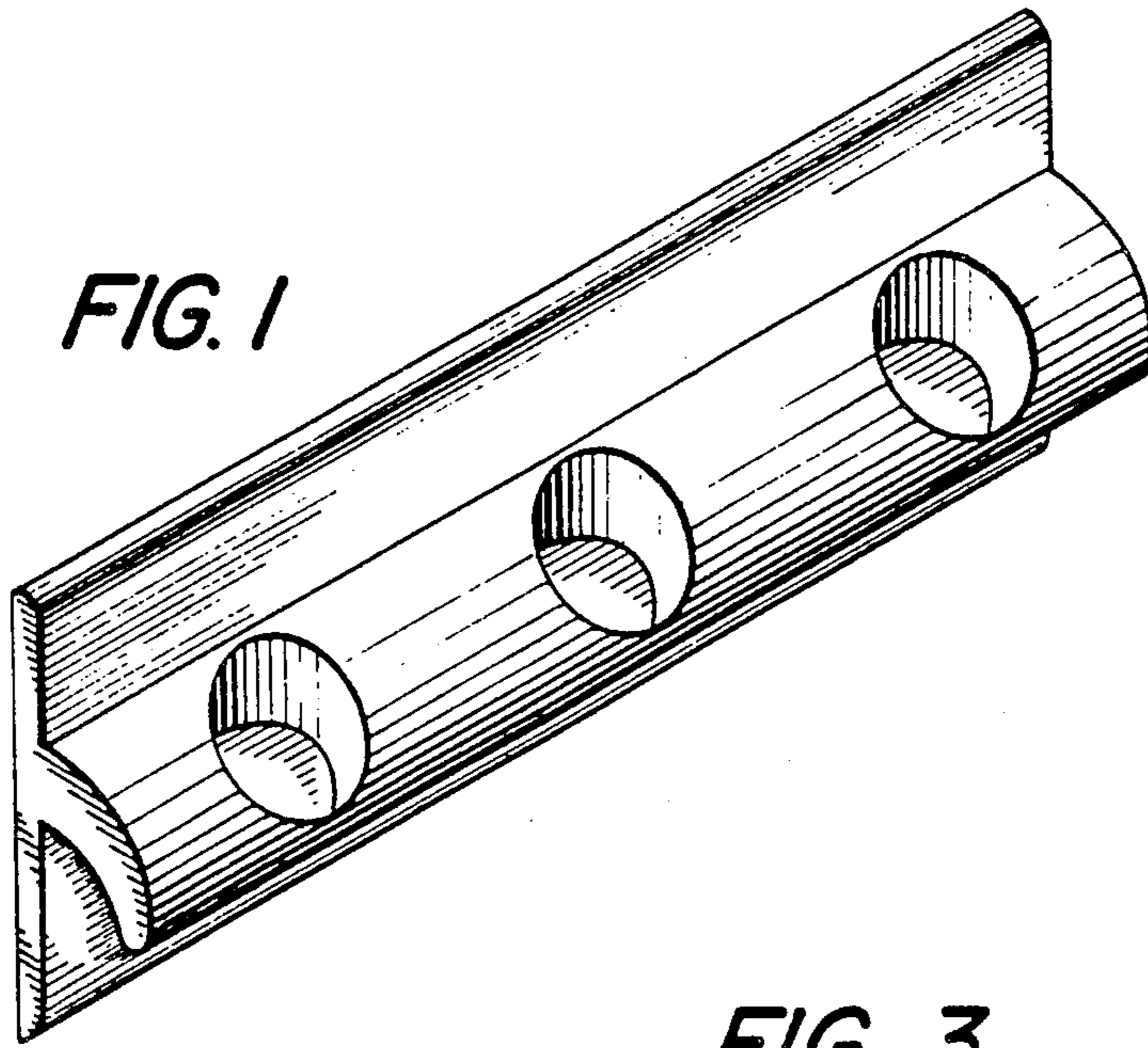


FIG. 3

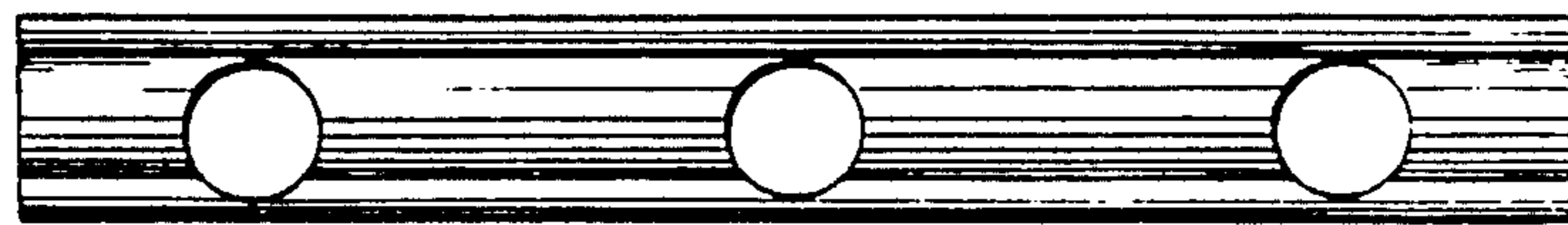


FIG. 2

