

[54] **SAFETY RAZOR HOLDER**  
[75] **Inventor: John F. Pokorny, Algonquin, Ill.**  
[73] **Assignee: Douglas Mold, Inc., Marengo, Ill.**  
[\*\*] **Term: 14 Years**  
[21] **Appl. No.: 838,686**  
[22] **Filed: Mar. 12, 1986**  
[52] **U.S. Cl. .... D6/526; D6/569;  
D8/373**  
[58] **Field of Search ..... D6/526, 553, 567, 569,  
D6/534, 541; D8/373; 211/13, 60.1, 70.1, 70.6,  
87, 88, 89; 248/309.1, 206.3; 206/349, 352, 354,  
309, 208**

[56] **References Cited**  
**U.S. PATENT DOCUMENTS**  
D. 159,807 8/1950 Hanson ..... D6/526  
D. 182,788 5/1958 Bourne ..... D6/526  
D. 238,529 1/1976 Muller ..... D6/526

D. 259,226 5/1981 Lester ..... D6/526  
D. 280,373 9/1985 Ioakim ..... D6/526  
2,616,647 11/1952 Murchison ..... D6/526  
2,797,886 7/1957 Pinckney ..... 248/206.3

*Primary Examiner*—B. J. Bullock  
*Attorney, Agent, or Firm*—Lockwood, Alex, FitzGibbon  
& Cummings

[57] **CLAIM**  
The ornamental design for a safety razor holder, as shown and described.

**DESCRIPTION**  
FIG. 1 is a perspective view of a disposable safety razor holder embodying my new design.  
FIG. 2 is a front elevation thereof.  
FIG. 3 is a rear elevation thereof.  
FIG. 4 is a side elevation thereof.  
FIG. 5 is a top plan view thereof.  
FIG. 6 is a bottom plan view thereof.  
The safety razor shown in broken line in FIG. 1 does not form a part of the design.

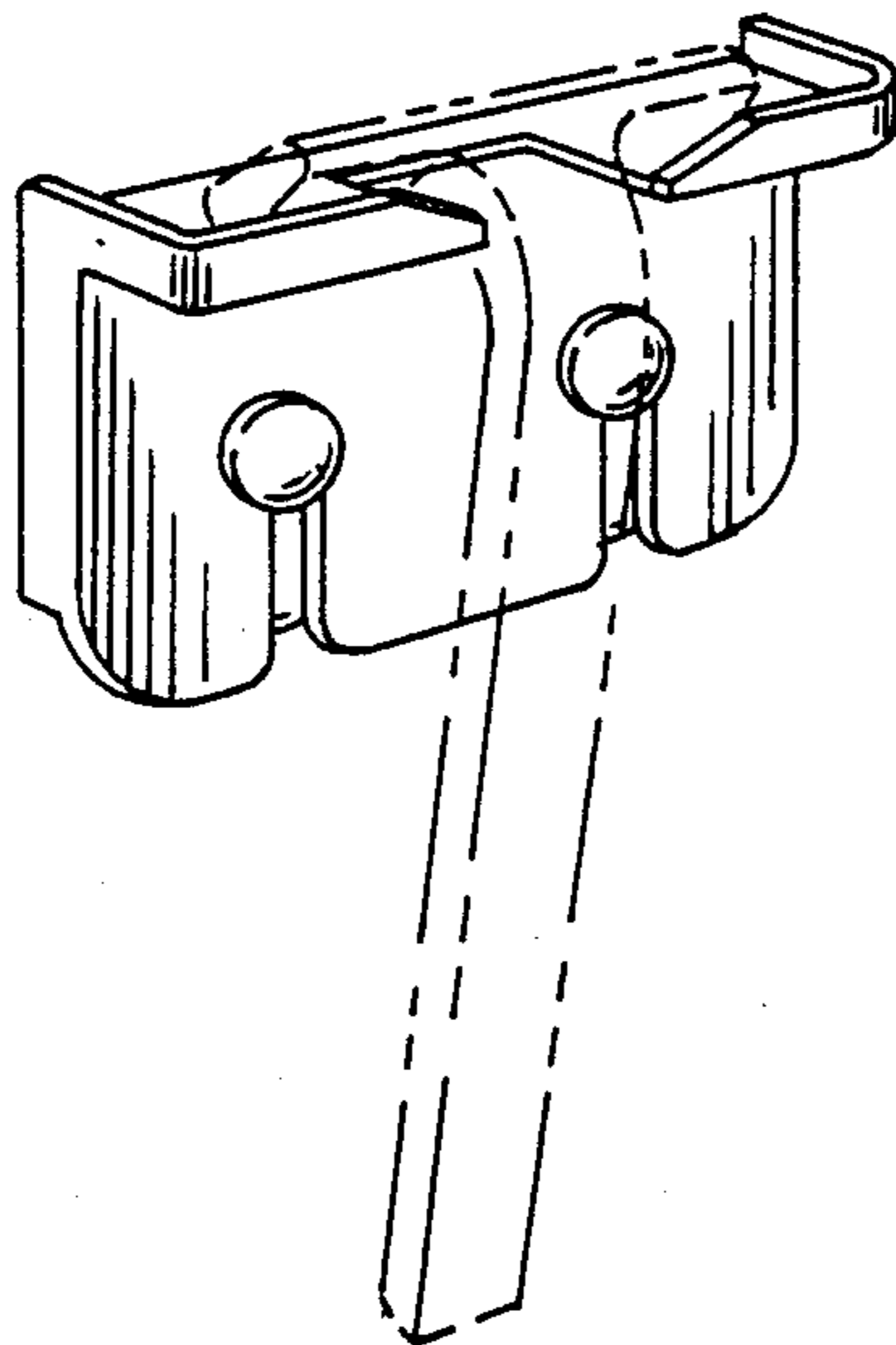


FIG-1-

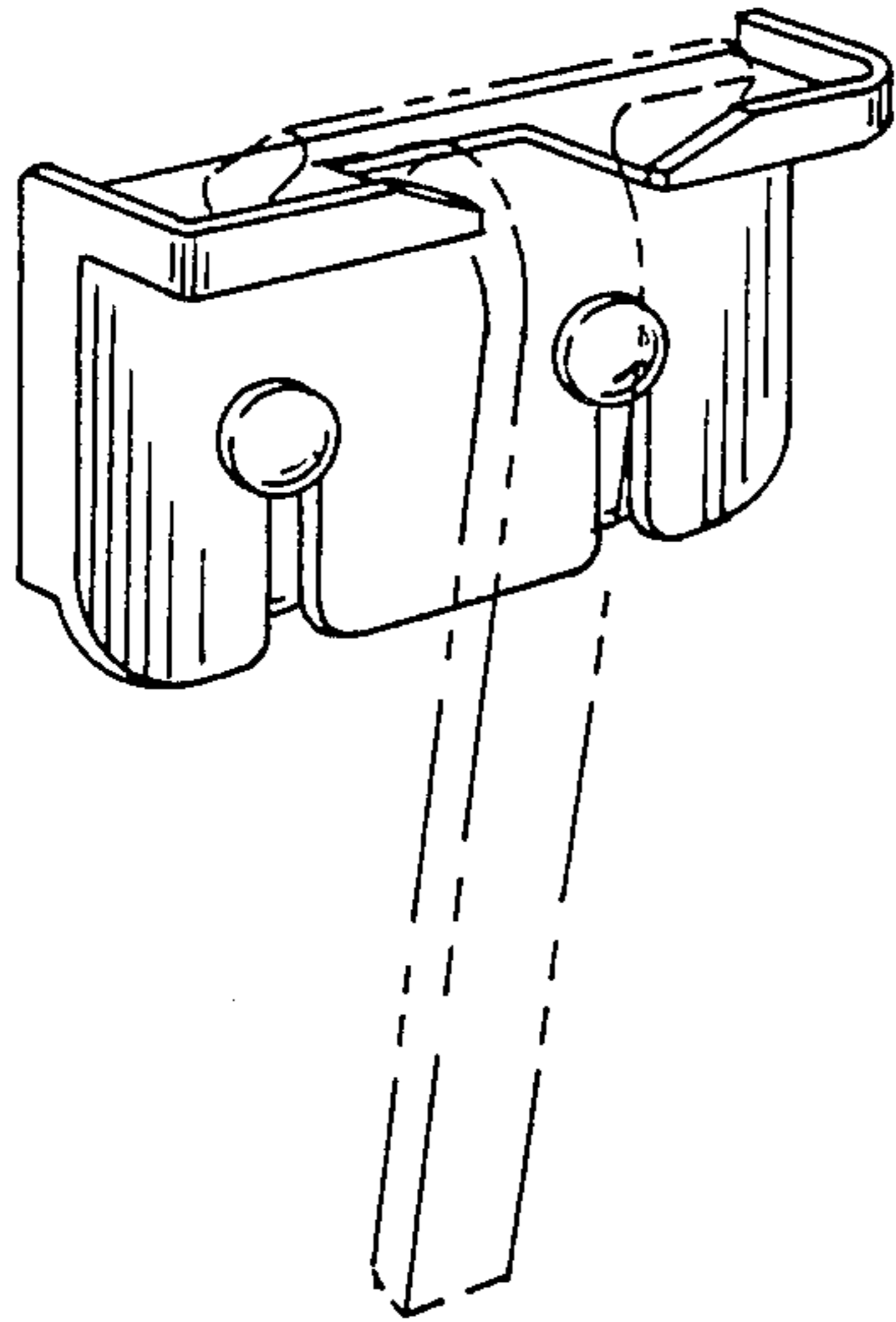


FIG-2-

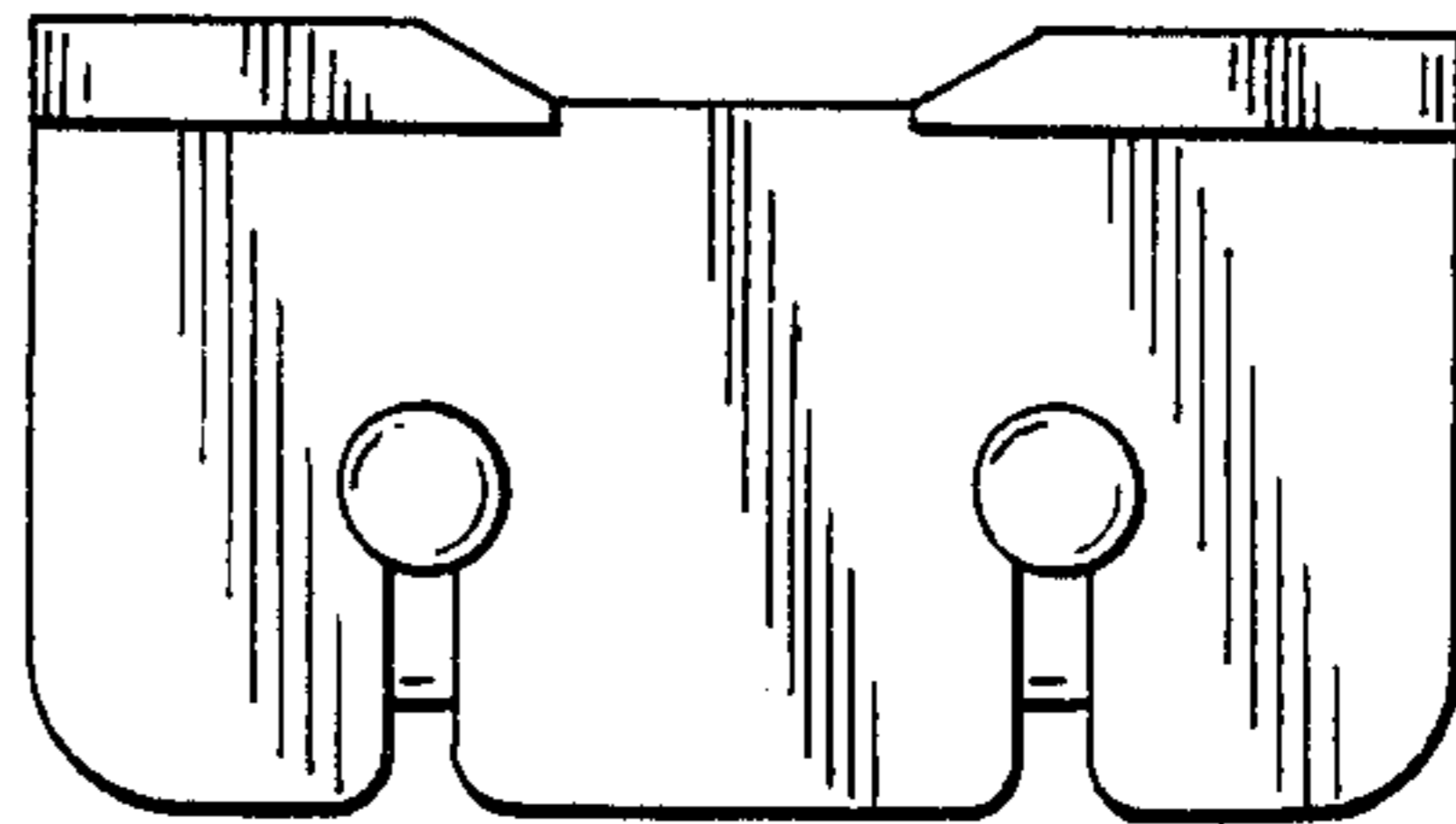


FIG-3-

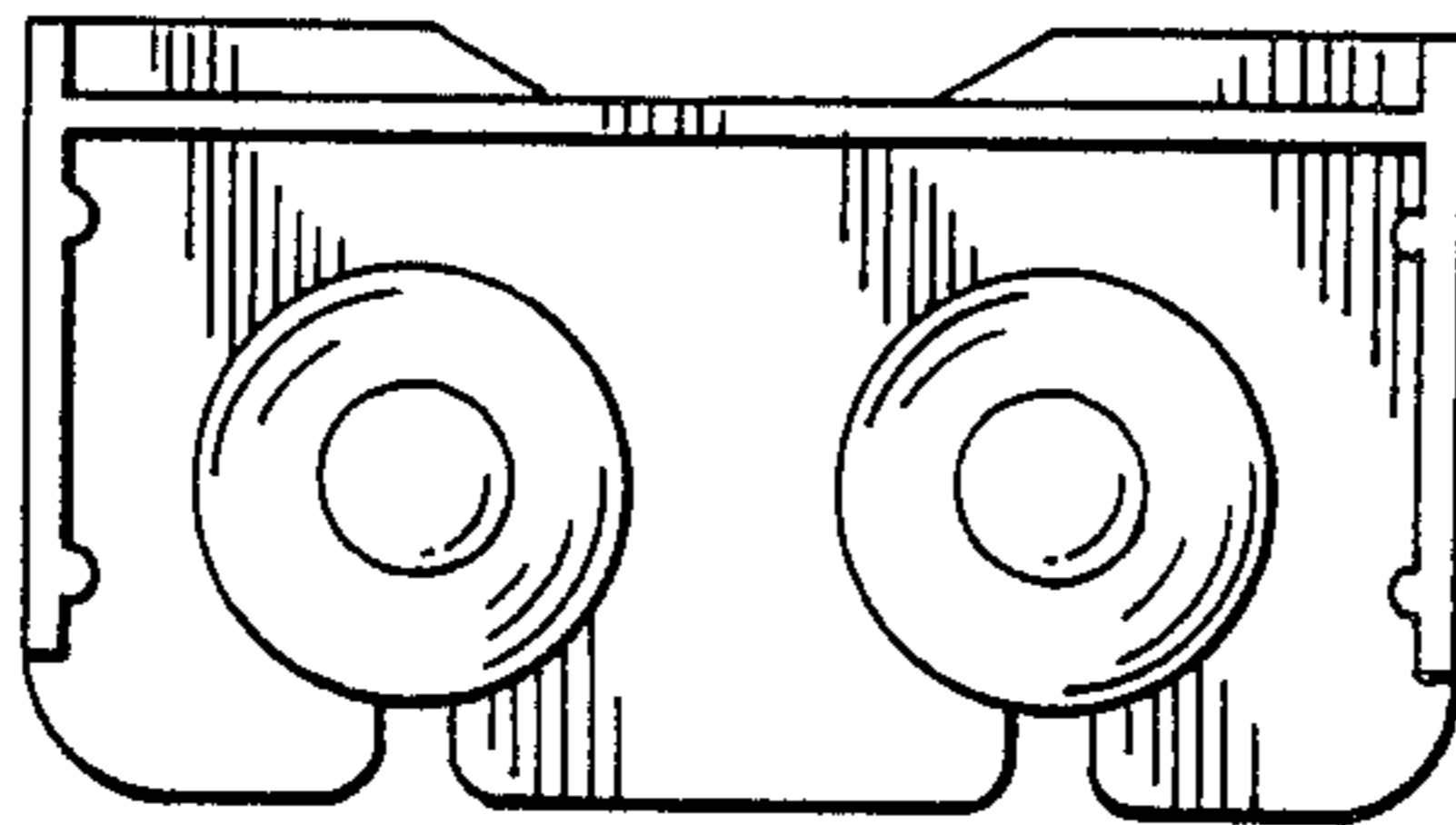


FIG-5-

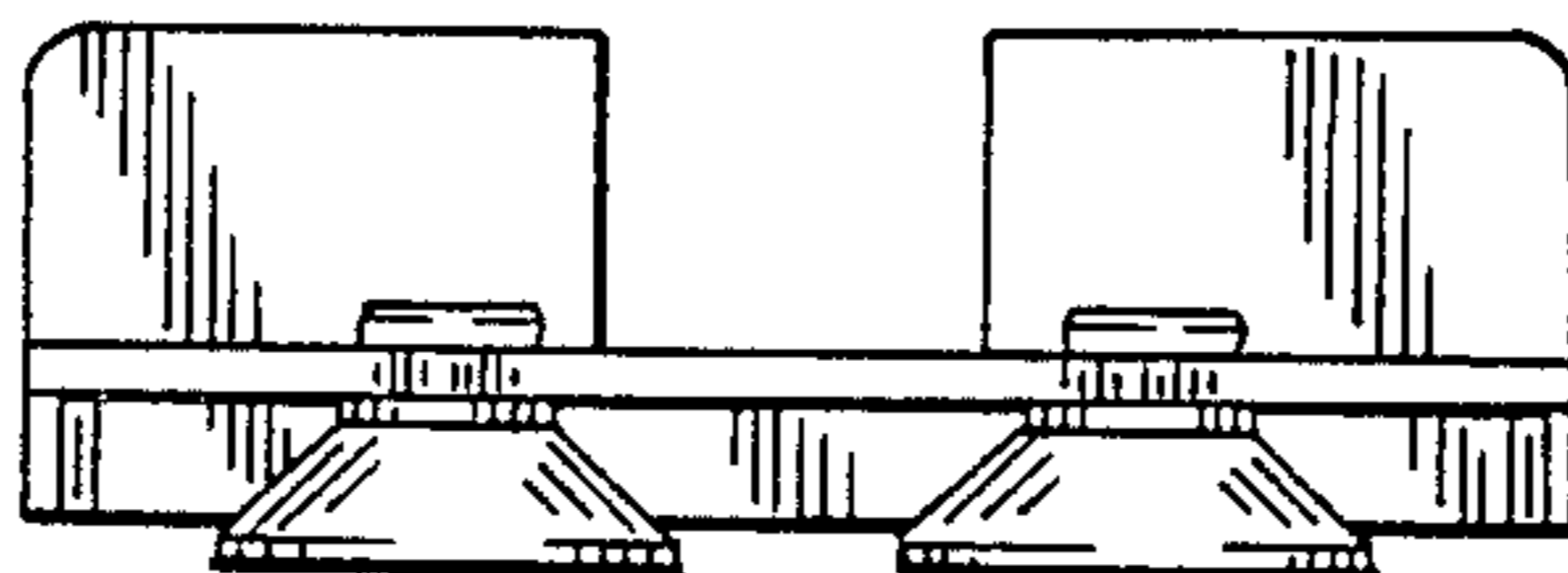


FIG-4-

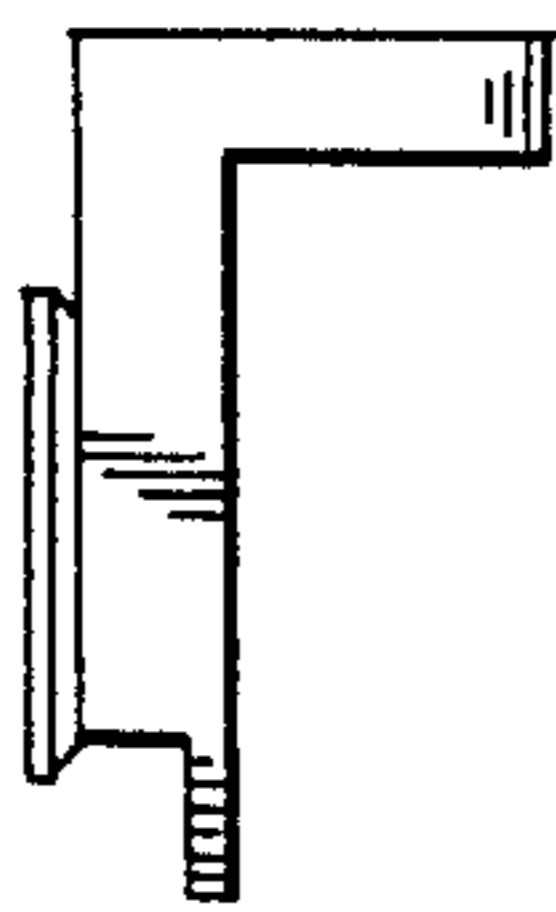


FIG-6-

