

[54] SHOWER CADDY

[75] Inventor: Abbe J. Sussman, Chicago, Ill.

[73] Assignee: Ludlow Industries, Inc., Elgin, Ill.

[**] Term: 14 Years

[21] Appl. No.: 709,905

[22] Filed: Mar. 8, 1985

[52] U.S. Cl. D6/525

[58] Field of Search D6/525, 566, 537, 570;
211/88, 106, 113, 119

[56] References Cited

U.S. PATENT DOCUMENTS

- D. 251,522 4/1979 Chapman D6/525
- D. 285,509 9/1986 Sussman D6/525
- 659,803 10/1900 Weller D6/537

- 3,789,996 2/1974 Stroh 211/119
- 3,923,162 12/1975 Hussey 211/119
- 4,387,811 6/1983 Ragir et al. 211/119

Primary Examiner—B. J. Bullock
Attorney, Agent, or Firm—Knechtel & Demeur

[57] CLAIM

The ornamental design for a shower caddy, as shown and described.

DESCRIPTION

FIG. 1 is a perspective view of a shower caddy showing my new design;
 FIG. 2 is a reduced right side elevational view thereof;
 FIG. 3 is a reduced front elevational view thereof;
 FIG. 4 is a reduced left side elevational view thereof;
 FIG. 5 is a reduced rear elevational view thereof;
 FIG. 6 is a reduced top plan view thereof; and
 FIG. 7 is a reduced bottom plan view thereof.

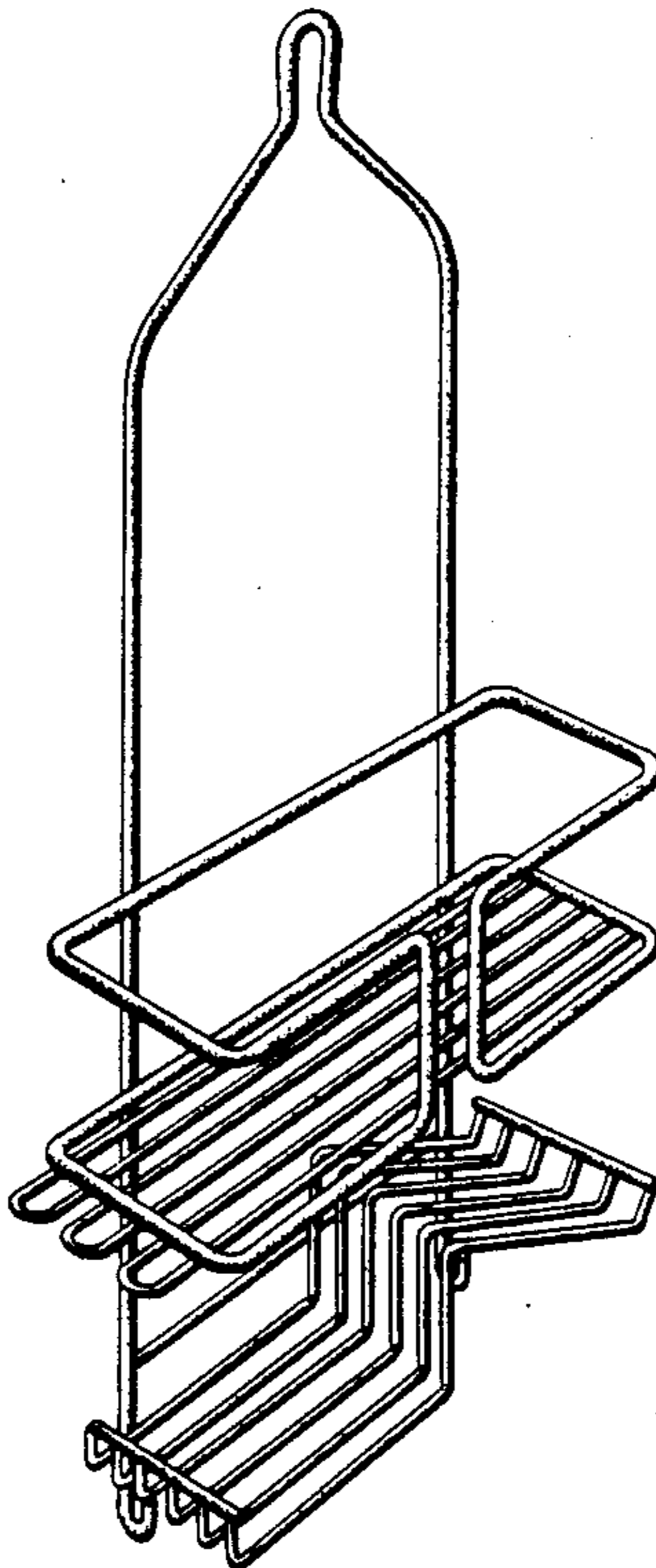


FIG. 1

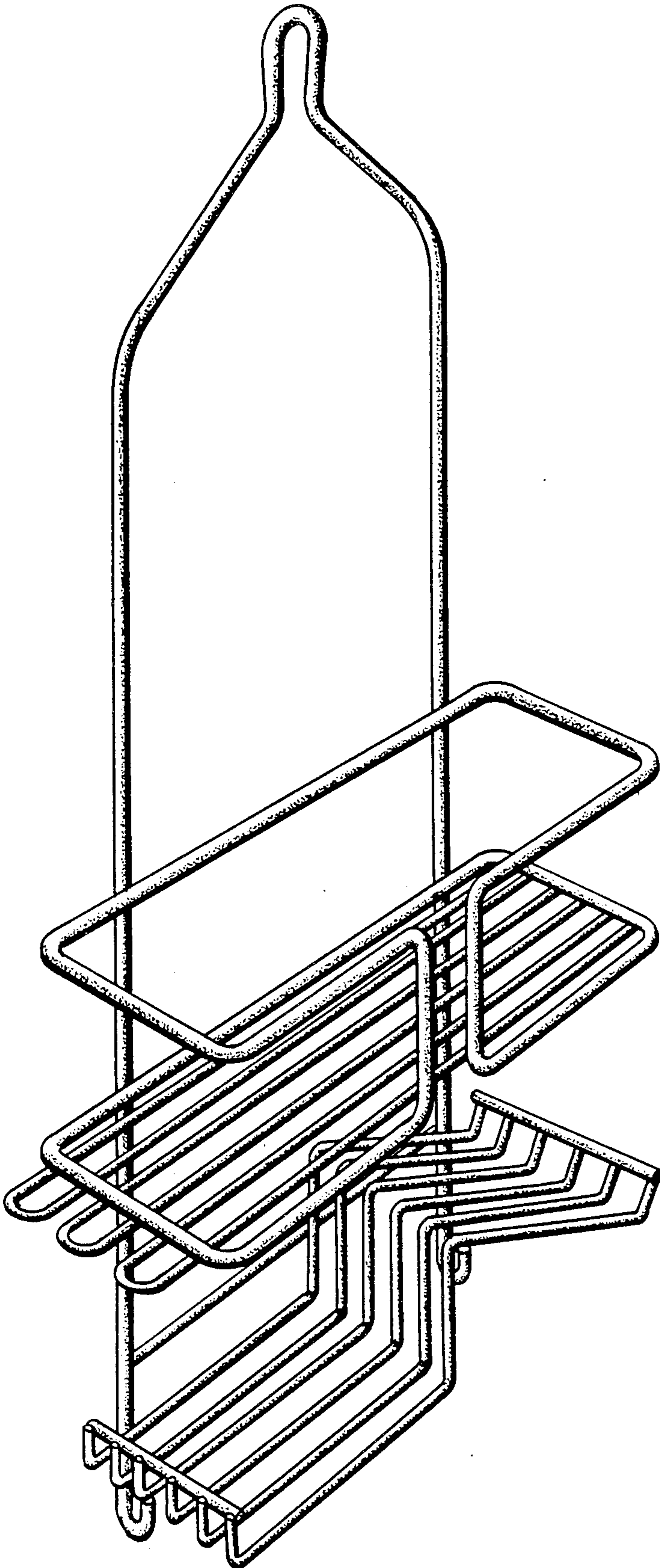


FIG. 2

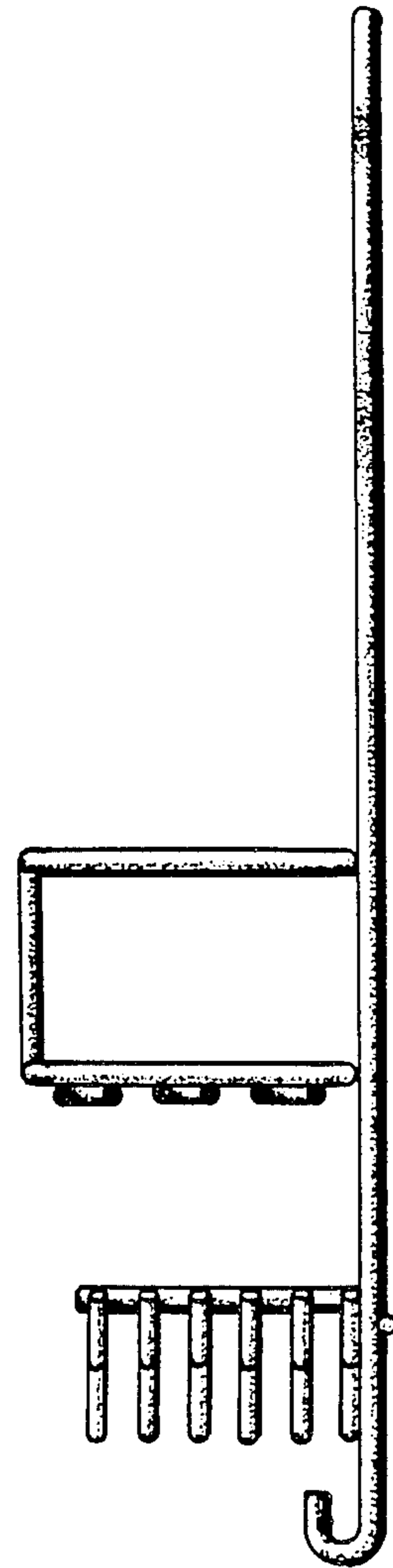


FIG. 3

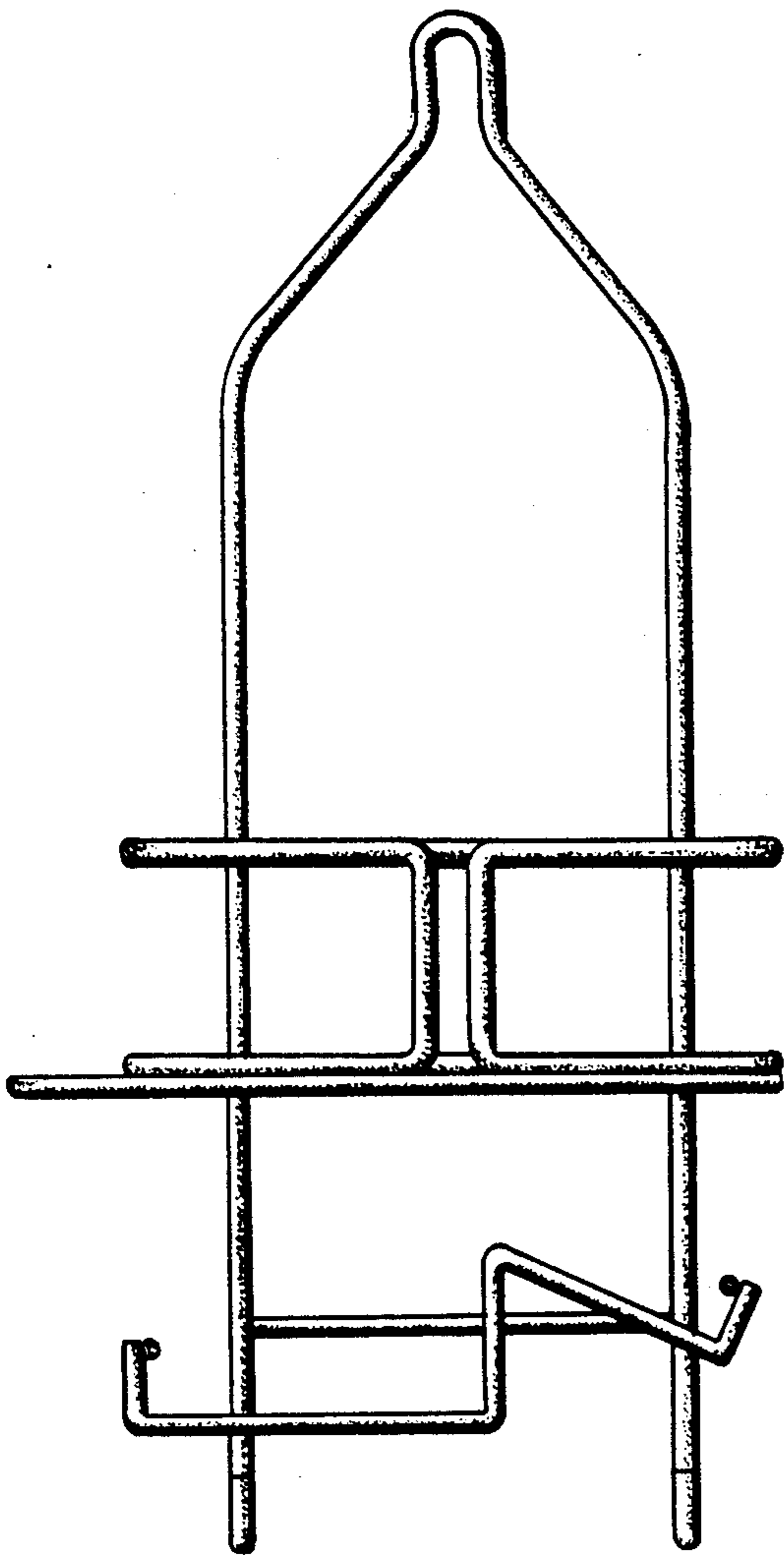


FIG. 4

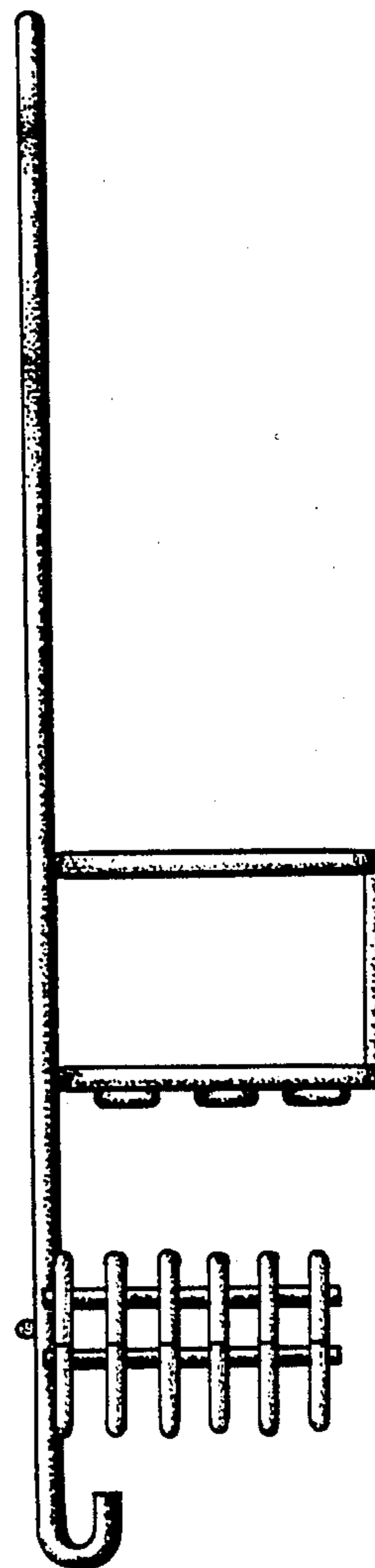


FIG. 6

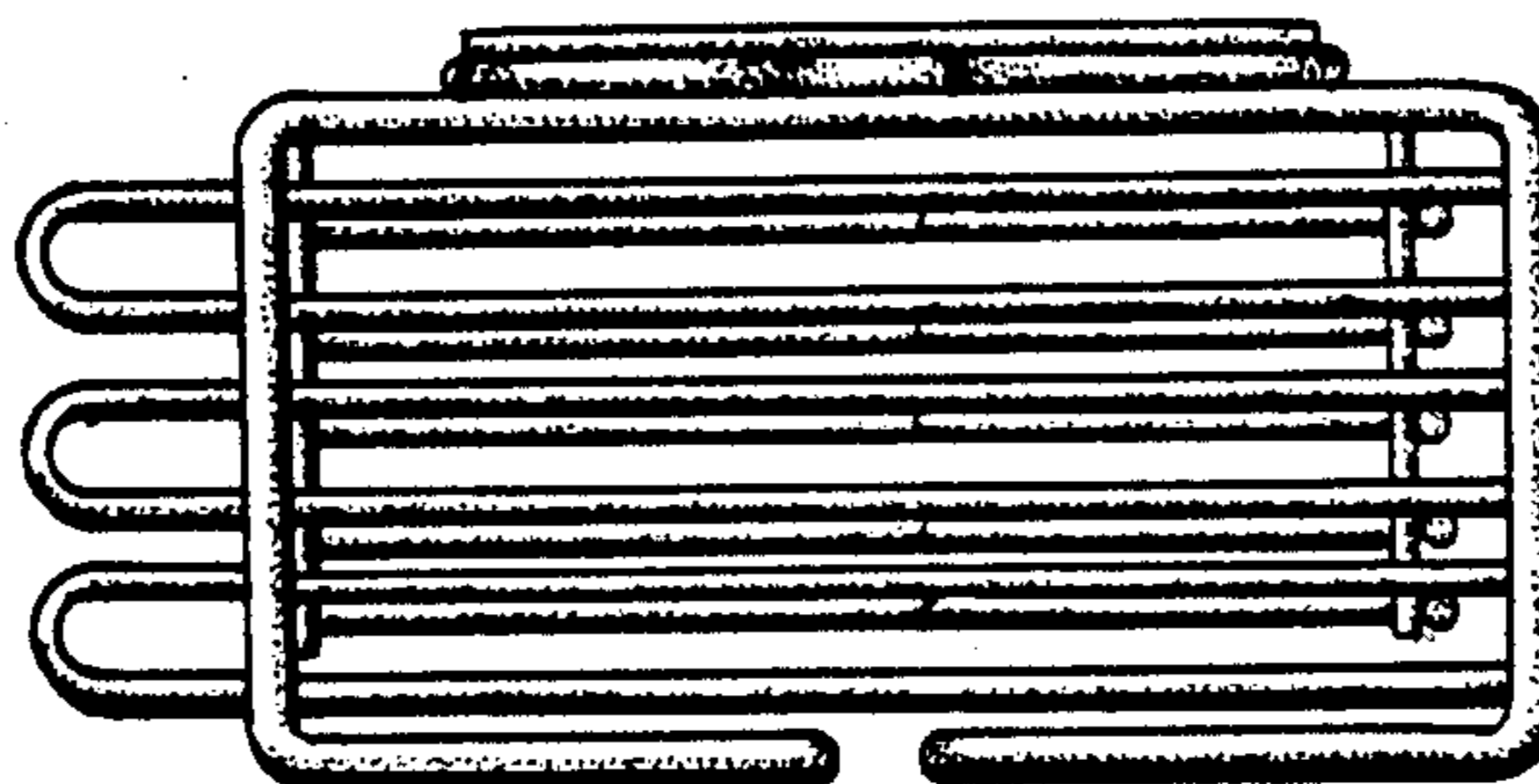


FIG. 5

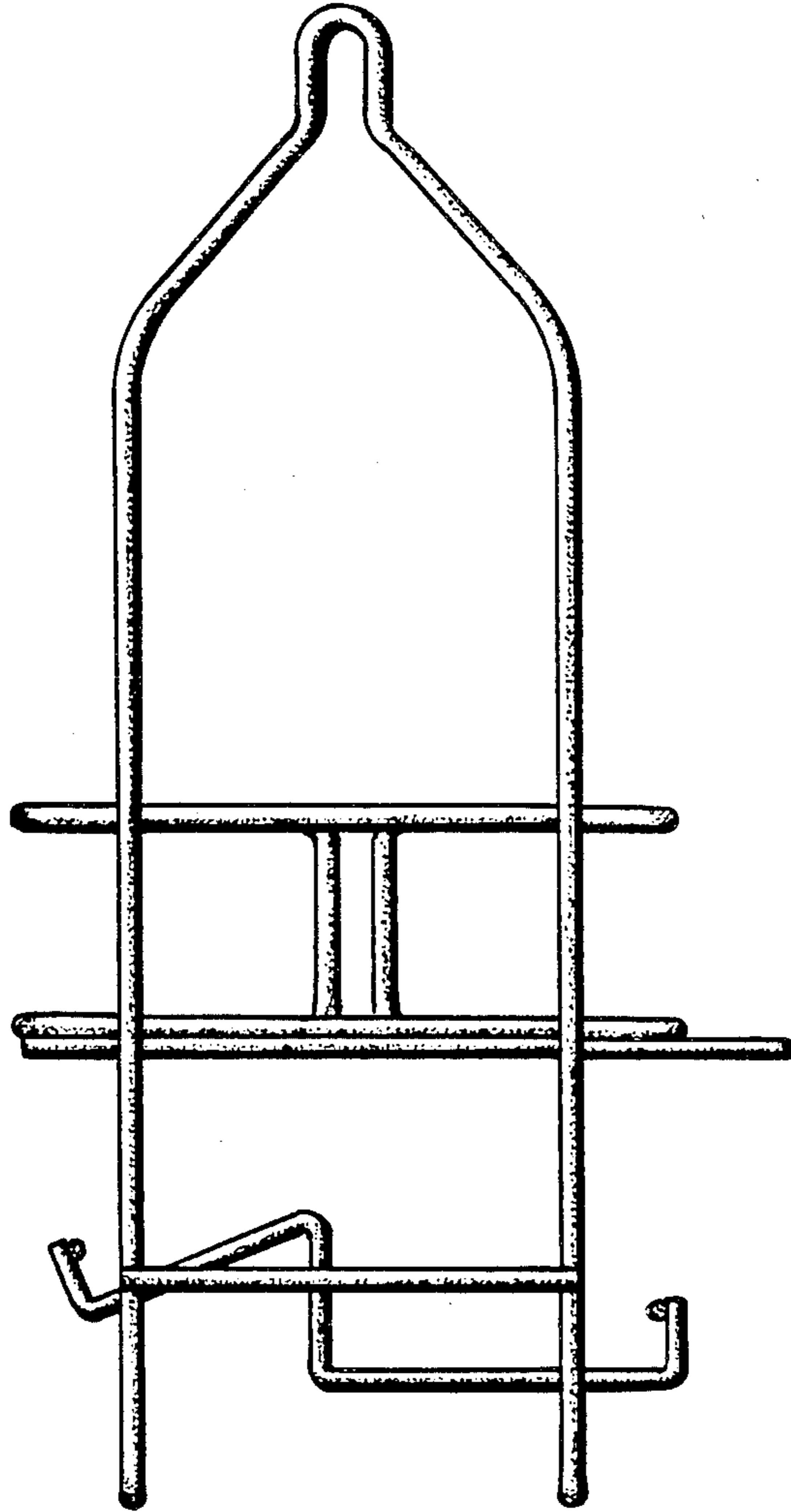


FIG. 7

