

[54] SCISSORS DISPLAY TRAY

[76] Inventor: Clair H. Gingher, Jr., P.O. Box 8865,
Greensboro, N.C. 27419

[**] Term: 14 Years

[21] Appl. No.: 3,391

[22] Filed: Jan. 5, 1987

Related U.S. Application Data

[62] Division of Ser. No. 644,350, Aug. 27, 1984.

[52] U.S. Cl. D6/466

[58] Field of Search D6/466, 509, 511, 574;
206/349, 371, 477, 565

[56] References Cited

U.S. PATENT DOCUMENTS

D. 59,503 10/1921 Mendelsohn D6/509
D. 233,948 12/1974 Seltzer D6/574 X

D. 240,431 7/1976 Stapp D6/466 X
D. 255,195 6/1980 Smith D6/511
D. 274,205 6/1984 Kates D6/509
4,043,754 8/1977 Sklar 206/565 X

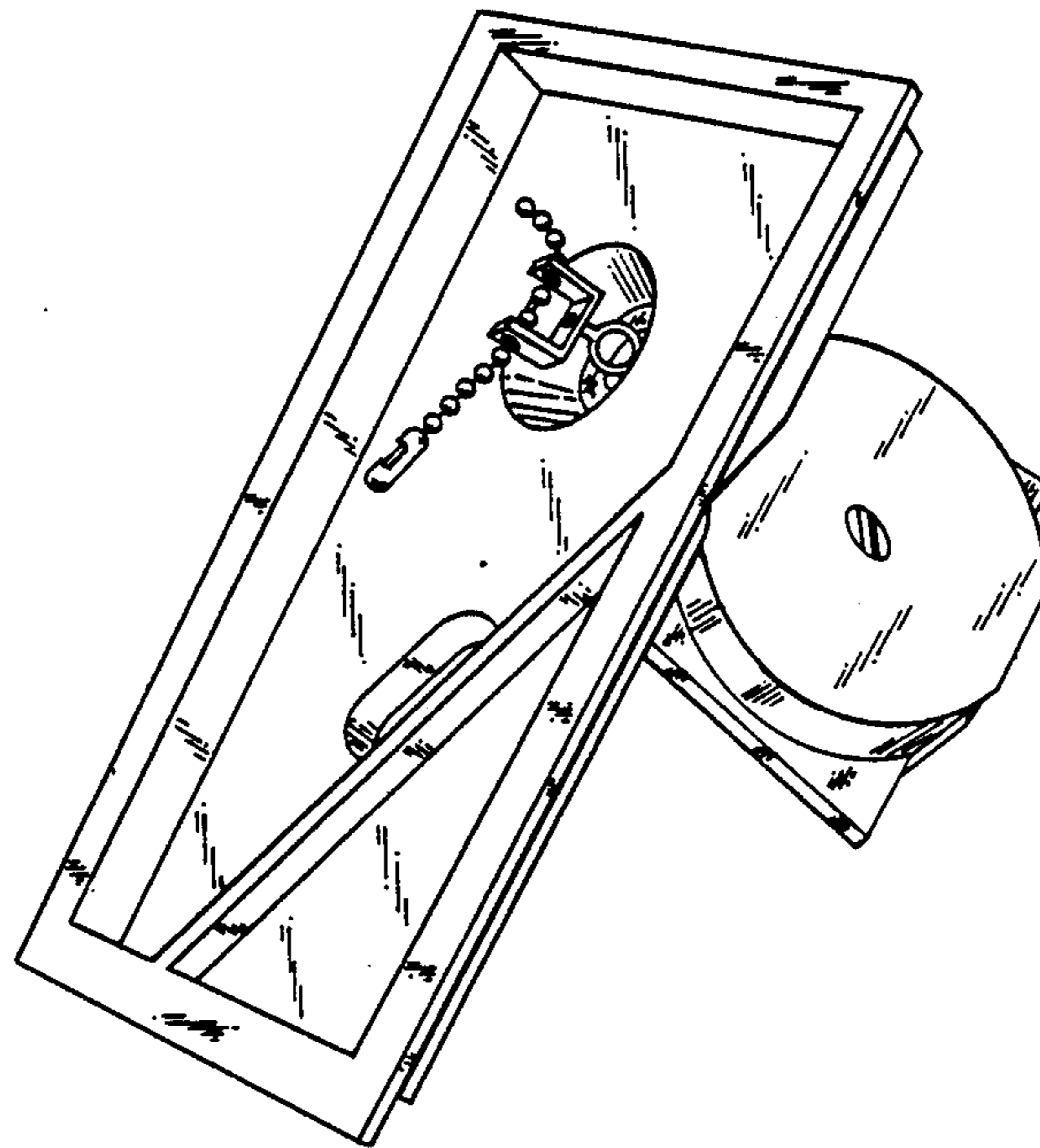
Primary Examiner—Carmen H. Vales
Attorney, Agent, or Firm—Mills & Coats

[57] CLAIM

The ornamental design for a scissors display tray, as shown.

DESCRIPTION

FIG. 1 is a perspective view of a scissors display tray showing my new design;
FIG. 2 is a top plan view thereof;
FIG. 3 is a right side elevational view thereof;
FIG. 4 is a bottom plan view thereof;
FIG. 5 is a left side elevational view thereof.
FIG. 6 is a right end elevational view of FIG. 3.
FIG. 7 is a right end elevational view of FIG. 5.



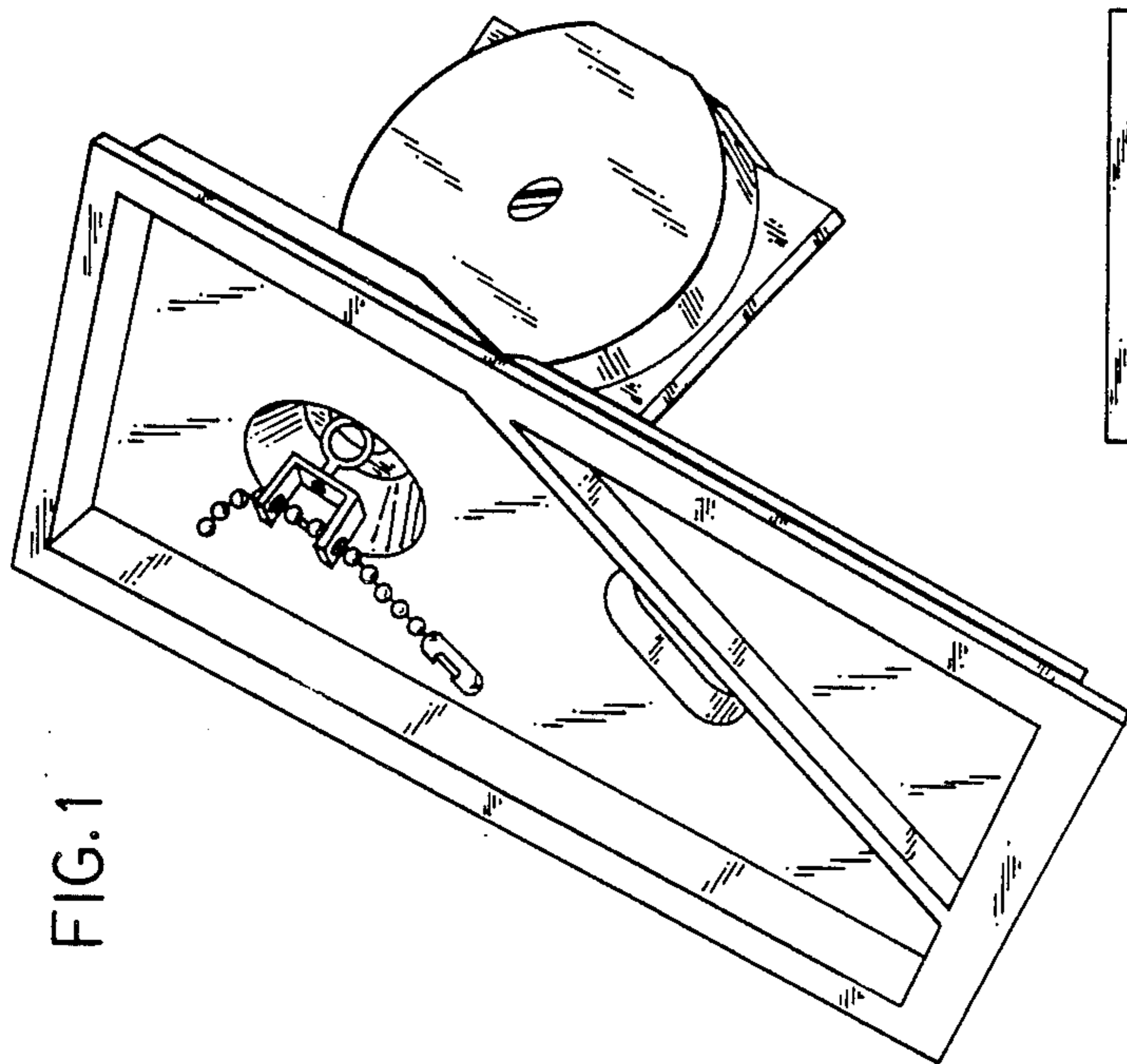


FIG. 1

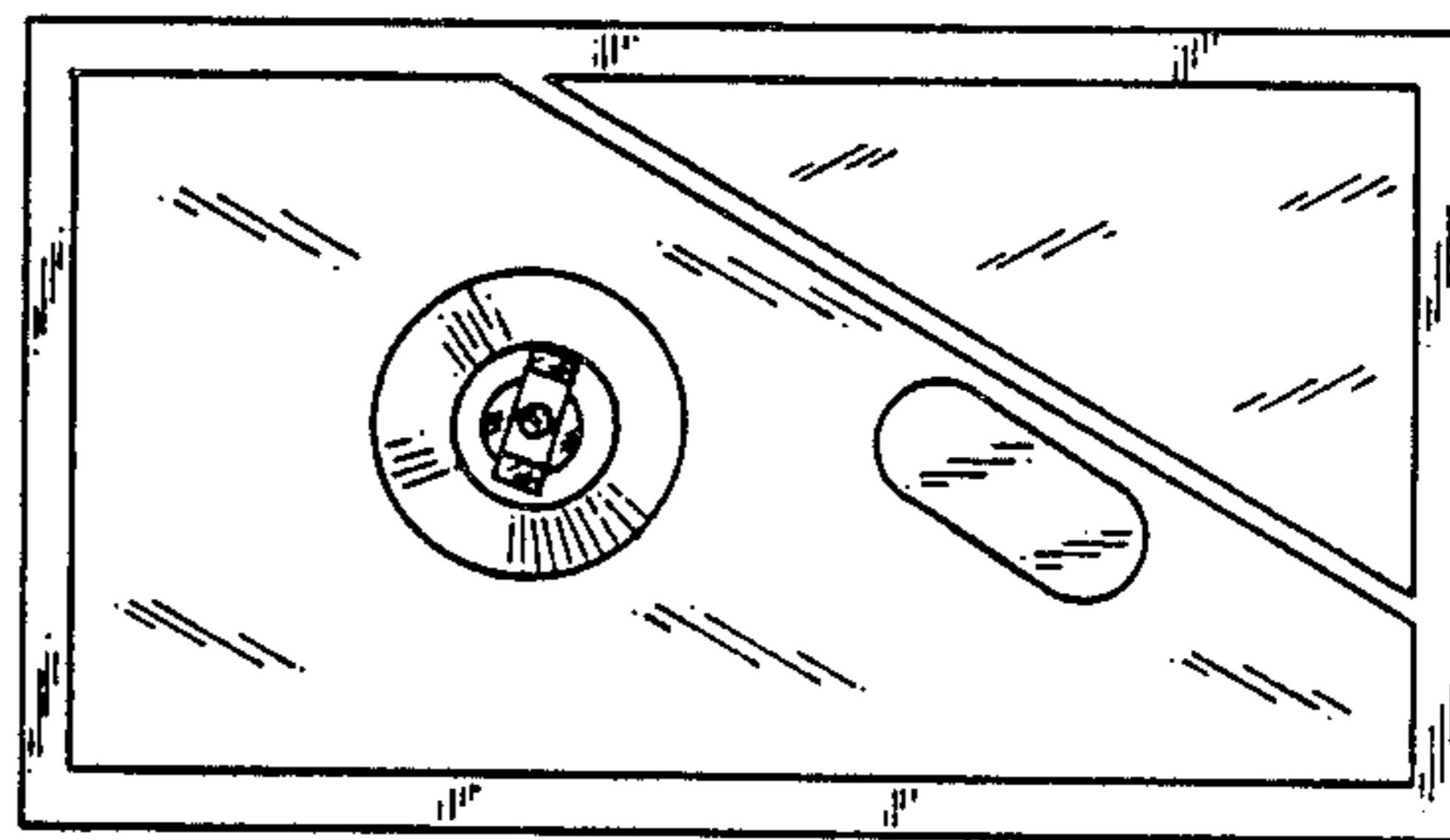


FIG. 2

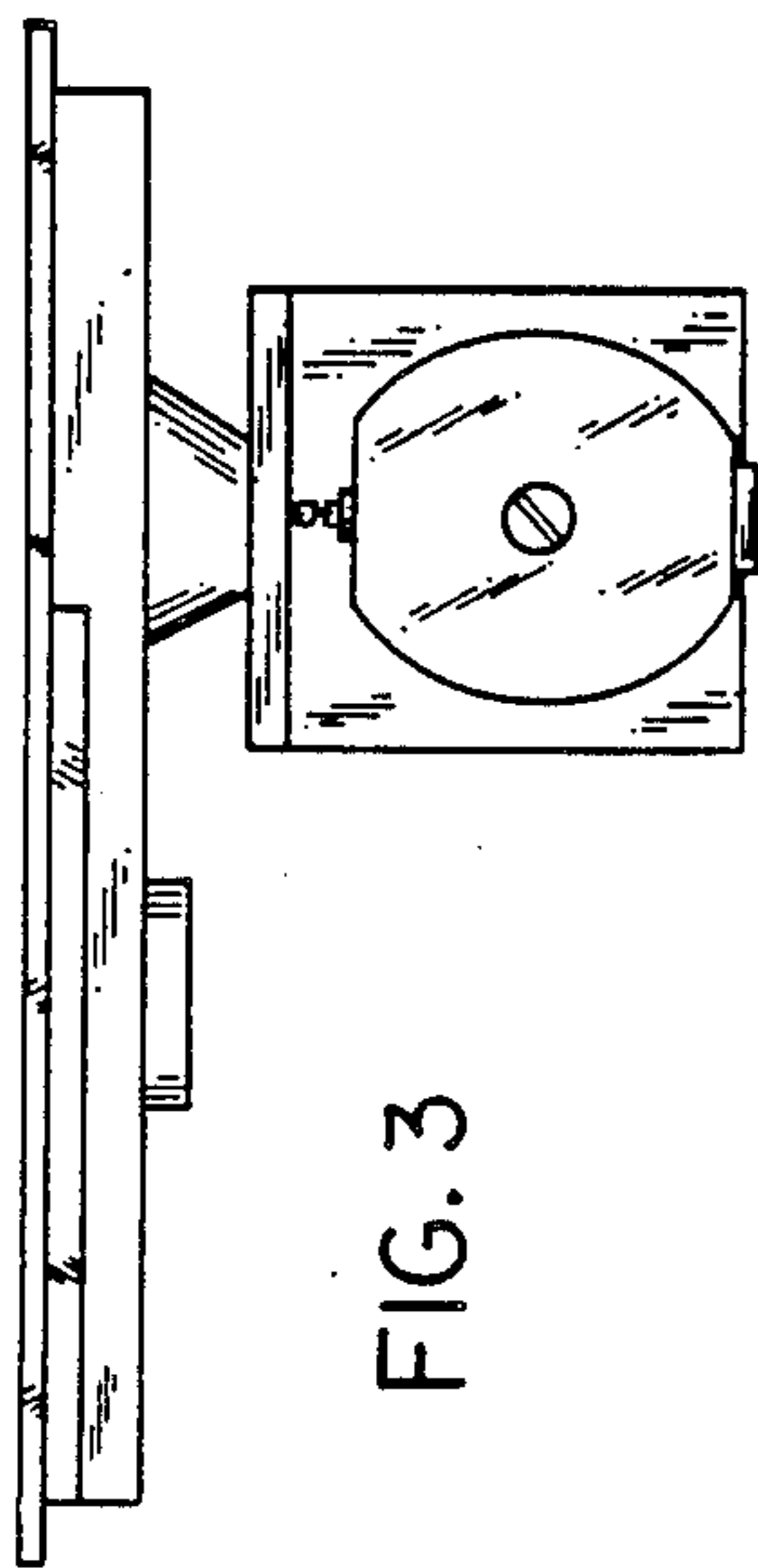


FIG. 3

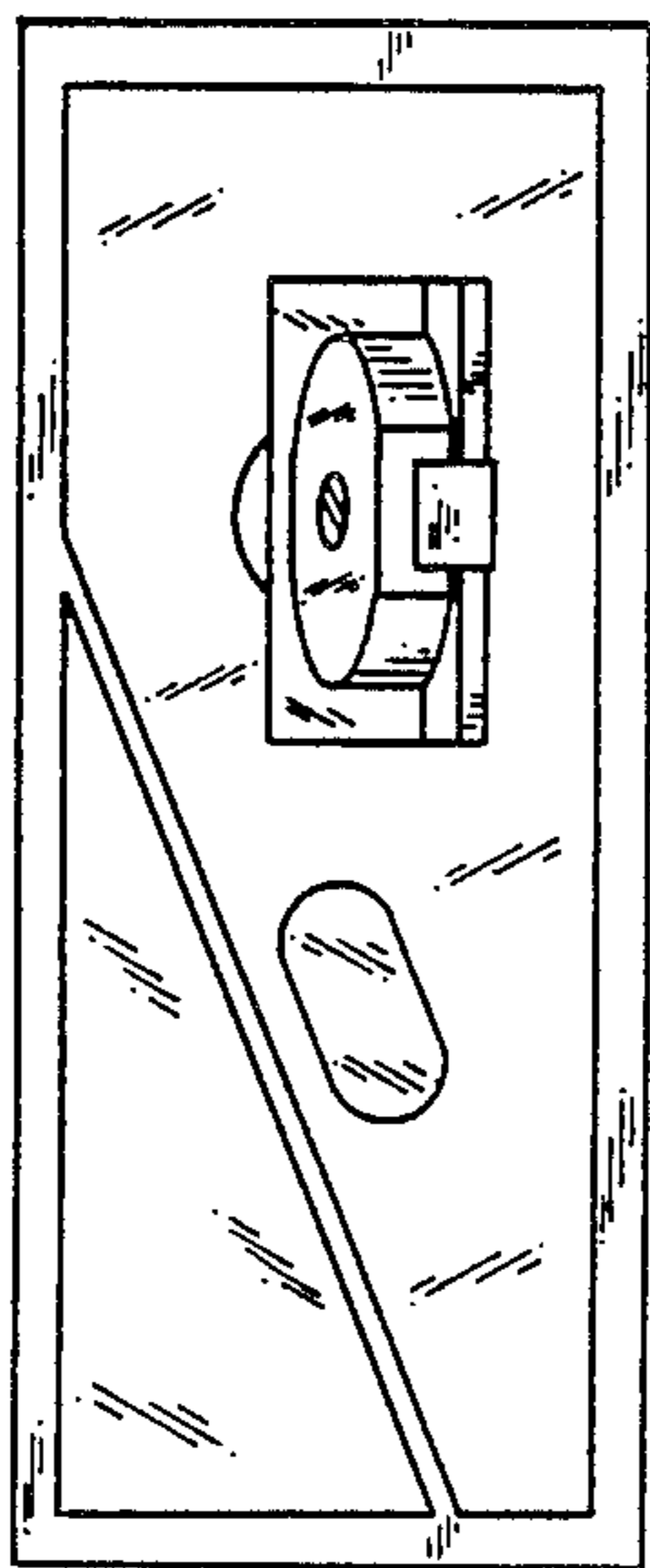


FIG. 4

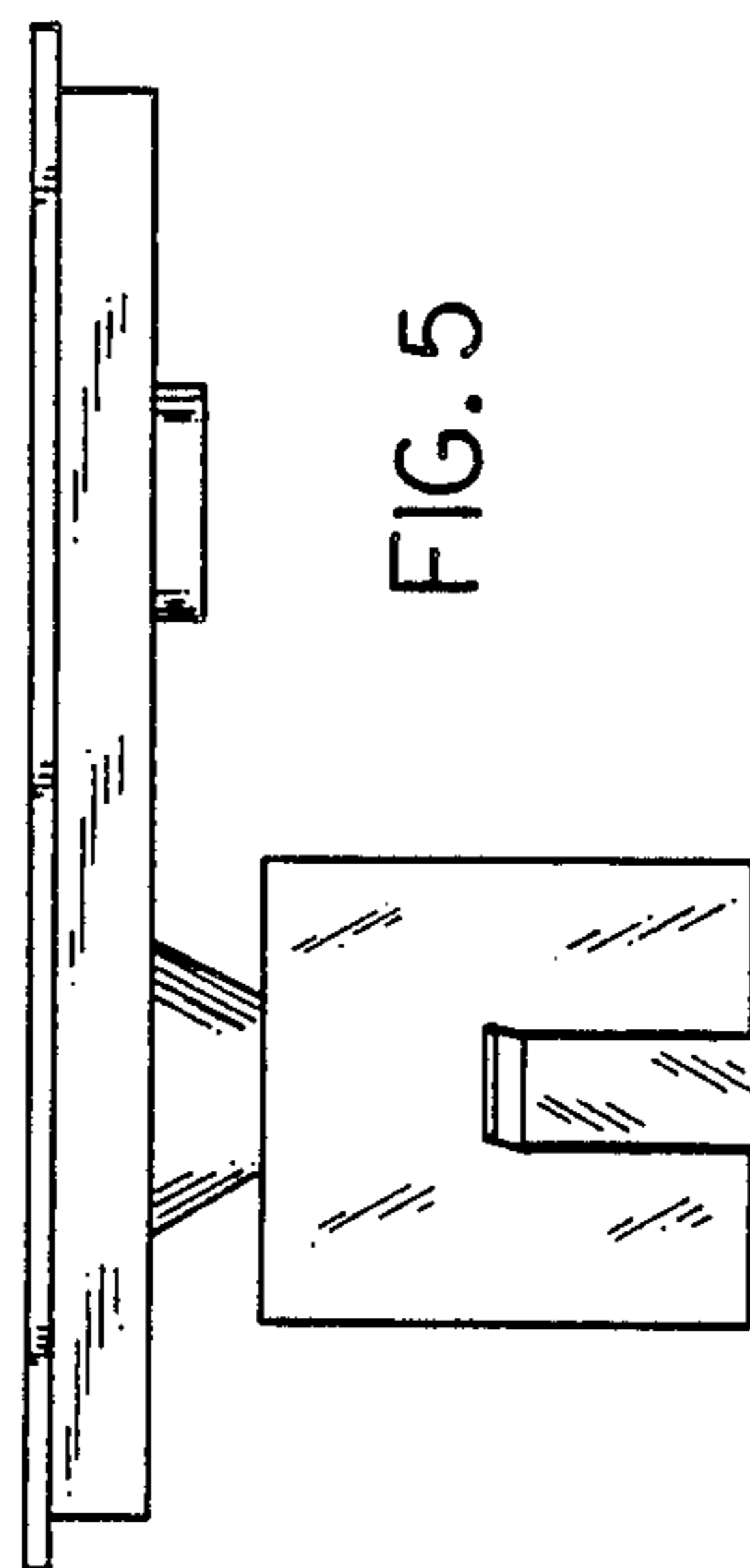


FIG. 5

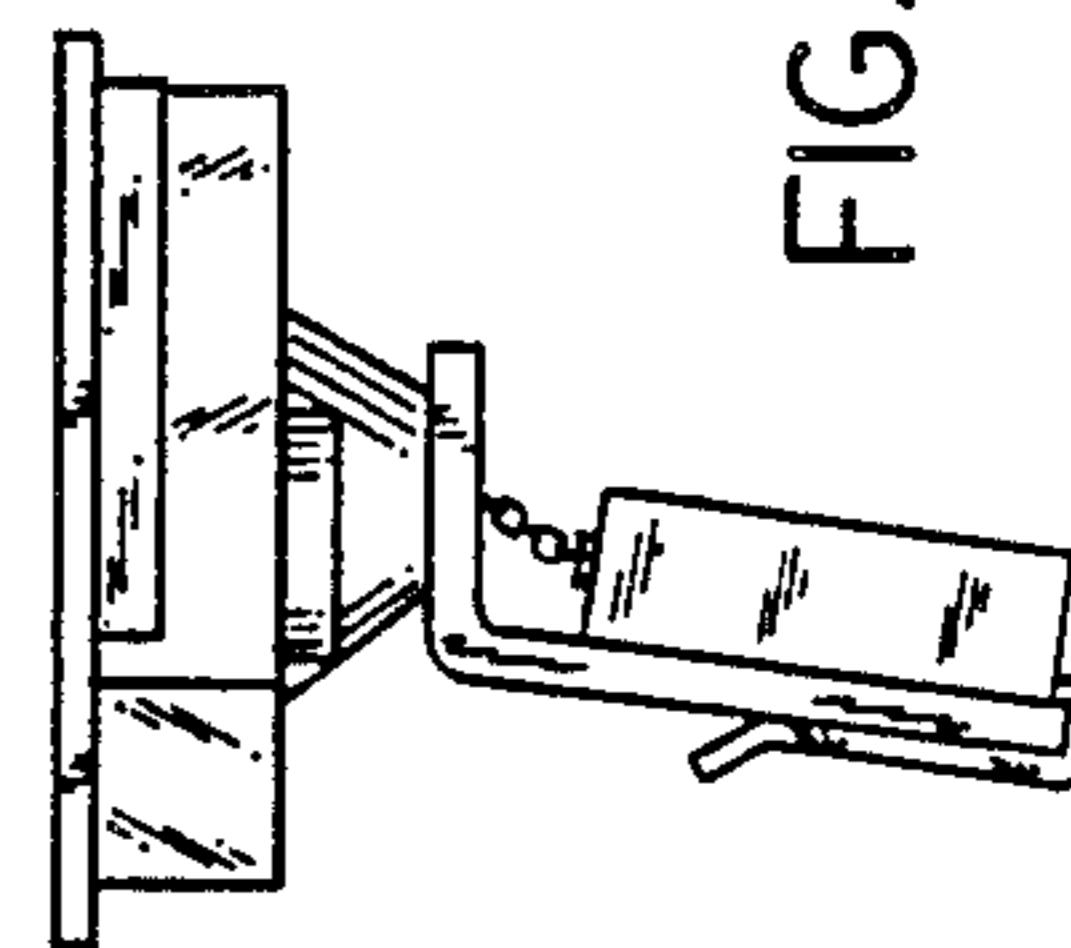


FIG. 6

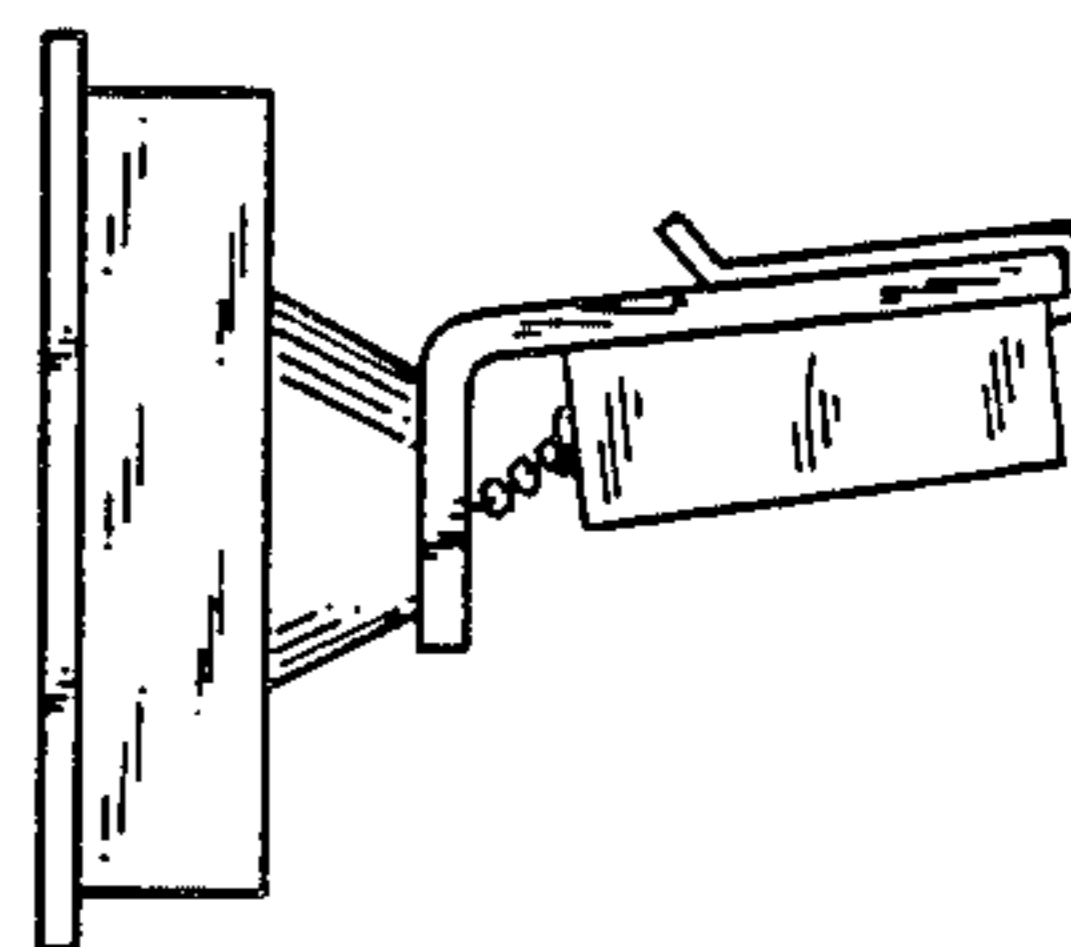


FIG. 7