

United States Patent [19]

Wenkman

[11] Patent Number: Des. 294,897

[45] Date of Patent: ** Mar. 29, 1988

[54] FILE BOX

[75] Inventor: Gregory J. Wenkman, Middleton, Wis.

[73] Assignee: Traex Corporation, Dane, Wis.

[**] Term: 14 Years

[21] Appl. No.: 702,908

[22] Filed: Feb. 19, 1985

[52] U.S. Cl. D6/448

[58] Field of Search D6/432, 448; D34/43, D34/40; 312/184; 211/189

[56] References Cited

U.S. PATENT DOCUMENTS

D. 167,622 9/1952 Erickson D34/43
D. 188,073 5/1960 Lovell D34/43

D. 230,658 3/1974 Powell D34/40
D. 232,812 9/1974 Ogle et al. D34/40
D. 255,518 6/1980 Logsdon D6/448
D. 275,141 8/1984 Andersson D34/40

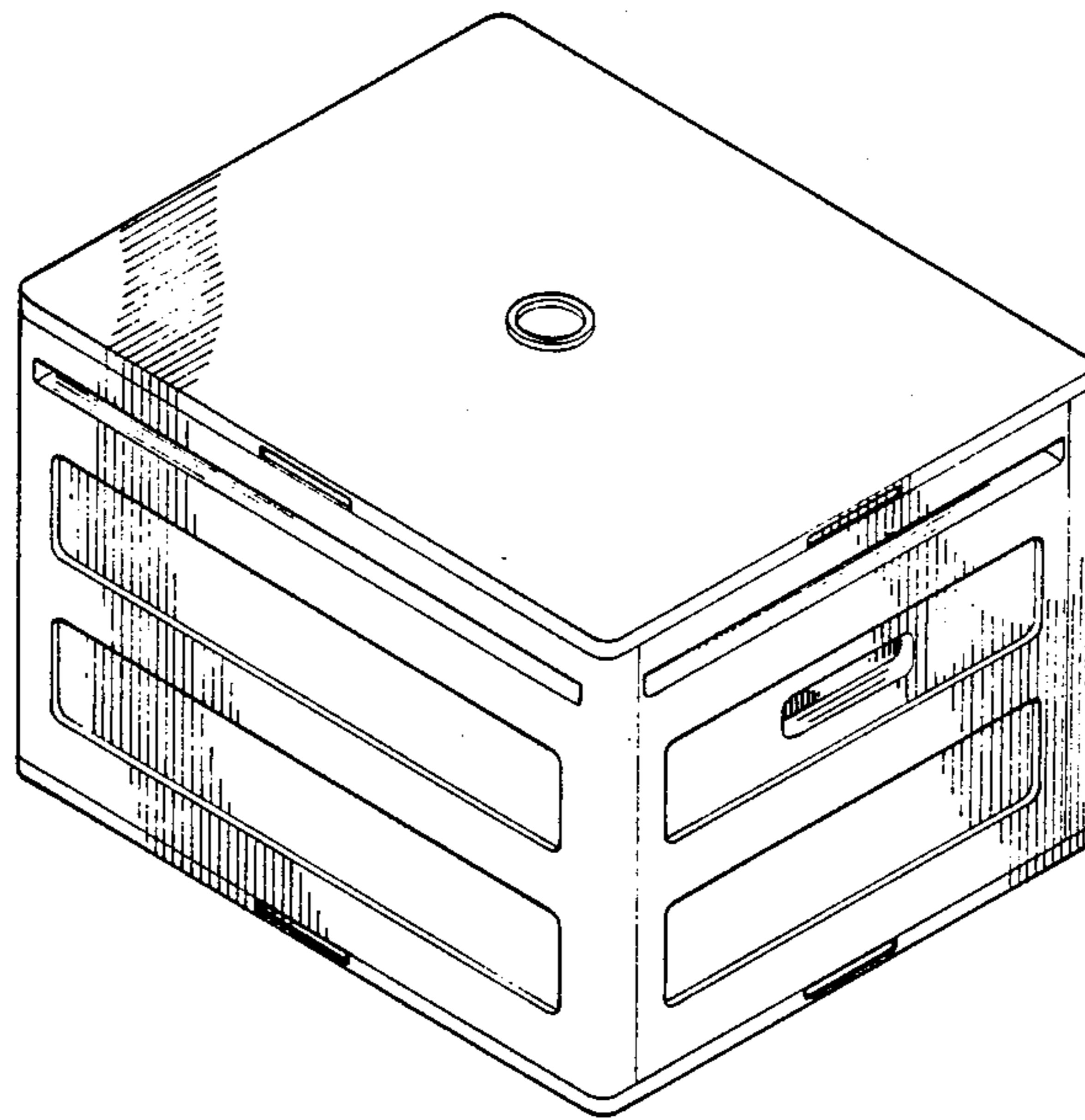
Primary Examiner—Carmen H. Vales
Attorney, Agent, or Firm—Isaksen, Lathrop, Esch, Hart & Clark

[57] CLAIM

The ornamental design for a file box, as shown and described.

DESCRIPTION

FIG. 1 is a perspective view of a file box showing my new design;
FIG. 2 is a left side elevational view thereof;
FIG. 3 is a rear elevational view thereof; and
FIG. 4 is a bottom plan view thereof.



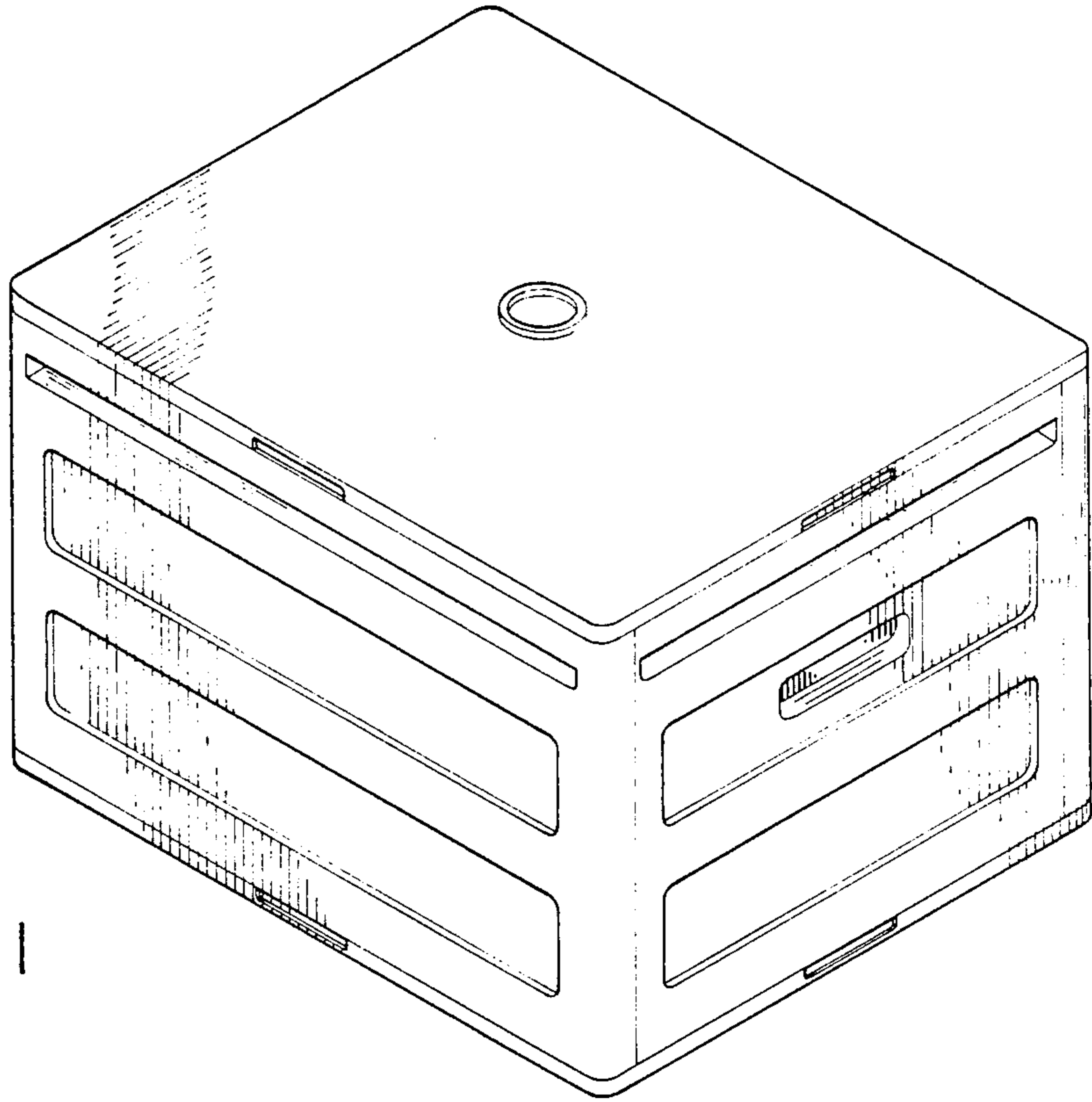


FIG. 1

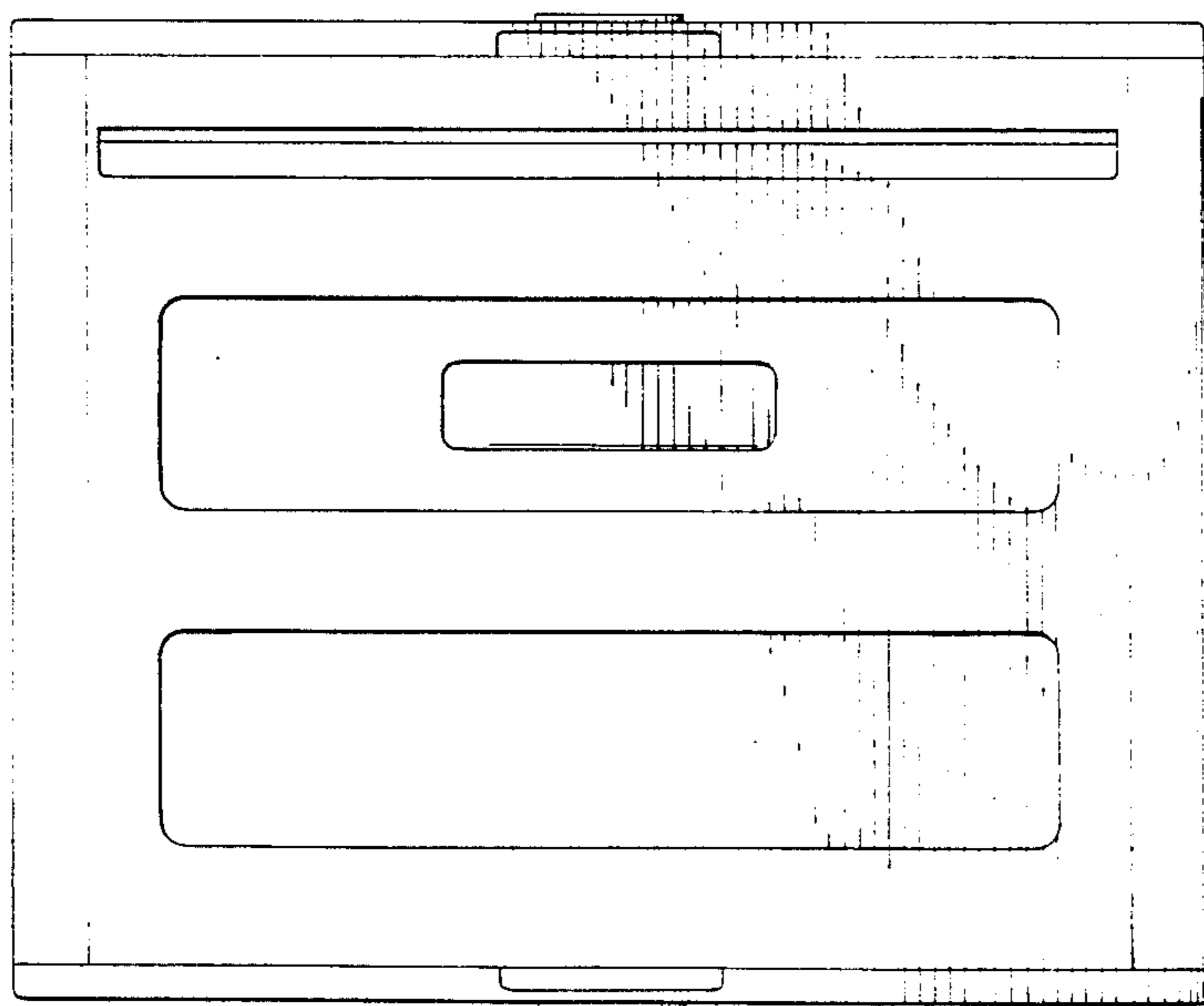


FIG. 2

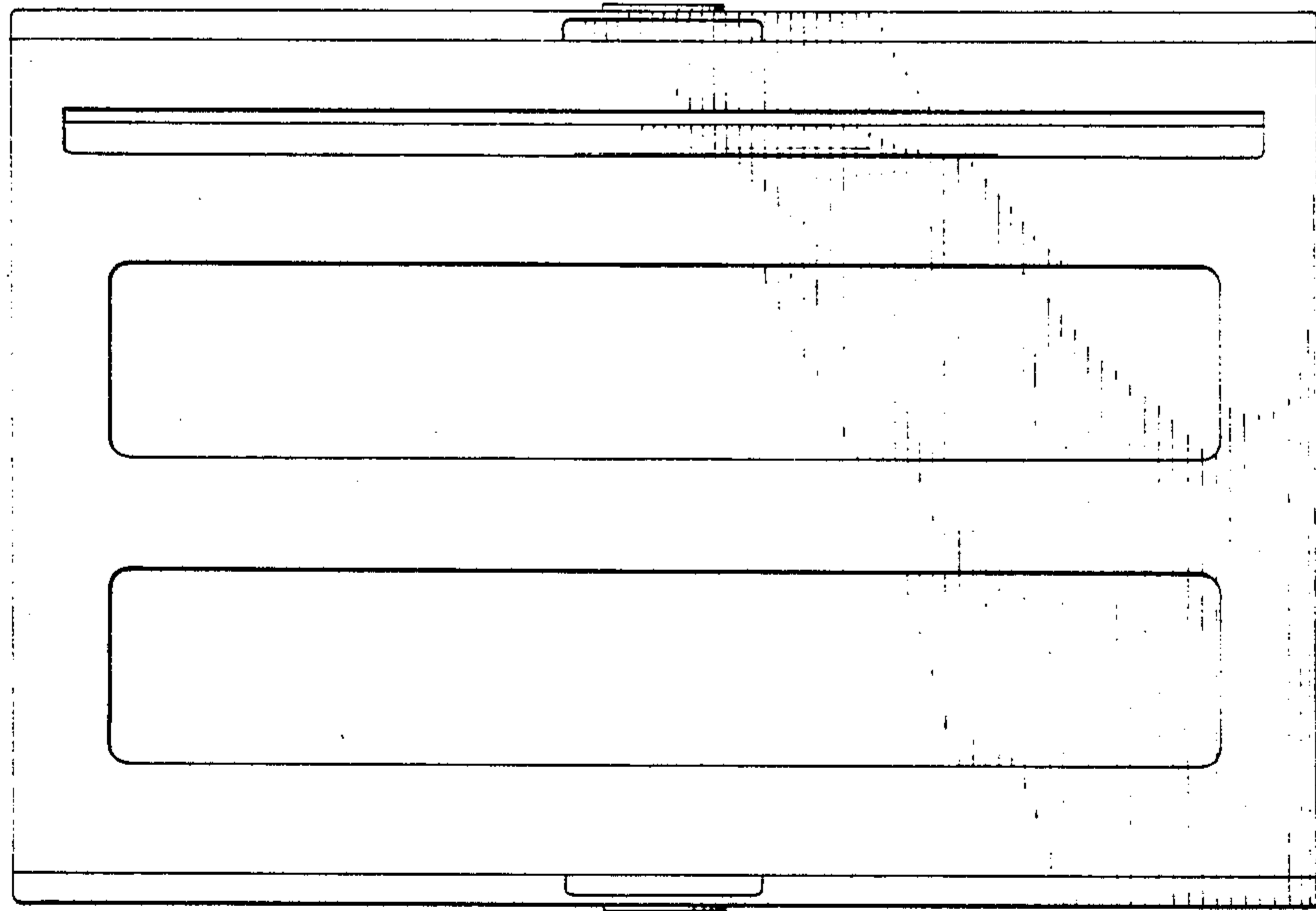


FIG. 3

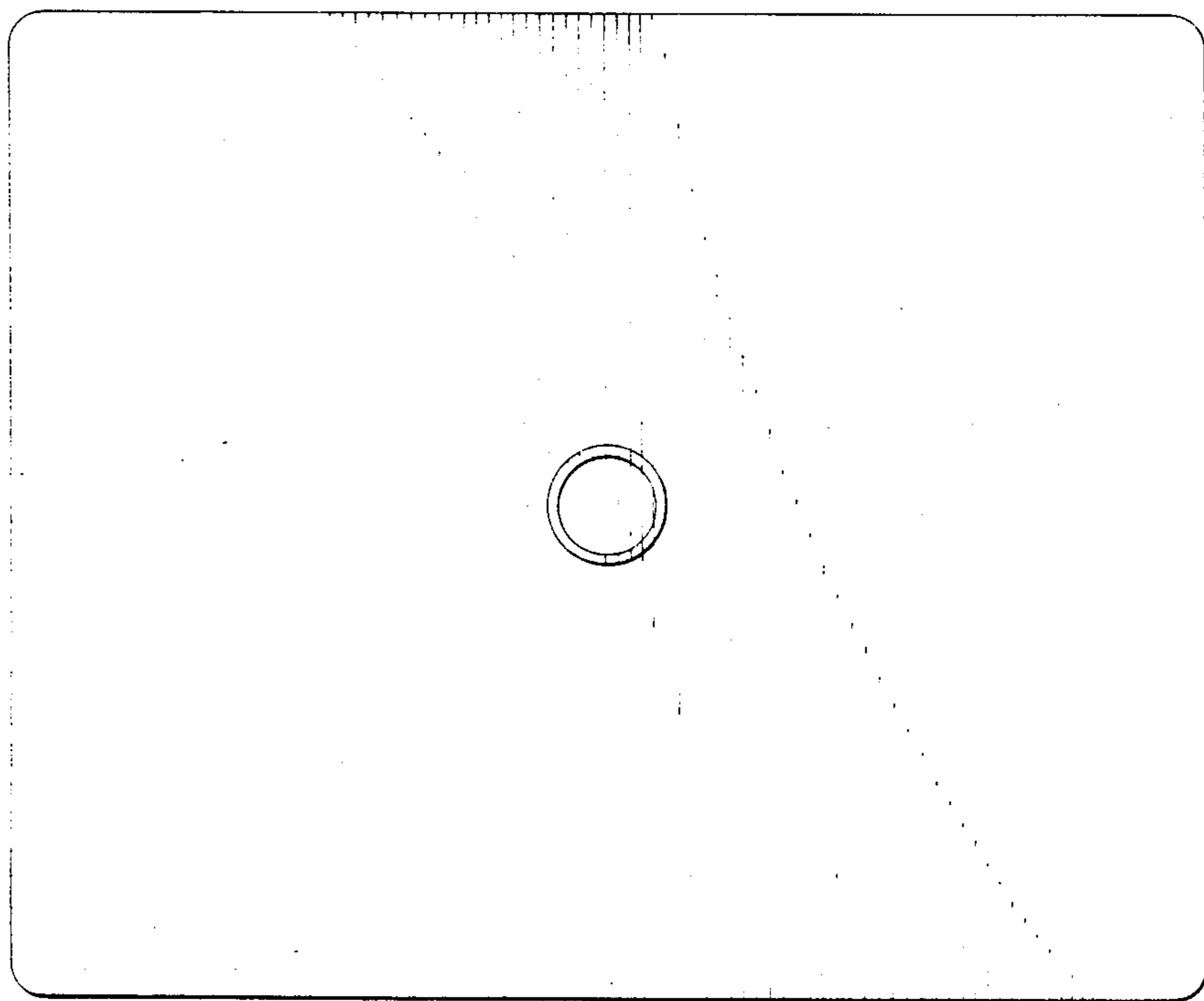


FIG. 4