

United States Patent [19]

Hubert

[11] Patent Number: Des. 294,892

[45] Date of Patent: ** Mar. 29, 1988

- [54] LAWN CHAIR
- [75] Inventor: Manfred Hubert, Seyssins, France
- [73] Assignee: Allibert S.A., Grenoble, France
- [**] Term: 14 Years
- [21] Appl. No.: 777,037
- [22] Filed: Sep. 17, 1985
- [30] Foreign Application Priority Data
 Apr. 15, 1985 [XH] Hague DM/005108
- [52] U.S. Cl. D6/370
- [58] Field of Search D6/334, 360, 361, 367,
 D6/368, 370, 379, 380; 297/440, 445
- [56] References Cited
 U.S. PATENT DOCUMENTS
 D. 259,679 6/1981 Sroub D6/361

- D. 273,444 4/1984 Harper et al. D6/370
- D. 276,106 10/1984 Grosfillex D6/368
- D. 284,913 8/1986 DeCorinck D6/368

Primary Examiner—Bruce W. Dunkins
Attorney, Agent, or Firm—Young & Thompson

[57] CLAIM

The ornamental design for a lawn chair, as shown and described.

DESCRIPTION

FIG. 1 is a front perspective view of a lawn chair showing my new design;
FIG. 2 is a top perspective view thereof;
FIG. 3 is a front perspective view thereof;
FIG. 4 is a rear perspective view thereof; and
FIG. 5 is a side perspective view thereof, the side opposite that shown in FIG. 5 being the mirror image thereof.

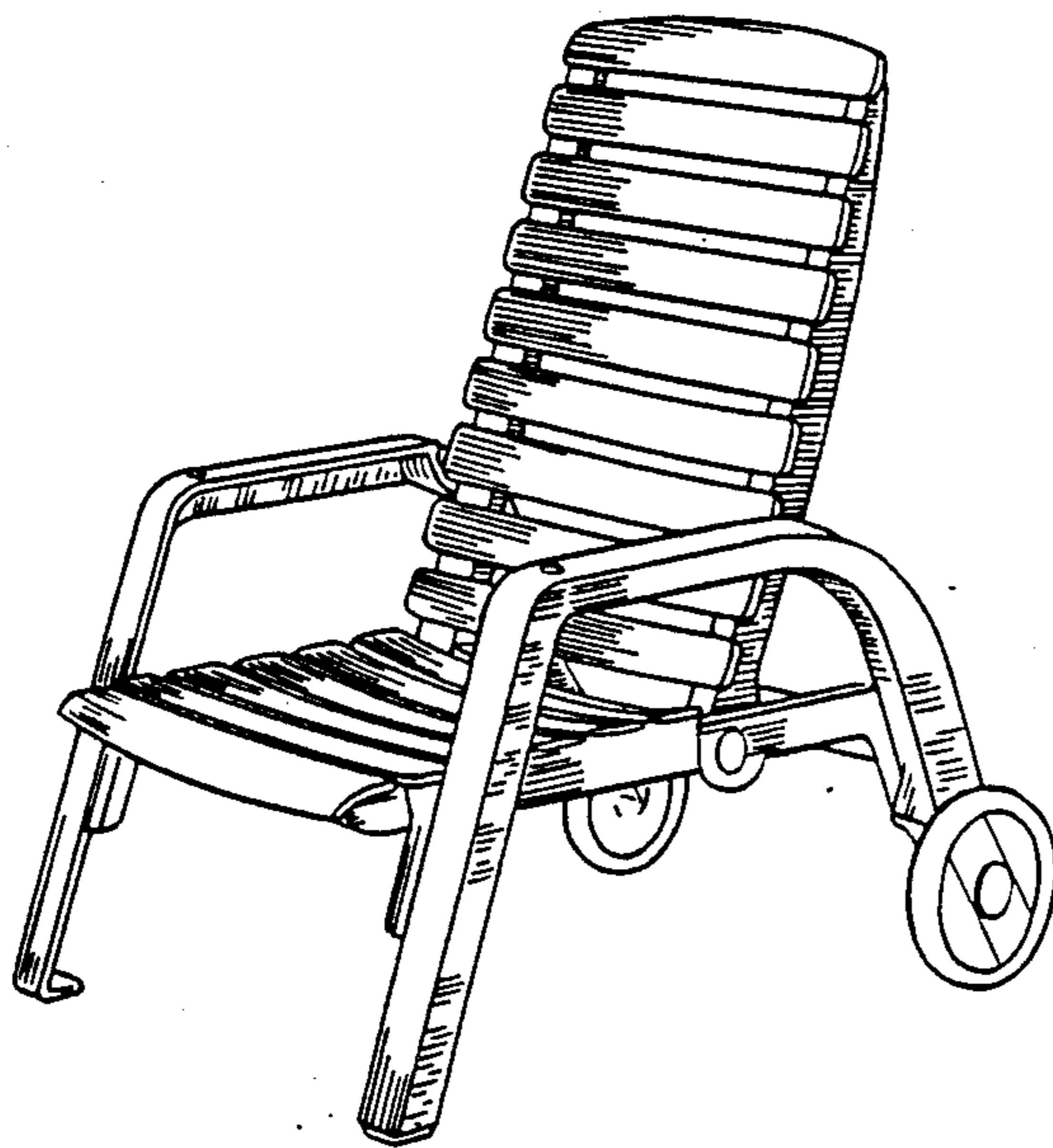


FIG. 1

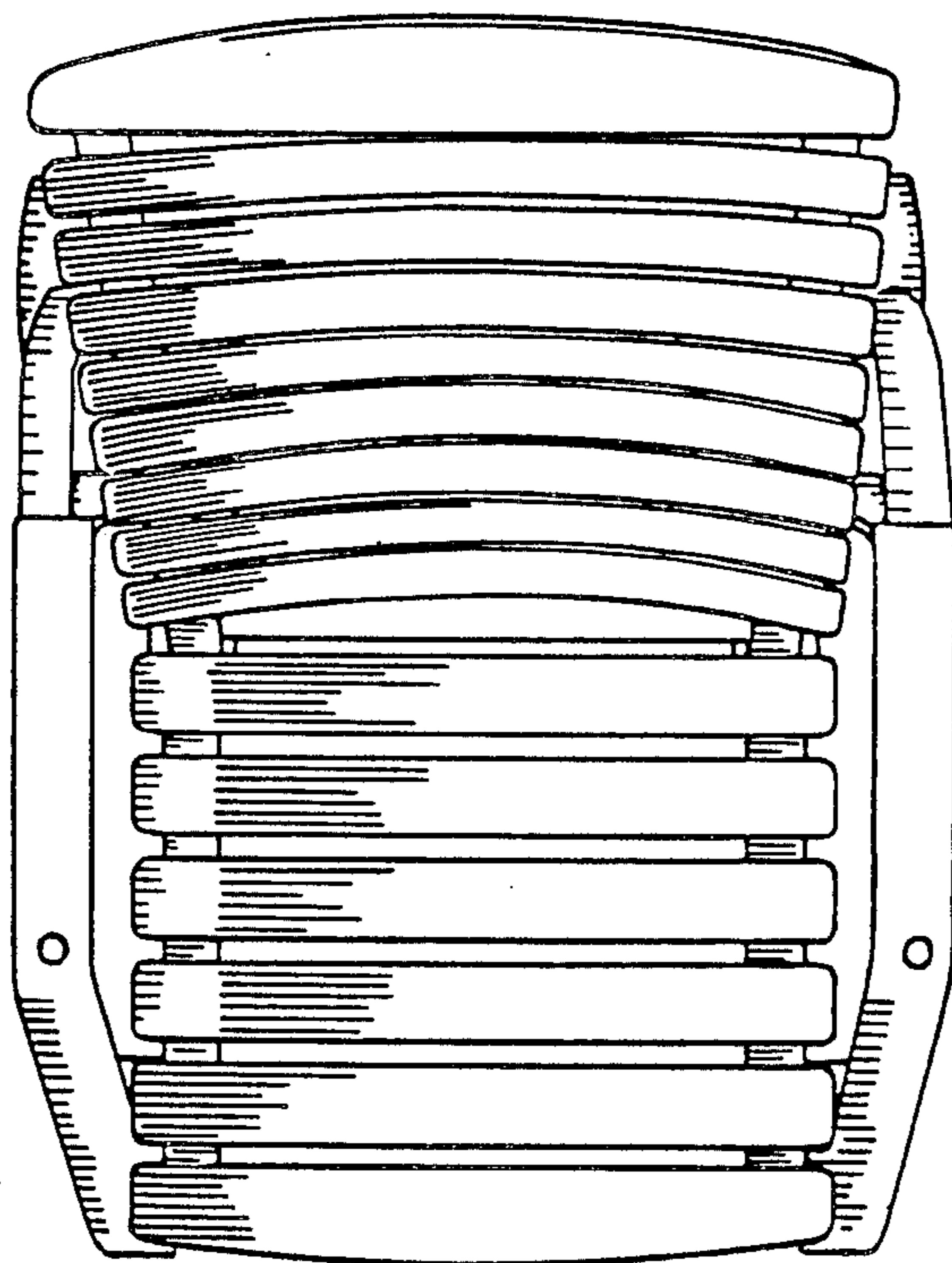
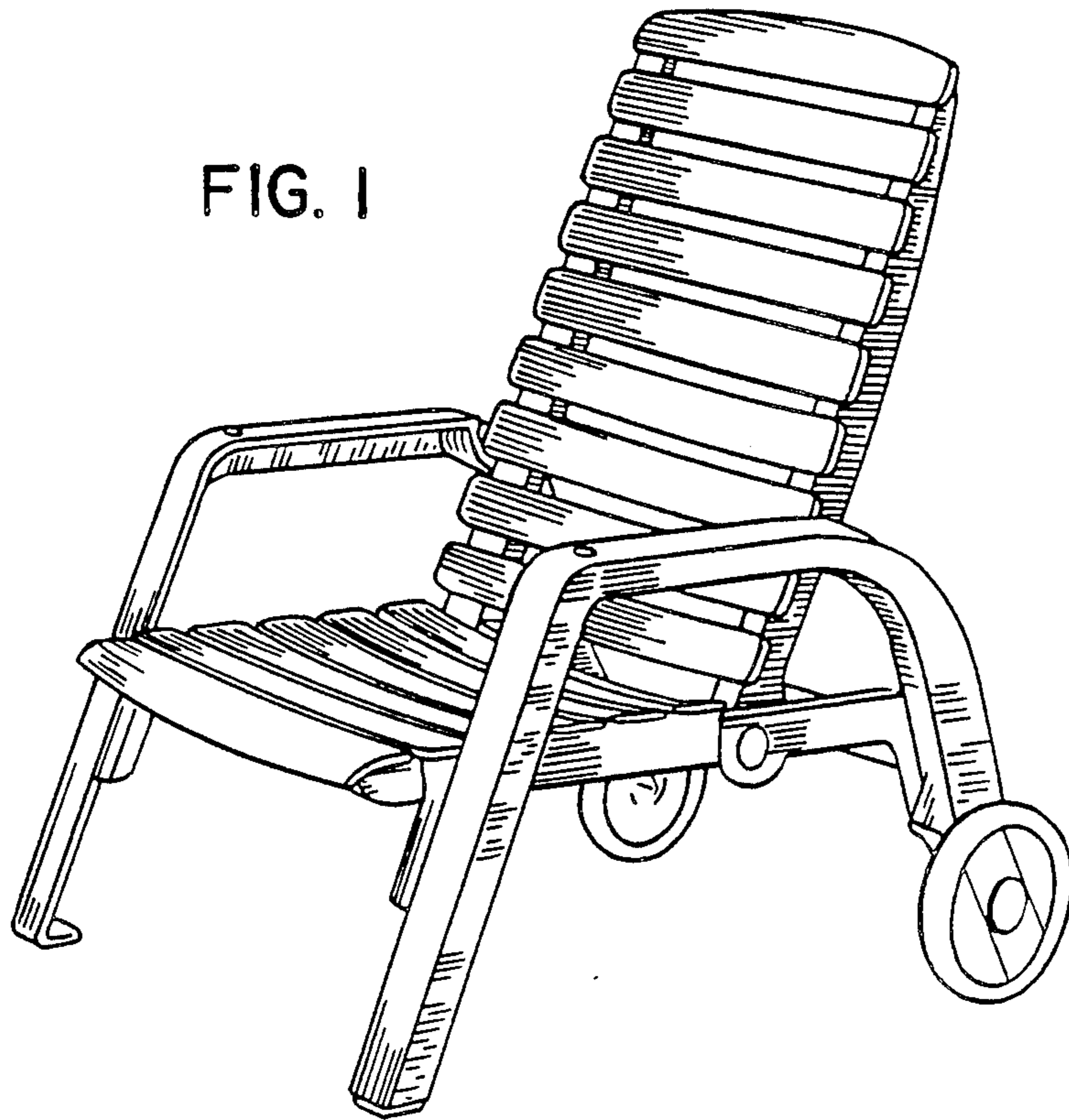


FIG. 2

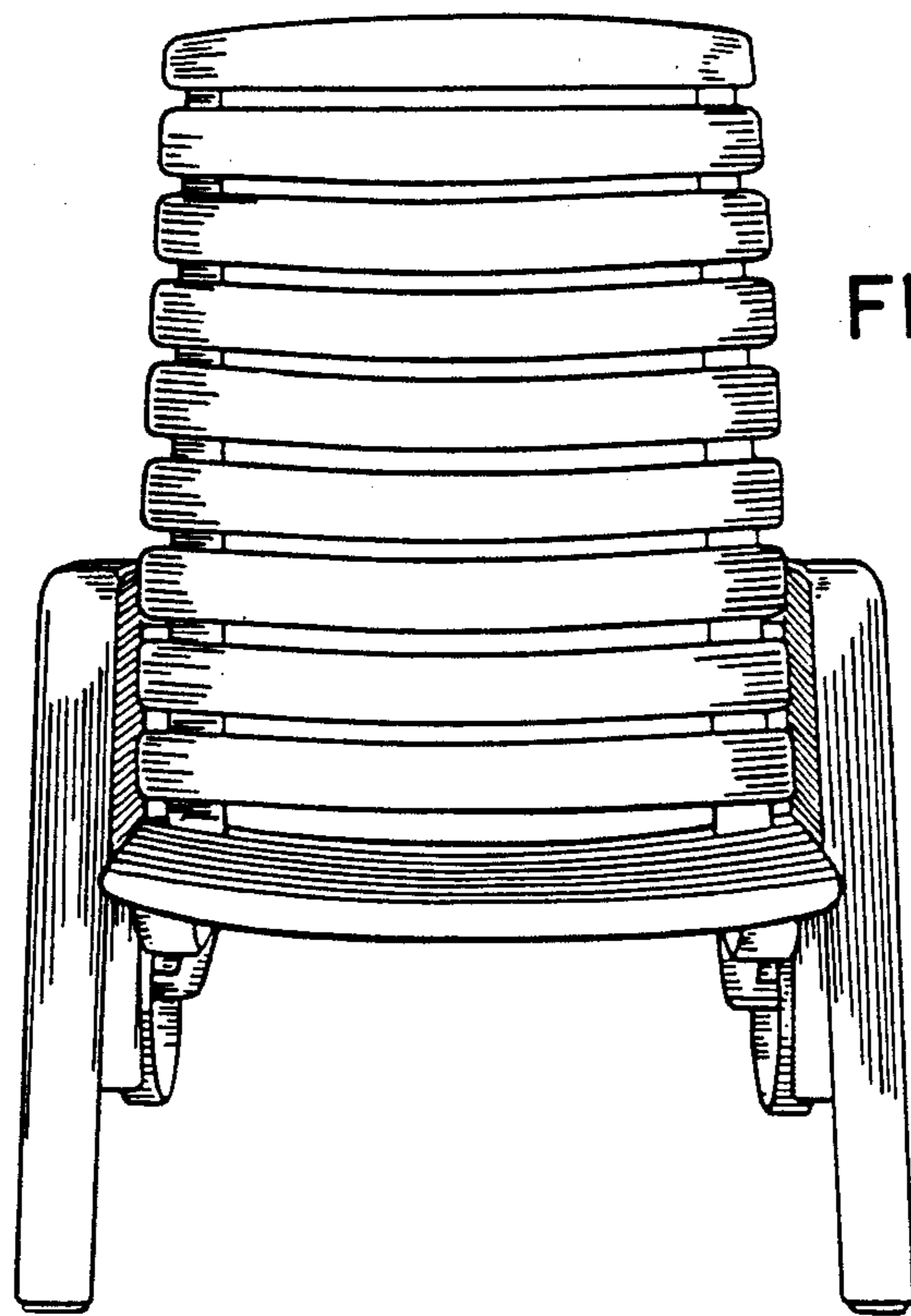


FIG. 3

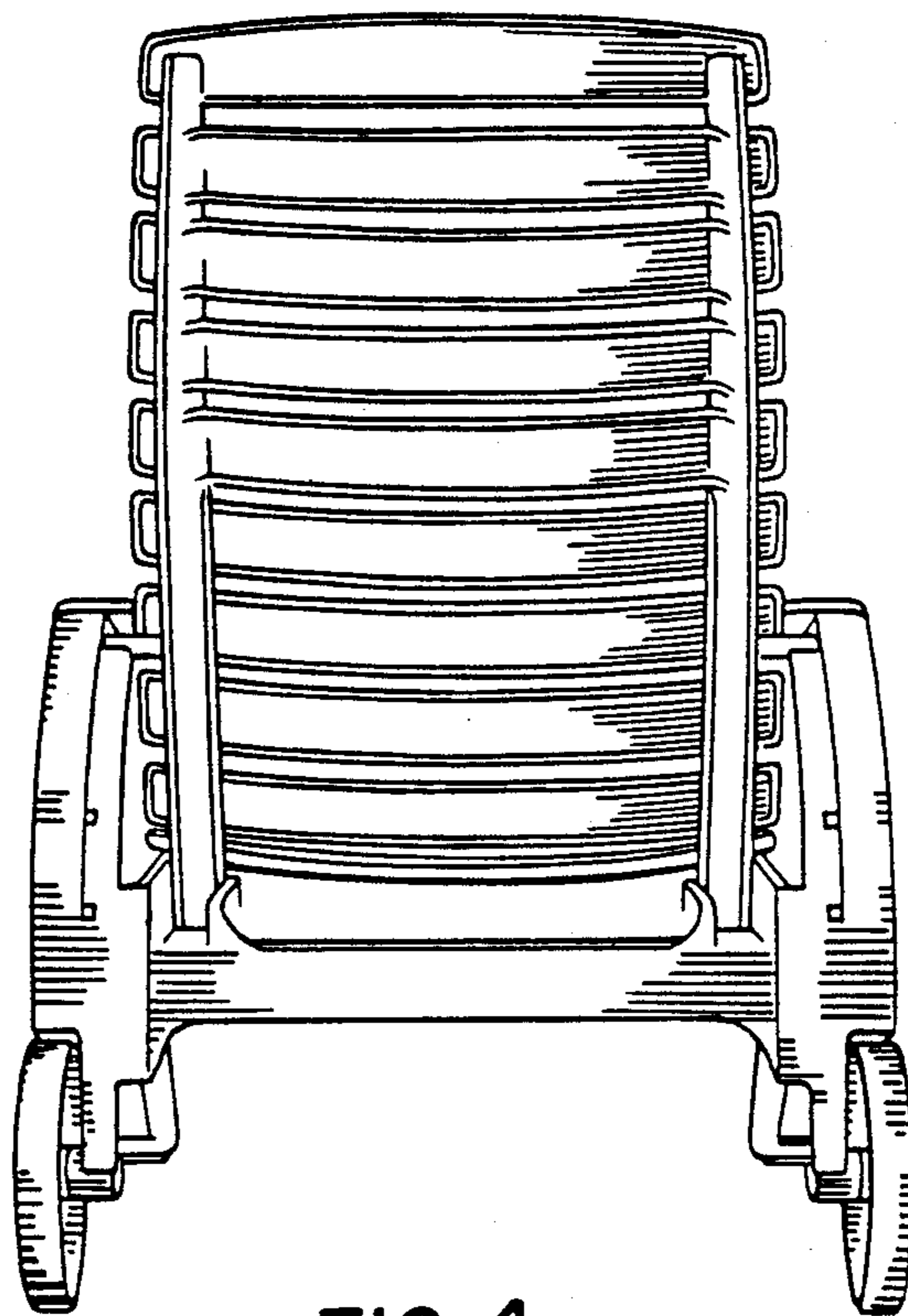


FIG. 4

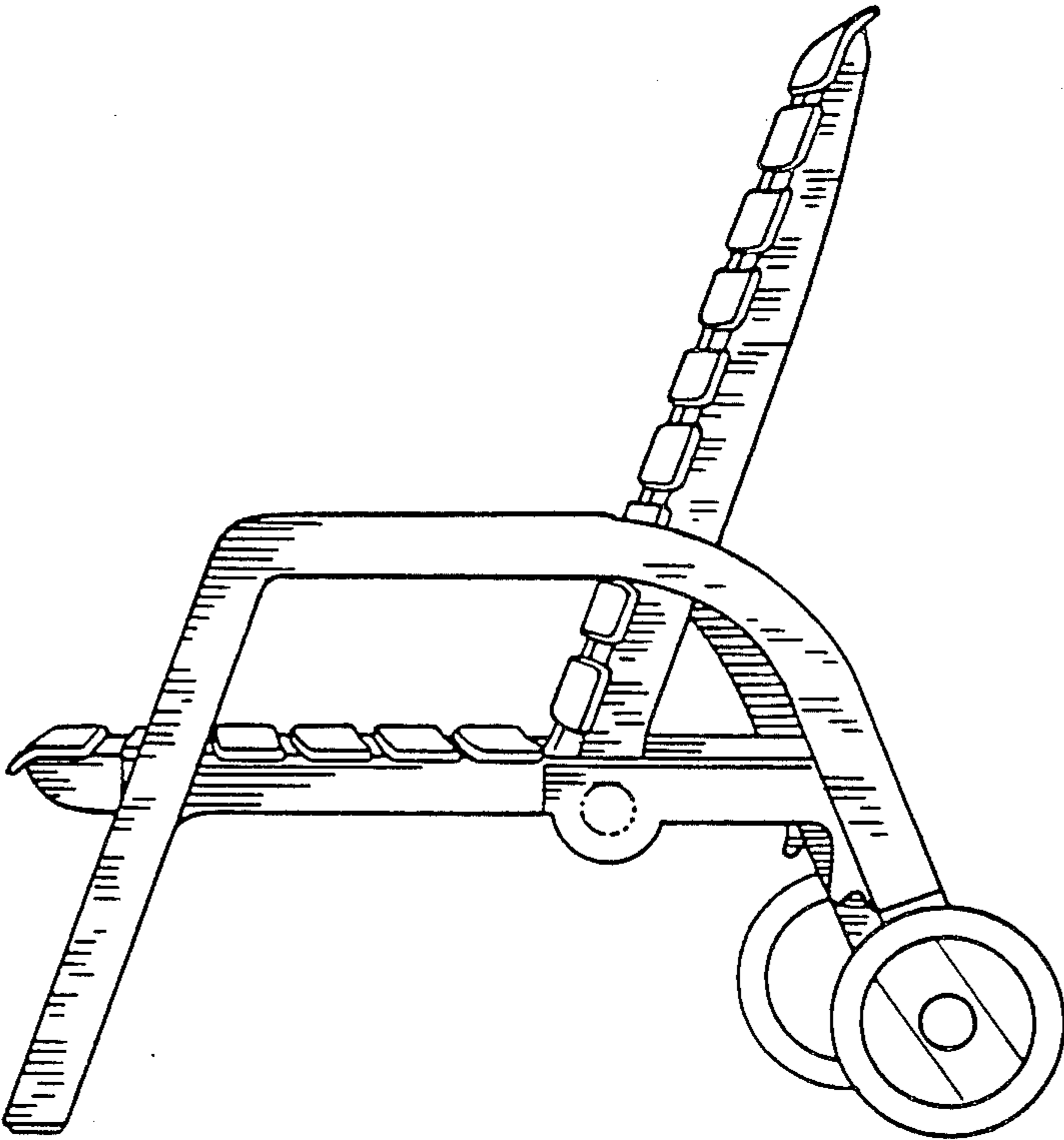


FIG. 5