

[54] CHAISE LOUNGE

[75] Inventor: Manfred Hubert, Seyssins, France

[73] Assignee: Allibert S.A., Grenoble, France

[\*\*] Term: 14 Years

[21] Appl. No.: 777,036

[22] Filed: Sep. 17, 1985

[30] Foreign Application Priority Data

Apr. 15, 1985 [XH] Hague ..... DM/005108

[52] U.S. Cl. .... D6/361

[58] Field of Search ..... D6/334, 360, 361, 367,  
D6/368, 370, 379, 380; 297/440, 445

[56] References Cited

U.S. PATENT DOCUMENTS

D. 259,679 6/1981 Sroub ..... D6/361

D. 278,392	4/1985	Bayly .....	D6/361
D. 279,240	6/1985	Jernigan .....	D6/361
D. 284,913	8/1986	Deconinck .....	D6/368
2,567,626	9/1951	Trouslot, Jr. ....	D6/361 X

Primary Examiner—Bruce W. Dunkins

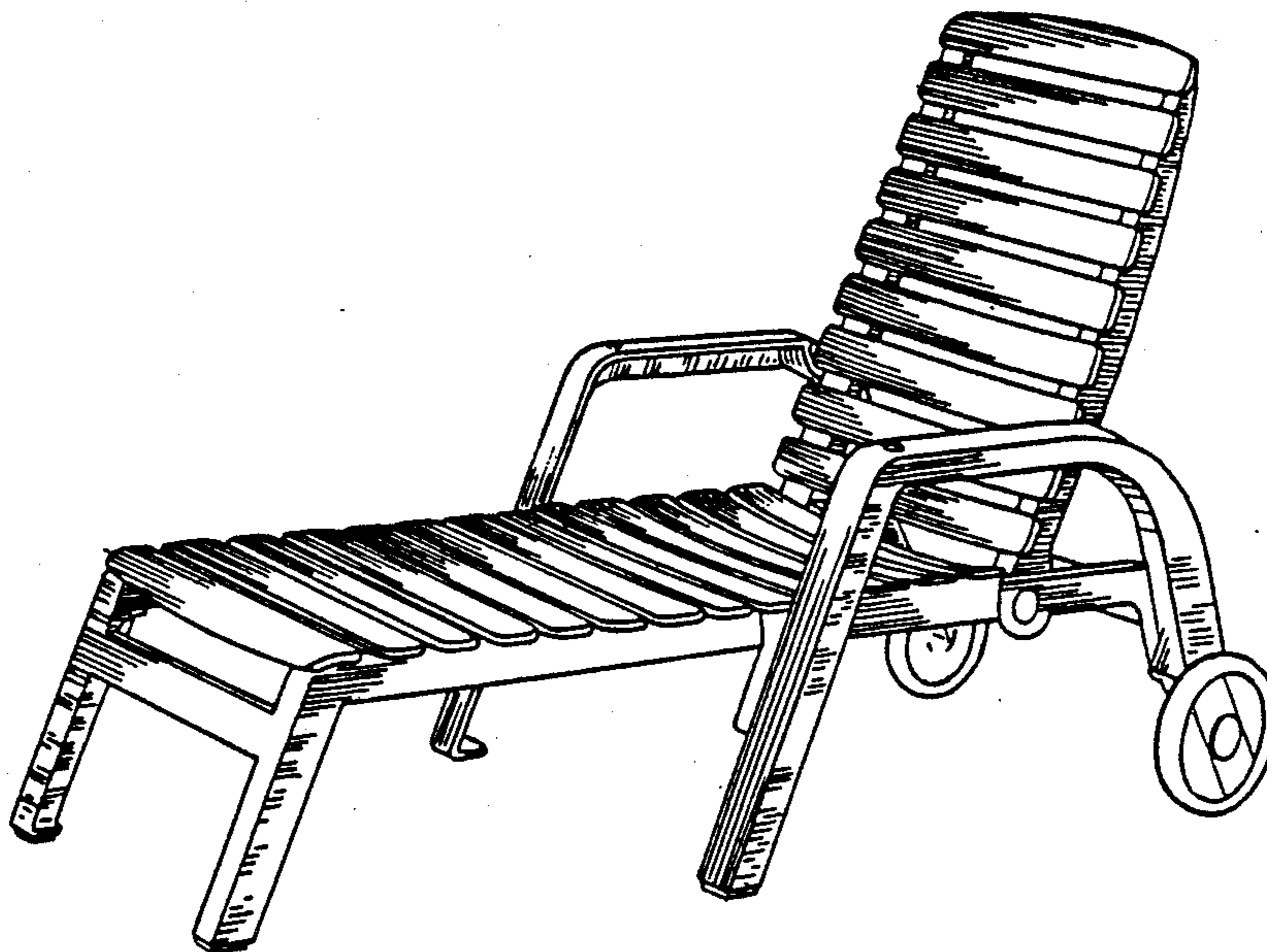
Attorney, Agent, or Firm—Young & Thompson

[57] CLAIM

The ornamental design for a chaise lounge, as shown and described.

DESCRIPTION

FIG. 1 is a front perspective view of a chaise lounge showing my new design; FIG. 2 is a top perspective view thereof; FIG. 3 is a front perspective view thereof; FIG. 4 is a rear perspective view thereof; and FIG. 5 is a side perspective view thereof, the side opposite that shown in FIG. 5 being the mirror image thereof.



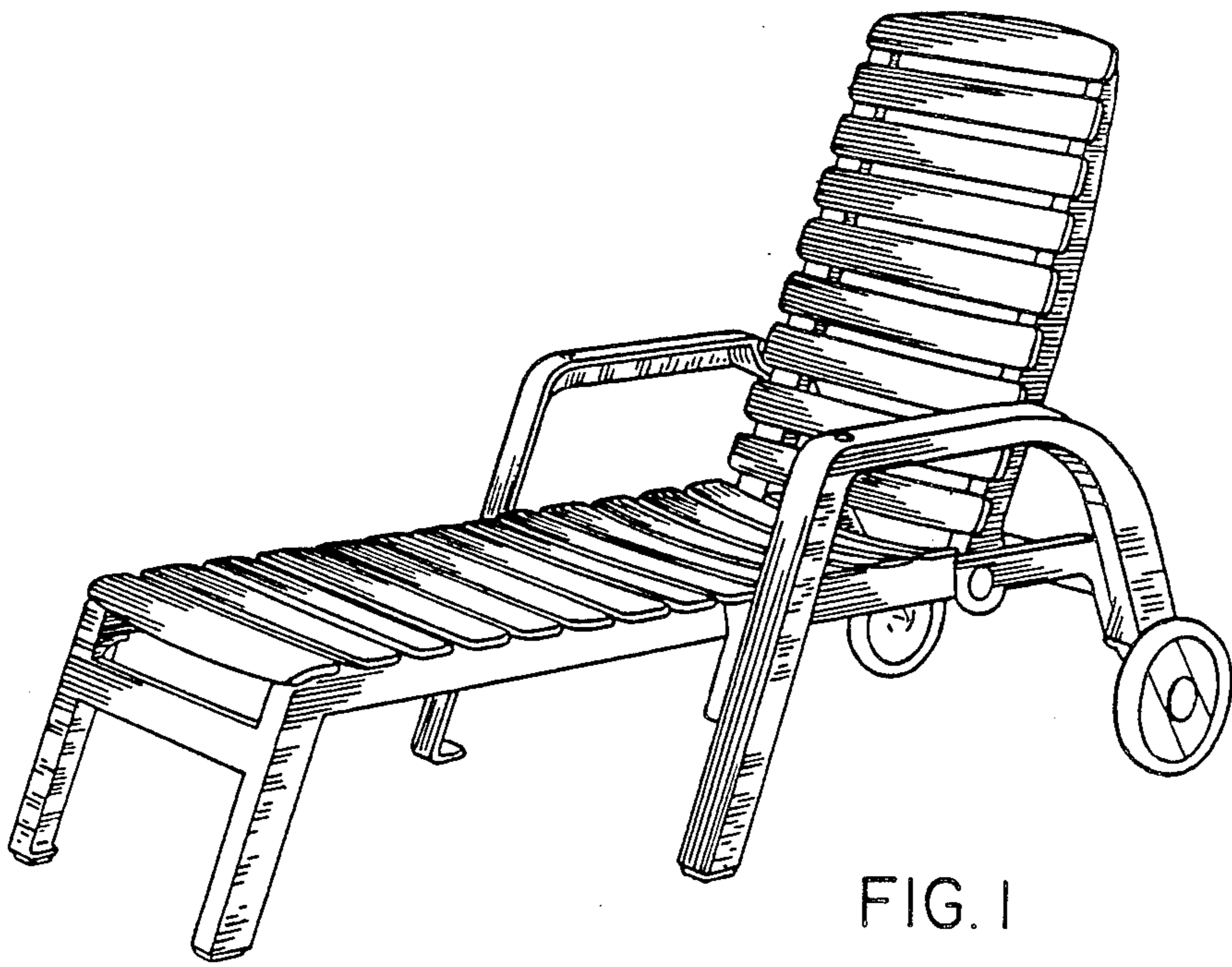


FIG. 1

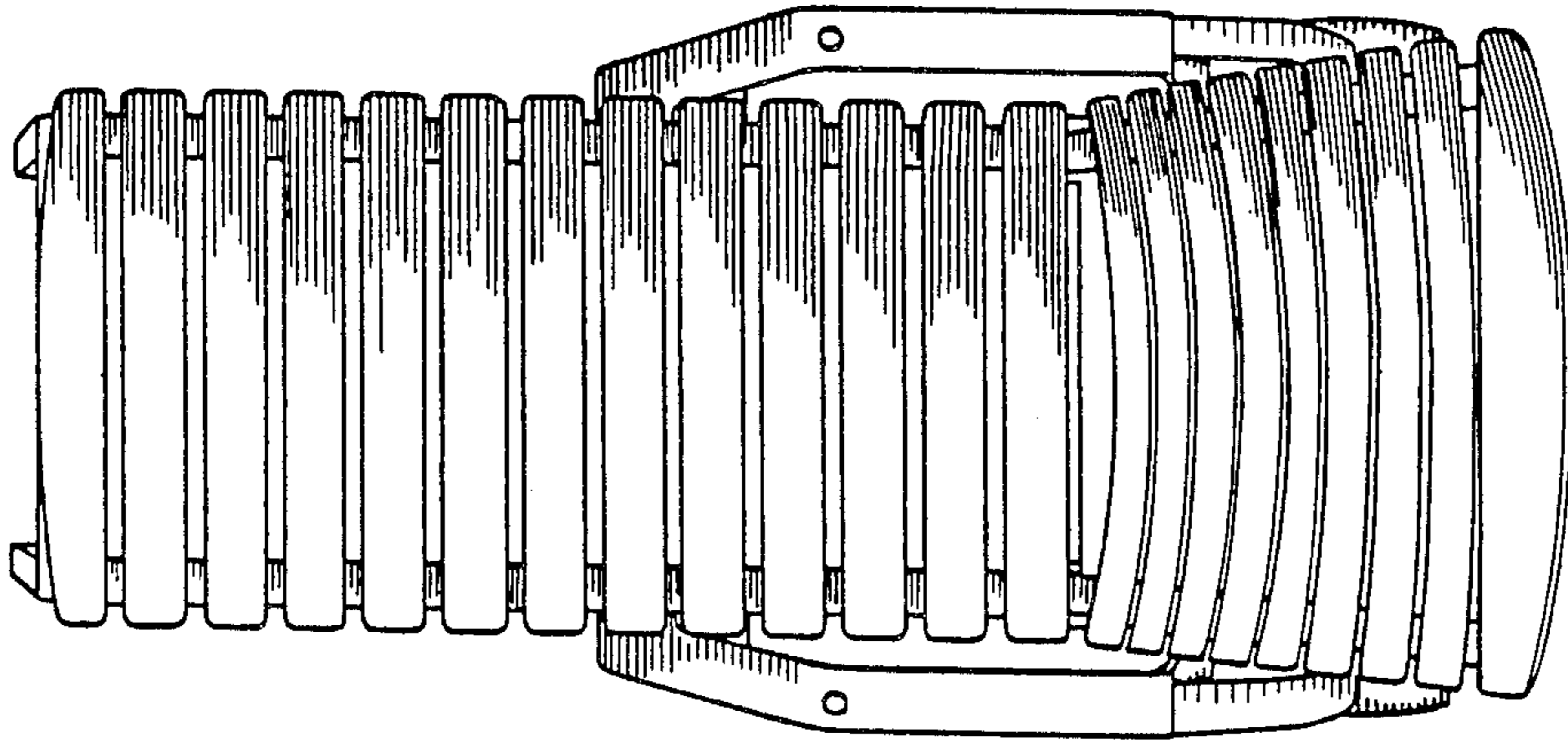


FIG. 2

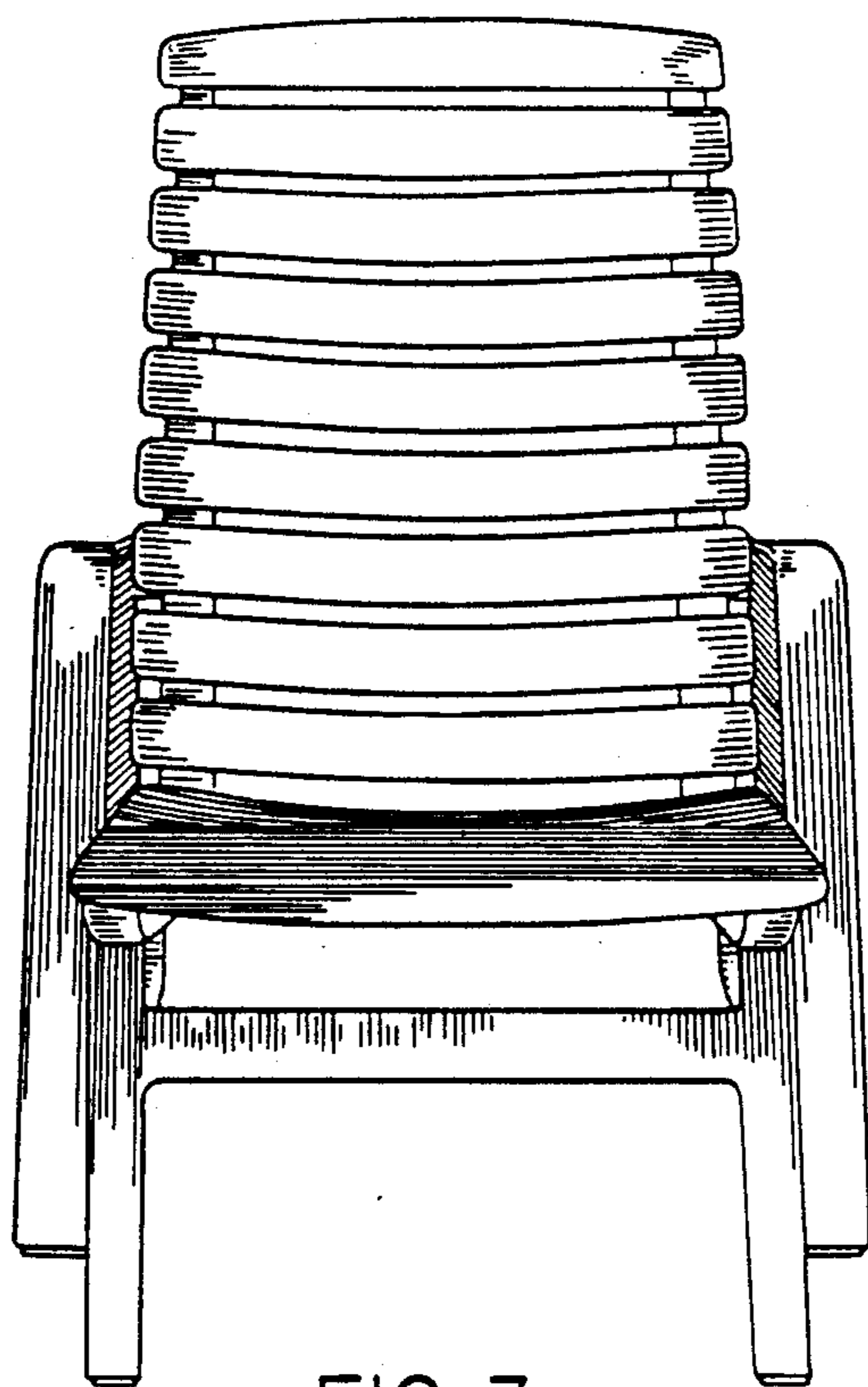


FIG. 3

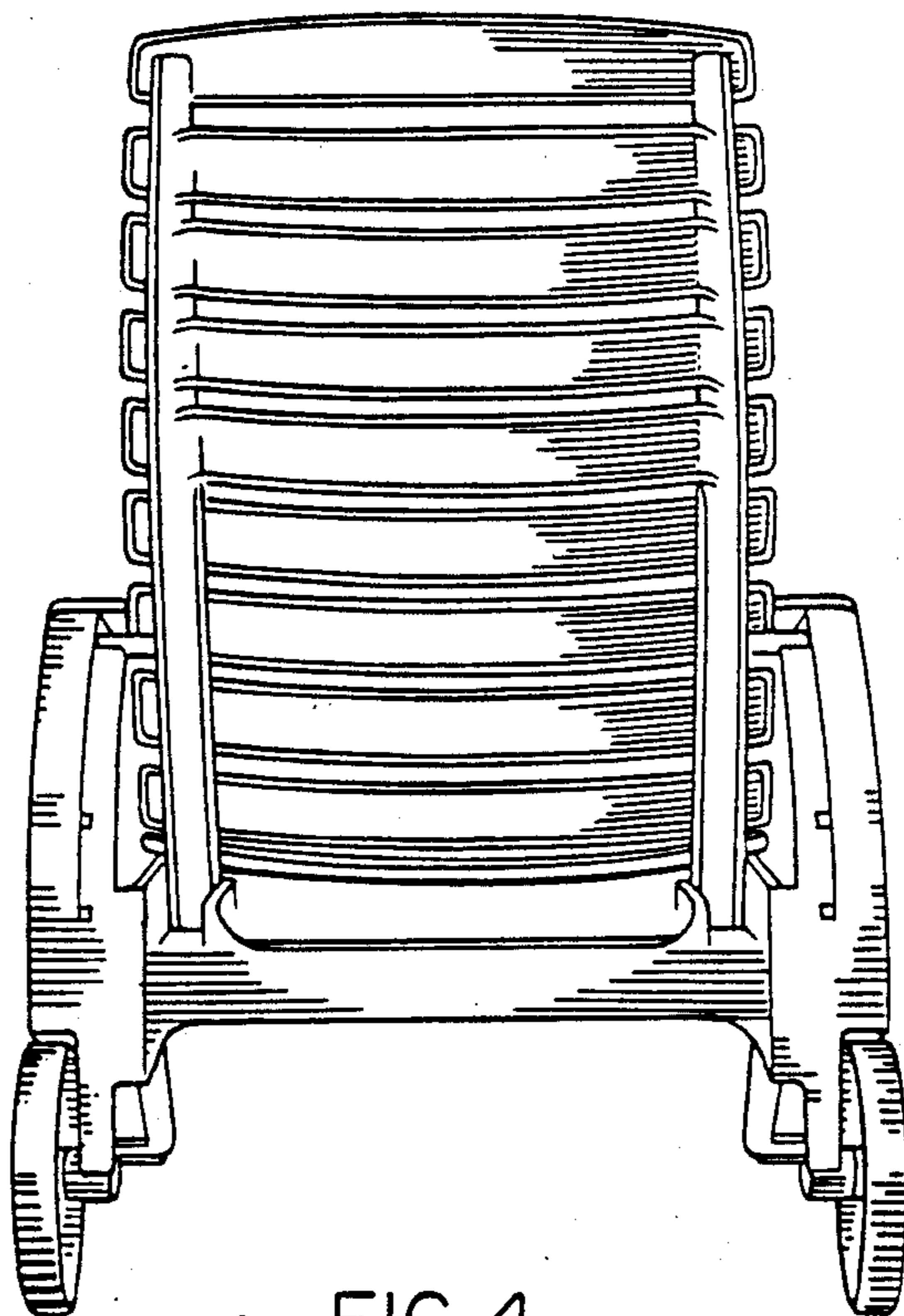


FIG. 4

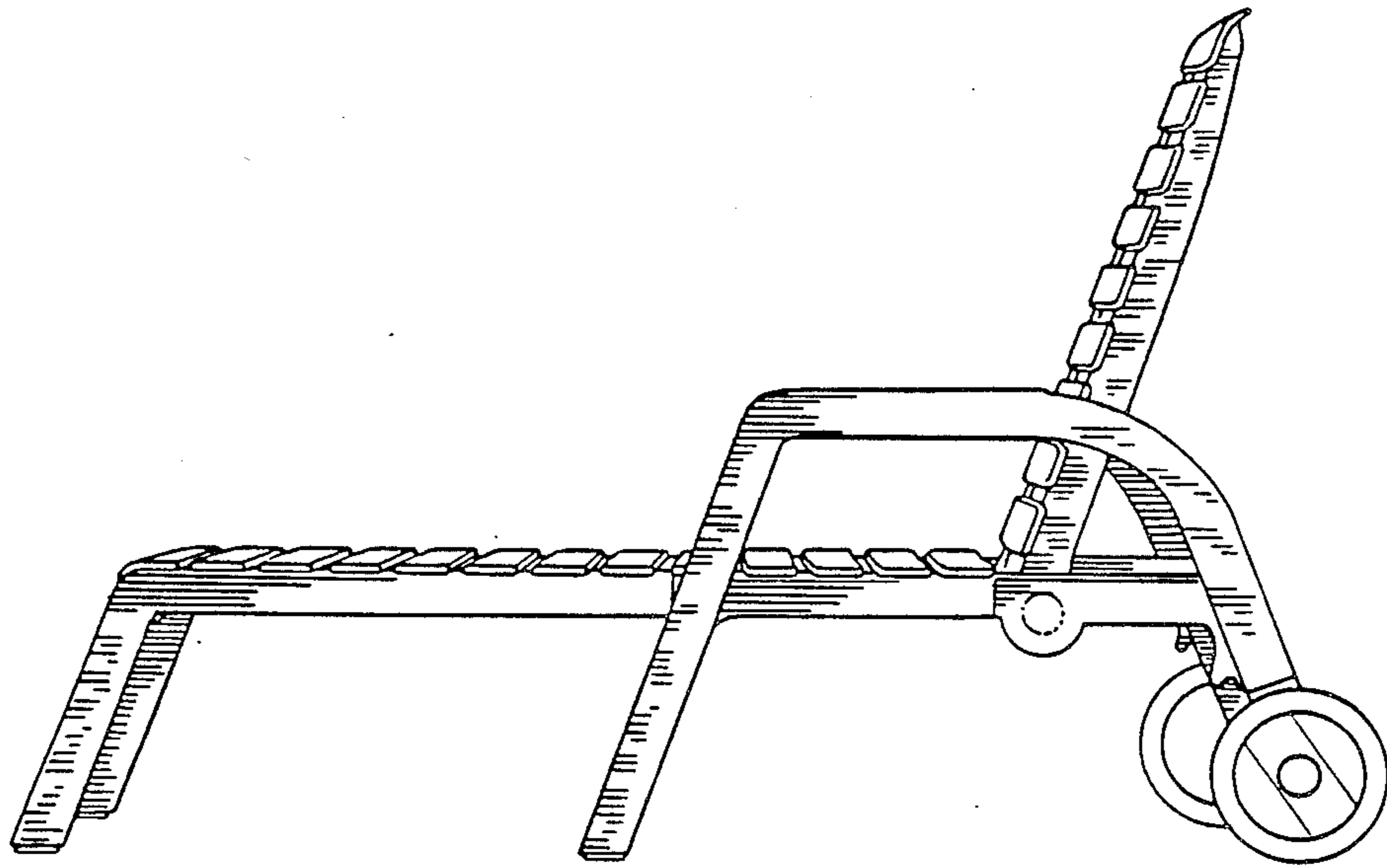


FIG. 5