

[54] POSTER FRAME CORNER

[76] Inventor: Roger A. Kazanowski, 1026 Monroe, Dearborn, Mich. 48124

[\*\*] Term: 14 Years

[21] Appl. No.: 738,858

[22] Filed: May 29, 1985

[52] U.S. Cl. .... D6/300

[58] Field of Search ..... D6/300-314; 40/152; 403/401, 402; 248/490, 475.1

[56] References Cited

U.S. PATENT DOCUMENTS

3,965,601 6/1976 Nielsen ..... 40/155  
4,547,986 10/1985 Sheeman ..... 403/401

Primary Examiner—Bernard Ansher  
Assistant Examiner—Terry Pfeffer  
Attorney, Agent, or Firm—Robert C. Brandenburg

[57] CLAIM

The ornamental design for a poster frame corner, as shown.

DESCRIPTION

FIG. 1 is a top perspective view of a poster frame corner showing my new design;  
FIG. 2 is a right side elevational view thereof;  
FIG. 3 is a left side elevational view thereof;  
FIG. 4 is a bottom perspective view thereof;  
FIG. 5 is a top plan view thereof; and  
FIG. 6 is a bottom plan view thereof.

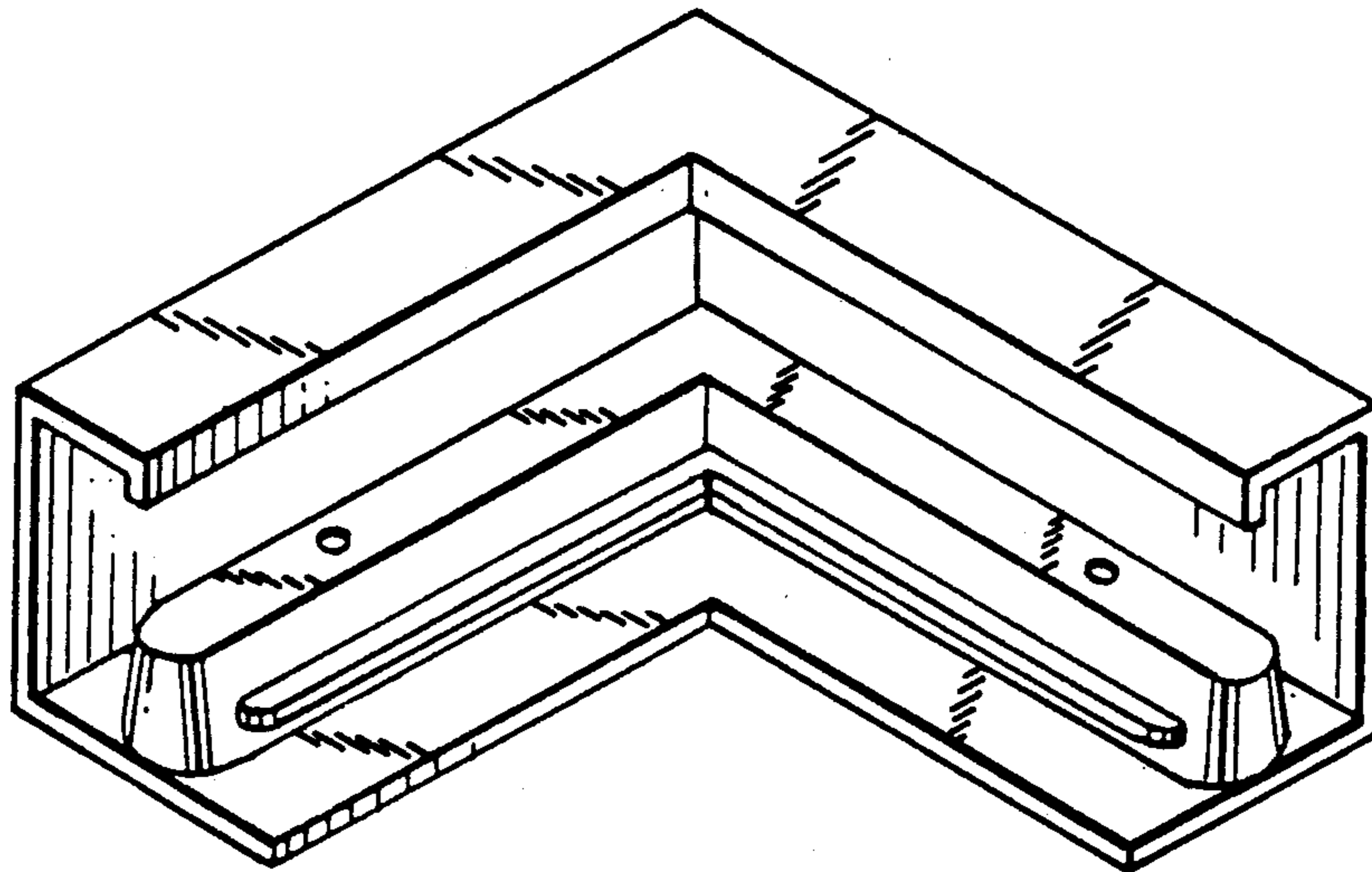


FIG. 1

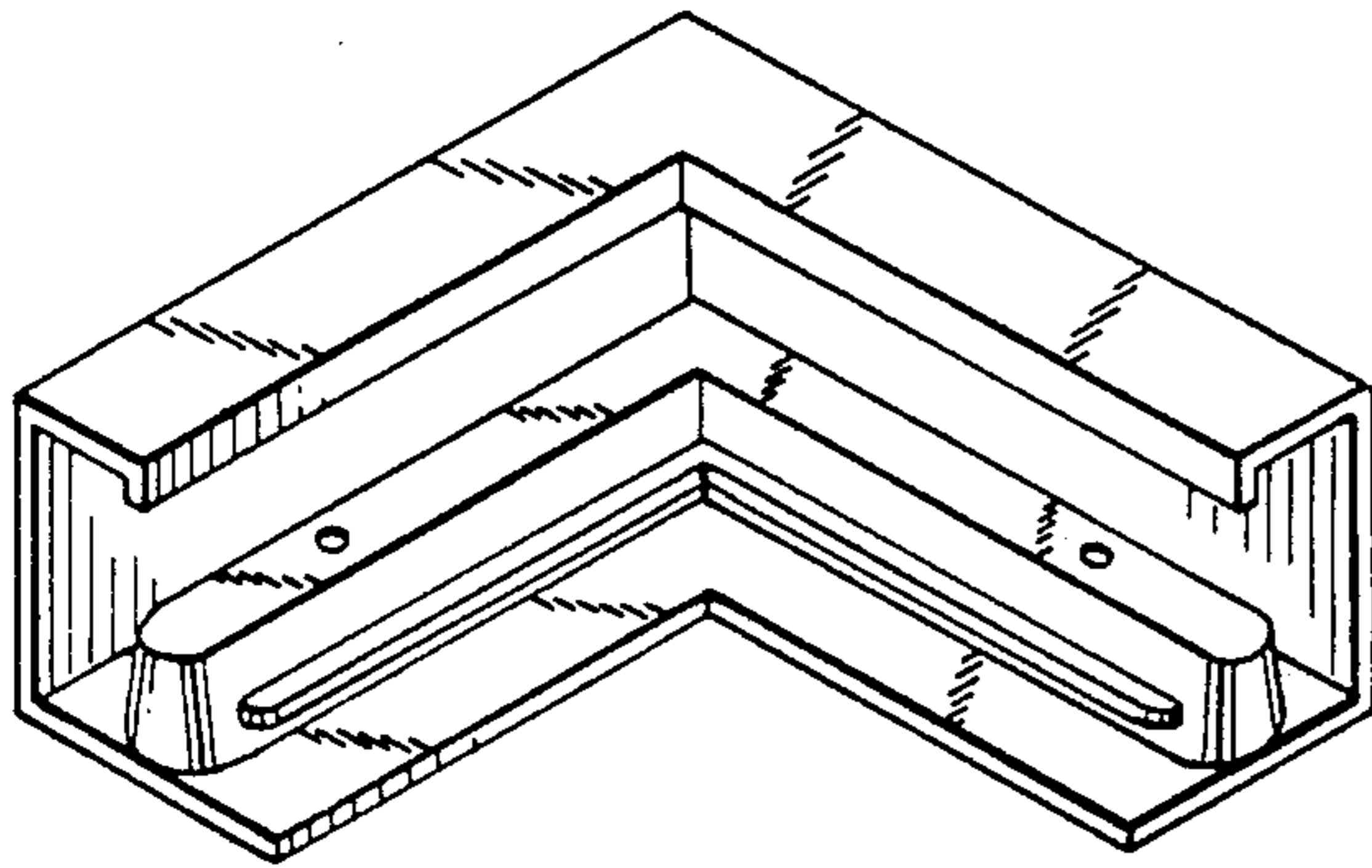


FIG. 2

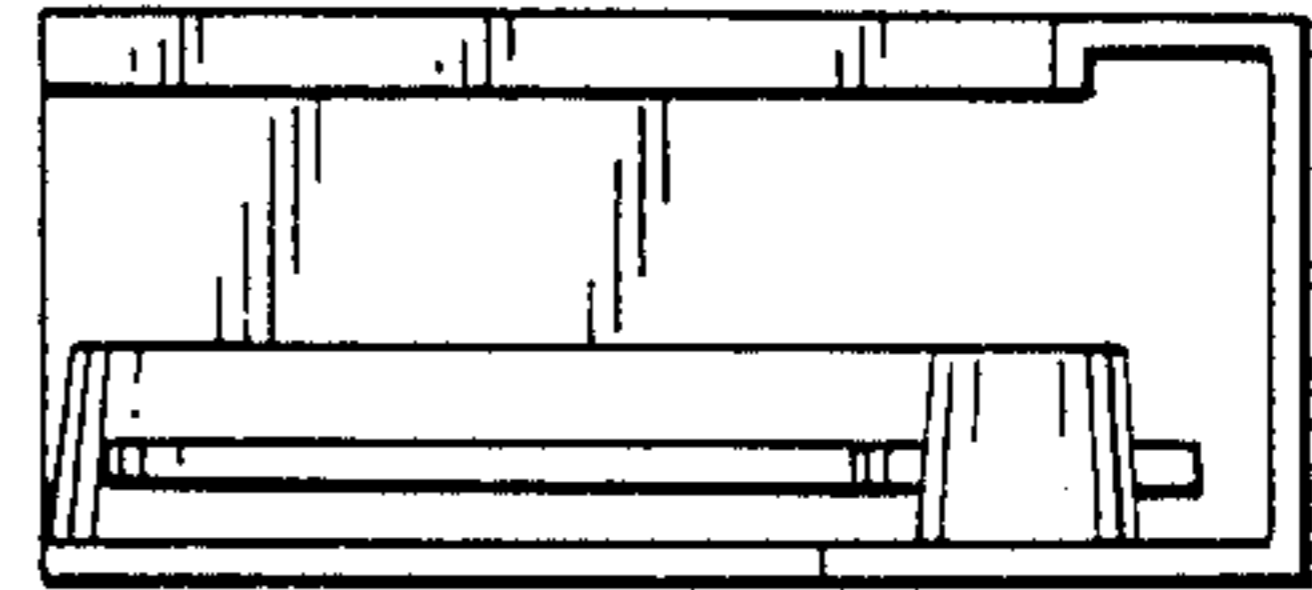


FIG. 4

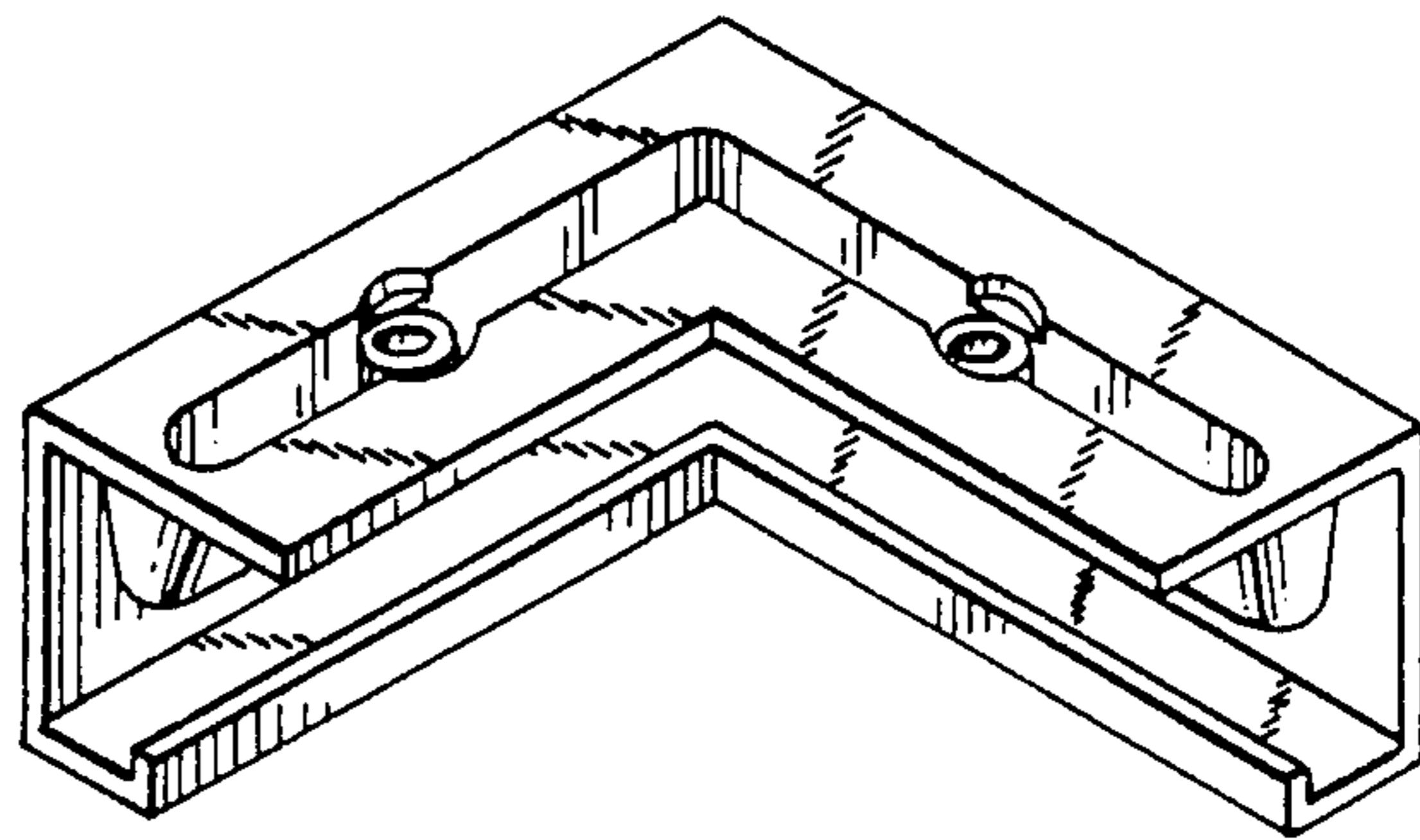


FIG. 3

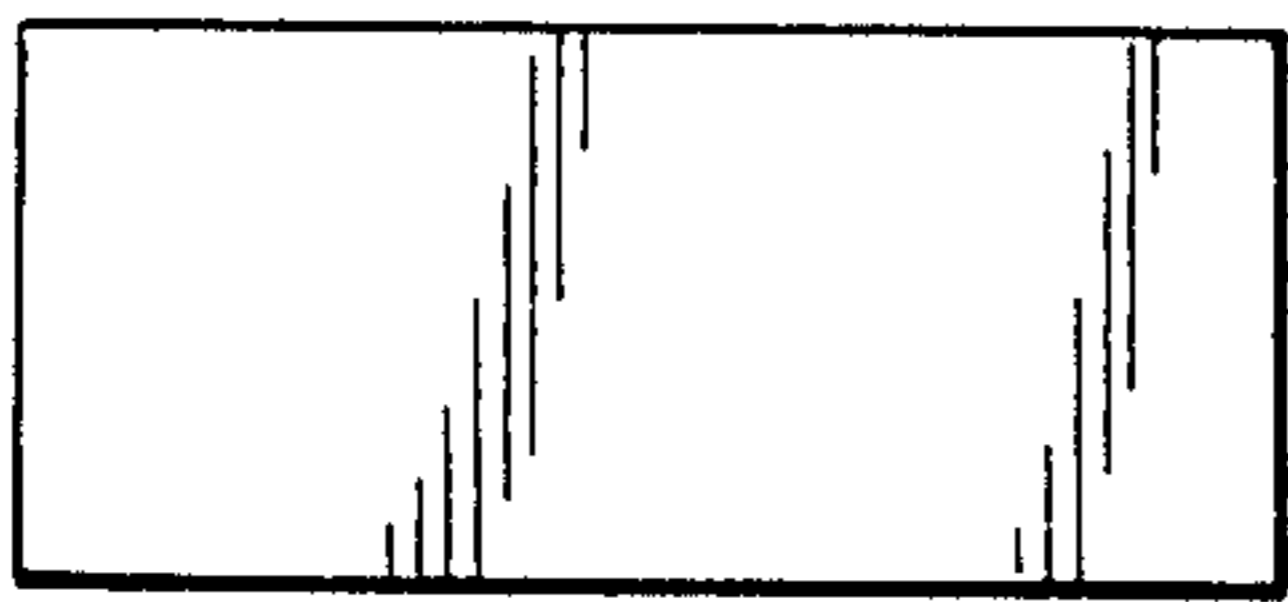


FIG. 6

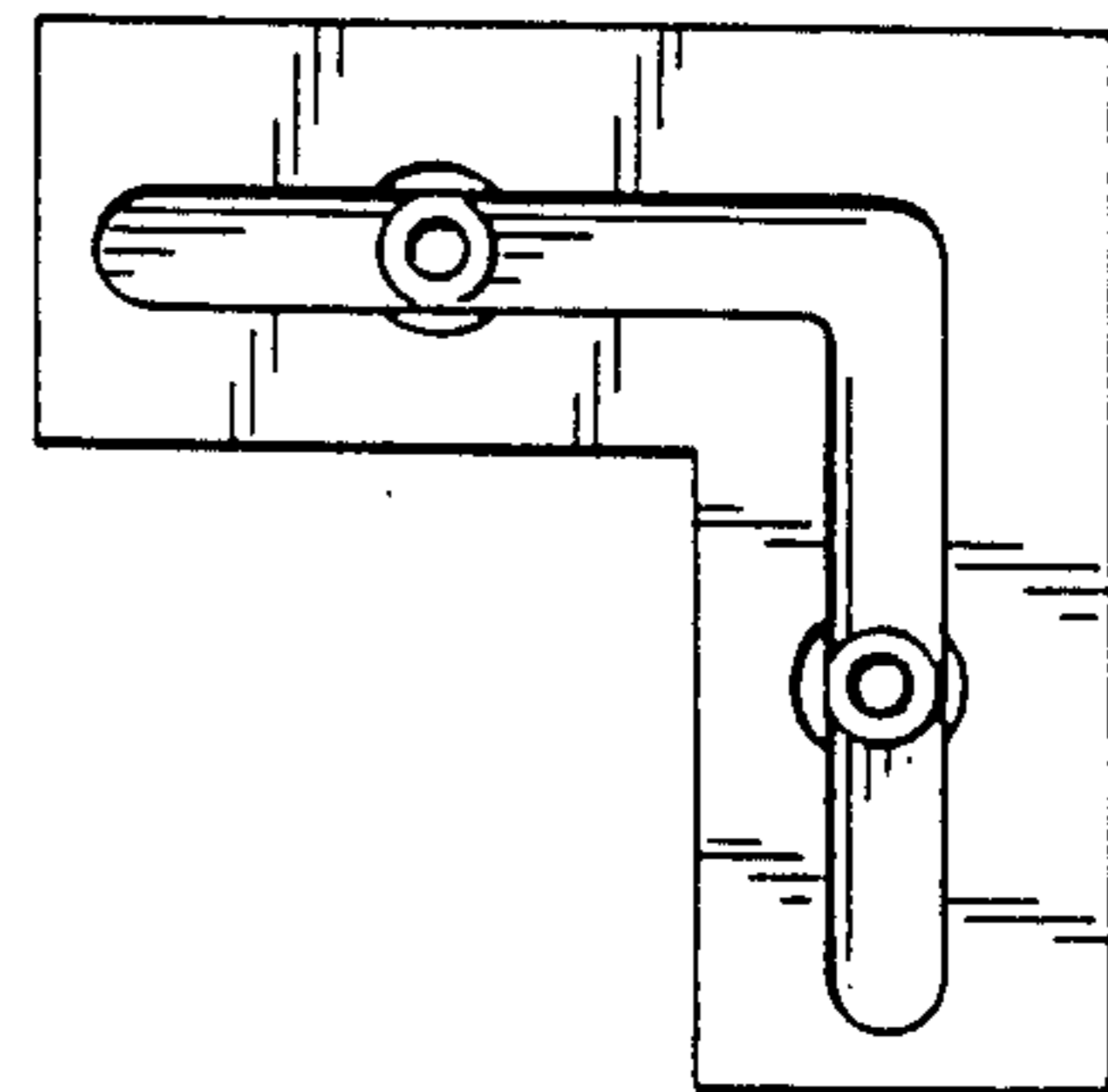


FIG. 5

