

[54] CONTACT LENS BRUSH
[76] Inventor: Sidney F. Young, 6333 N. 37th Ave.,
Phoenix, Ariz. 85019
[**] Term: 14 Years
[21] Appl. No.: 910,193
[22] Filed: Sep. 19, 1986
[52] U.S. Cl. D4/120
[58] Field of Search D4/103-138;
15/159 R, 160, 167 B, 106, 214

2,695,416 11/1954 Raimo 15/106
3,744,078 7/1973 Vallis 15/167
3,843,991 10/1974 Vallis 15/167

Primary Examiner—Catherine E. Kemper
Attorney, Agent, or Firm—Charles E. Cates

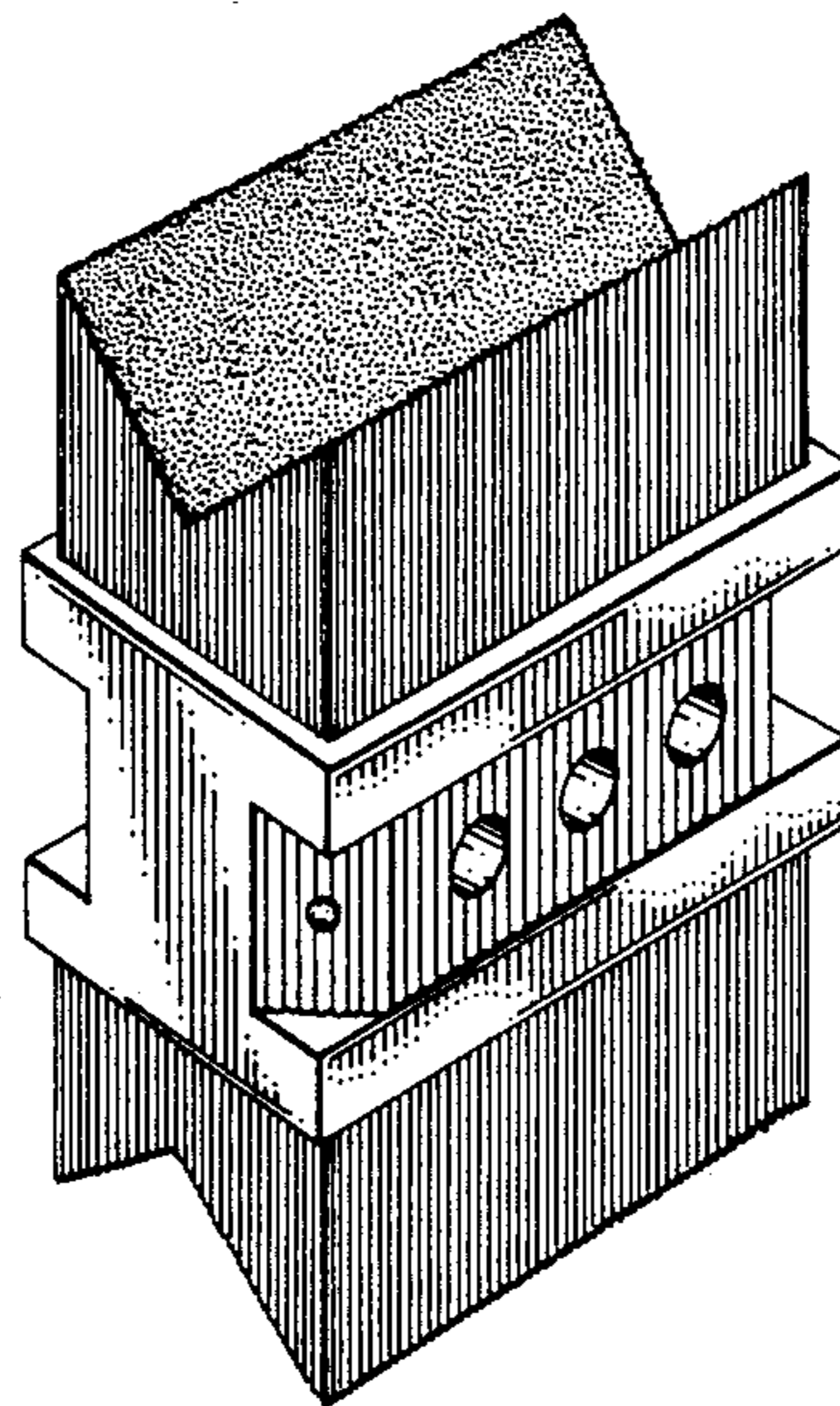
[57] CLAIM

The ornamental design for contact lens brush, as shown and described.

DESCRIPTION

FIG. 1 is a perspective view of a contact lens brush, showing my new design;
FIG. 2 is a left side elevational view thereof;
FIG. 3 is a right side elevational view thereof;
FIG. 4 is an end elevational view thereof;
FIG. 5 is an elevational view of the opposite end thereof;
FIG. 6 is a bottom plan view thereof;
FIG. 7 is a top plan view thereof.

[56] References Cited
U.S. PATENT DOCUMENTS
D. 153,413 4/1949 Baumgartner D4/130
D. 285,627 9/1986 Ballard D4/120
1,924,337 8/1933 Troupa 15/188
2,186,005 1/1940 Casto 15/167
2,206,542 7/1940 Arnold 15/106
2,464,321 3/1949 Konczal 15/167



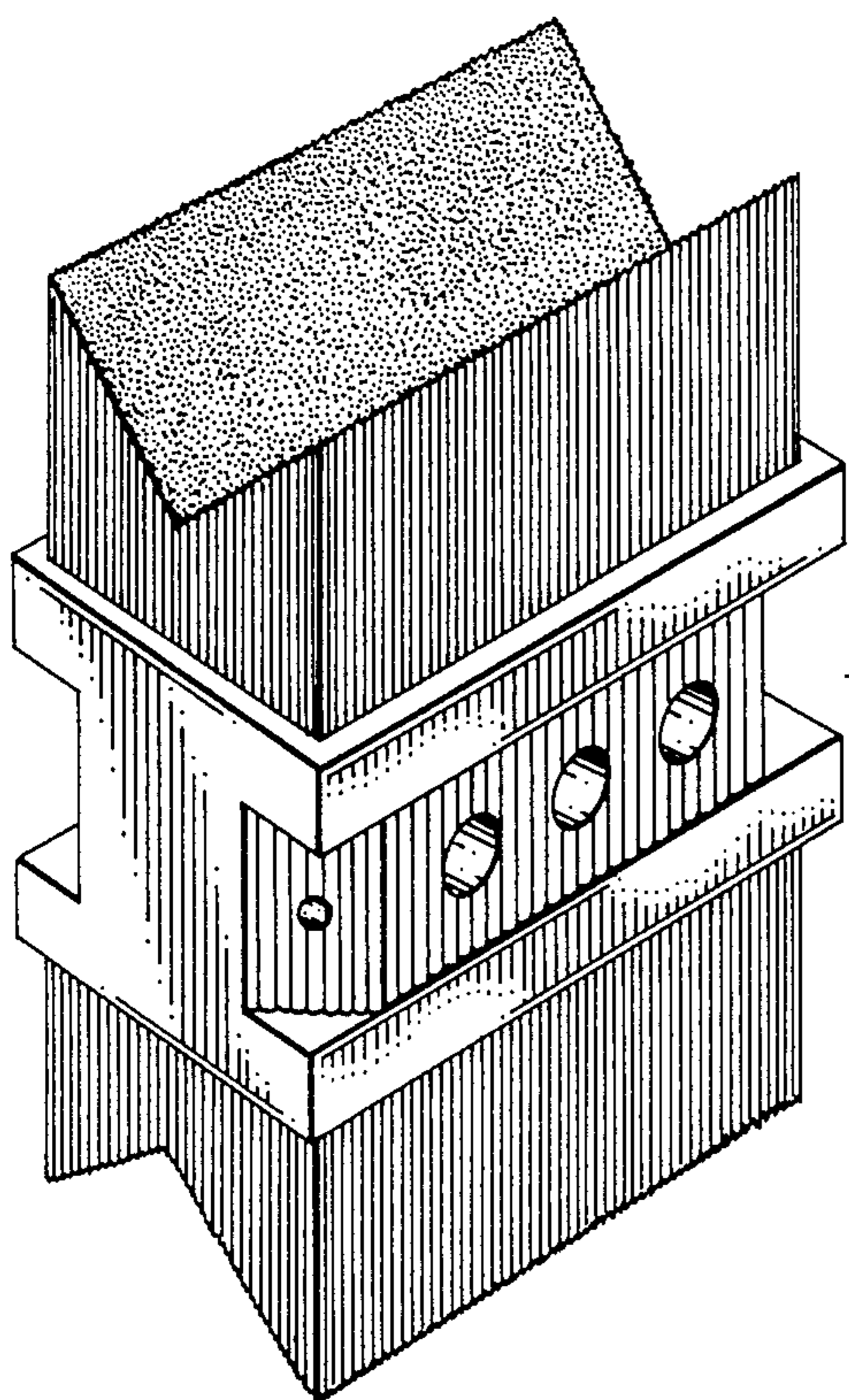


FIG. 1

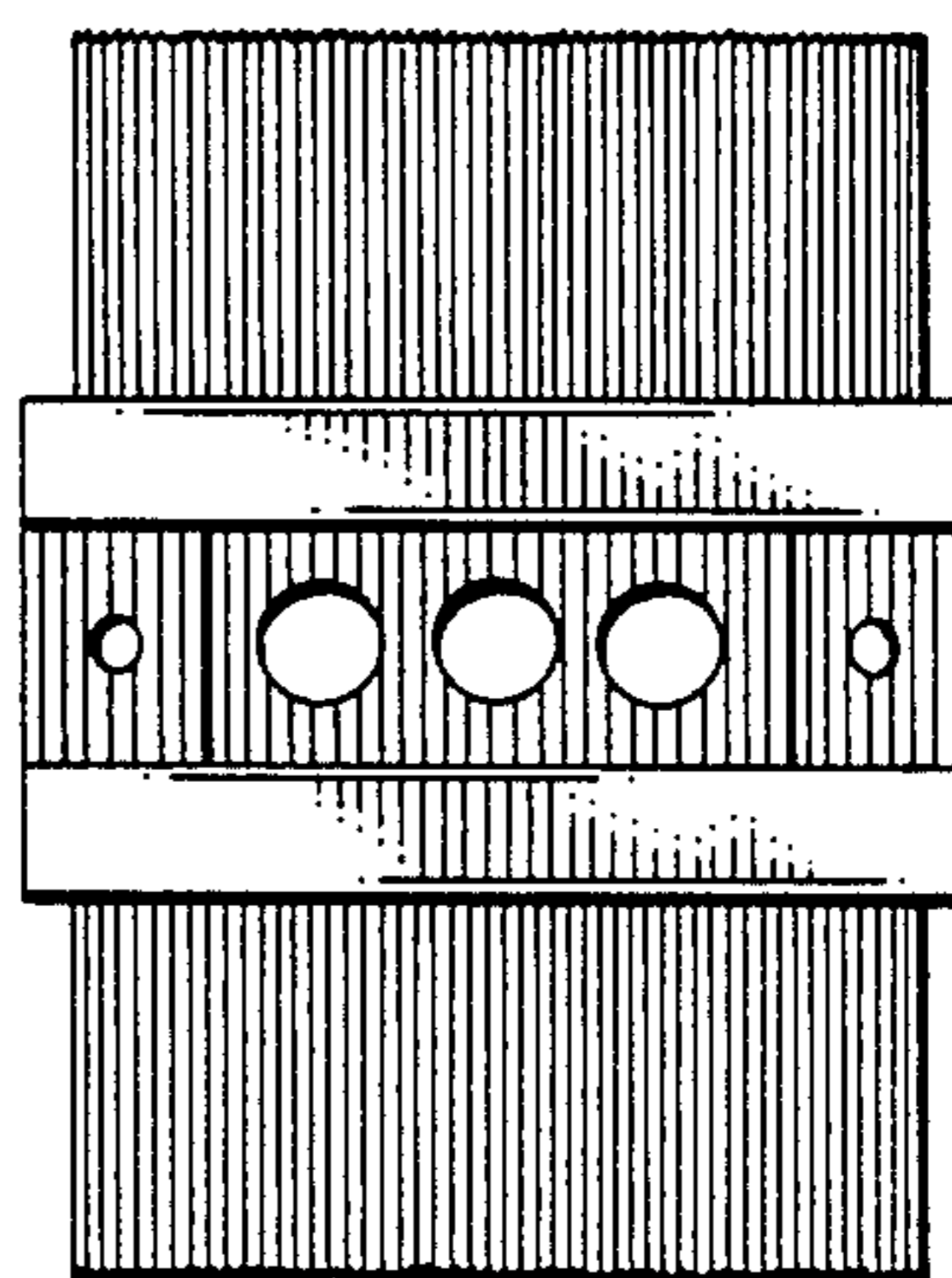


FIG. 2

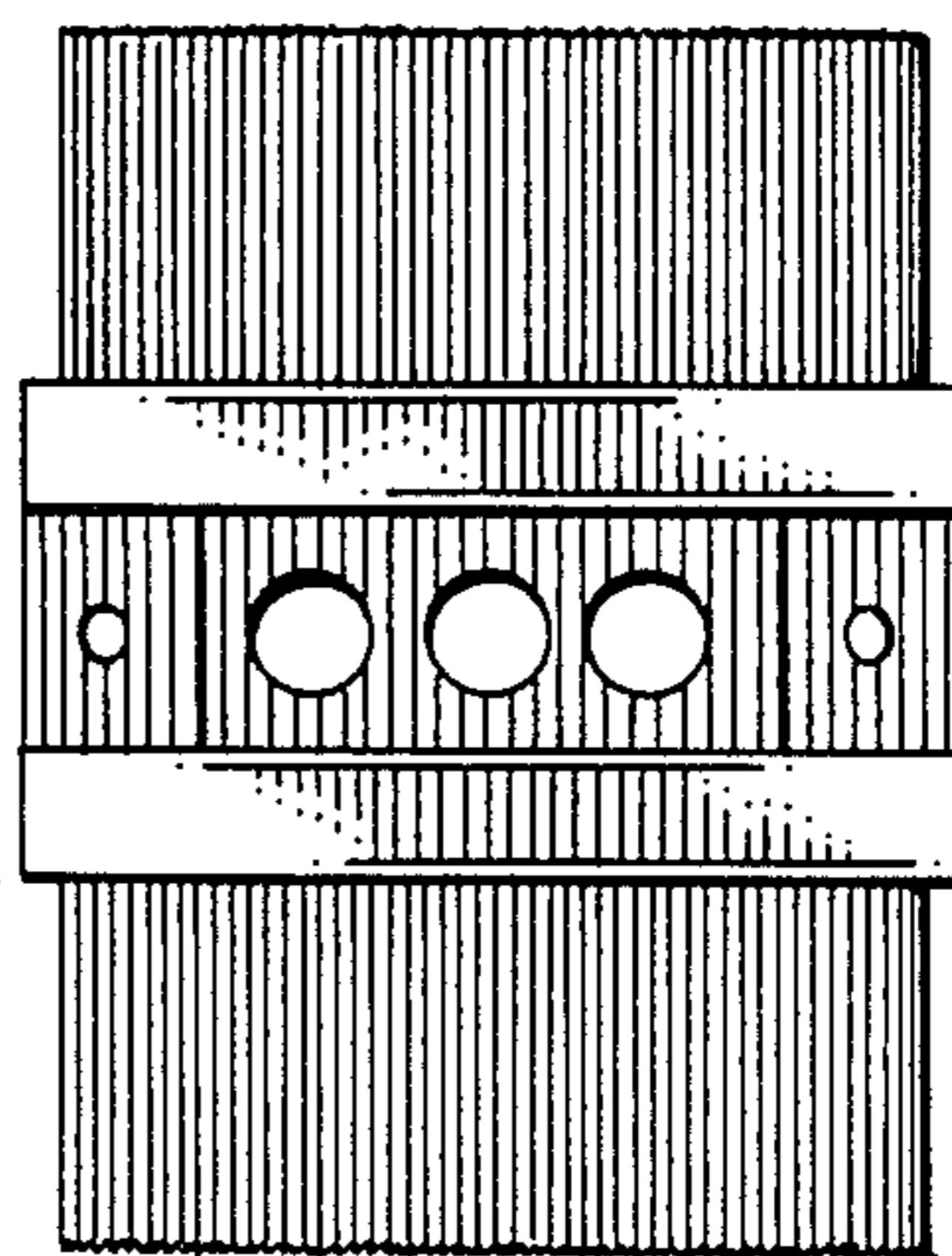


FIG. 3

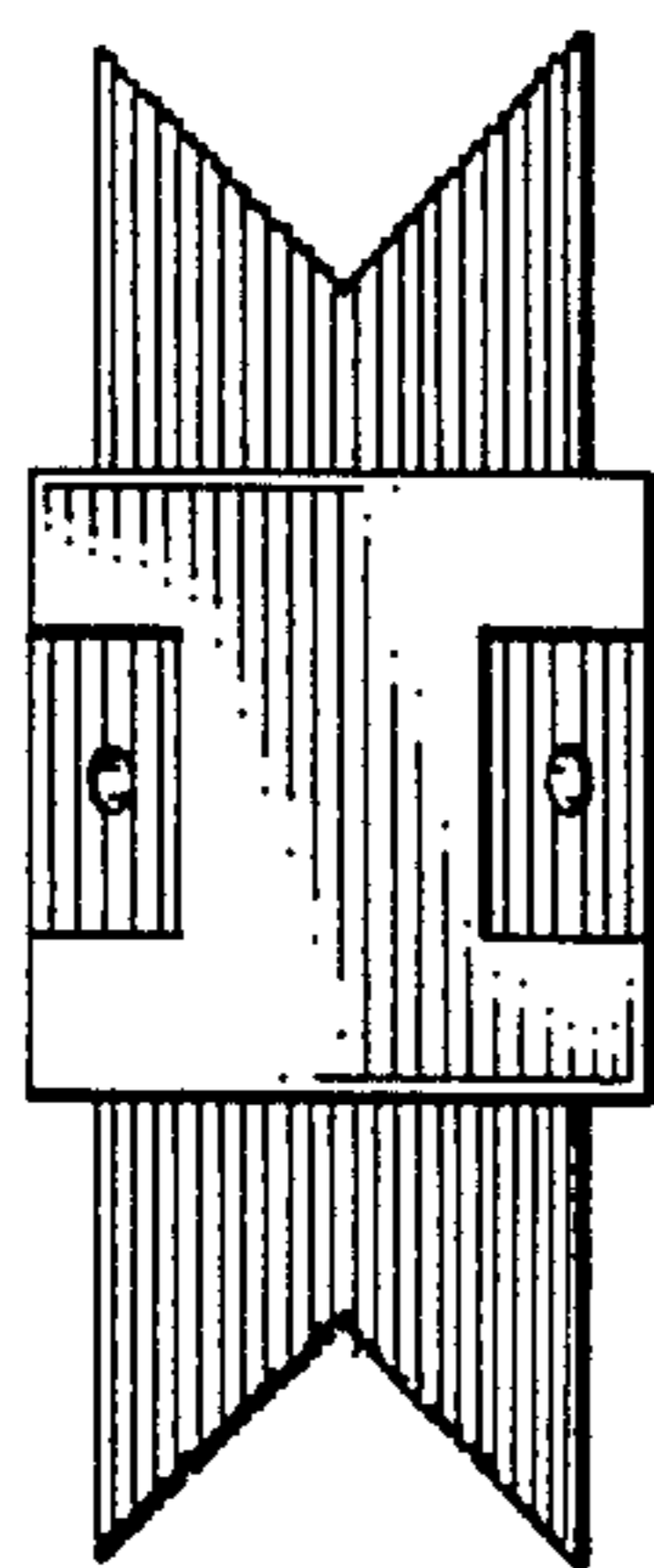


FIG. 4

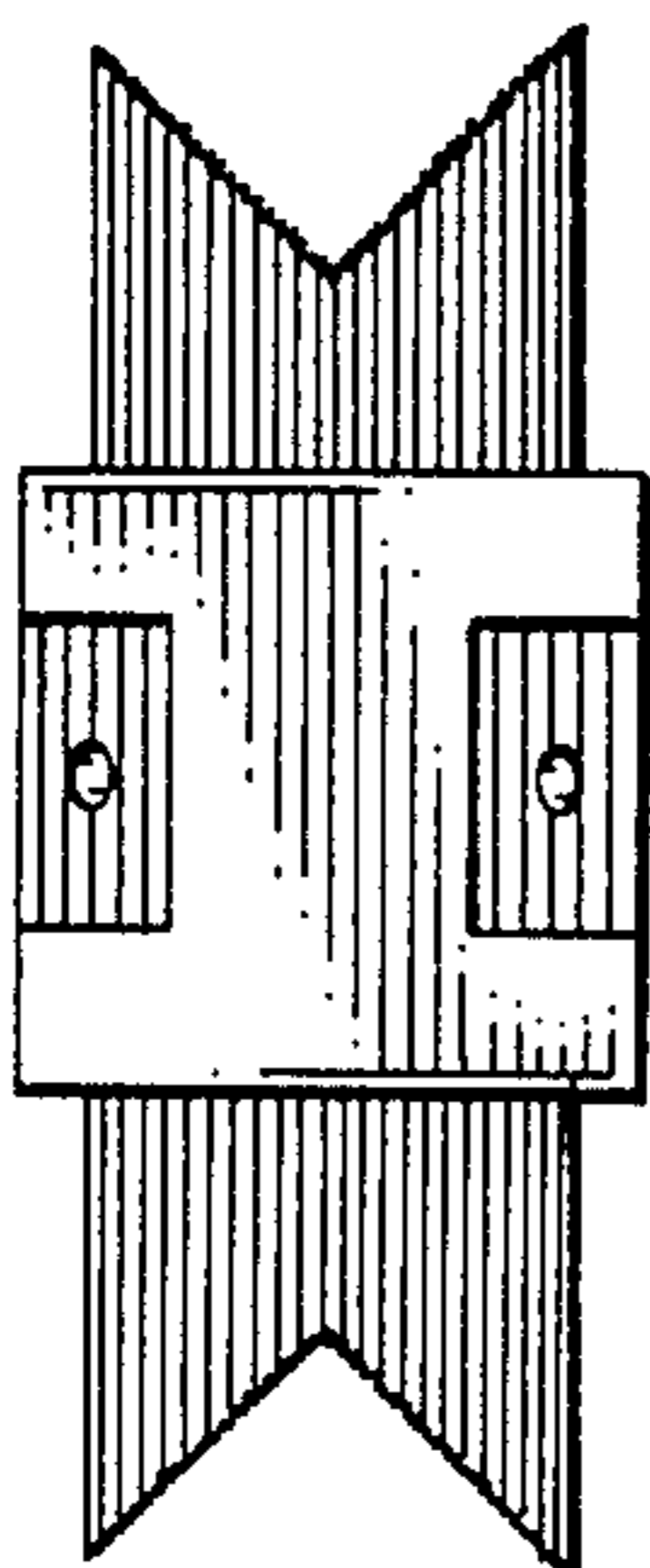


FIG. 5

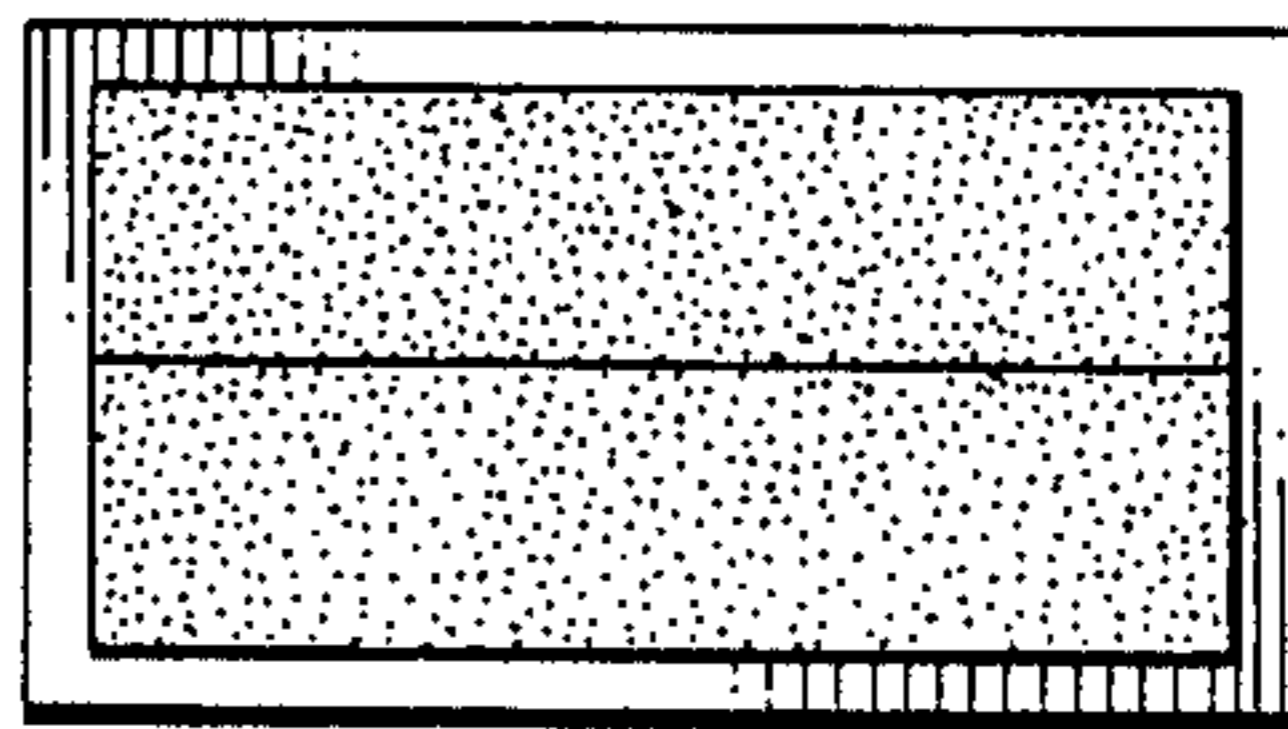


FIG. 6

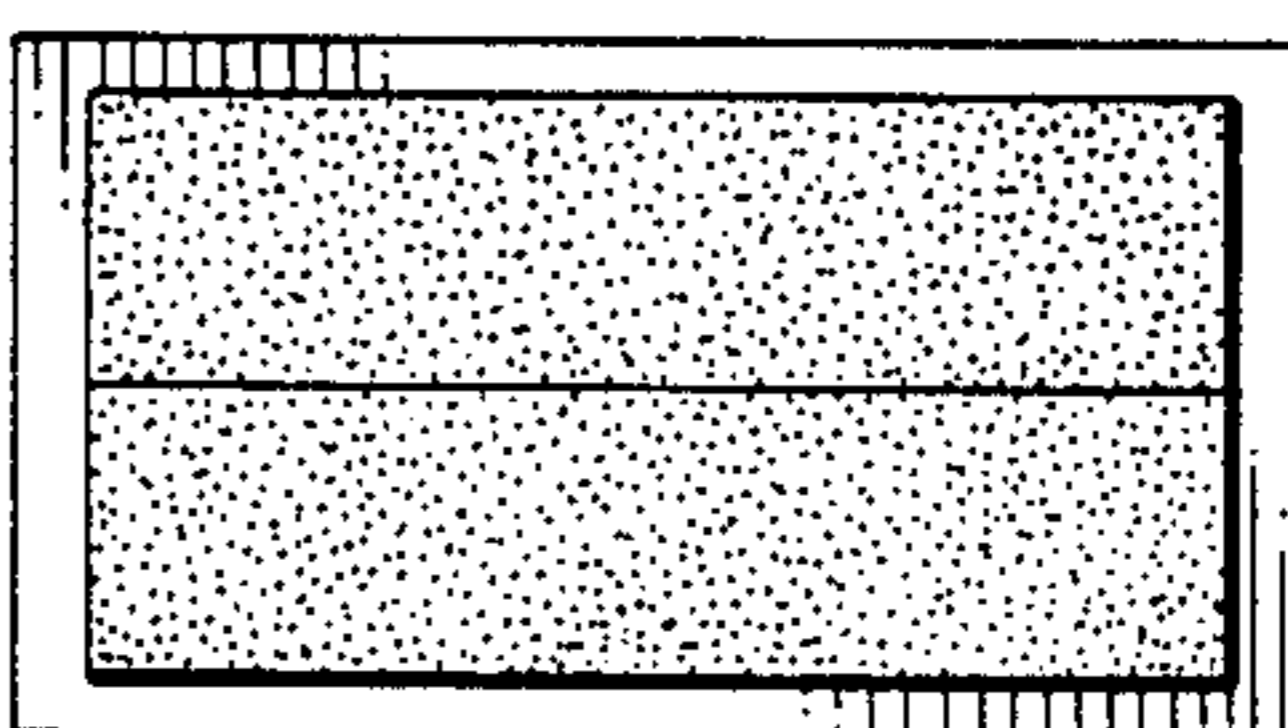


FIG. 7