

[54] ATTACHE CASE

[56] References Cited

[75] Inventor: Hyun S. Kim, Newcastle, Pa.

U.S. PATENT DOCUMENTS

- D. 284,137 6/1986 Kim D3/76
- D. 284,140 6/1986 Kim D3/76
- 3,921,768 11/1975 Gorky D3/76

[73] Assignee: Airway Industries, Inc., Ellwood City, Pa.

Primary Examiner—Charles A. Rademaker
Attorney, Agent, or Firm—Walter J. Blenko, Jr.

[*] Notice: The portion of the term of this patent subsequent to Jun. 10, 2000 has been disclaimed.

[57] CLAIM

The ornamental design for an attache case, as shown and described.

[**] Term: 14 Years

DESCRIPTION

[21] Appl. No.: 731,940

FIG. 1 is a front elevational view of an attache case showing my new design, the hardware shown in dotted lines being for illustrative purposes only and not a part of the claimed design;

FIG. 2 is a rear elevational view thereof;

FIG. 3 is a top plan view thereof;

FIG. 4 is a bottom plan view thereof;

FIG. 5 is a left side elevational view thereof;

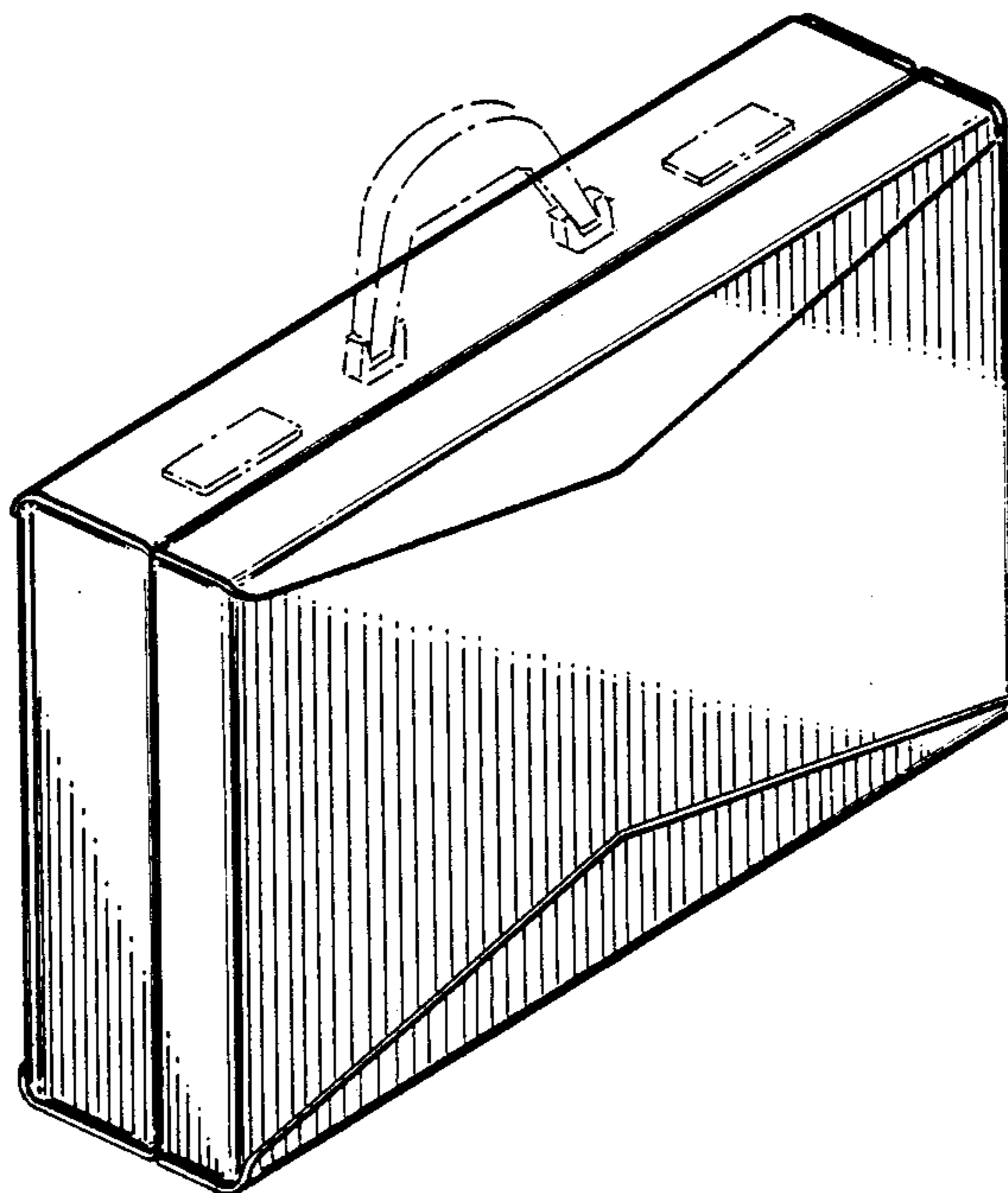
FIG. 6 is a right side elevational view thereof; and,

FIG. 7 is a perspective view thereof.

[22] Filed: May 8, 1985

[52] U.S. Cl. D3/76

[58] Field of Search D3/30.1, 33, 35, 42, D3/72, 76, 77; 190/100, 103, 109, 124-127



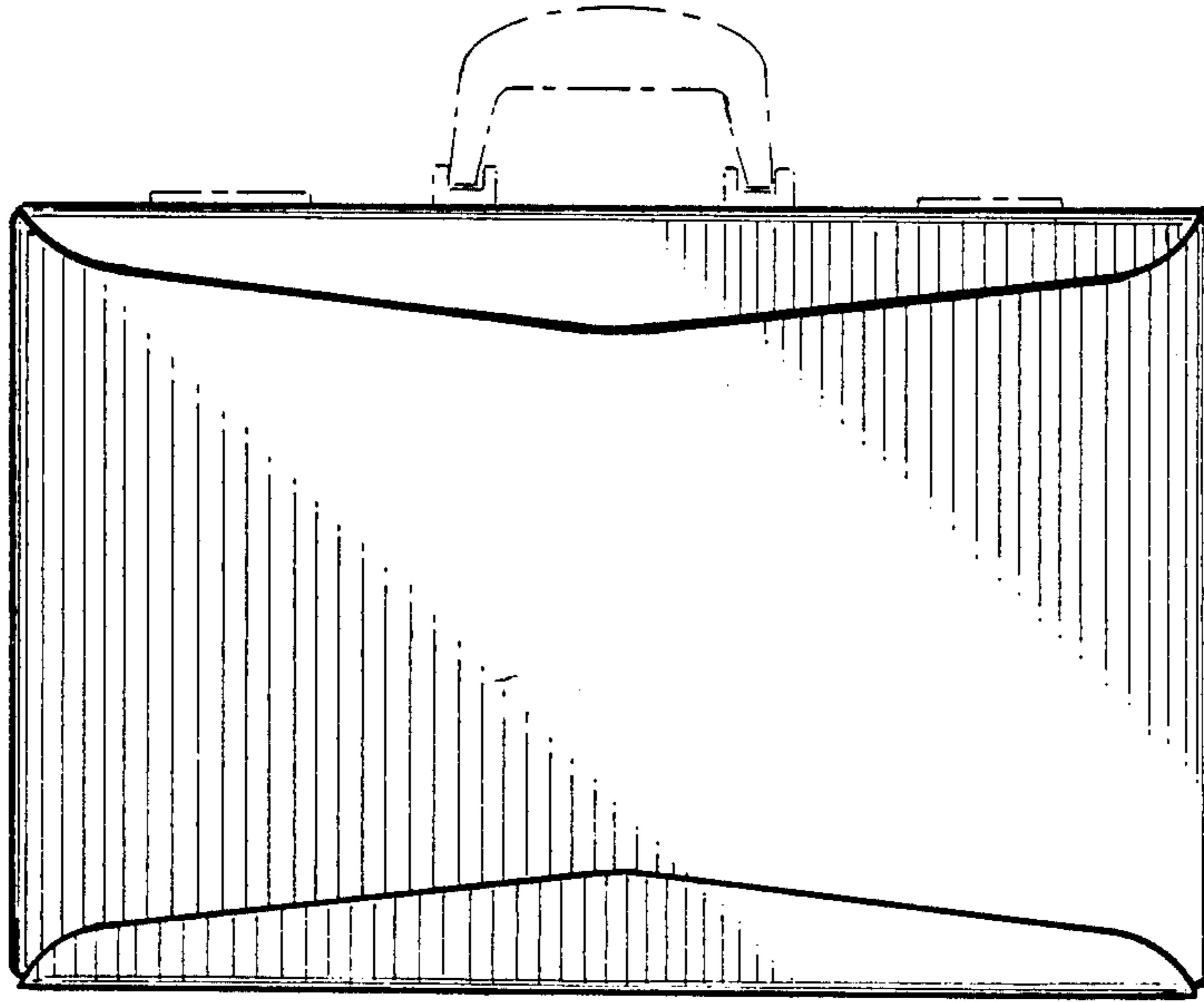


FIG. 1

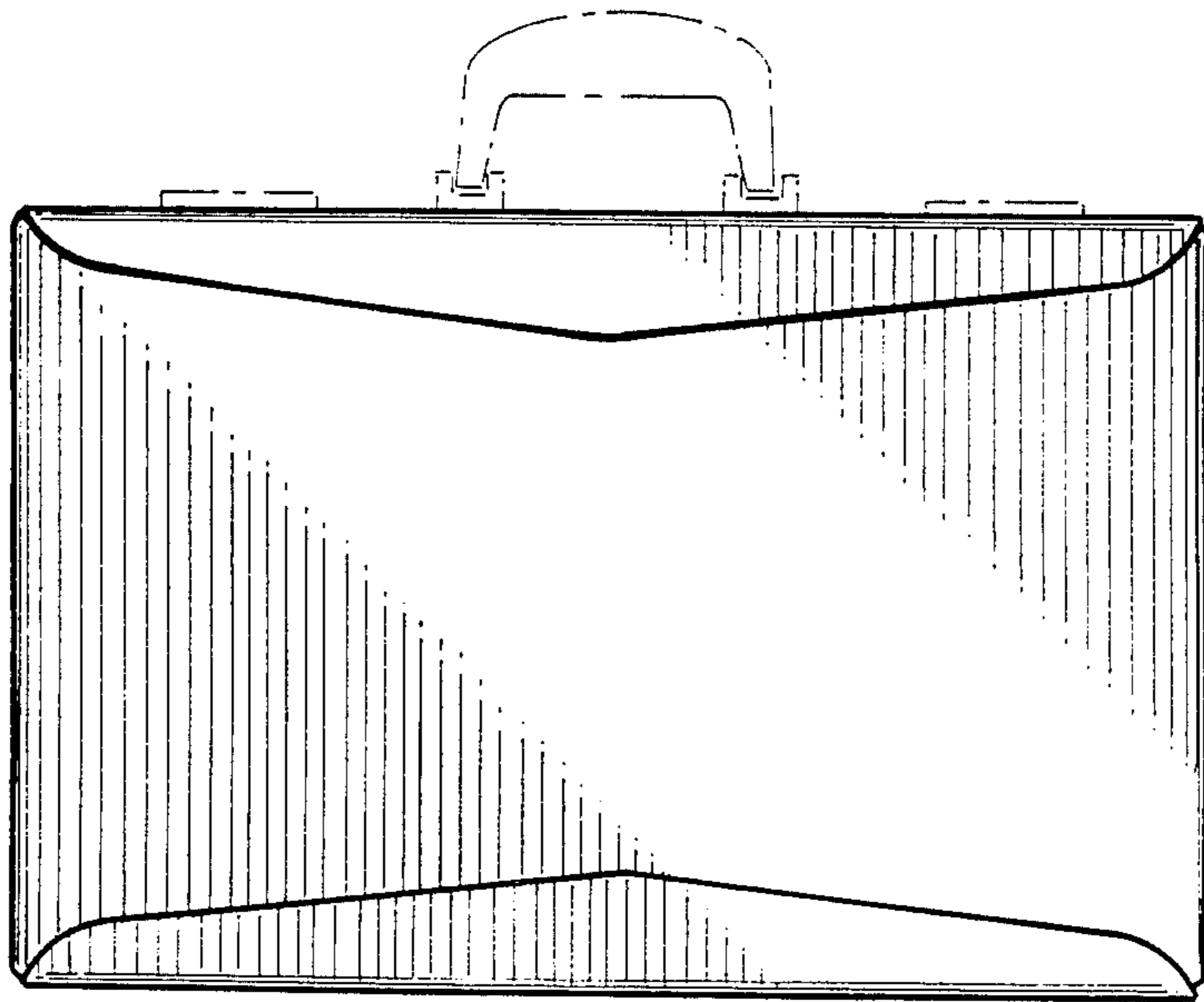


FIG. 2

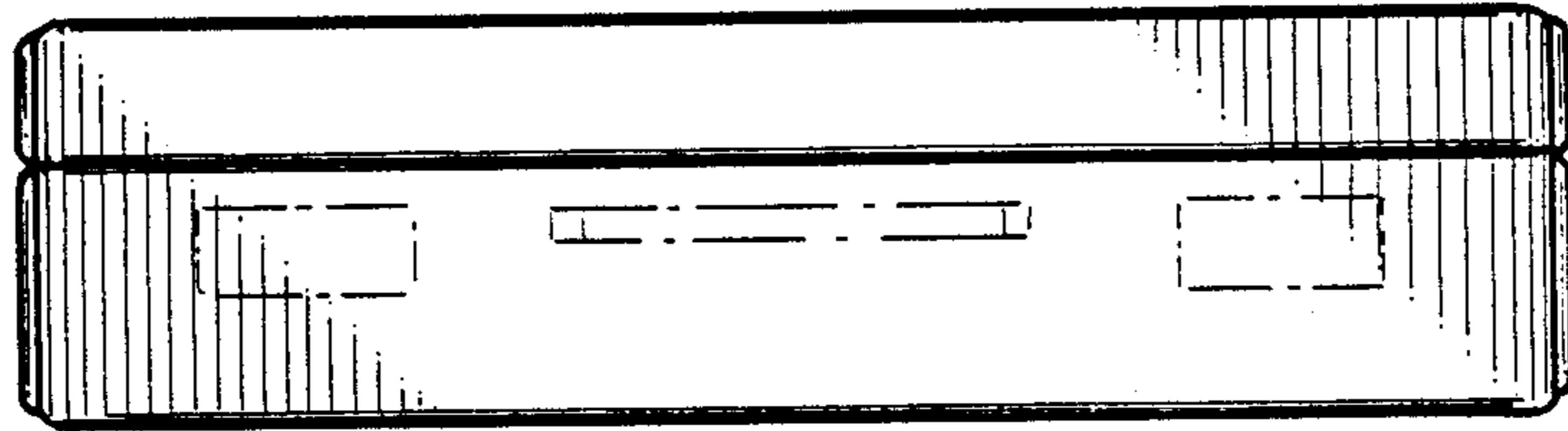


FIG. 3

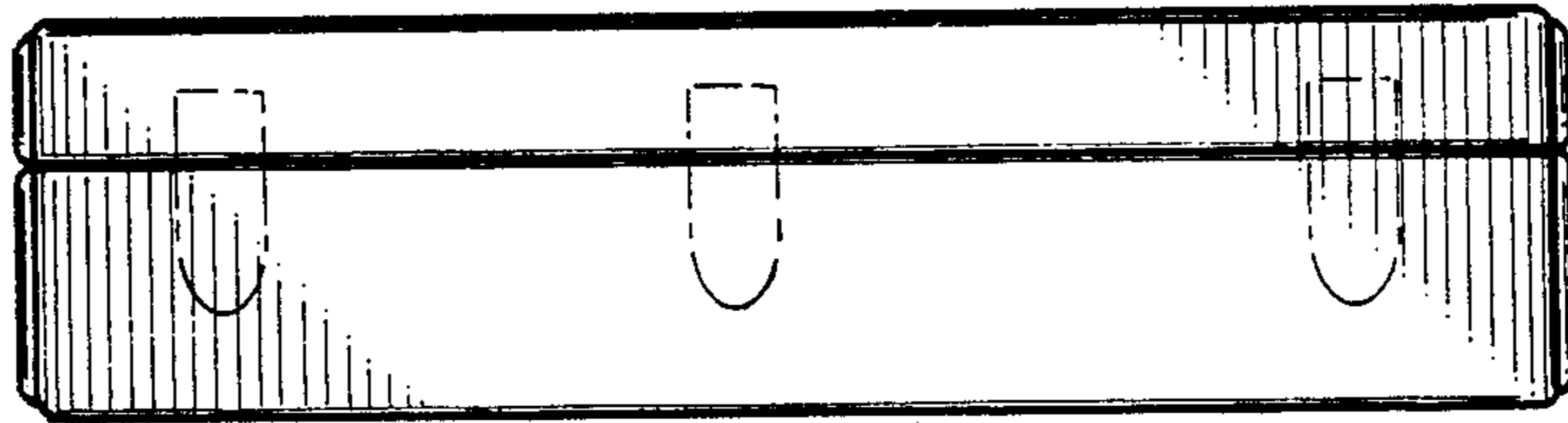


FIG. 4

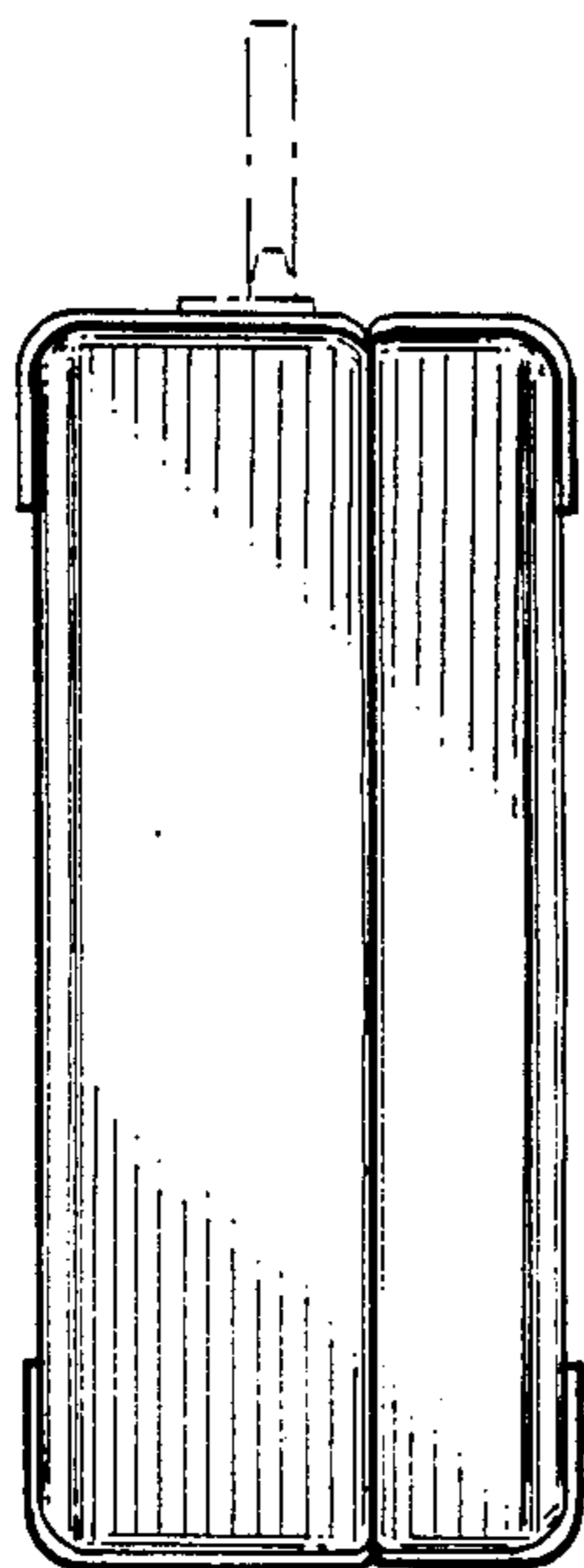


FIG. 5

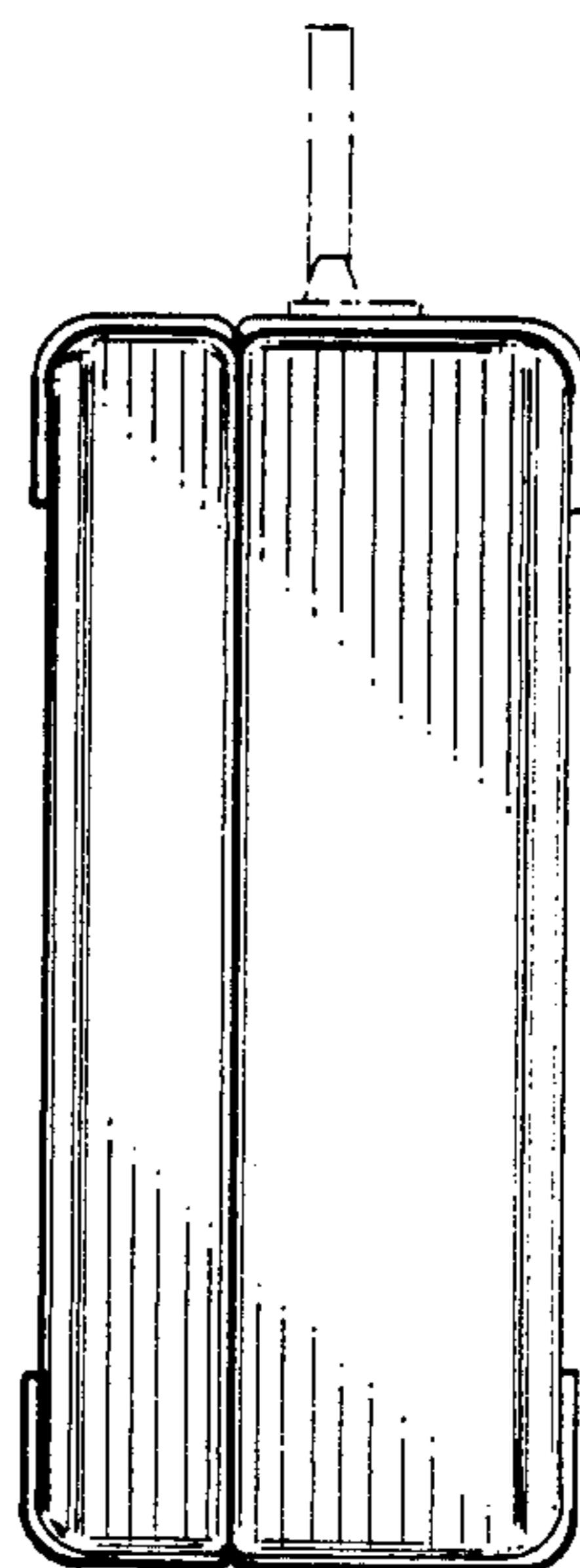


FIG. 6

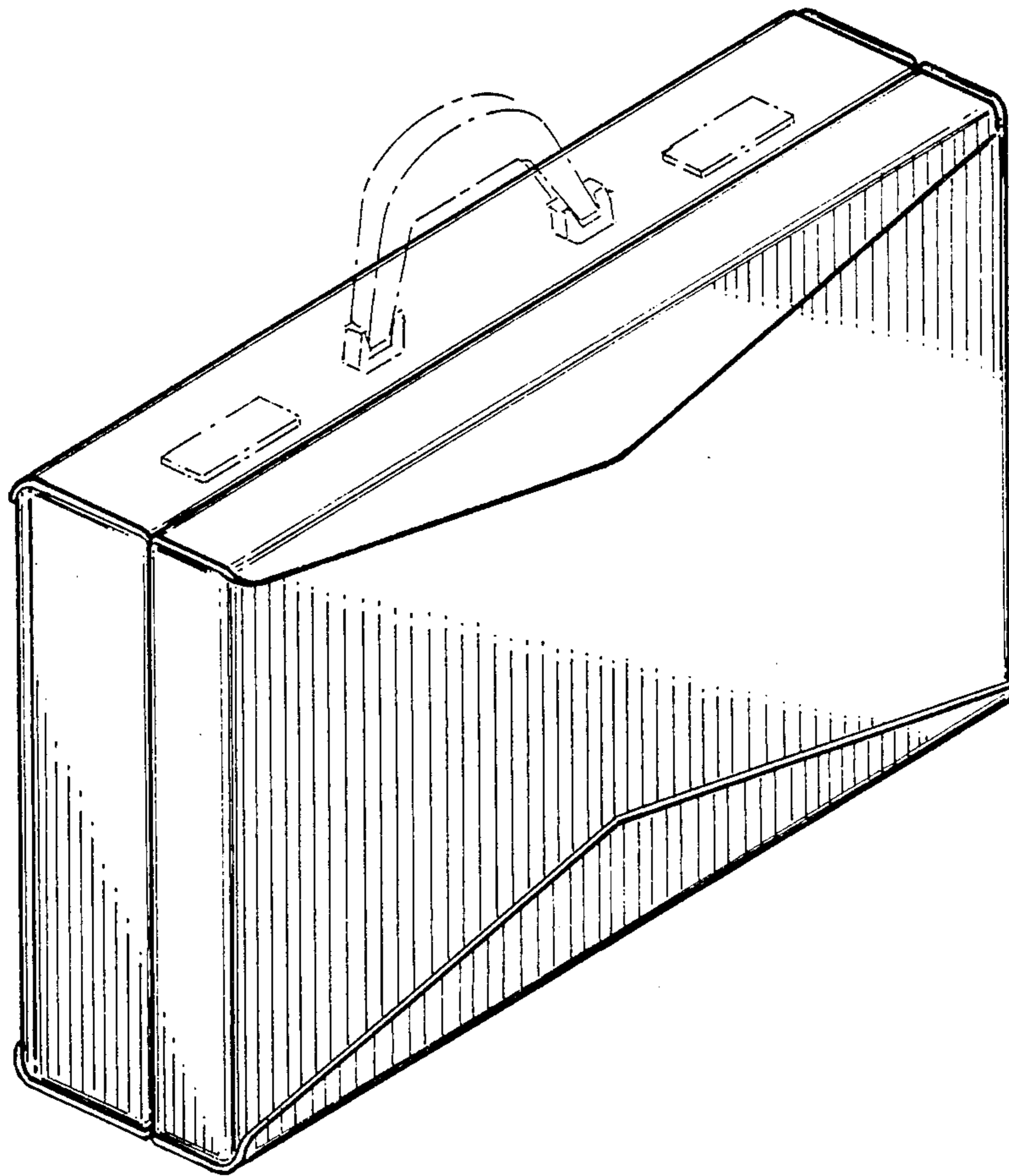


FIG. 7