

[54] INDUSTRIAL LUMINAIRE

[76] Inventors: Robert L. Ewing, 1440 Twin Pines Ct., Newark, Ohio 43055; James S. Hughes, 48 E. Pacemont Rd.; William H. Faust, 150 W. Maynard Ave., both of Columbus, Ohio 43202

[**] Term: 14 Years

[21] Appl. No.: 711,411

[22] Filed: Mar. 13, 1985

[52] U.S. Cl. D26/85

[58] Field of Search D26/72, 80-92, D26/68-71; 362/404, 405, 406, 408, 362, 363, 307, 311, 431

[56] References Cited

U.S. PATENT DOCUMENTS

D. 220,207	3/1971	Edman et al.	D26/67
D. 222,103	9/1971	Anderson, Jr.	D26/85
4,198,022	4/1980	Pletcher et al.	362/431 X
4,425,609	1/1984	Grindle	362/362 X

OTHER PUBLICATIONS

Light & Lighting, 3-1972, p. 16, item 25, Industrial Lighting Fixture.

Sweet's Catalog file ©1984, sec. 16.6/Hub, Hubbell Energy-Saving Luminaires catalog, p. 3, #6 LV Series Fixture.

Killark Mfg. Co. V.M. Series Fixtures catalog, ©1980, p. 17, Metal Halide Fixture, top left.

Primary Examiner—Susan J. Lucas

Attorney, Agent, or Firm—John D. Lister; Cornelius P. Quinn

[57] CLAIM

The ornamental design for an industrial luminaire, as shown and described.

DESCRIPTION

FIG. 1 is a side perspective view of an industrial luminaire showing our new design;

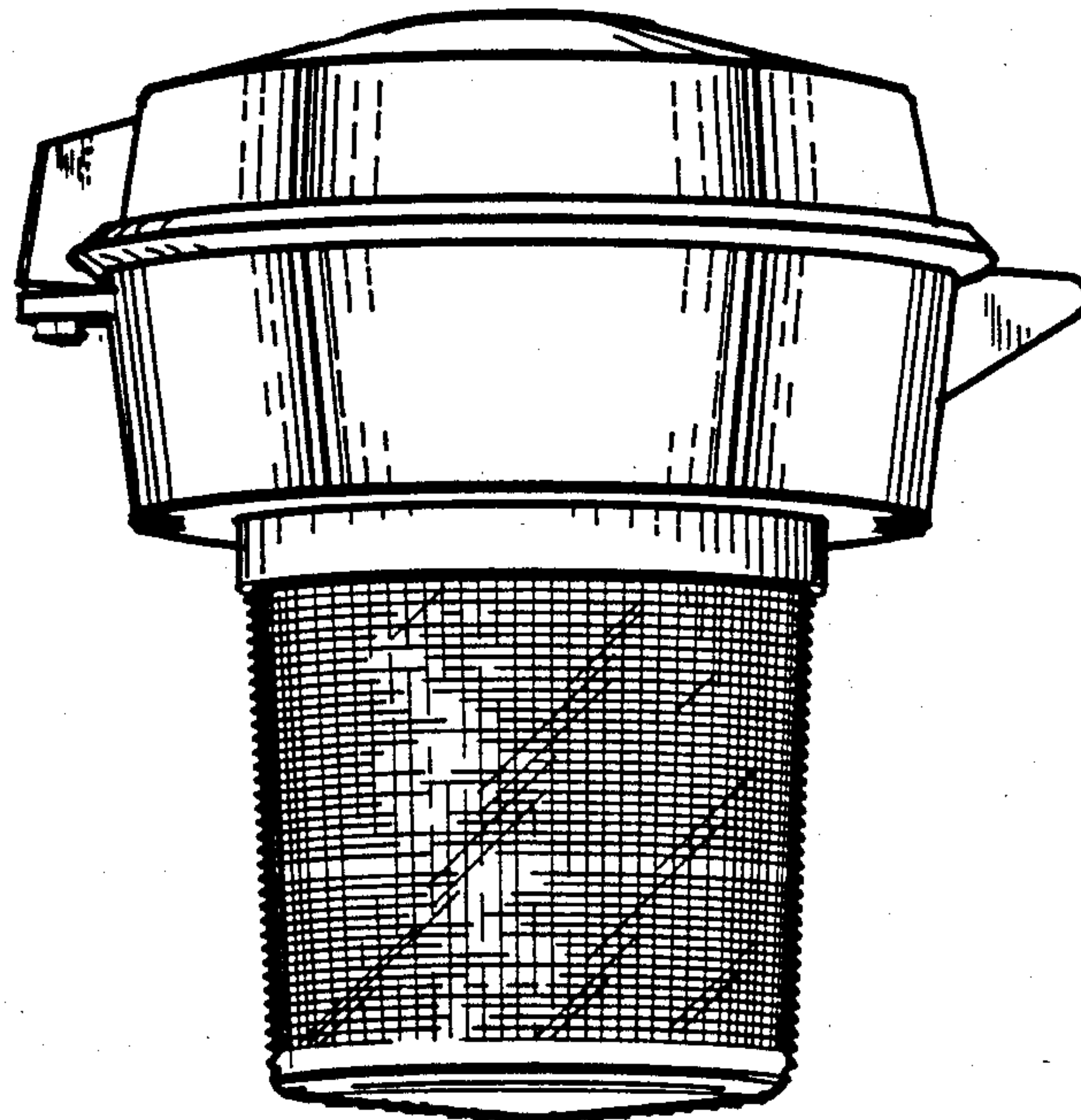
FIG. 2 is a bottom plan view thereof on an enlarged scale;

FIG. 3 is a front elevational view thereof on an enlarged scale;

FIG. 4 is a rear elevational view thereof on an enlarged scale;

FIG. 5 is a top plan view thereof;

FIG. 6 is an elevational view of the side opposite that shown in FIG. 1.



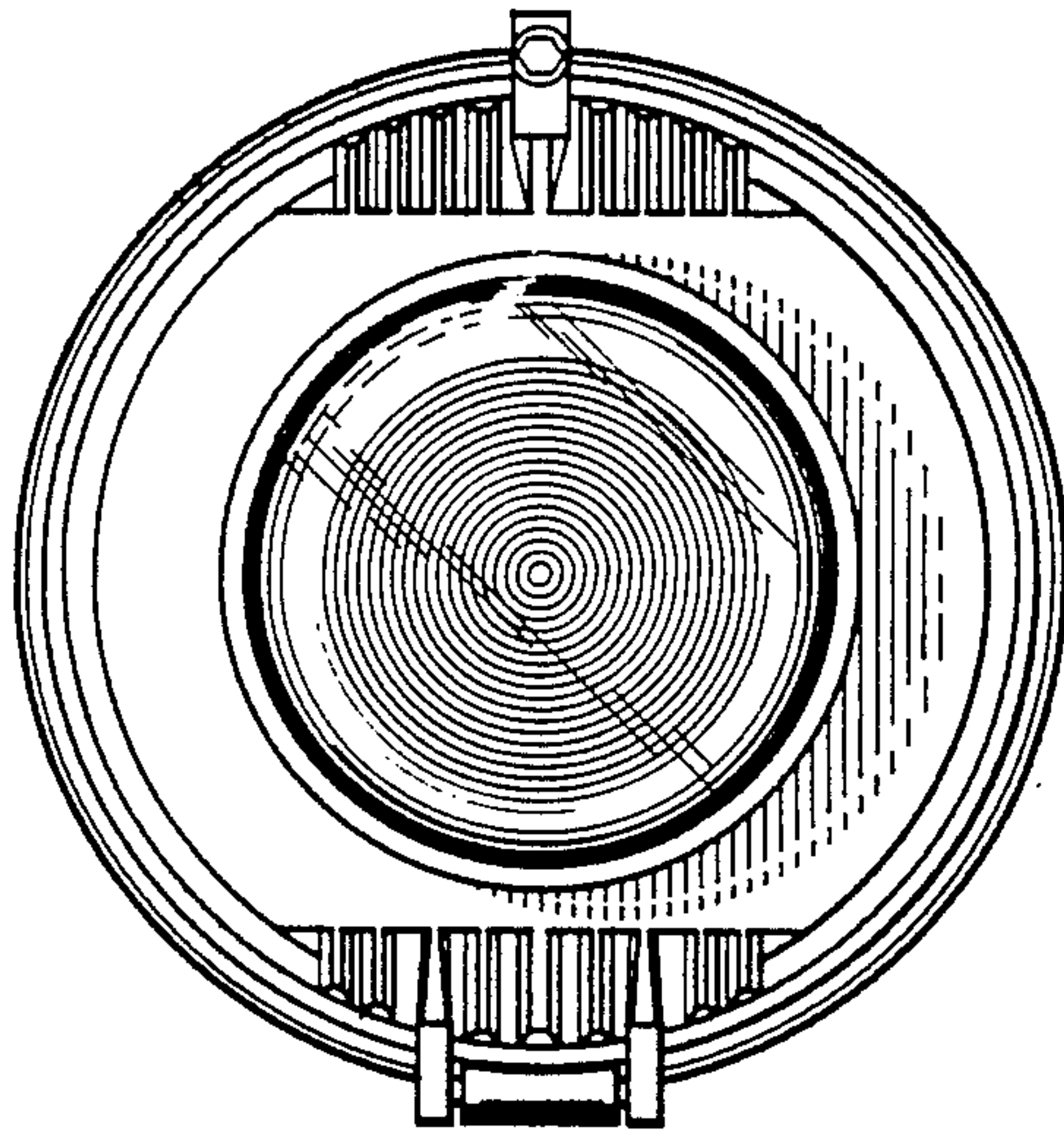


Fig. 2

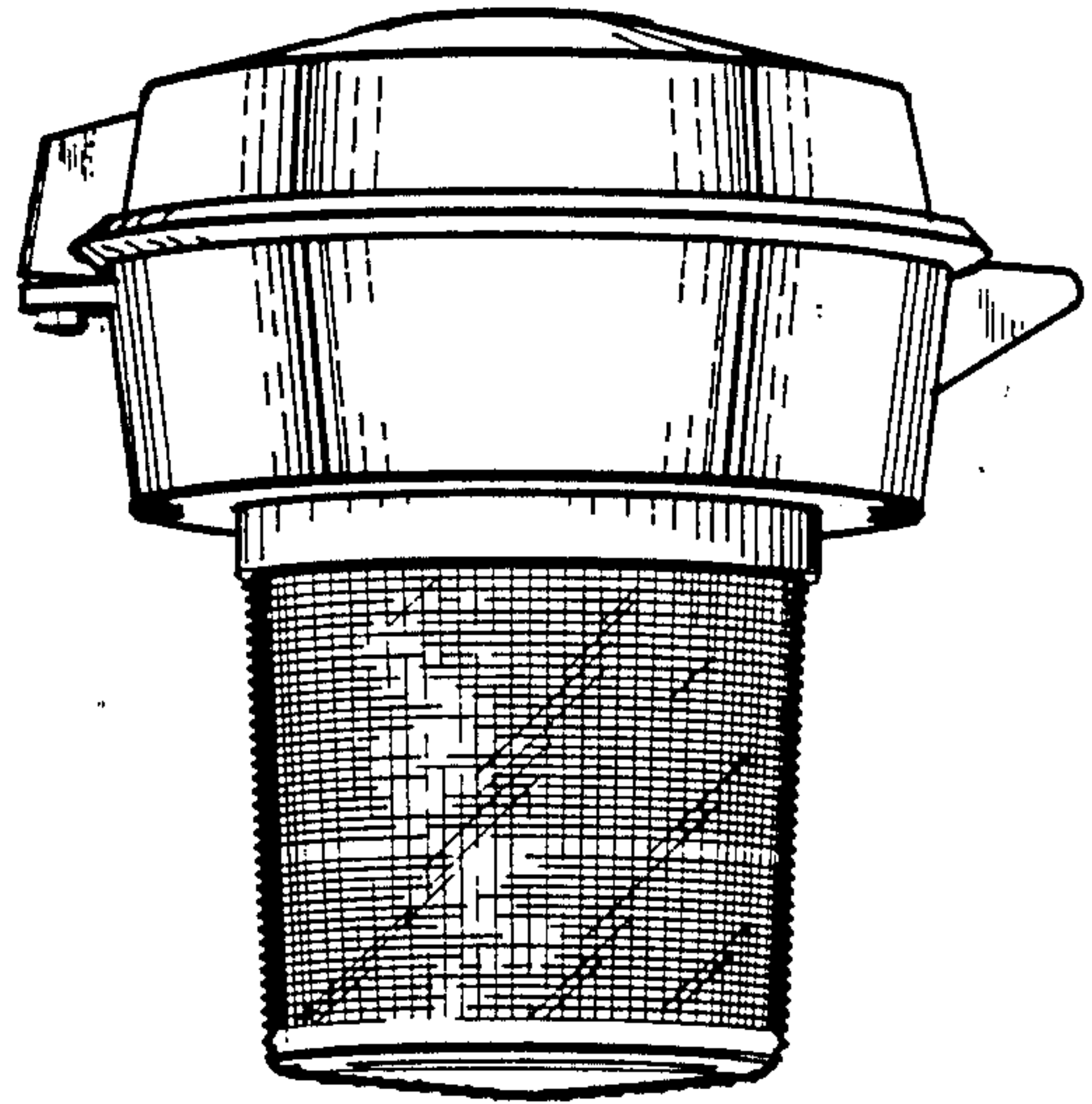


Fig. 1

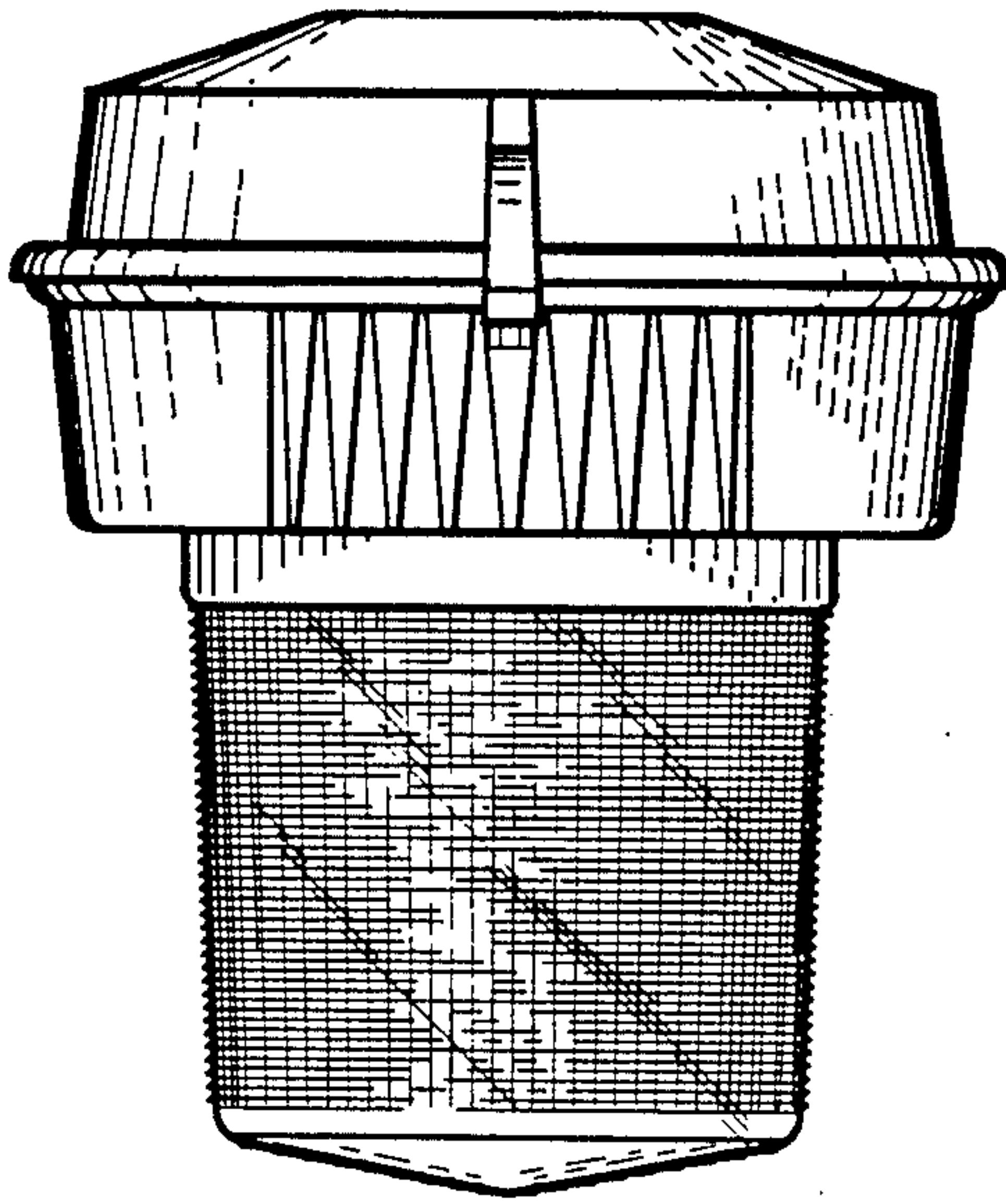


Fig. 3

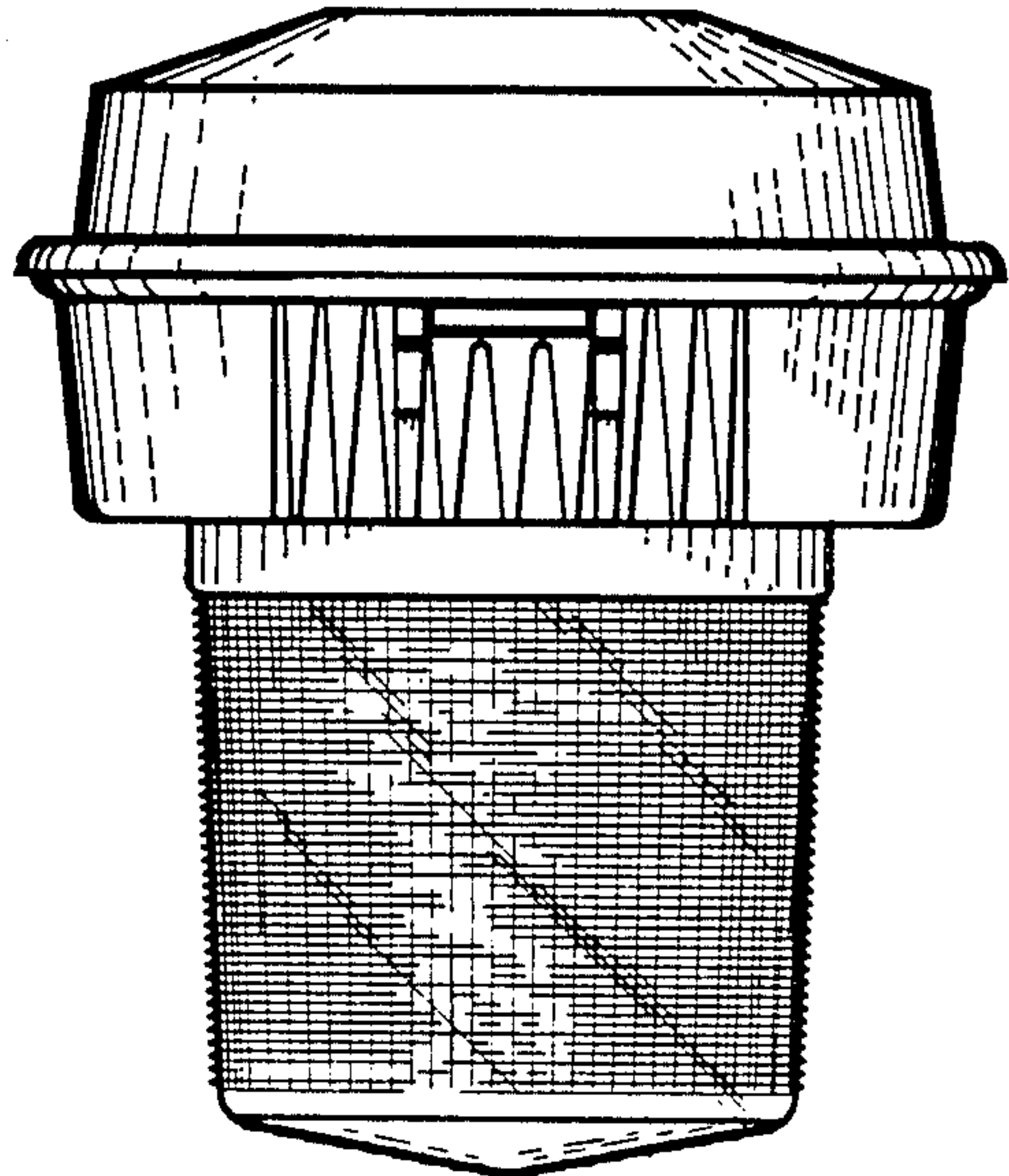


Fig. 4

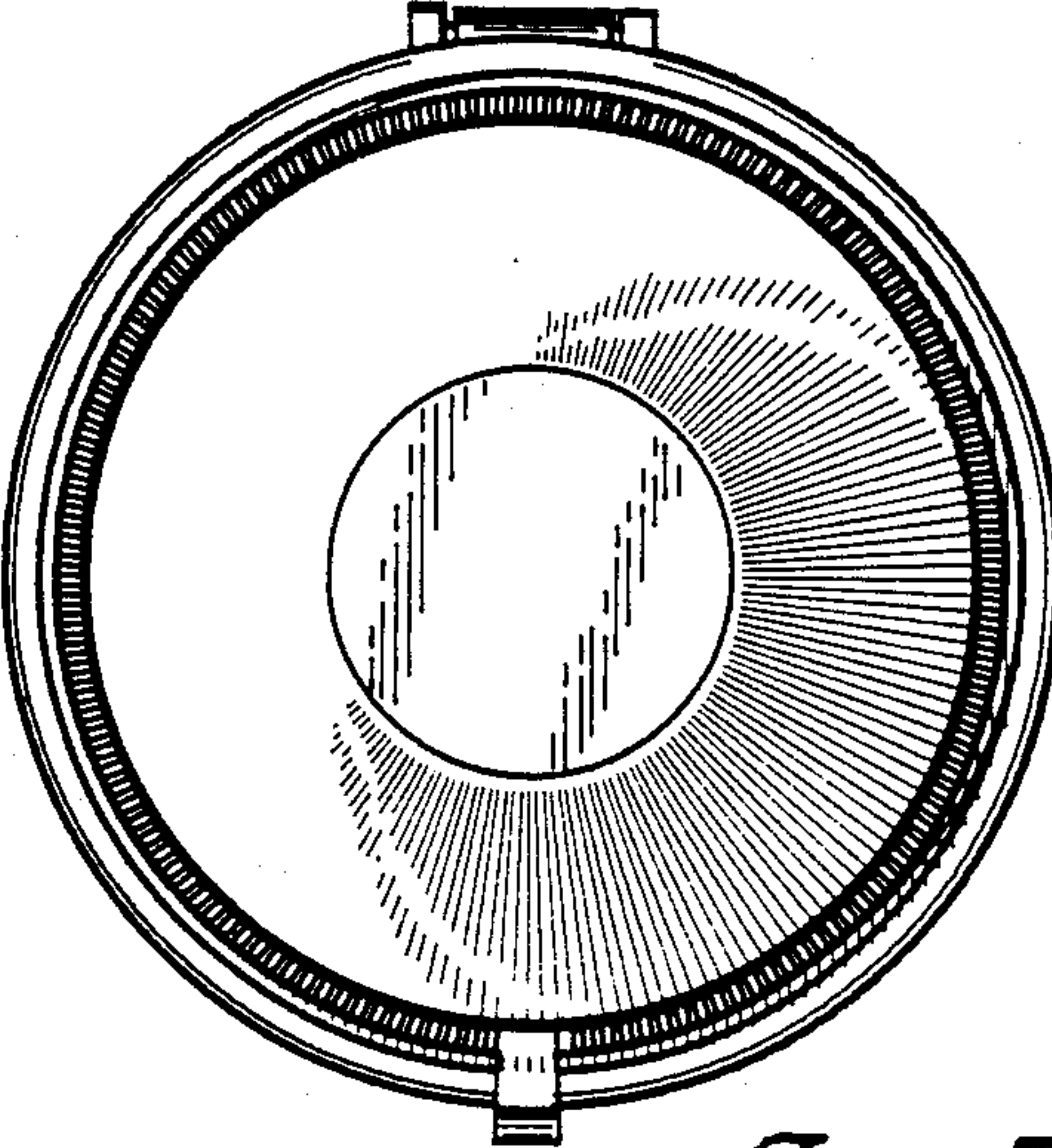


Fig. 5

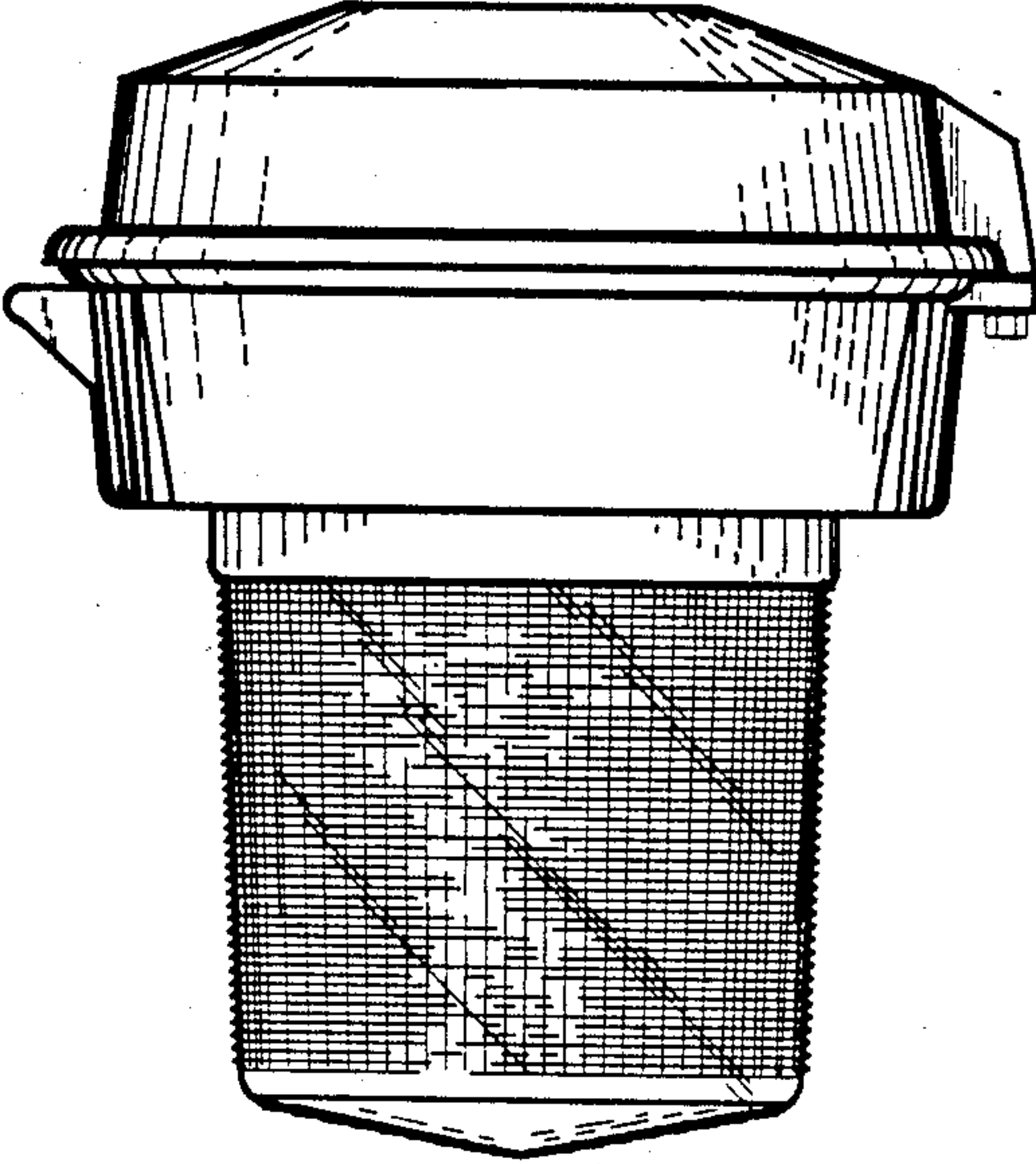


Fig. 6