

[54] **SHAPED BAR FOR WINDOW FRAMES**

[75] **Inventor: Maurice Meshulam, Kiryat Motzkin, Israel**

[73] **Assignee: Klil Industries Ltd., Israel**

[\*\*] **Term: 14 Years**

[21] **Appl. No.: 734,684**

[22] **Filed: May 16, 1985**

[30] **Foreign Application Priority Data**

Jan. 18, 1985 [IL] Israel ..... 10295

[52] **U.S. Cl. .... D25/119**

[58] **Field of Search ..... 49/469, 490; D25/52, D25/73, 74, 75; 49/413, 504**

[56] **References Cited**

**U.S. PATENT DOCUMENTS**

D. 216,957 3/1970 Dallaire ..... D25/52 X  
D. 216,958 3/1970 Dallaire ..... D25/52 X  
2,851,744 9/1954 Oehmig ..... D25/74 X

*Primary Examiner*—A. Hugo Word

*Attorney, Agent, or Firm*—Ostrolenk, Faber, Gerb & Soffen

[57] **CLAIM**

The ornamental design for a shaped bar for window frames, as shown.

**DESCRIPTION**

FIG. 1 is a perspective view of a shaped bar for window frames, showing my new design;

FIG. 2 is a front elevational view thereof;

FIG. 3 is a top plan view thereof; and,

FIG. 4 is a side elevational view thereof.

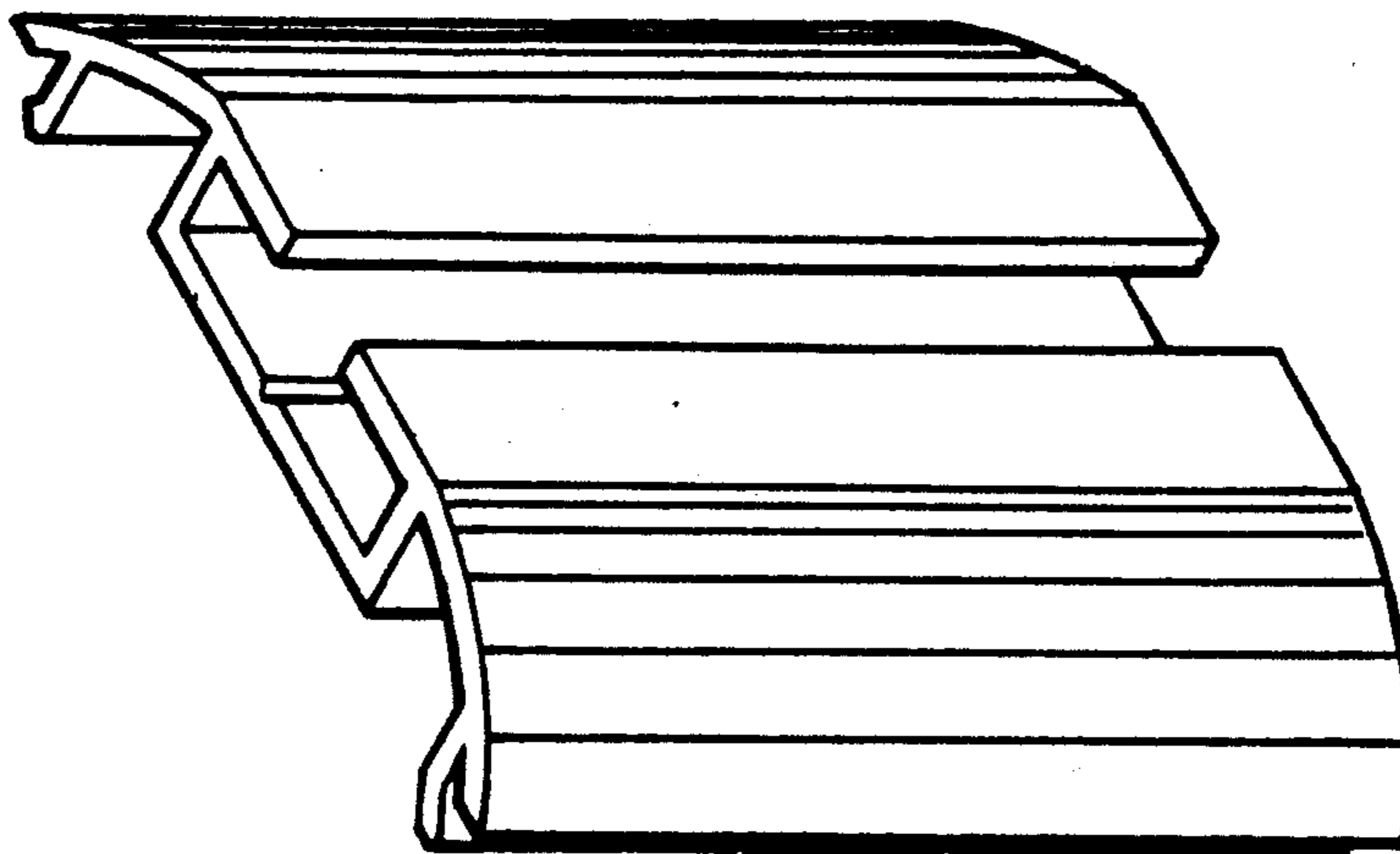


FIG. 1

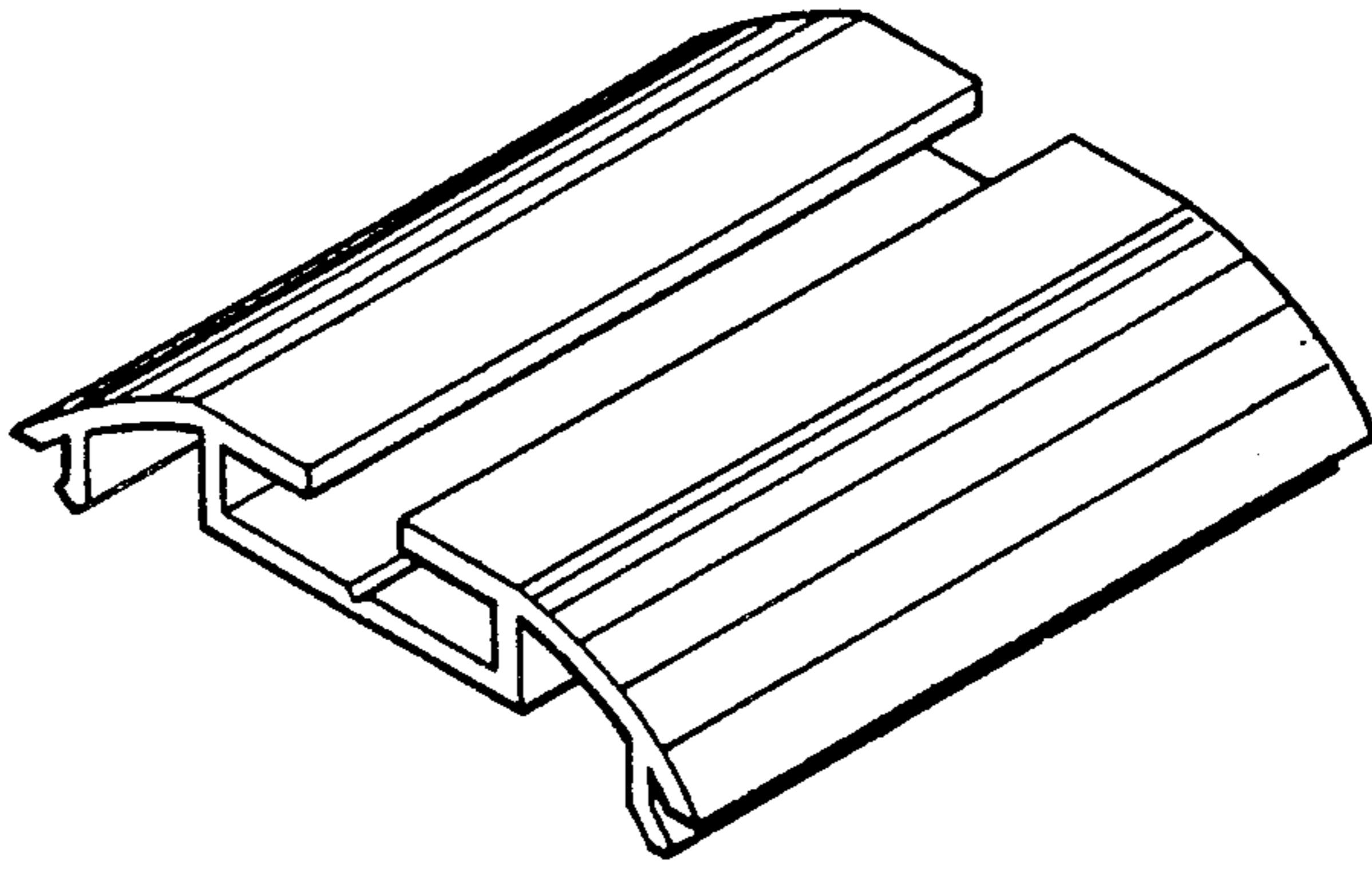


FIG. 2

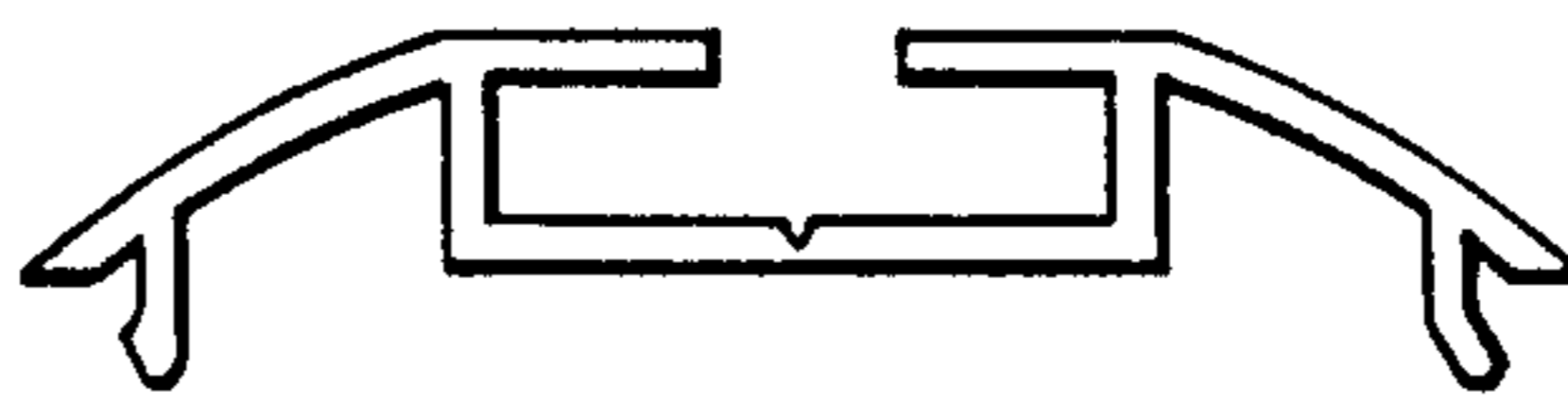


FIG. 3

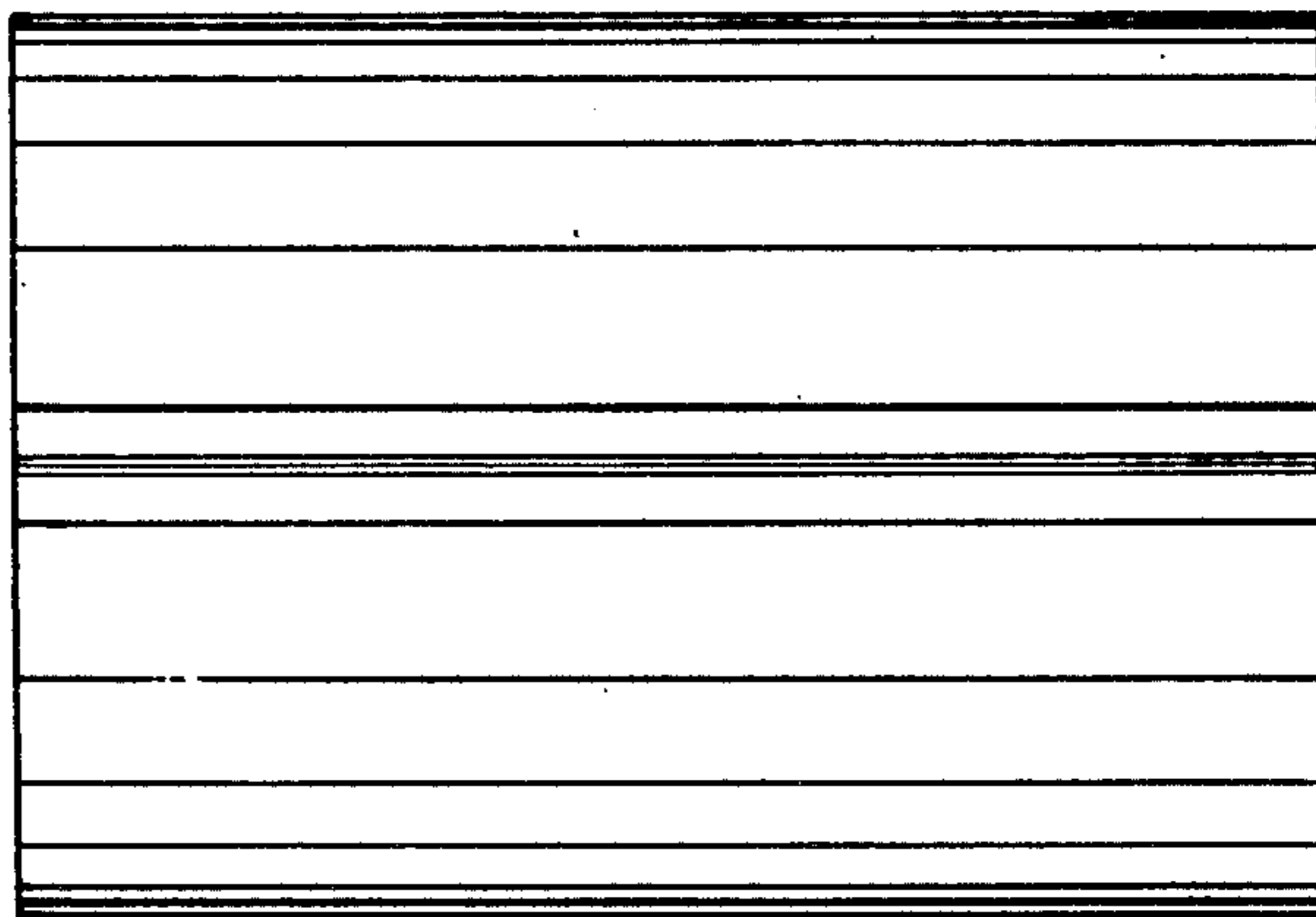


FIG. 4

