

[54] **SHAPED BAR FOR WINDOW FRAMES**

[75] **Inventor: Maurice Meshulam, Kiryat Motzkin, Israel**

[73] **Assignee: Klil Industries Ltd., Israel**

[\*\*] **Term: 14 Years**

[21] **Appl. No.: 734,683**

[22] **Filed: May 16, 1985**

[30] **Foreign Application Priority Data**  
Nov. 30, 1984 [IL] Israel ..... 10,200  
[52] **U.S. Cl. .... D25/122**  
[58] **Field of Search ..... D25/52, 73, 74, 75;  
49/413, 504**

[56] **References Cited**  
**U.S. PATENT DOCUMENTS**  
D. 221,742 9/1971 Starck et al. .... D25/74  
D. 288,614 3/1987 Bos ..... D25/74  
4,429,502 2/1984 Kinnebrew ..... D25/74 X

*Primary Examiner*—A. Hugo Word  
*Attorney, Agent, or Firm*—Ostrolenk, Faber, Gerb & Soffen

[57] **CLAIM**  
The ornamental design for a shaped bar for window frames, as shown.

**DESCRIPTION**  
FIG. 1 is a perspective view of a shaped bar for window frames, showing my new design;  
FIG. 2 is a front elevational view thereof;  
FIG. 3 is a top plan view thereof; and,  
FIG. 4 is a side elevational view thereof.

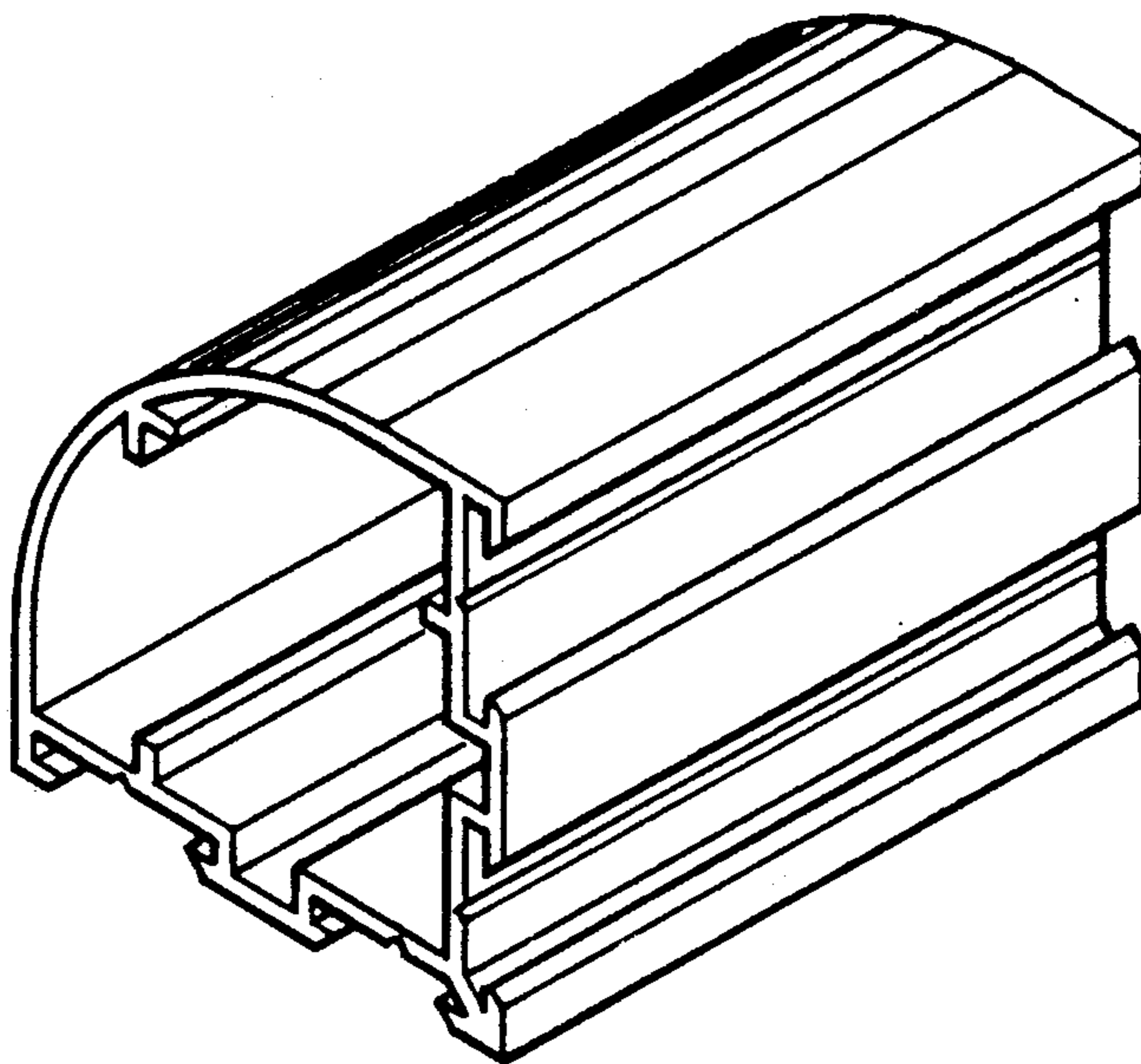


FIG. 1

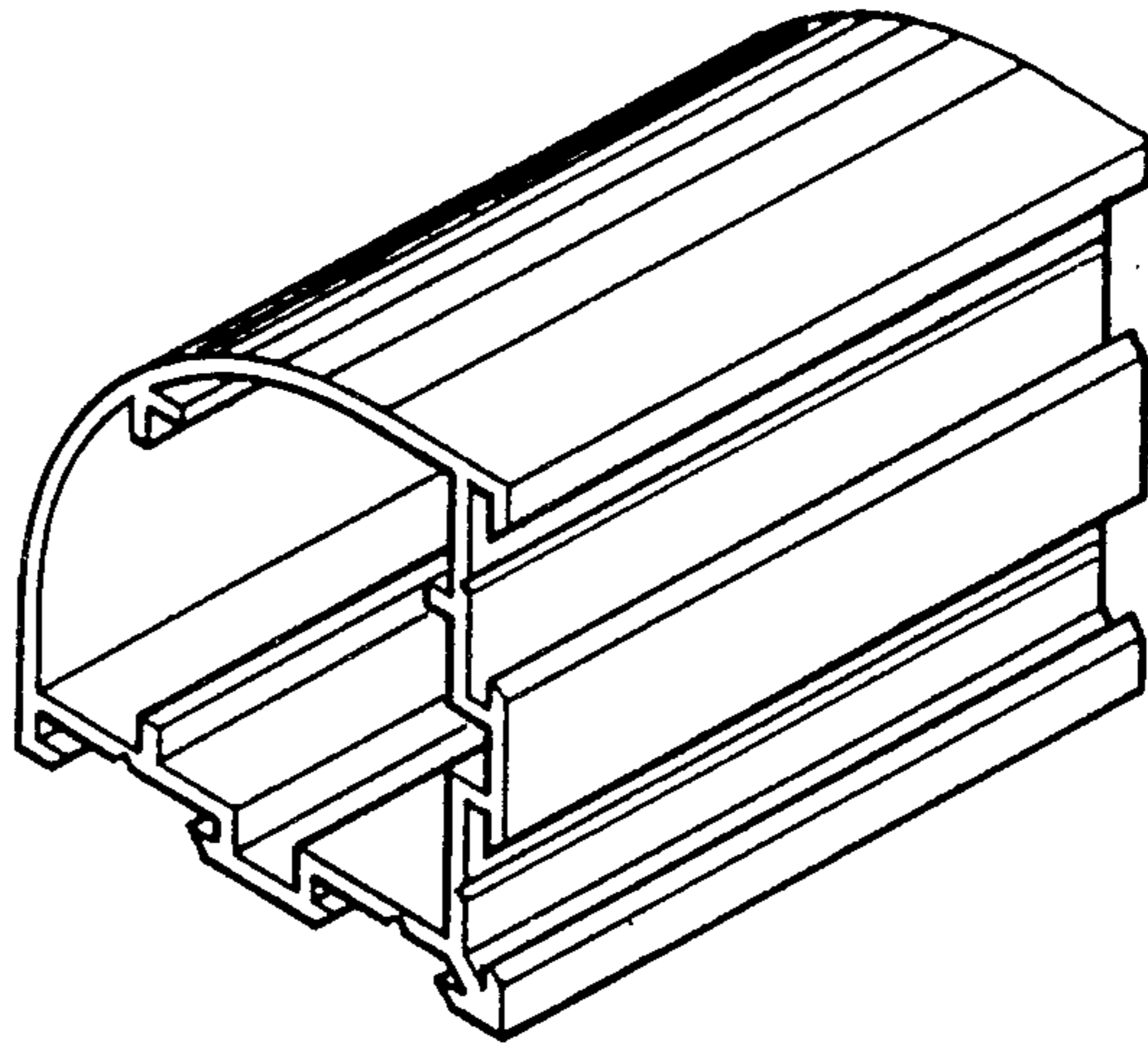


FIG. 2

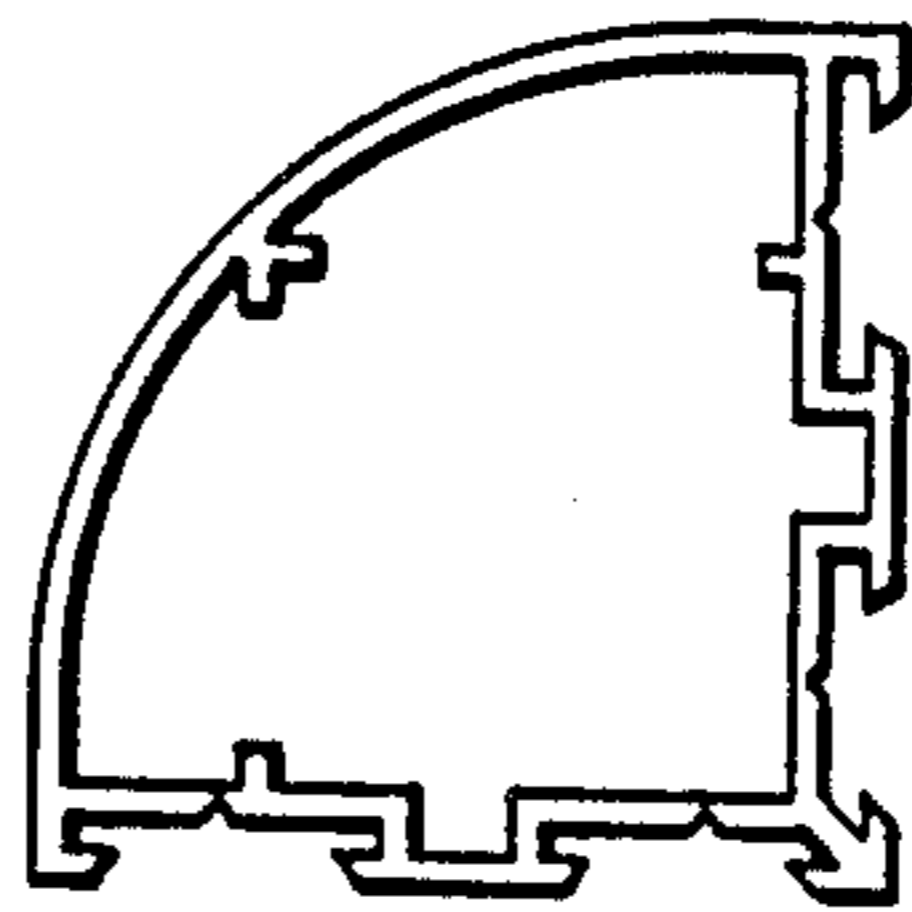


FIG. 3

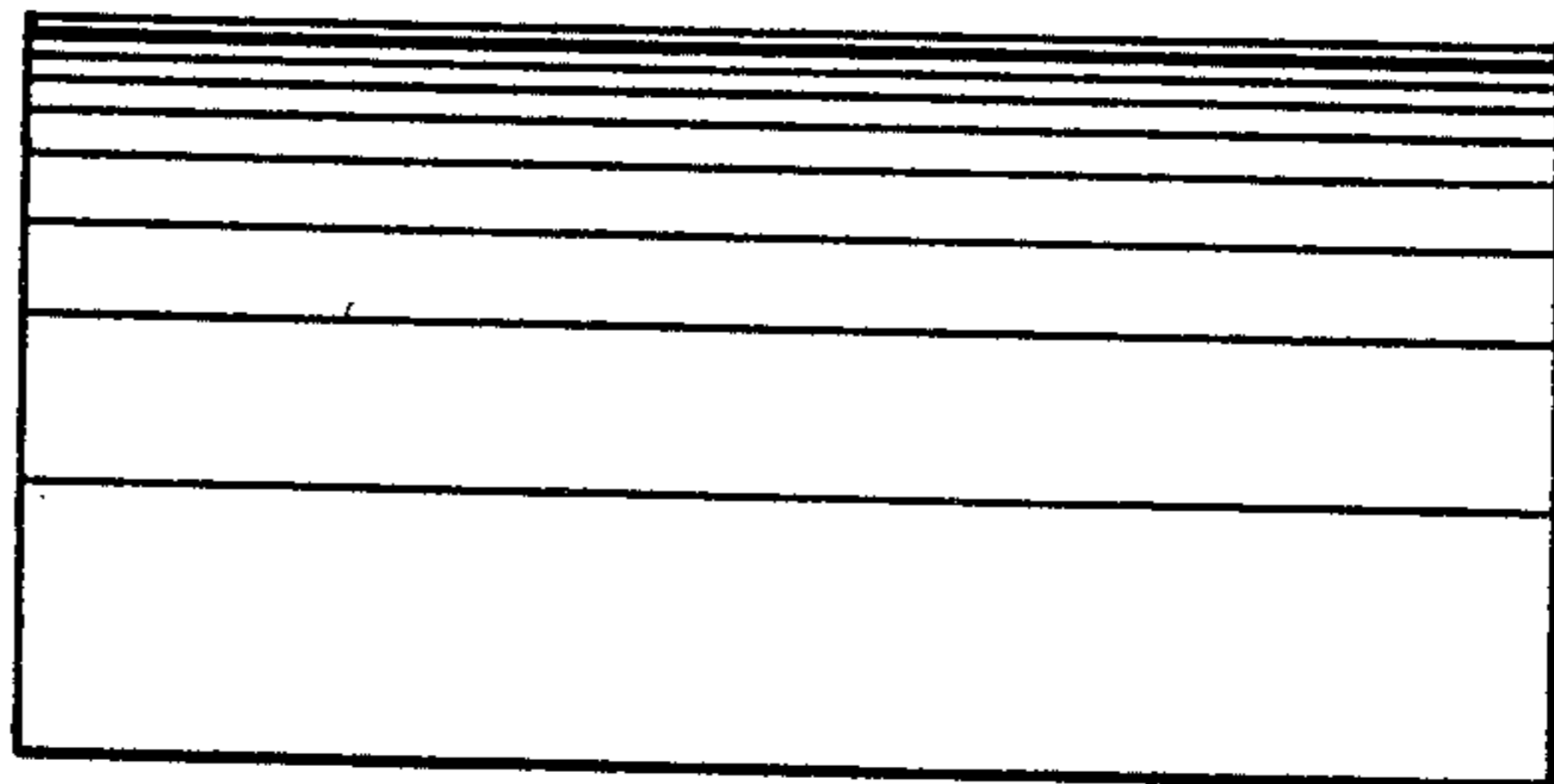


FIG. 4

