

[54] **SHAPED BAR FOR WINDOW FRAMES**

[75] **Inventor: Maurice Meshulam, Kiryat Motzkin, Israel**

[73] **Assignee: Klil Industries Ltd., Israel**

[**] **Term: 14 Years**

[21] **Appl. No.: 734,681**

[22] **Filed: May 16, 1985**

[52] **U.S. Cl. D25/122**

[58] **Field of Search D25/52, 73, 74, 75;
49/413, 504**

[56] **References Cited**

U.S. PATENT DOCUMENTS

D. 221,742 9/1971 Starck et al. D25/74
D. 288,614 3/1987 Bos D25/74
4,429,502 2/1984 Kinnebrew D25/74 X

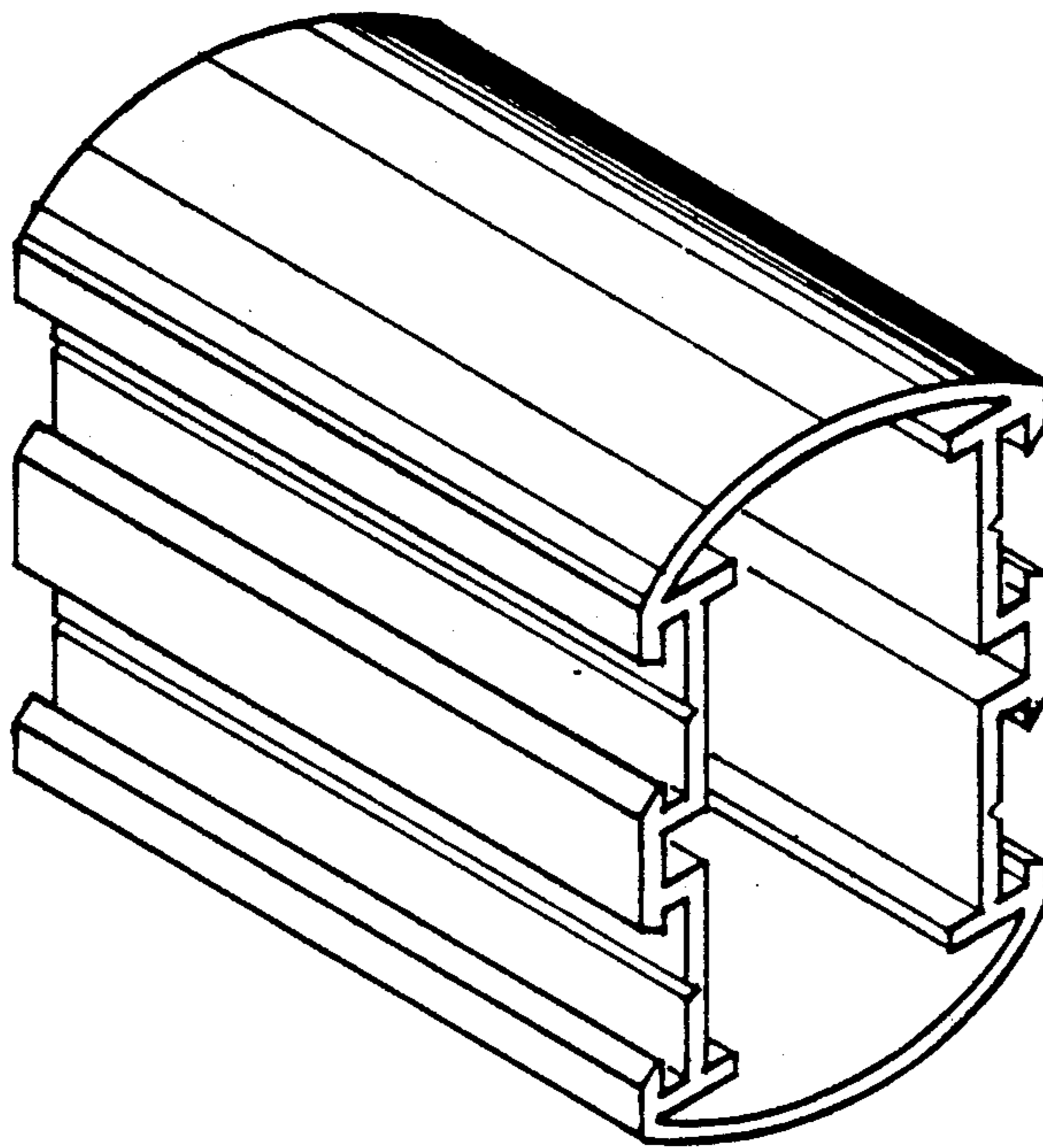
Primary Examiner—A. Hugo Word
Attorney, Agent, or Firm—Ostrolenk, Faber, Gerb & Soffen

[57] **CLAIM**

The ornamental design for a shaped bar for window frames, as shown.

DESCRIPTION

FIG. 1 is a perspective view of a shaped bar for window frames, showing my new design;
FIG. 2 is a front elevational view thereof;
FIG. 3 is a top plan view thereof; and,
FIG. 4 is a side elevational view thereof.



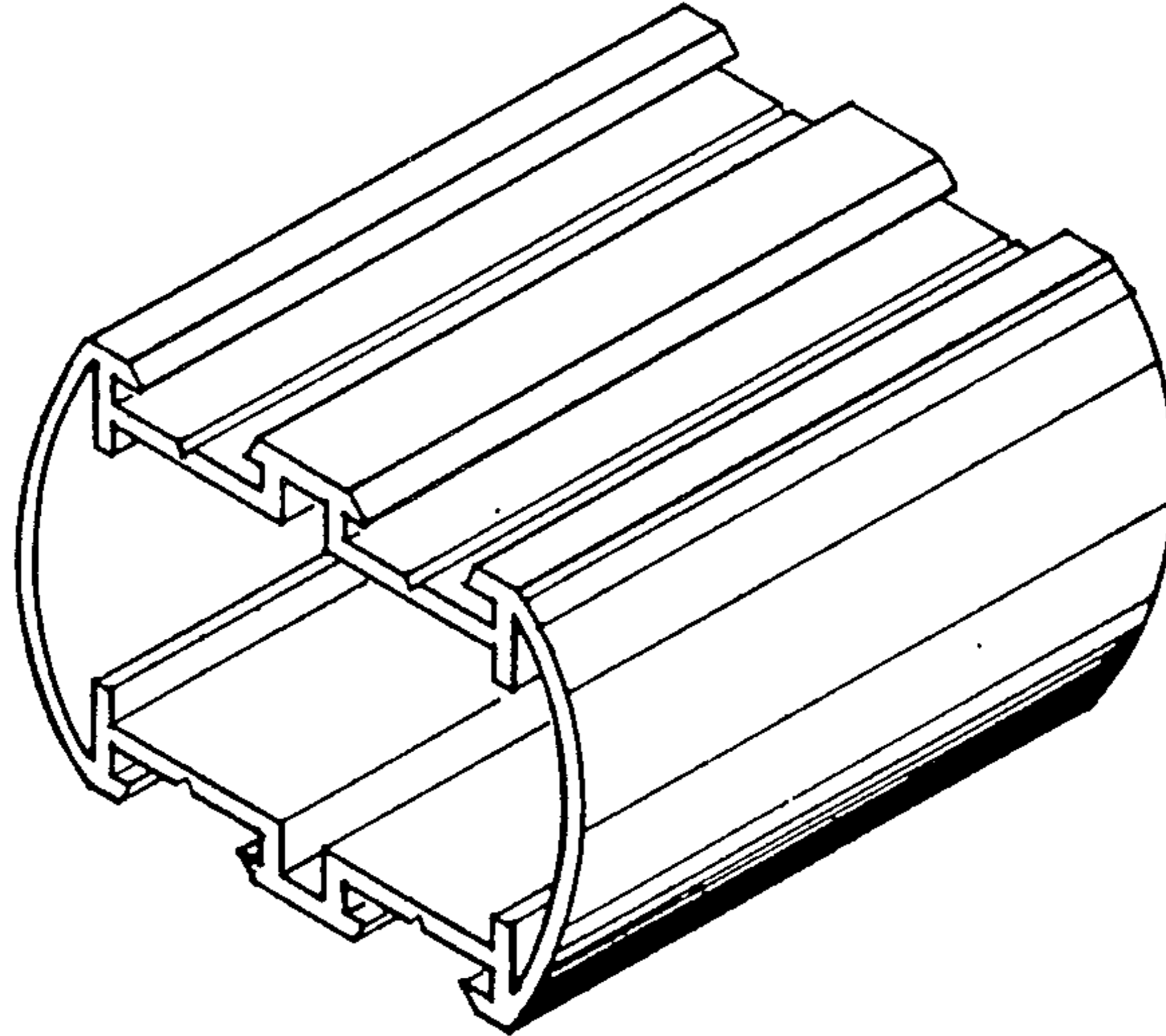


FIG 1

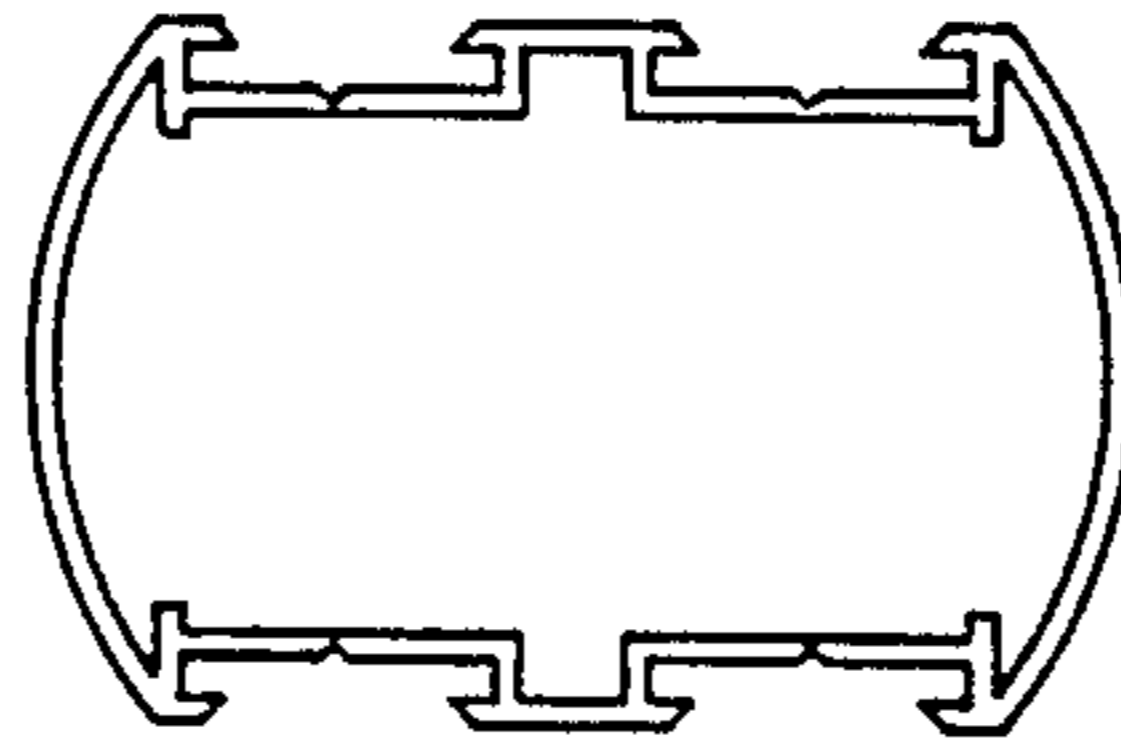


FIG 2

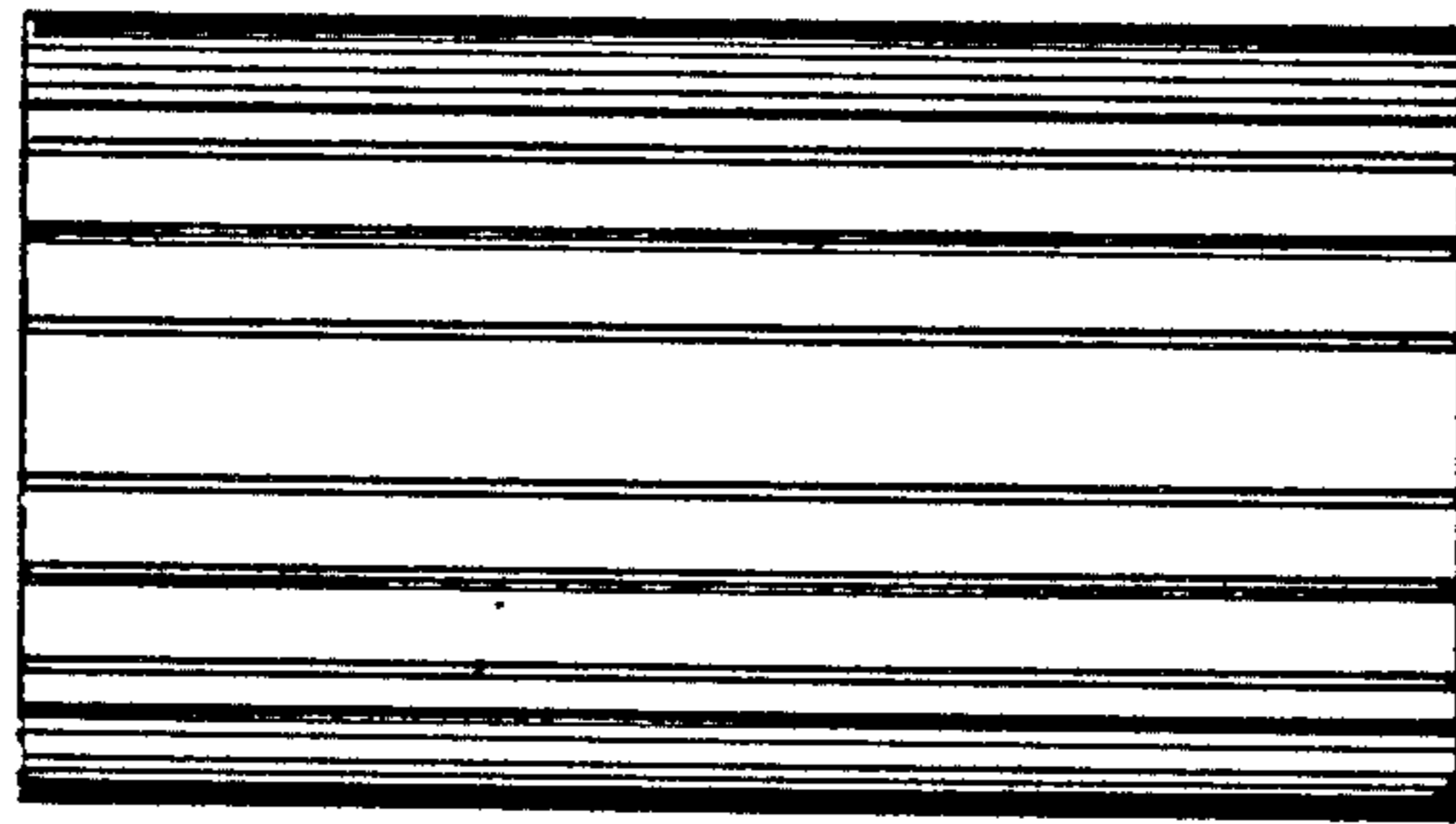


FIG 3

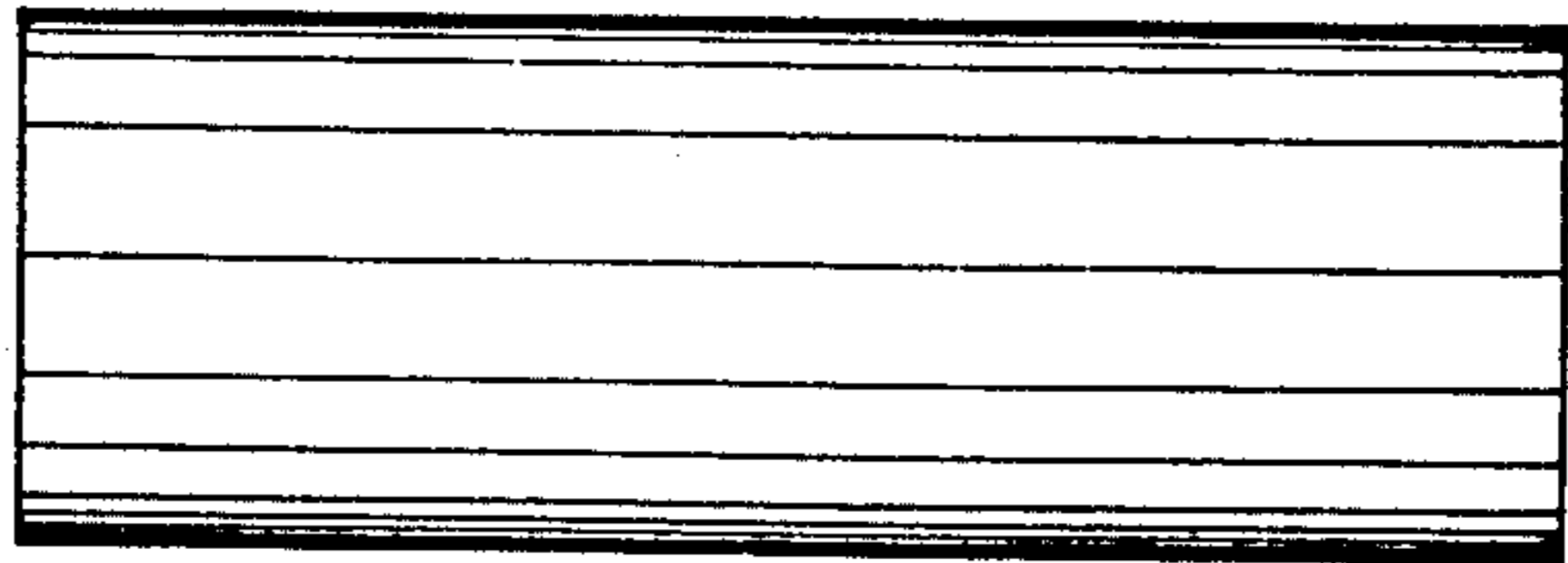


FIG 4