

[54] THERAPEUTIC INFRARED HEAT GENERATOR FOR PAIN RELIEF

[75] Inventor: Joseph Gialanella, Irvington, N.J.

[73] Assignee: Infralux International, Inc., Fairfield, N.J.

[**] Term: 14 Years

[21] Appl. No.: 757,159

[22] Filed: Jul. 22, 1985

[52] U.S. Cl. D24/40; D24/36; D24/41

[58] Field of Search D24/36, 40, 41; 128/395-397, 804; 362/183, 202, 207; 250/504 H; 128/24.1, 44, 60, 62 R, 67

[56] References Cited

U.S. PATENT DOCUMENTS

2,072,205 3/1937 Halpern 128/396

2,123,709	7/1938	Bristow et al.	128/396 X
2,385,501	9/1945	Fevas	128/24.1
2,488,591	11/1949	Fevas	128/24.1
2,582,617	1/1952	August	128/24.1

Primary Examiner—A. Hugo Word
Assistant Examiner—Stella M. Reid
Attorney, Agent, or Firm—Daniel H. Bobis

[57] CLAIM

The ornamental design for a therapeutic infrared heat generator for pain relief, substantially as shown.

DESCRIPTION

FIG. 1 is a front elevational view of a therapeutic infrared heat generator for pain relief showing my new design.

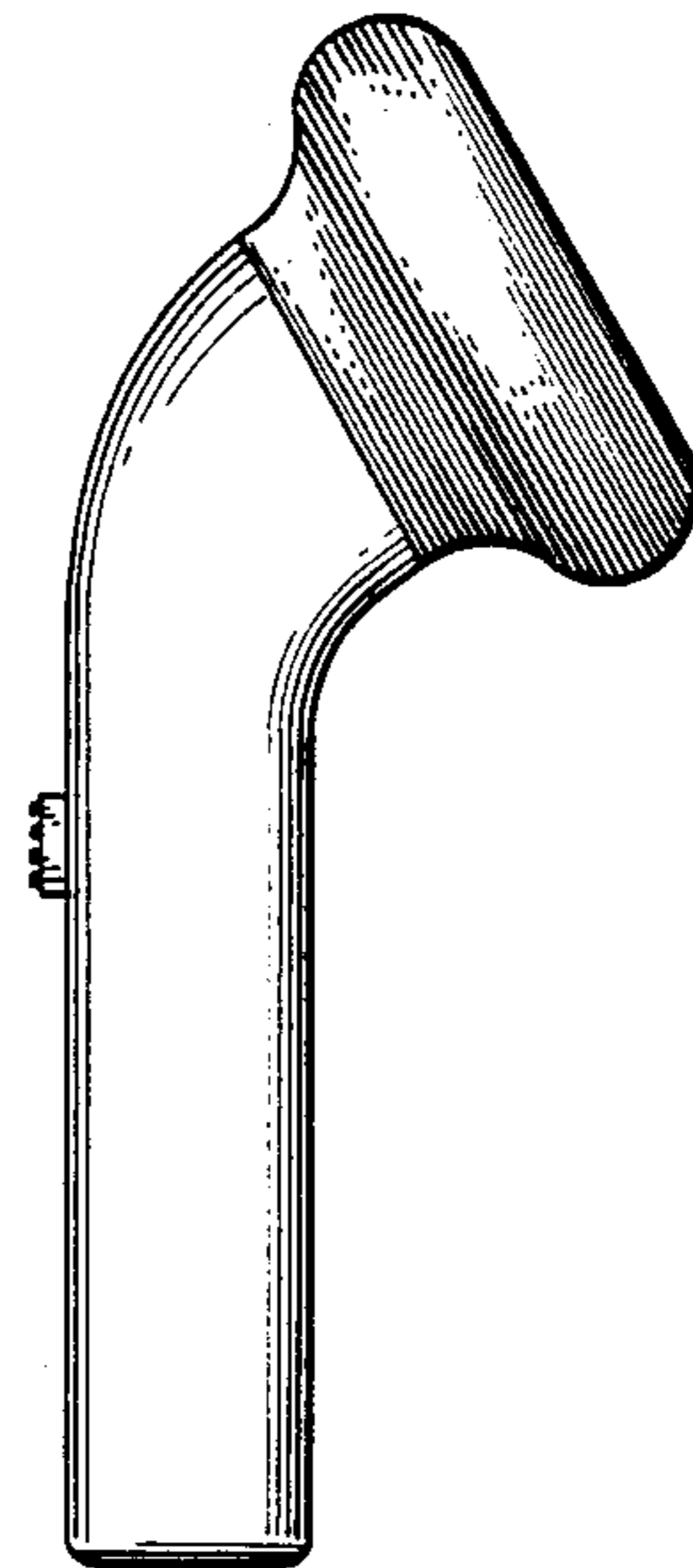
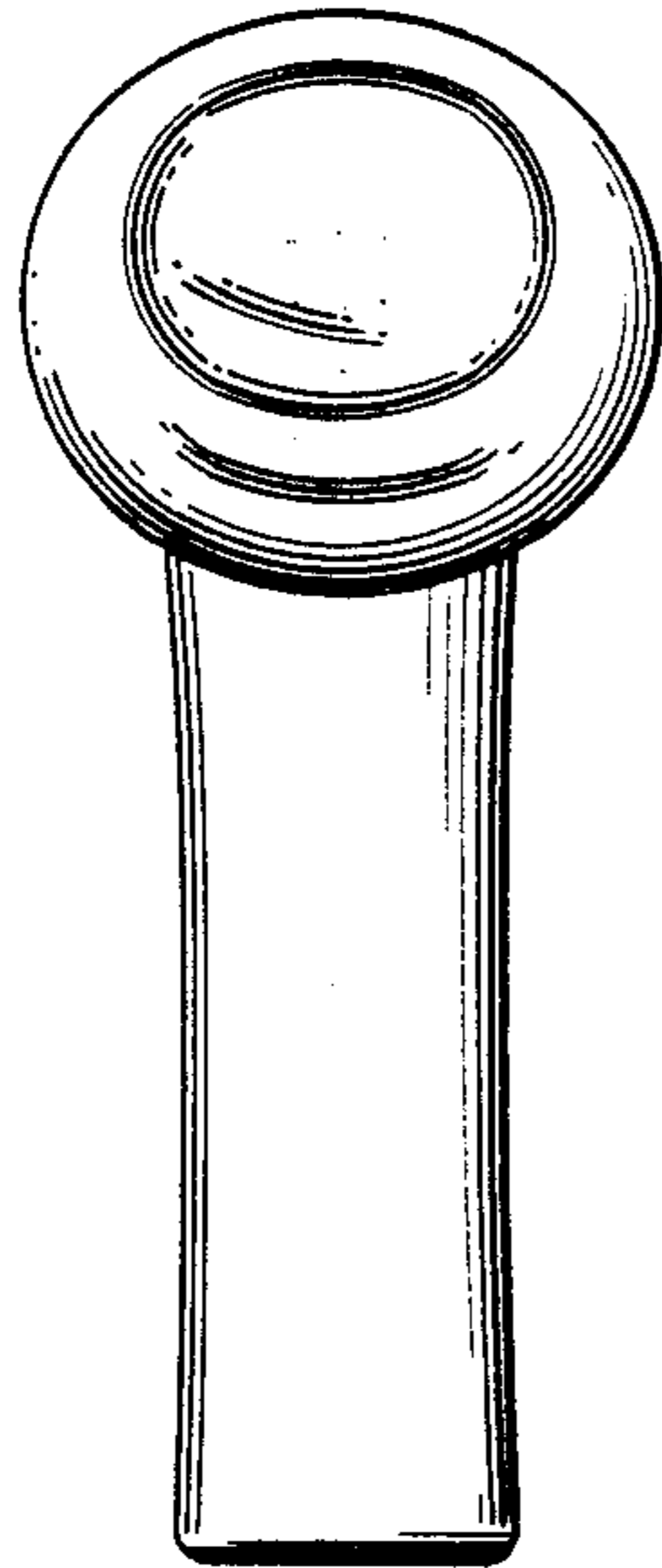
FIG. 2 is a rear elevational view thereof;

FIG. 3 is a top plan view thereof;

FIG. 4 is a left side elevational view thereof;

FIG. 5 is a right side elevational view thereof;

FIG. 6 is a bottom plan view thereof.



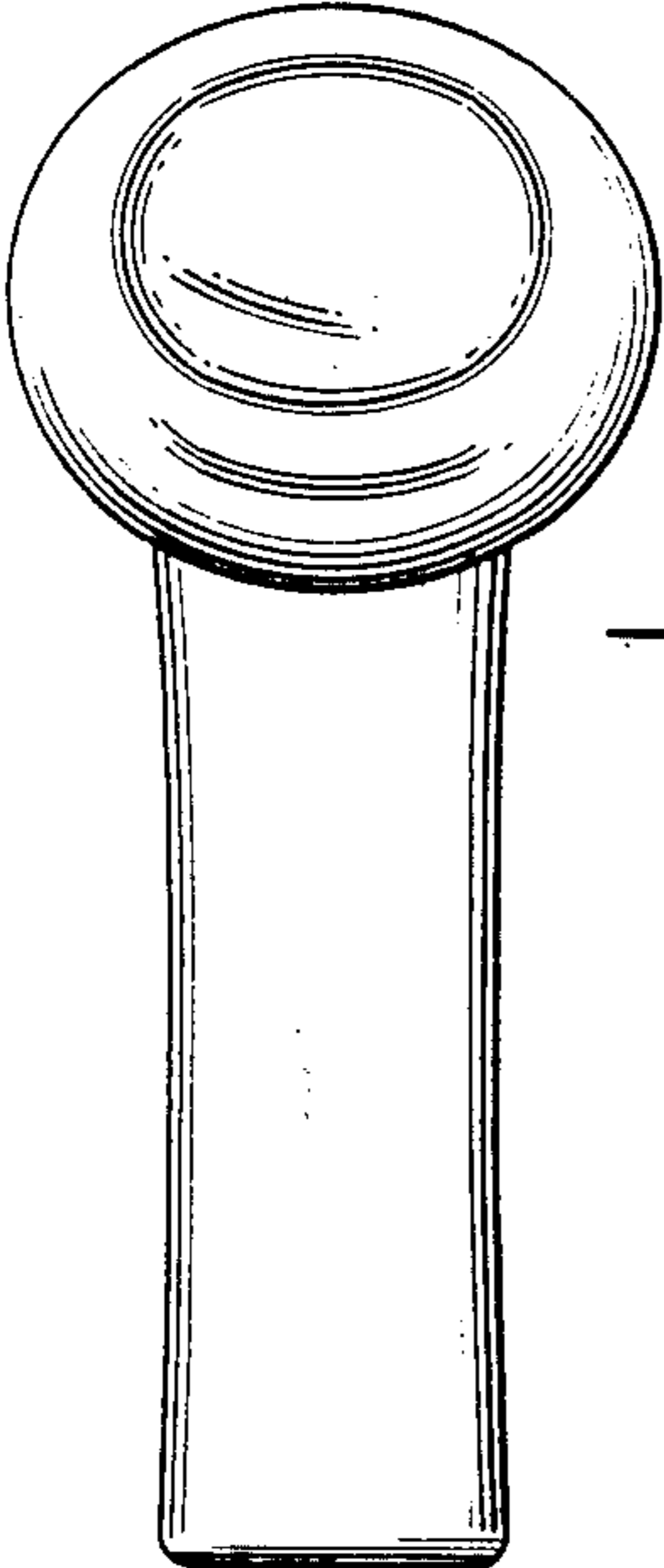


Fig. 1.

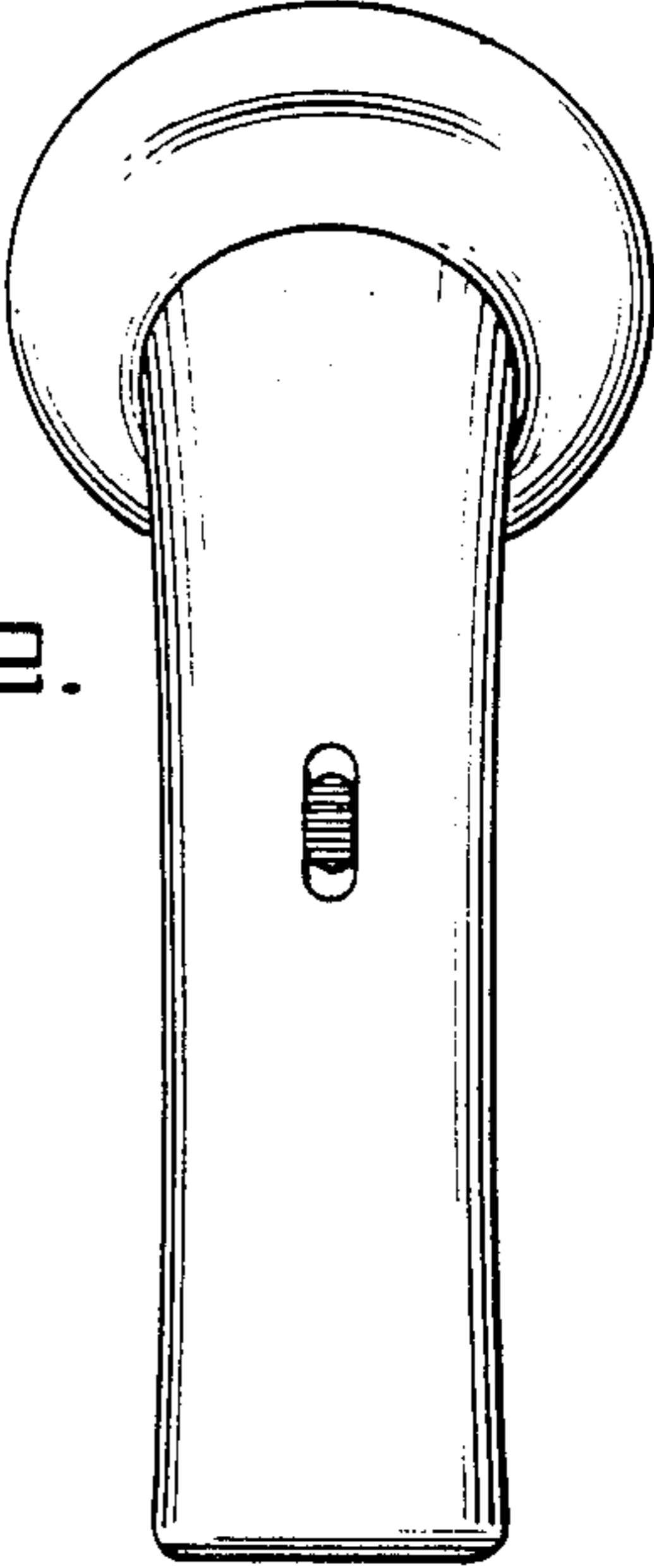


Fig. 2.

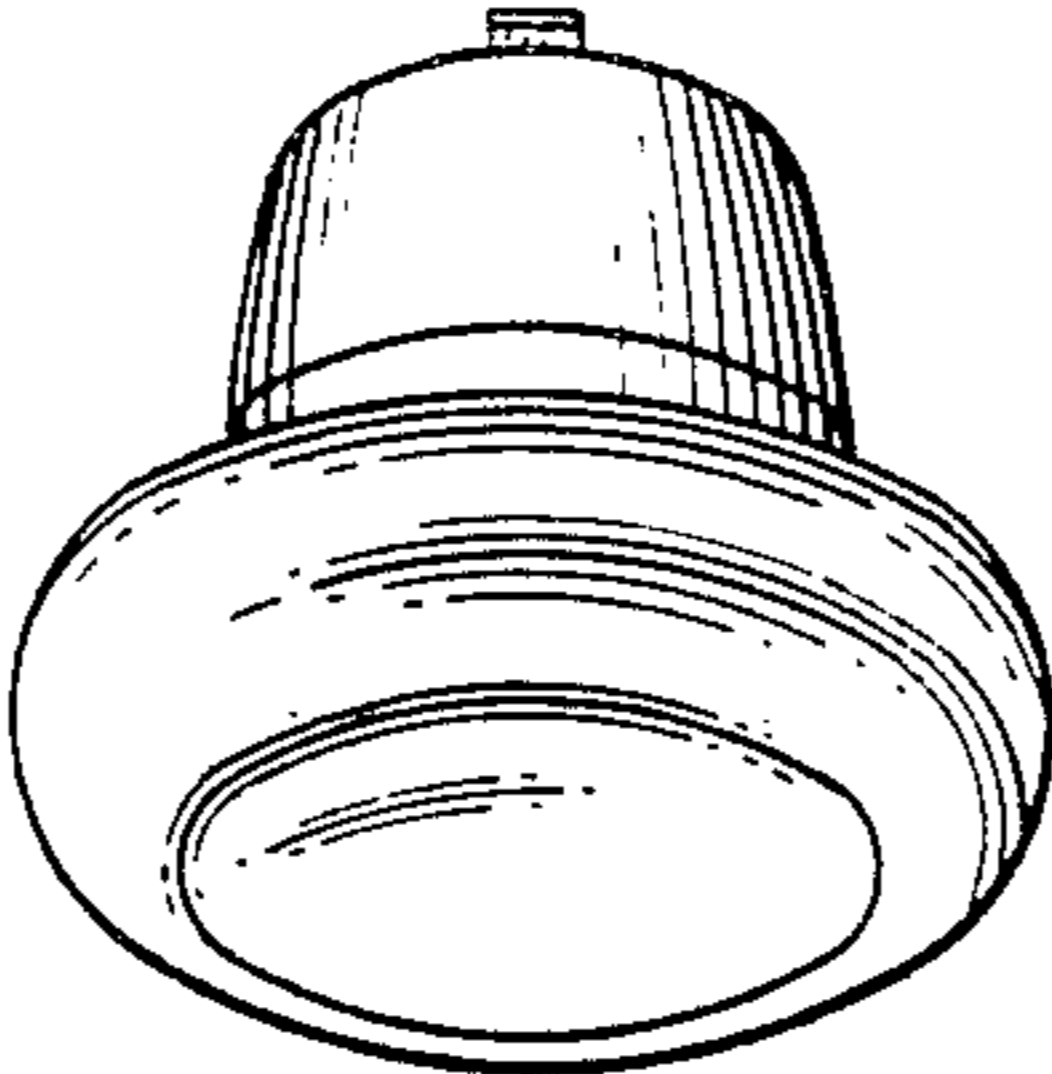


Fig. 3.

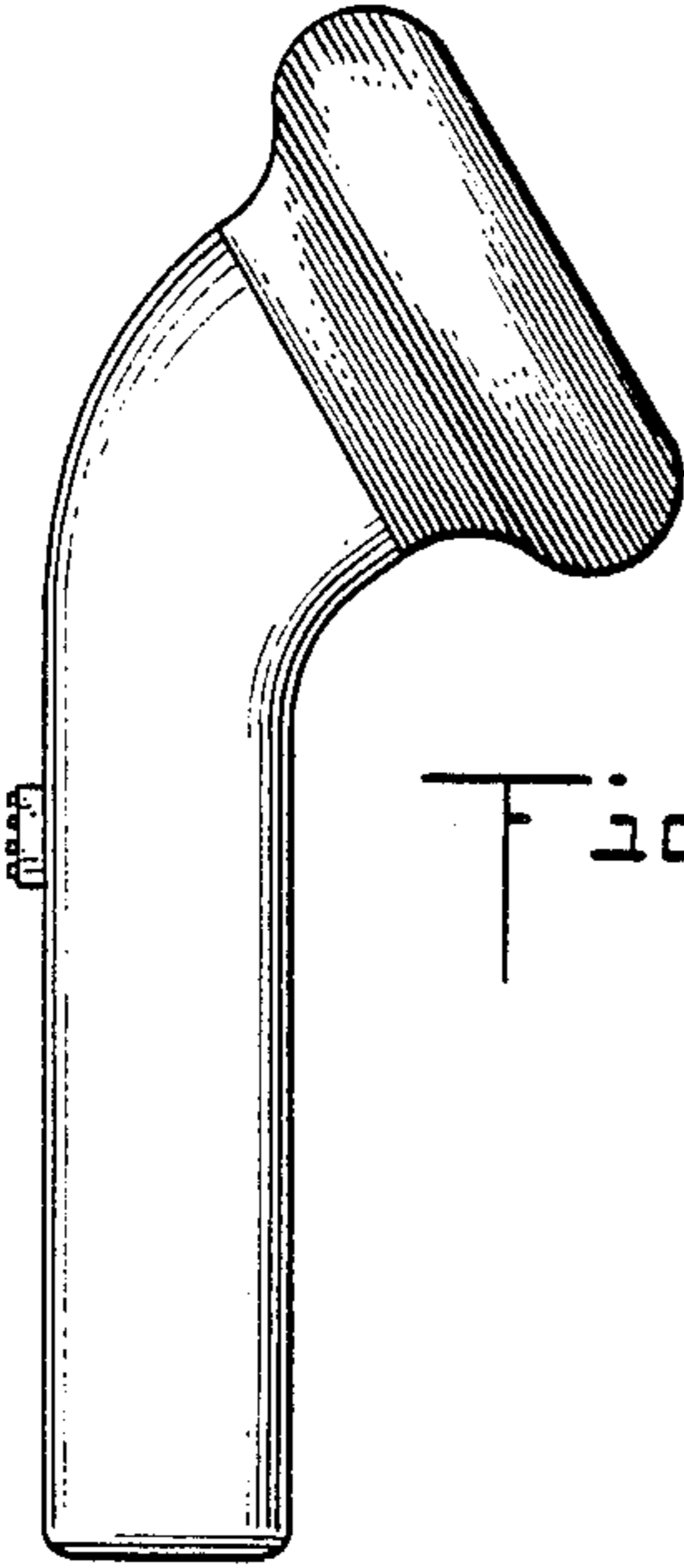


Fig. 4.

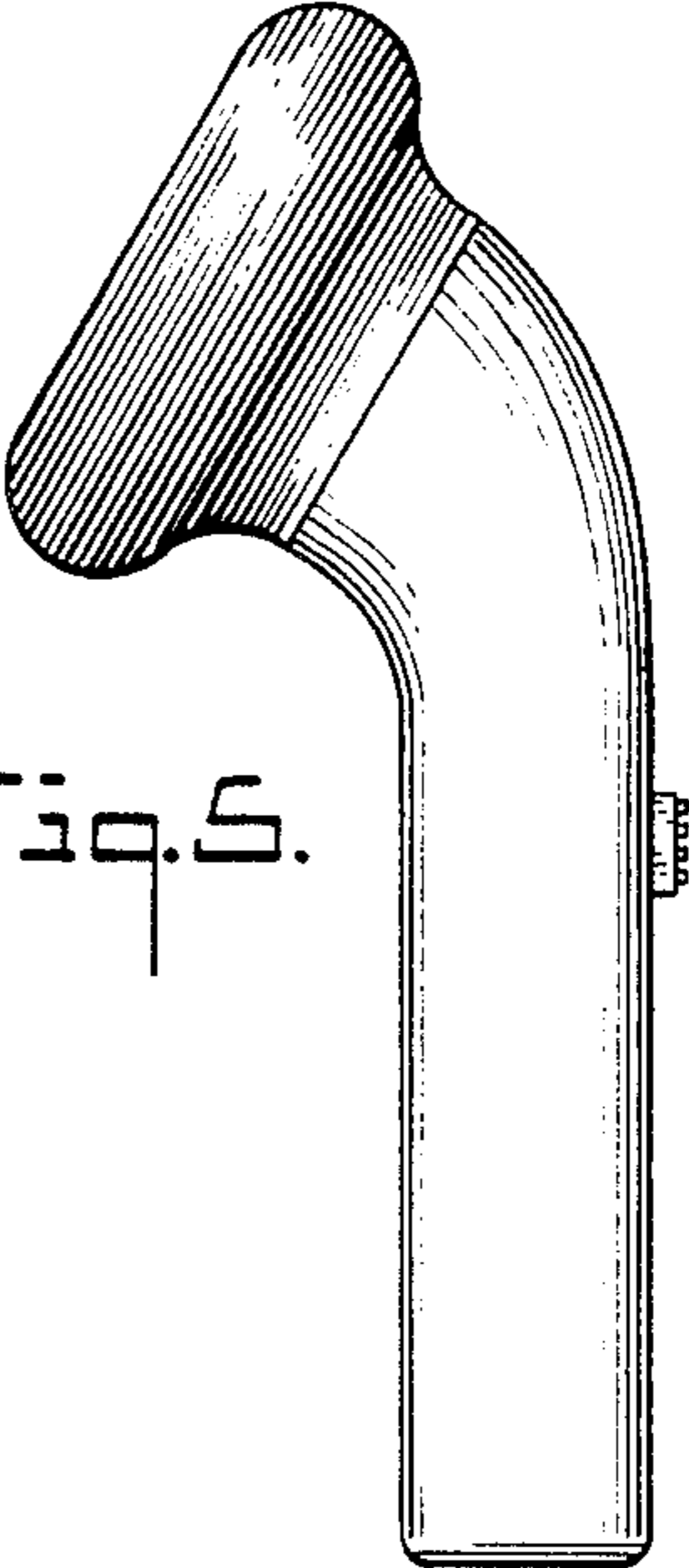


Fig. 5.

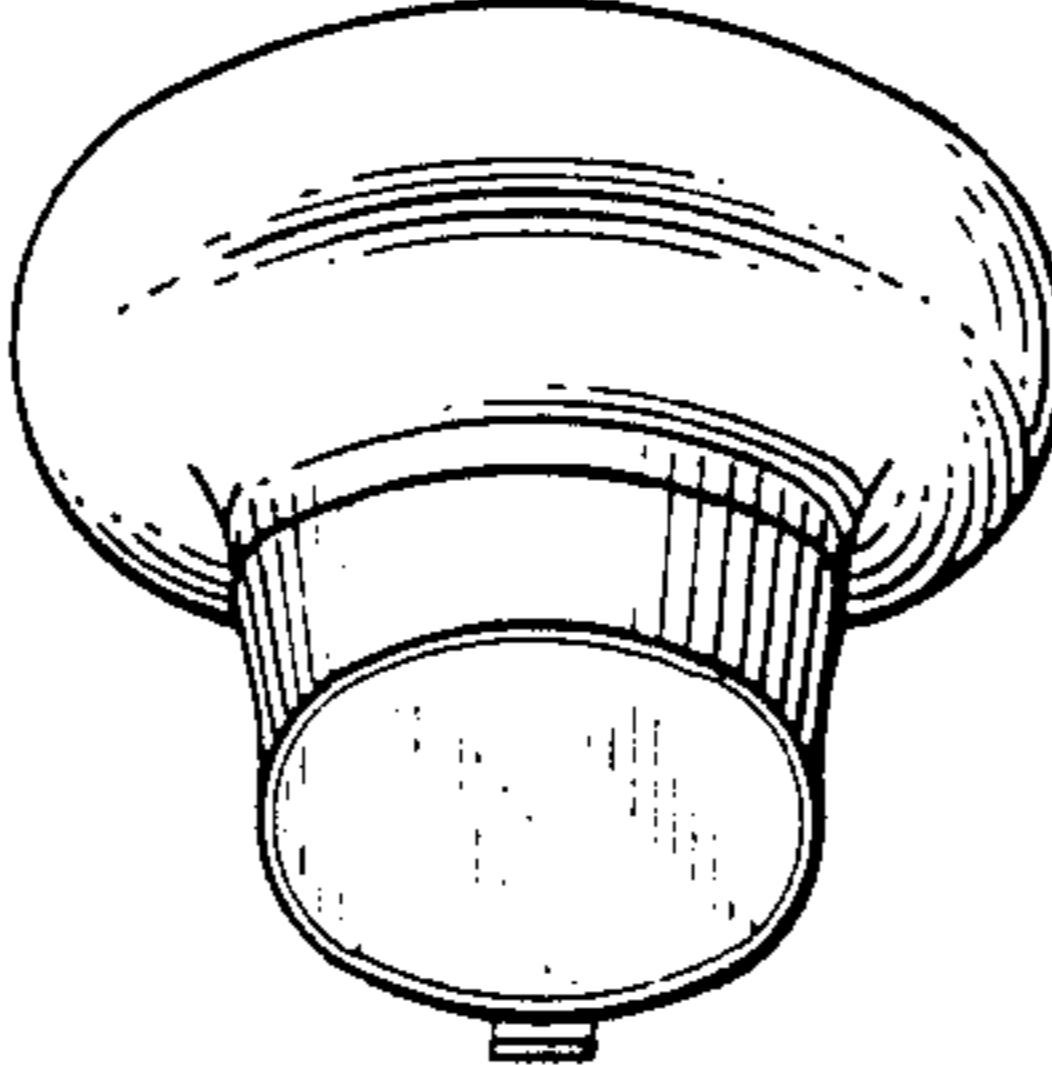


Fig. 6.