

[54] ACUITY CHART PROJECTOR OR THE LIKE

[75] Inventor: Paul A. Hoogesteger, Penfield, N.Y.

[73] Assignee: Bausch & Lomb Incorporated,
Rochester, N.Y.

[**] Term: 14 Years

[21] Appl. No.: 774,121

[22] Filed: Sep. 9, 1985

[52] U.S. Cl. D24/17

[58] Field of Search D24/17, 1.1; 351/200,
351/205, 209, 206, 211, 210, 212, 214, 217, 221,
245, 246, 224

[56] References Cited

U.S. PATENT DOCUMENTS

D. 210,417 3/1968 Hoogesteger D24/17 X
D. 218,071 7/1970 Armbruster D24/8 X

Primary Examiner—A. Hugo Word
Assistant Examiner—Stella M. Reid
Attorney, Agent, or Firm—John S. Norton

[57] CLAIM

The ornamental design for an acuity chart projector or the like, substantially as shown and described.

DESCRIPTION

FIG. 1 is a left front perspective view of an acuity chart projector or the like showing my new design; and, FIG. 2 is a right rear perspective view thereof. The bottom of the design is substantially plain and unornamented.

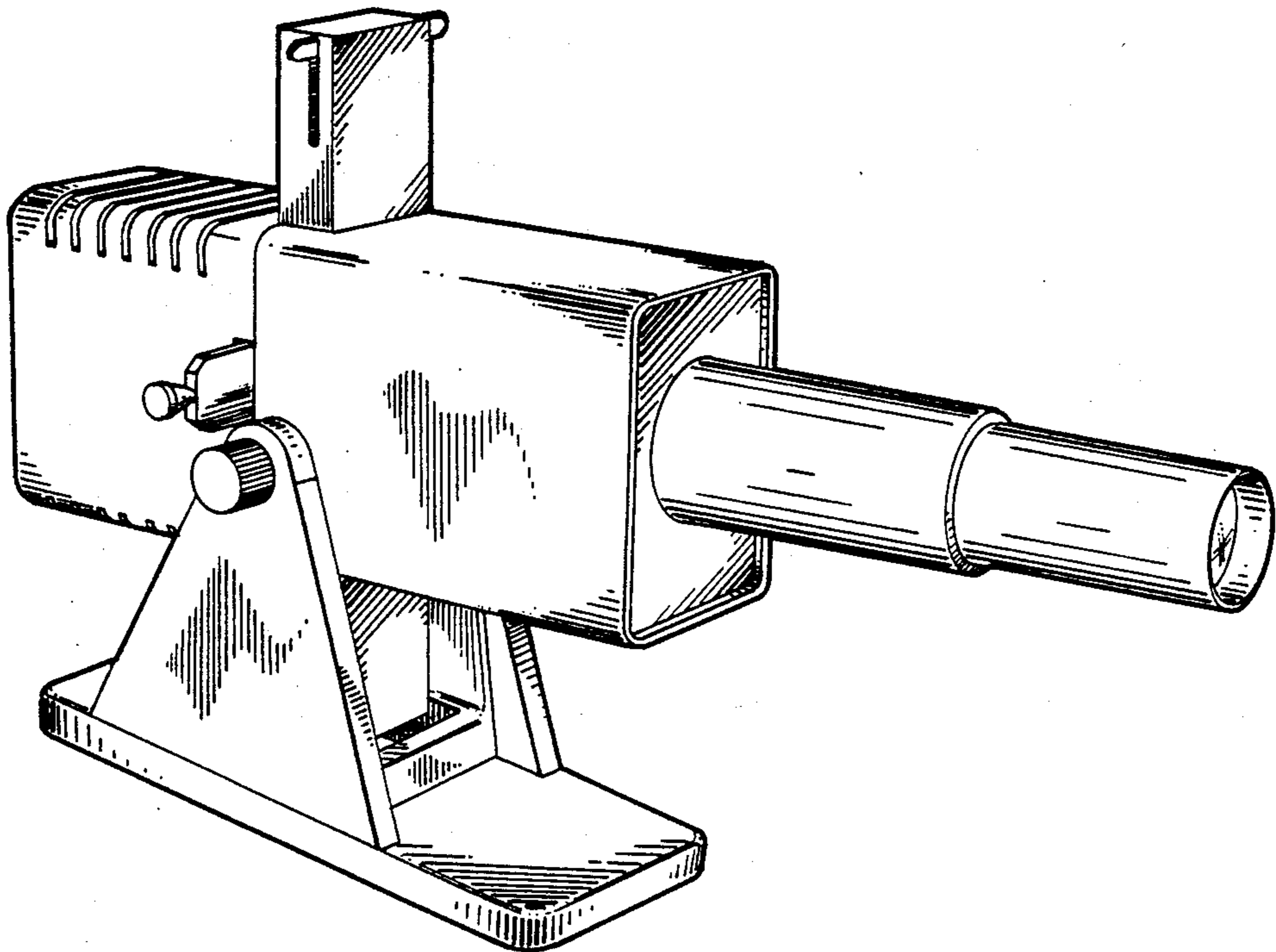


Fig. 1

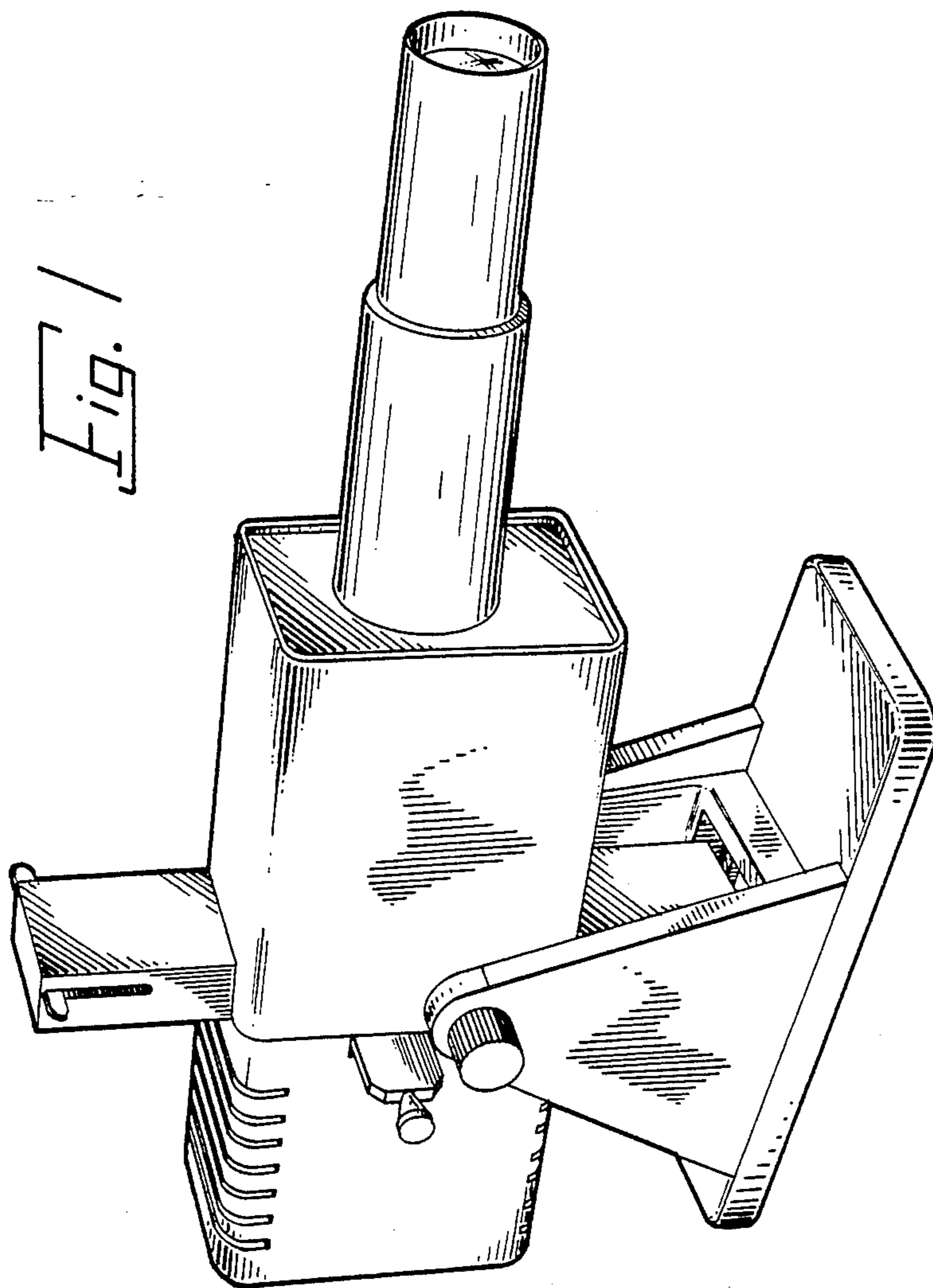


FIG. 2

