

[54] GEL READER FOR AUDIOGRAMS

[75] Inventors: John H. Kreisher, Ridgefield; Martin J. Mattessich, New Haven, both of Conn.

[73] Assignee: International Biotechnologies, Inc., New Haven, Conn.

[**] Term: 14 Years

[21] Appl. No.: 723,209

[22] Filed: Apr. 15, 1985

[52] U.S. Cl. D24/8

[58] Field of Search D24/8, 1.1; 204/299 R, 204/299 EC, 180.1, 193, 182.8; 356/344, 444, 244; 346/33 ME; D10/46

[56] References Cited

U.S. PATENT DOCUMENTS

- D. 210,380 3/1968 Chan D10/46
- D. 210,381 5/1968 Chan D10/46
- D. 270,277 8/1983 Studer D24/1.1

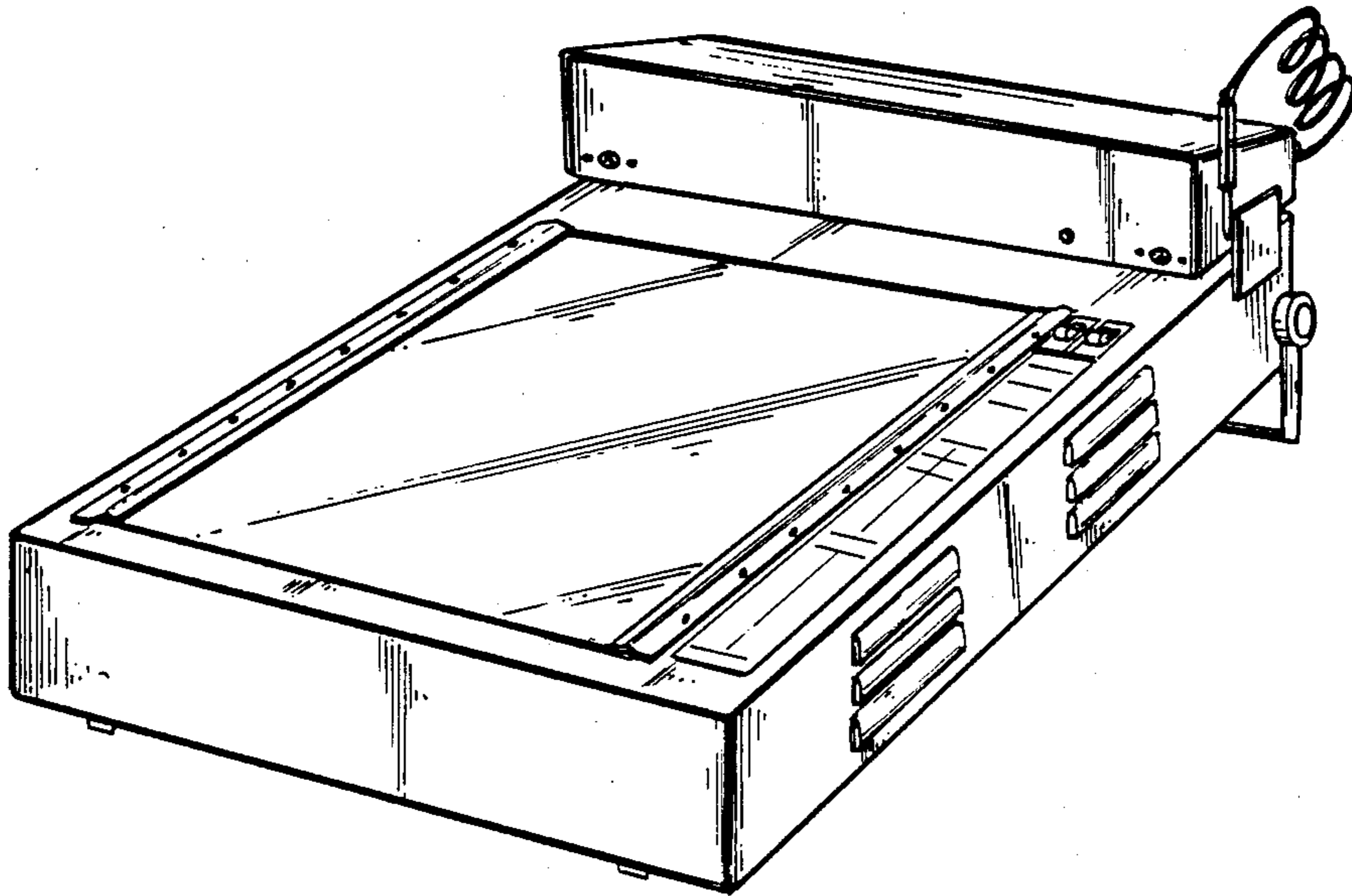
Primary Examiner—A. Hugo Word
Assistant Examiner—Stella M. Reid
Attorney, Agent, or Firm—Bachman & LaPointe

[57] CLAIM

The ornamental design of a gel reader for audiograms, as shown and described.

DESCRIPTION

FIG. 1 is a perspective view of a gel reader for audiograms showing our new design;
FIG. 2 is a right side elevational view thereof;
FIG. 3 is a front elevational view thereof;
FIG. 4 is a left side elevational view thereof;
FIG. 5 is a top plan view thereof;
FIG. 6 is a rear elevational view thereof; and
FIG. 7 is a bottom plan view thereof.



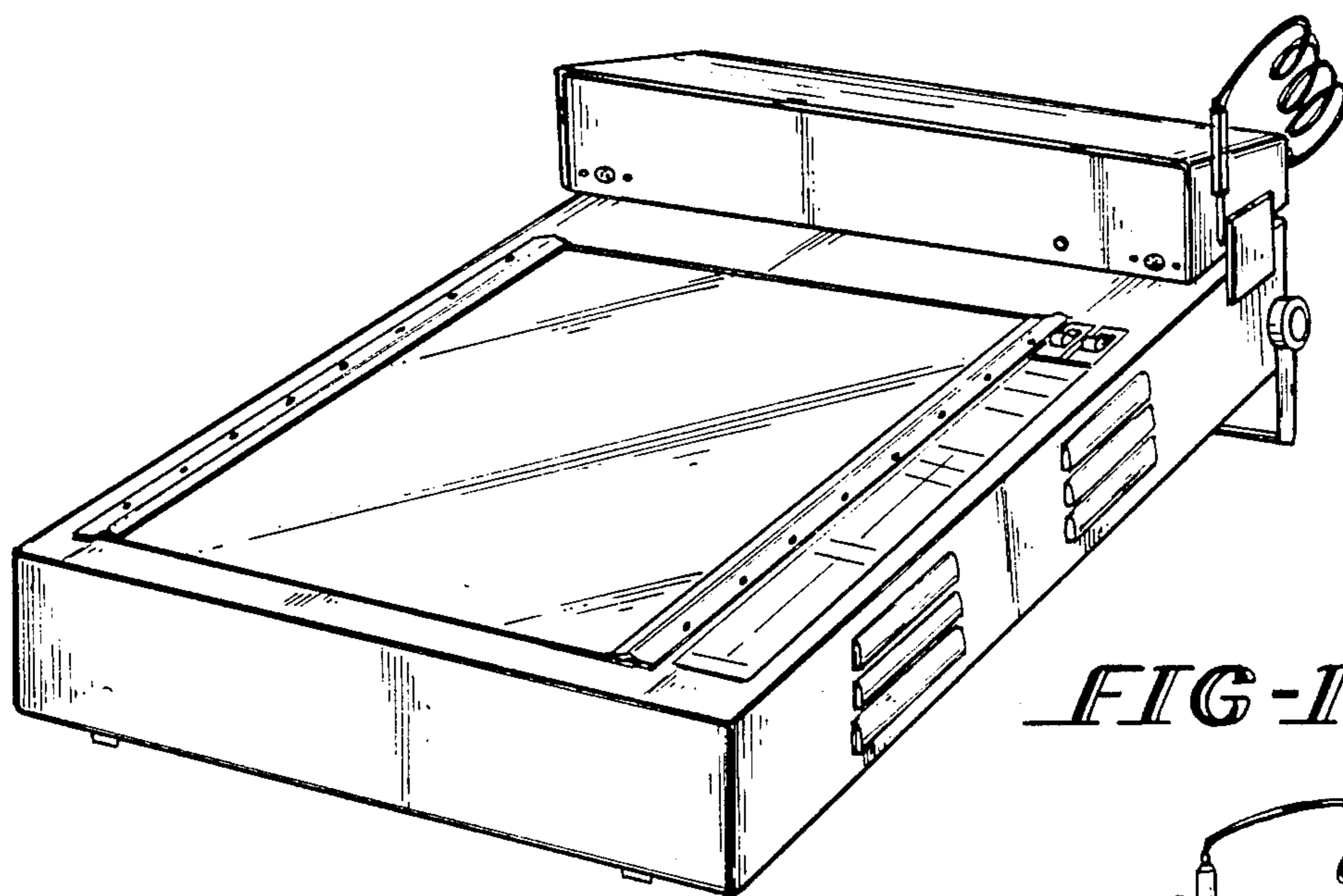


FIG-1

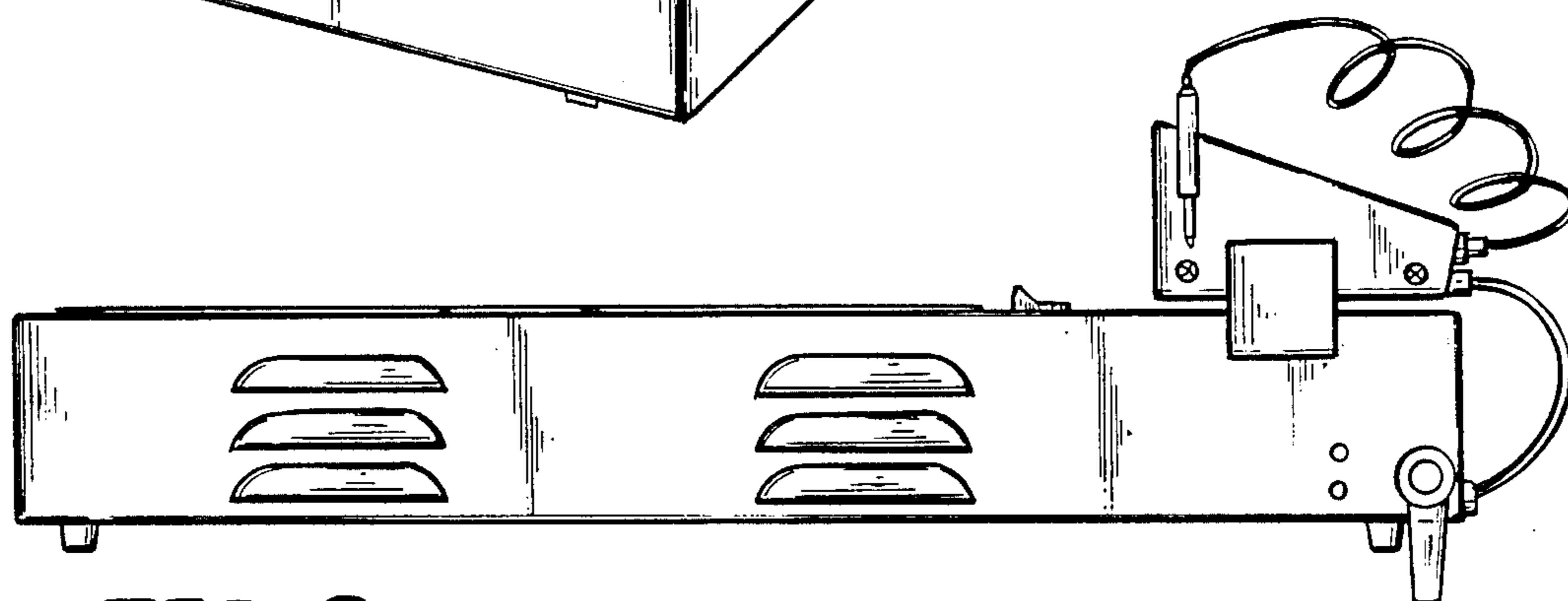


FIG-2

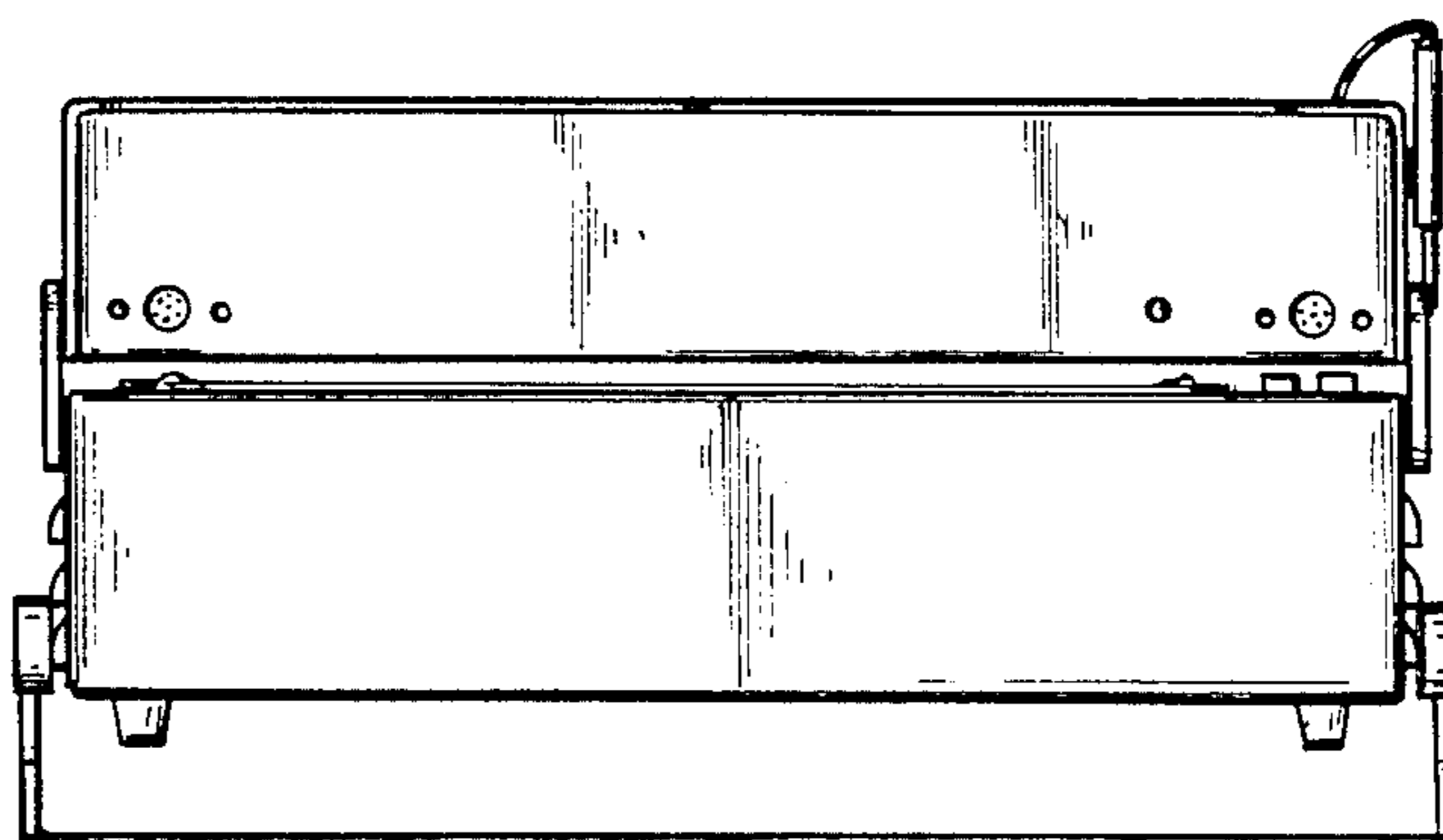


FIG-3

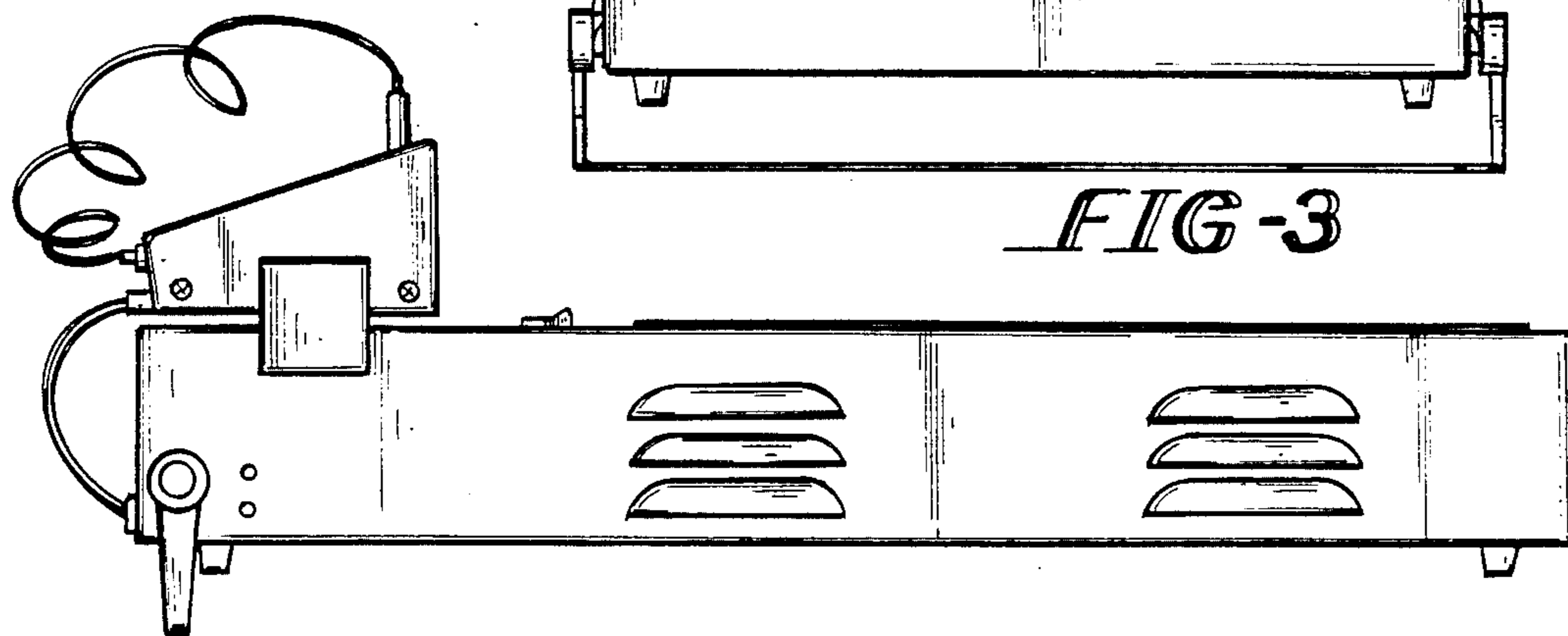


FIG-4

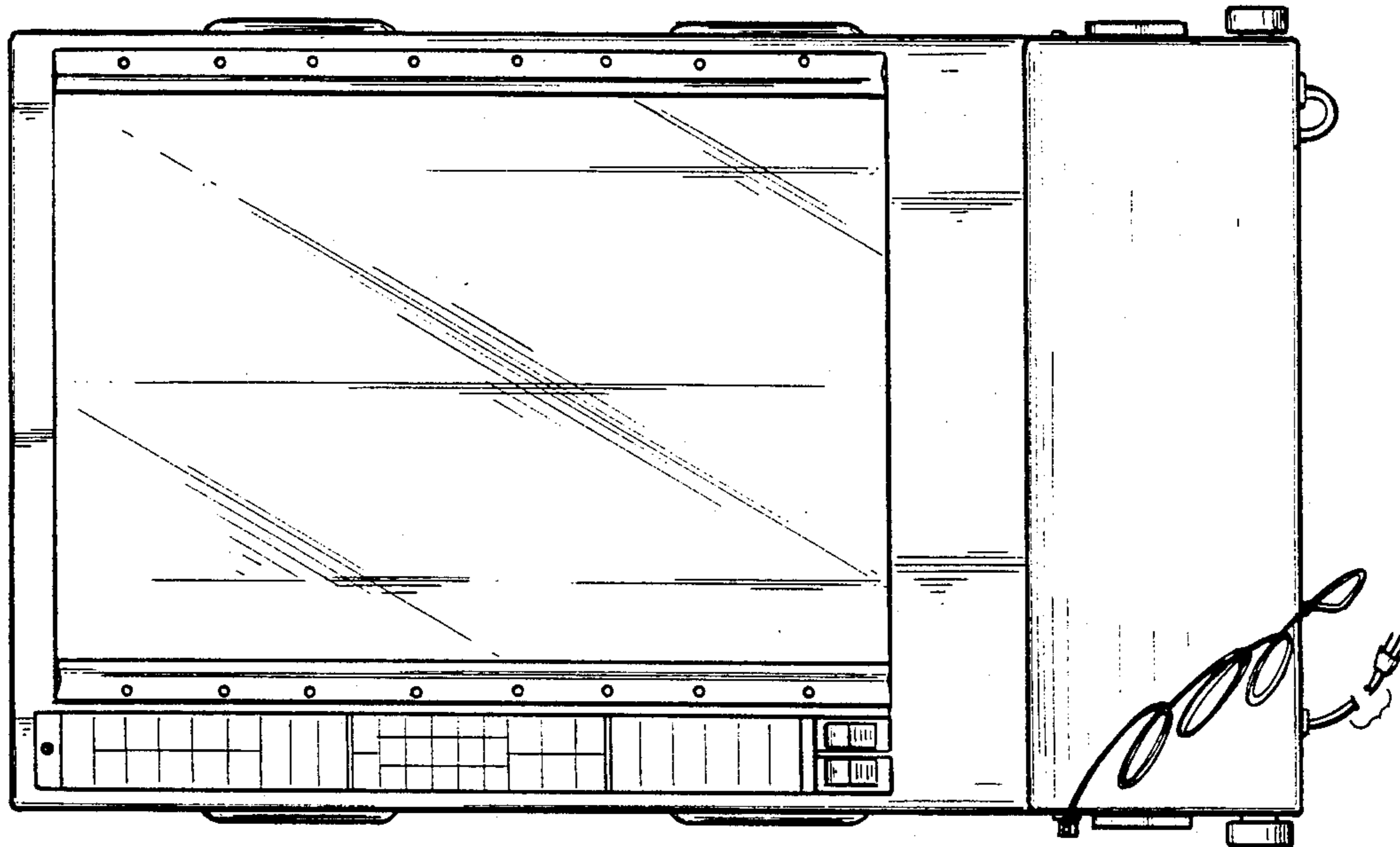


FIG-5

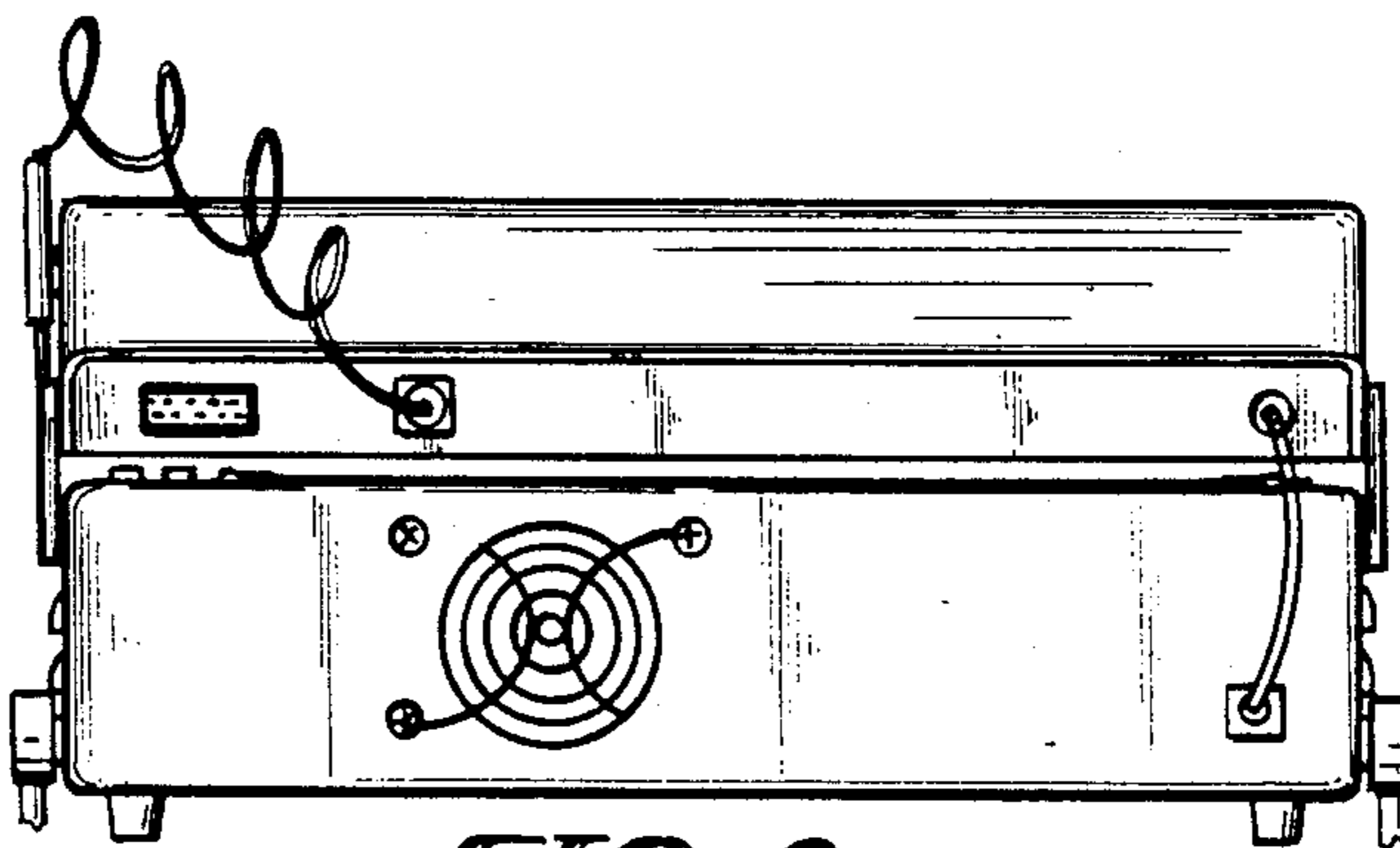


FIG-6

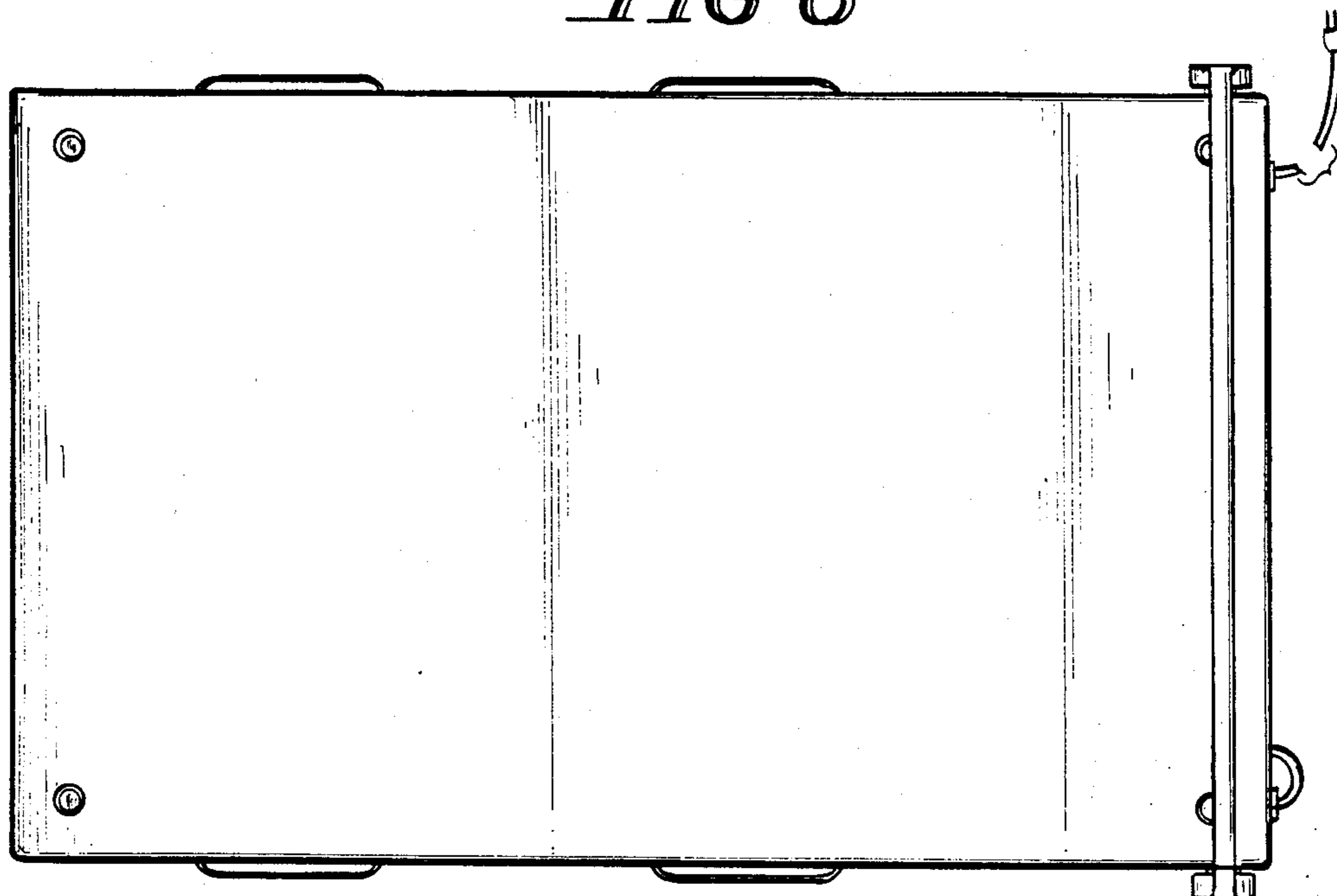


FIG-7