

[54] FISHING REEL

[75] Inventors: Kanji Iinuma; Kyoichi Kaneko; Nobuyuki Yamaguchi; Michiki Kawai, all of Tokyo, Japan

[73] Assignee: Daiwa Seiko, Inc., Tokyo, Japan

[**] Term: 14 Years

[21] Appl. No.: 780,887

[22] Filed: Sep. 27, 1985

[52] U.S. Cl. D22/141

[58] Field of Search 242/84.1 R, 84.2 R, 242/84.2 A; D22/147

[56] References Cited

U.S. PATENT DOCUMENTS

- D. 253,837 1/1980 Hiraishi et al. D22/141
- D. 254,091 1/1980 Jansson et al. D22/141
- D. 270,934 10/1983 Iinuma D22/141

Primary Examiner—A. Hugo Word

Attorney, Agent, or Firm—Cushman, Darby & Cushman

[57] CLAIM

The ornamental design for a fishing reel, substantially as shown and described.

DESCRIPTION

FIG. 1 is a top, front and one side perspective view of a fishing reel showing our new design;
 FIG. 2 is a side elevation view of one side thereof;
 FIG. 3 is a side elevation view of the opposite side thereof;
 FIG. 4 is a front elevation view thereof;
 FIG. 5 is a rear elevation view thereof;
 FIG. 6 is a top plan view thereof;
 FIG. 7 is a bottom plan view thereof;
 FIG. 8 is a side elevation view of one side of yet another embodiment showing our new design;
 FIG. 9 is a side elevation view of the opposite side thereof;
 FIG. 10 is a front elevation view thereof;
 FIG. 11 is a rear elevation view thereof;
 FIG. 12 is a top plan view thereof; and
 FIG. 13 is a bottom plan view thereof.

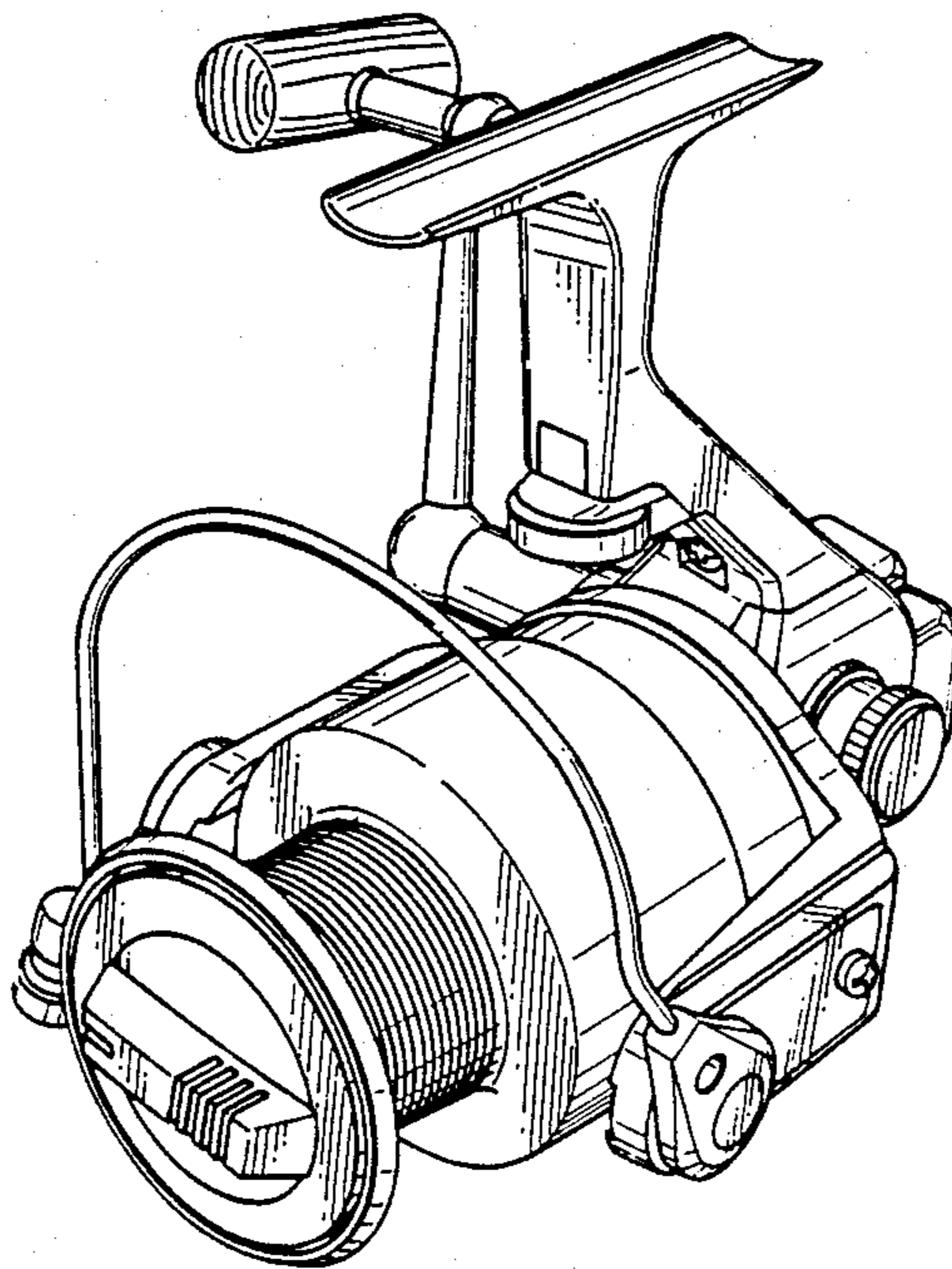


Fig. 1

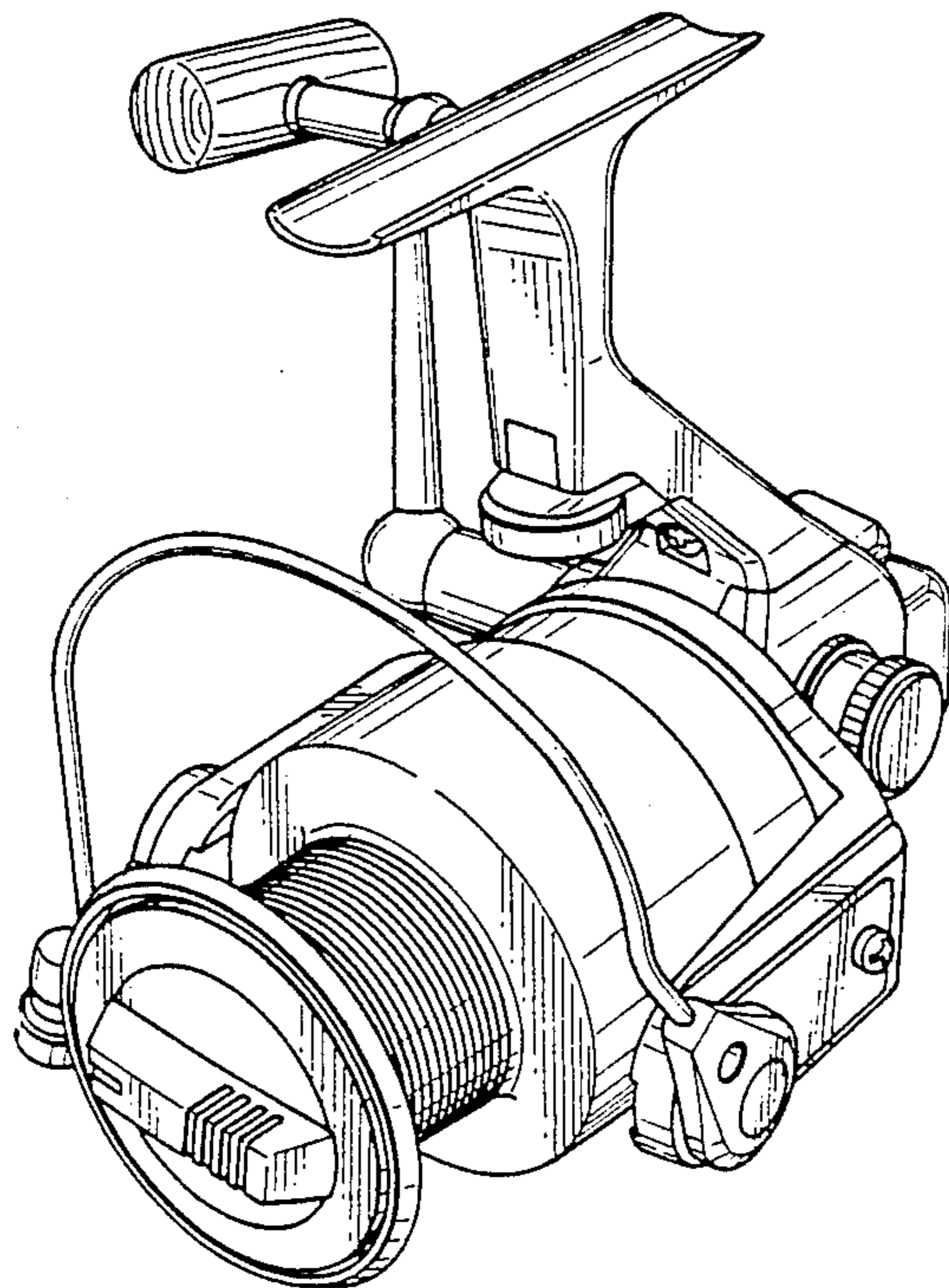


Fig. 2

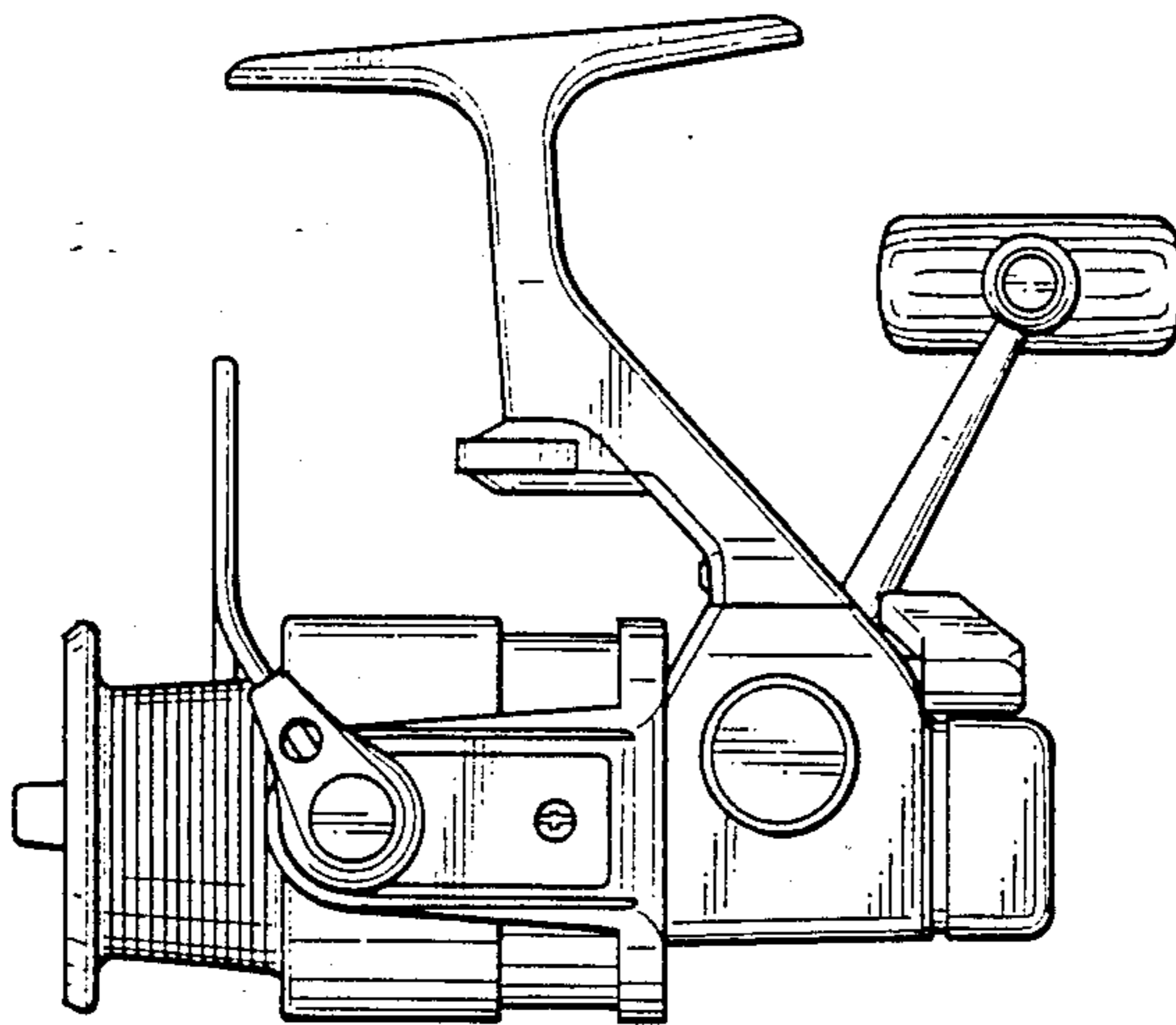


Fig. 3

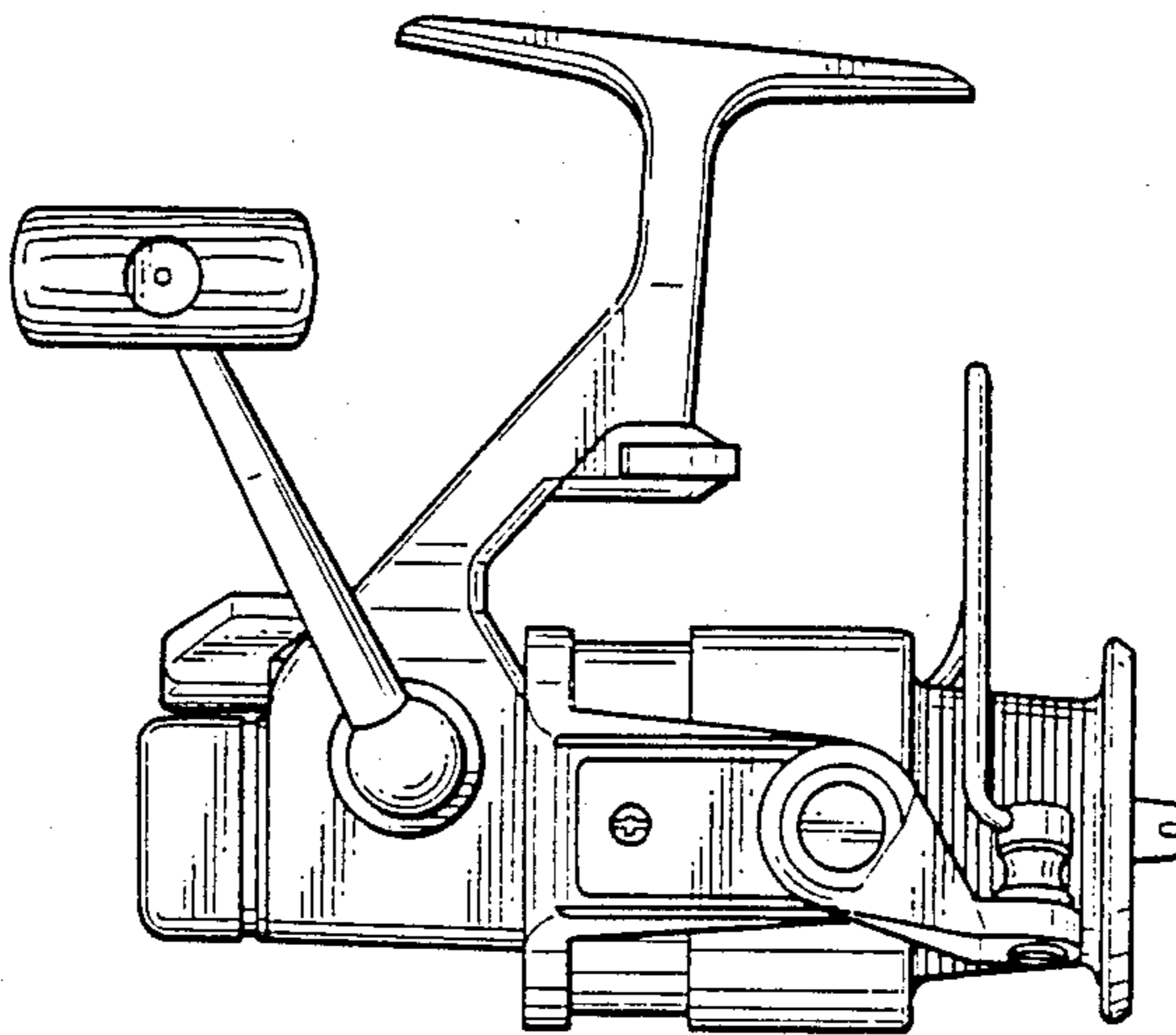


Fig. 4

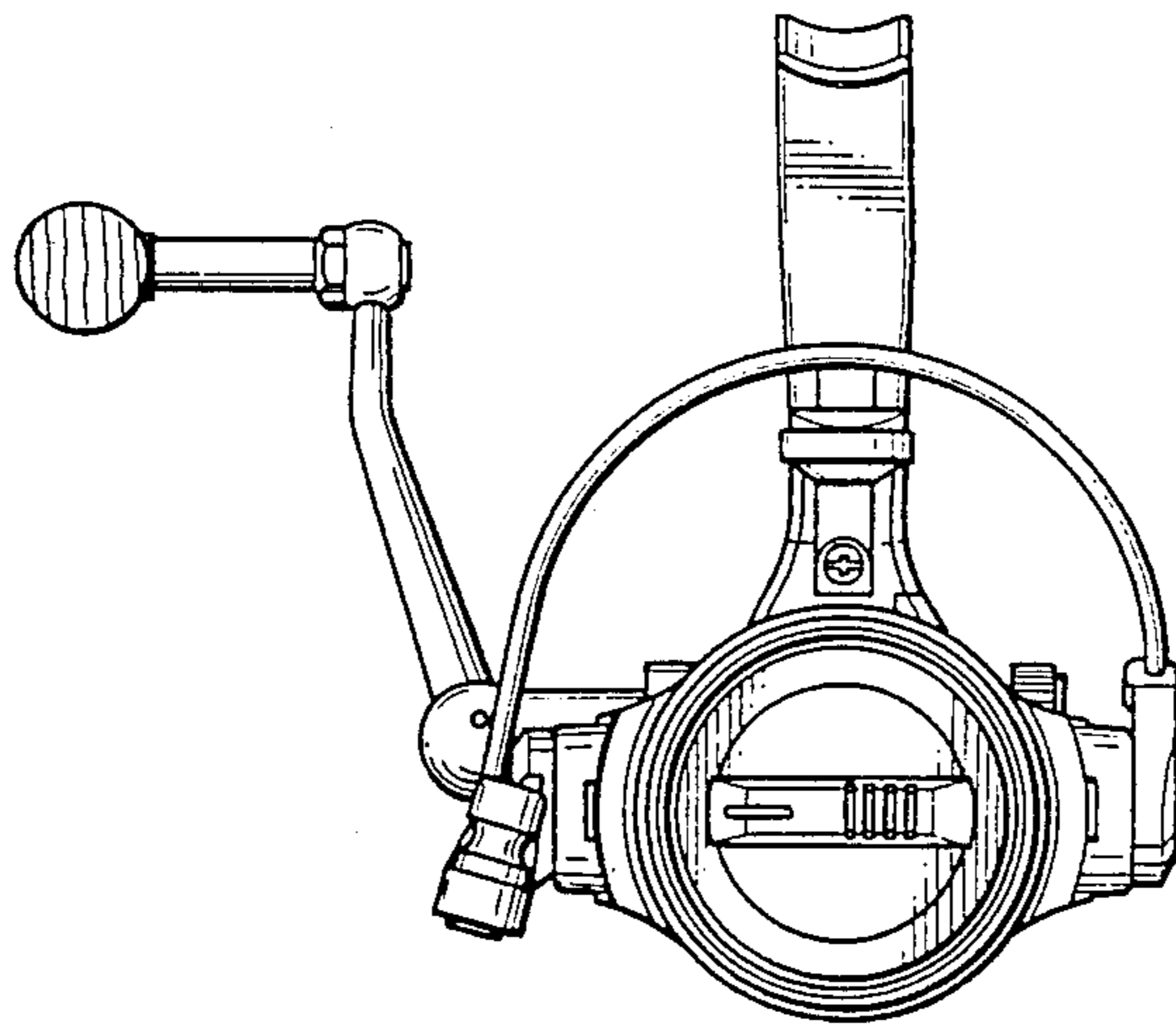


Fig. 5

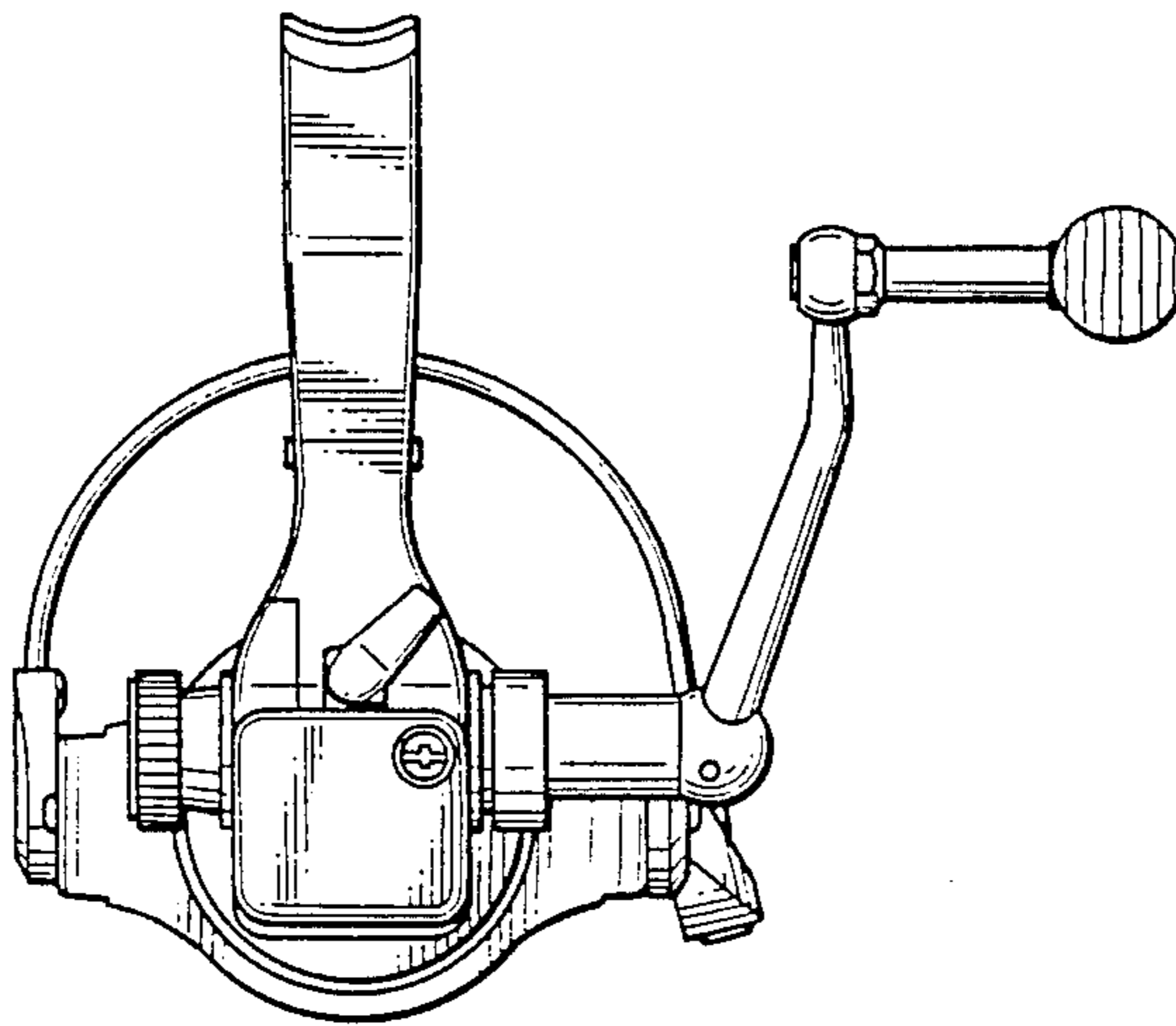


Fig. 6

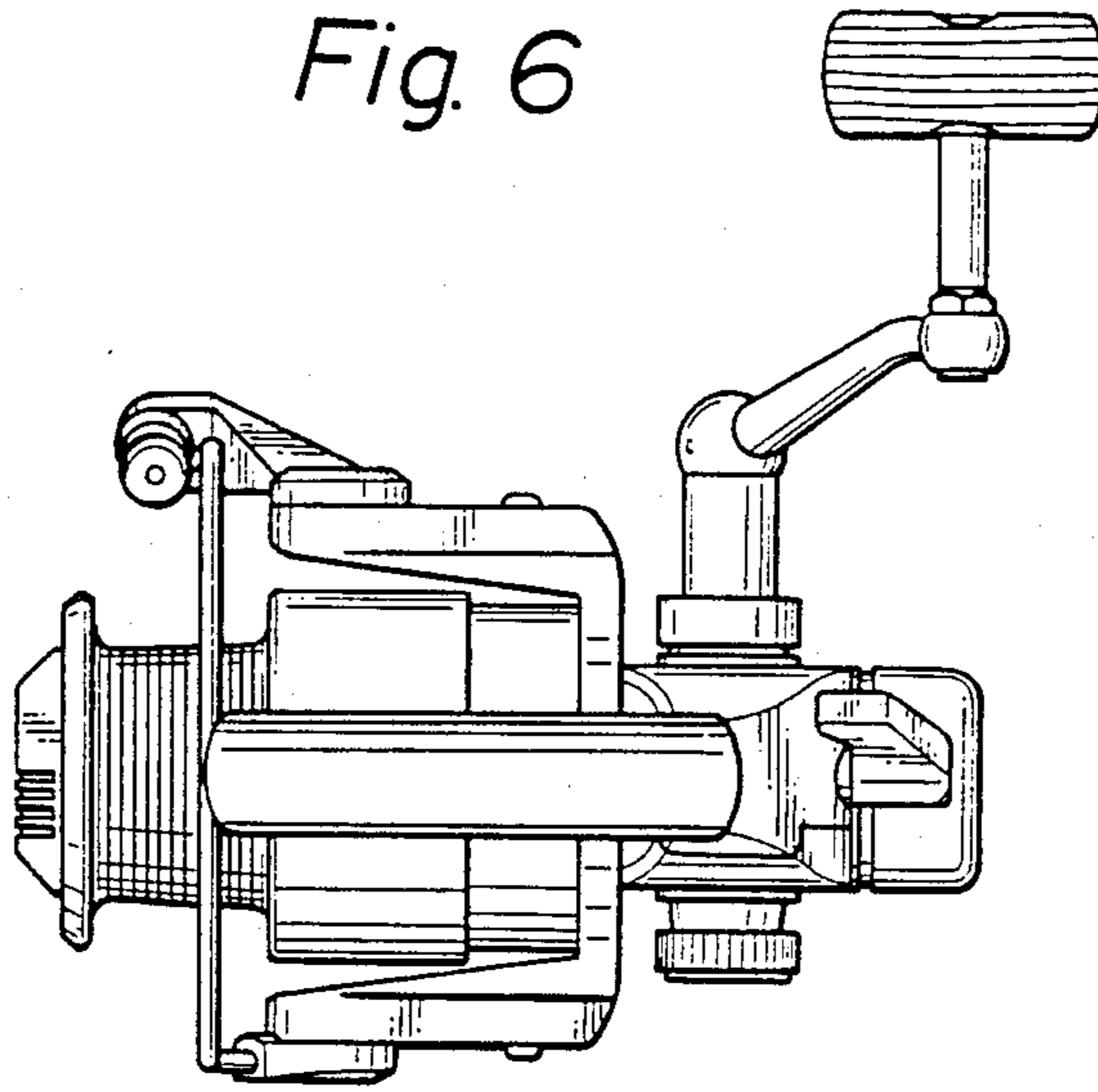


Fig. 7

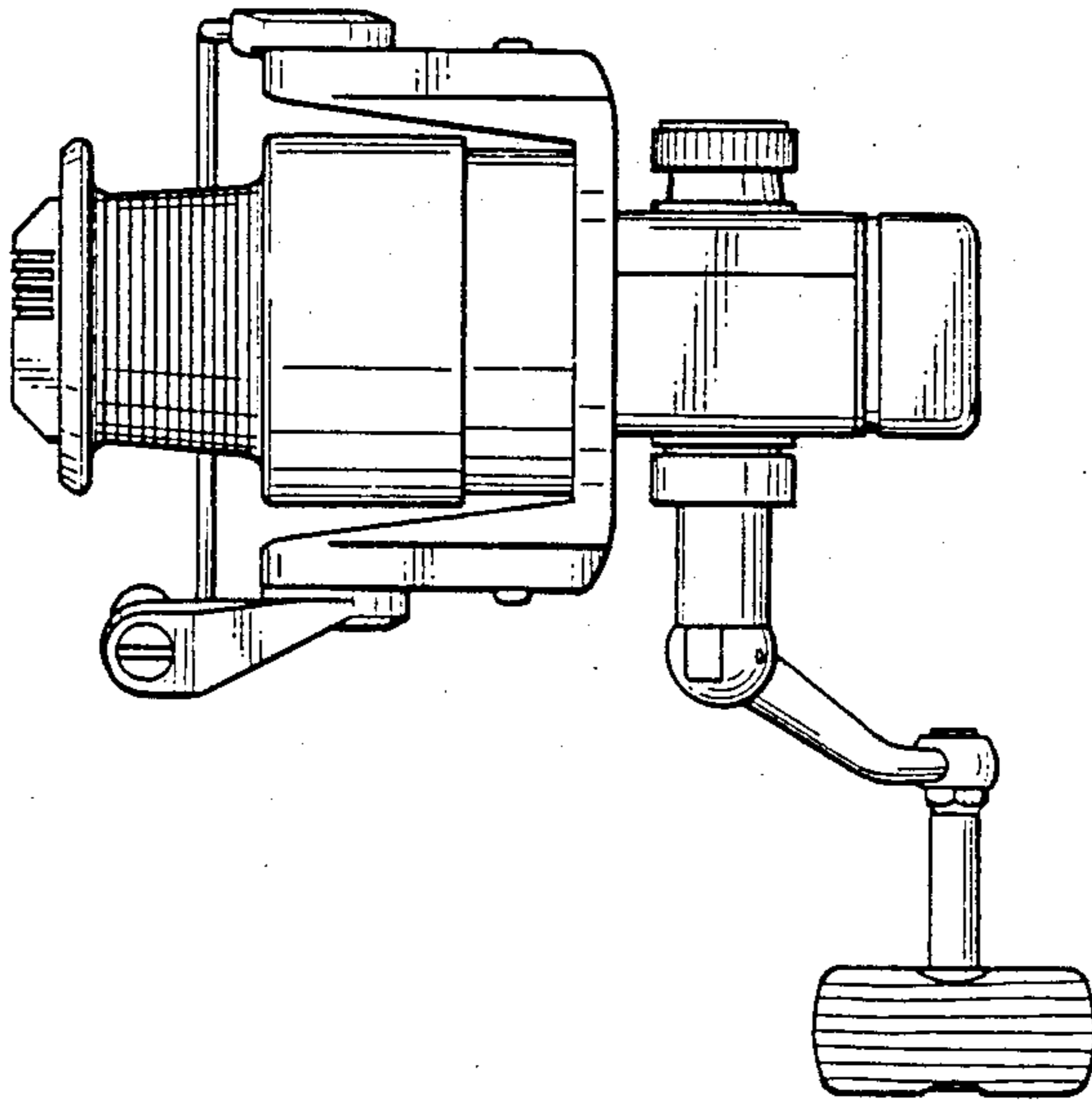


Fig. 8

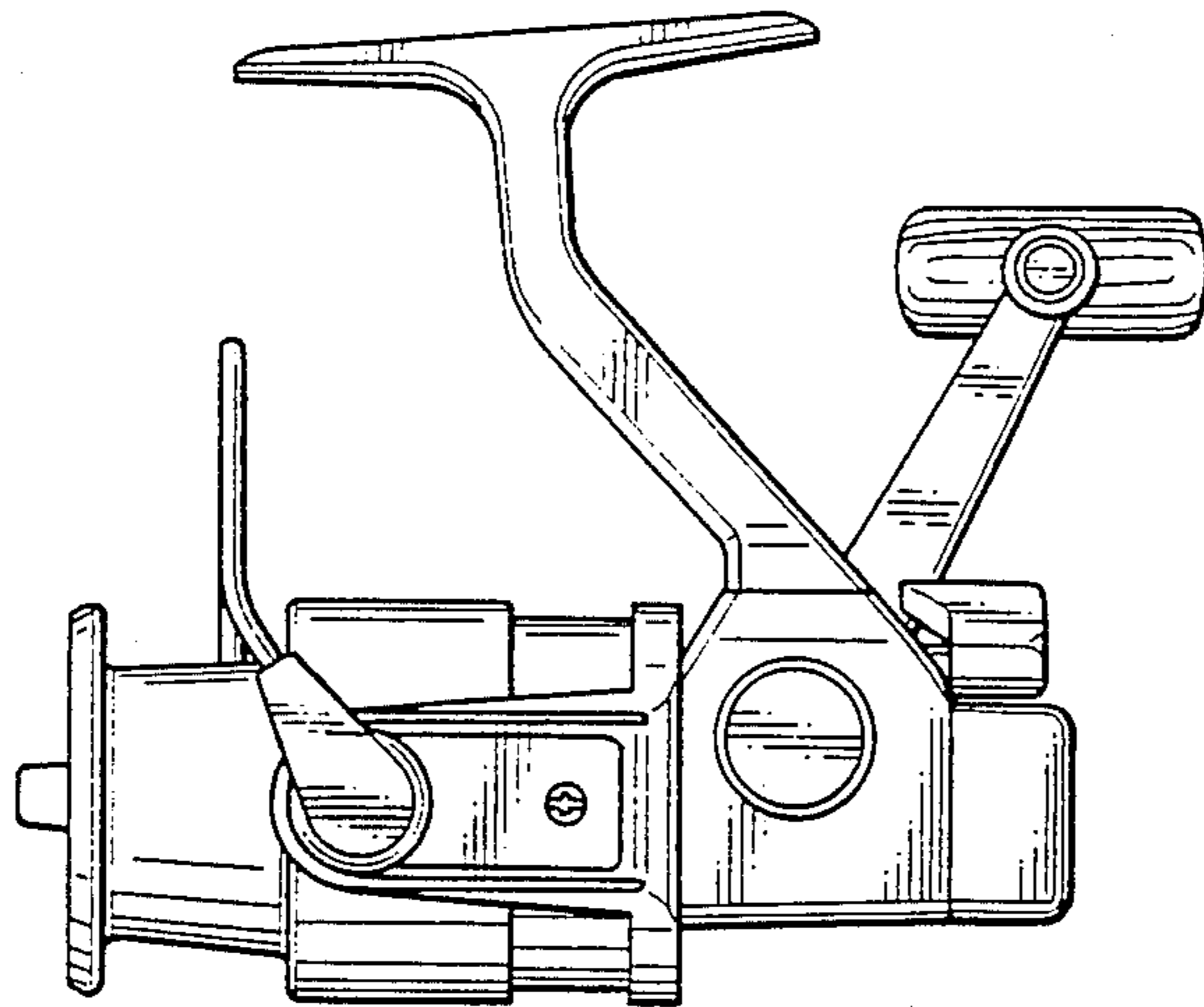


Fig. 9

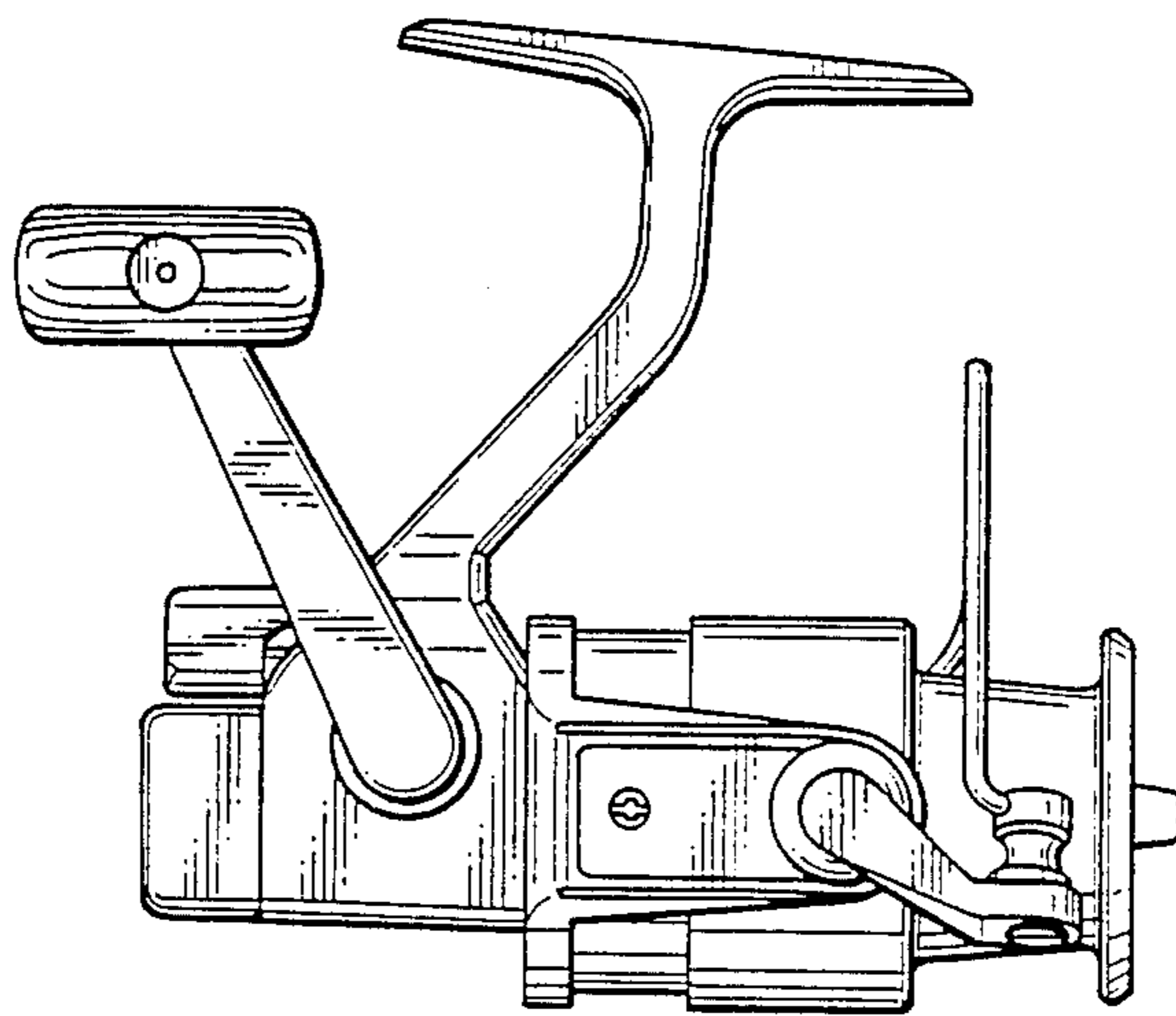


Fig. 10

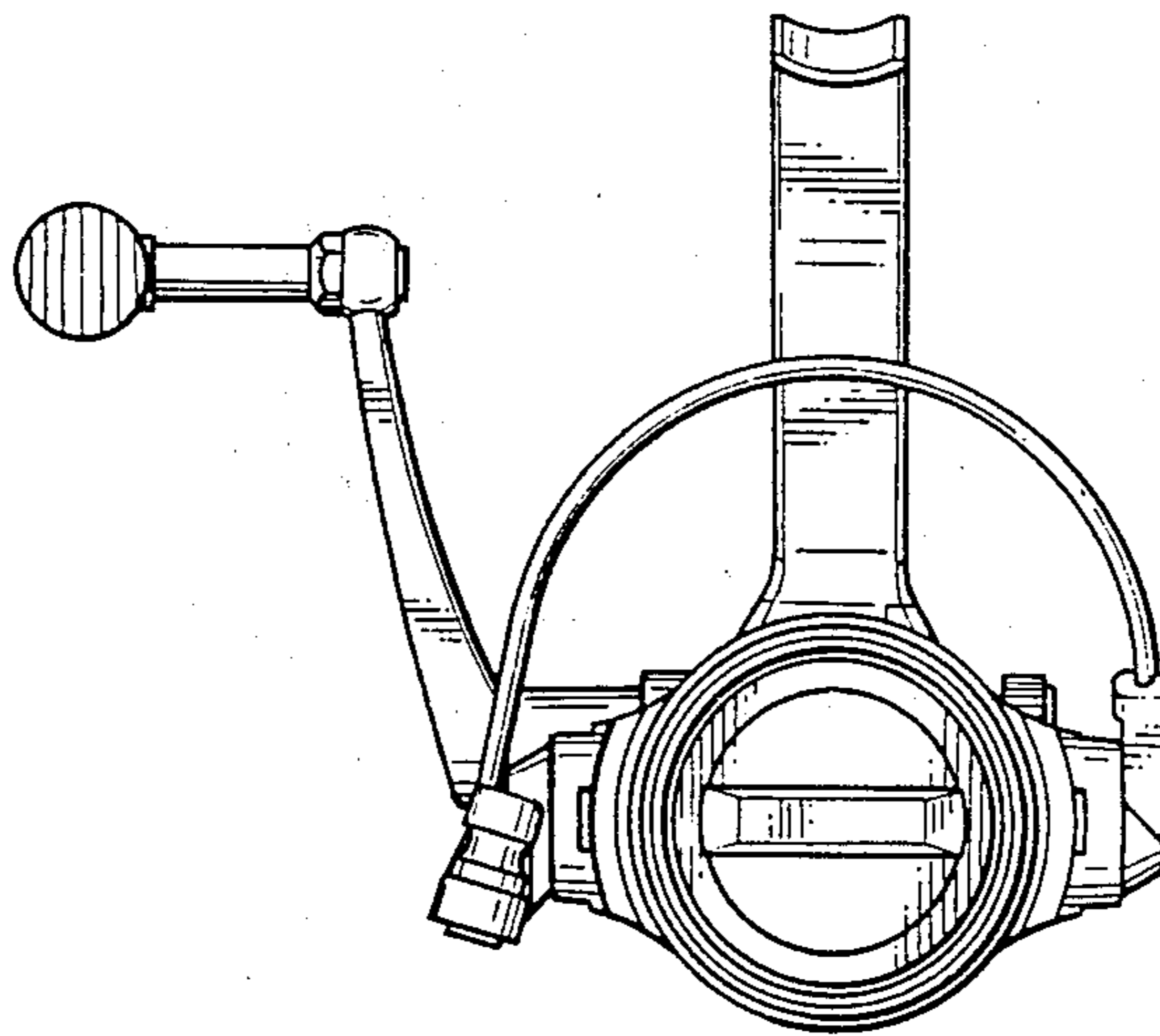


Fig. 11

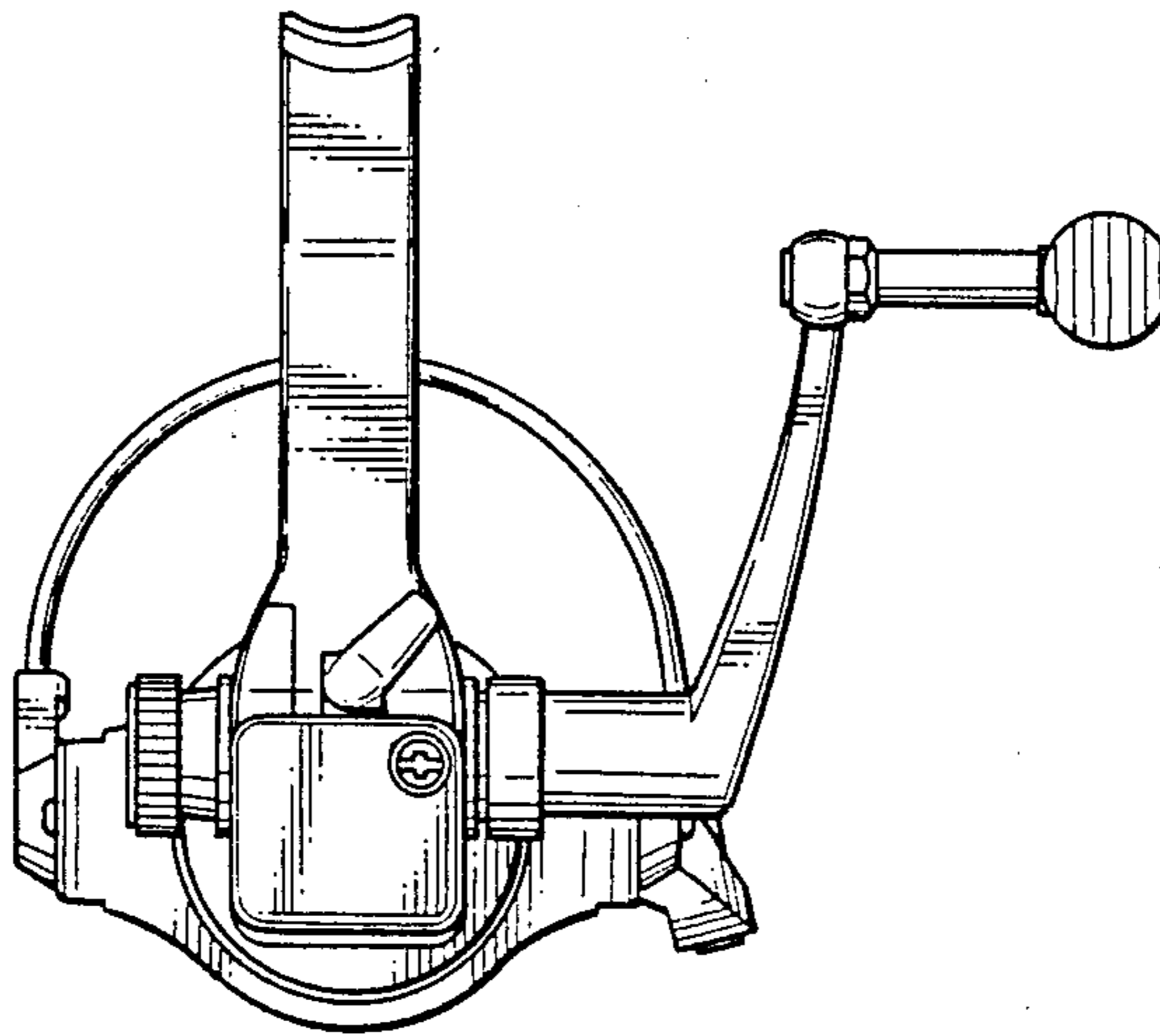


Fig. 12

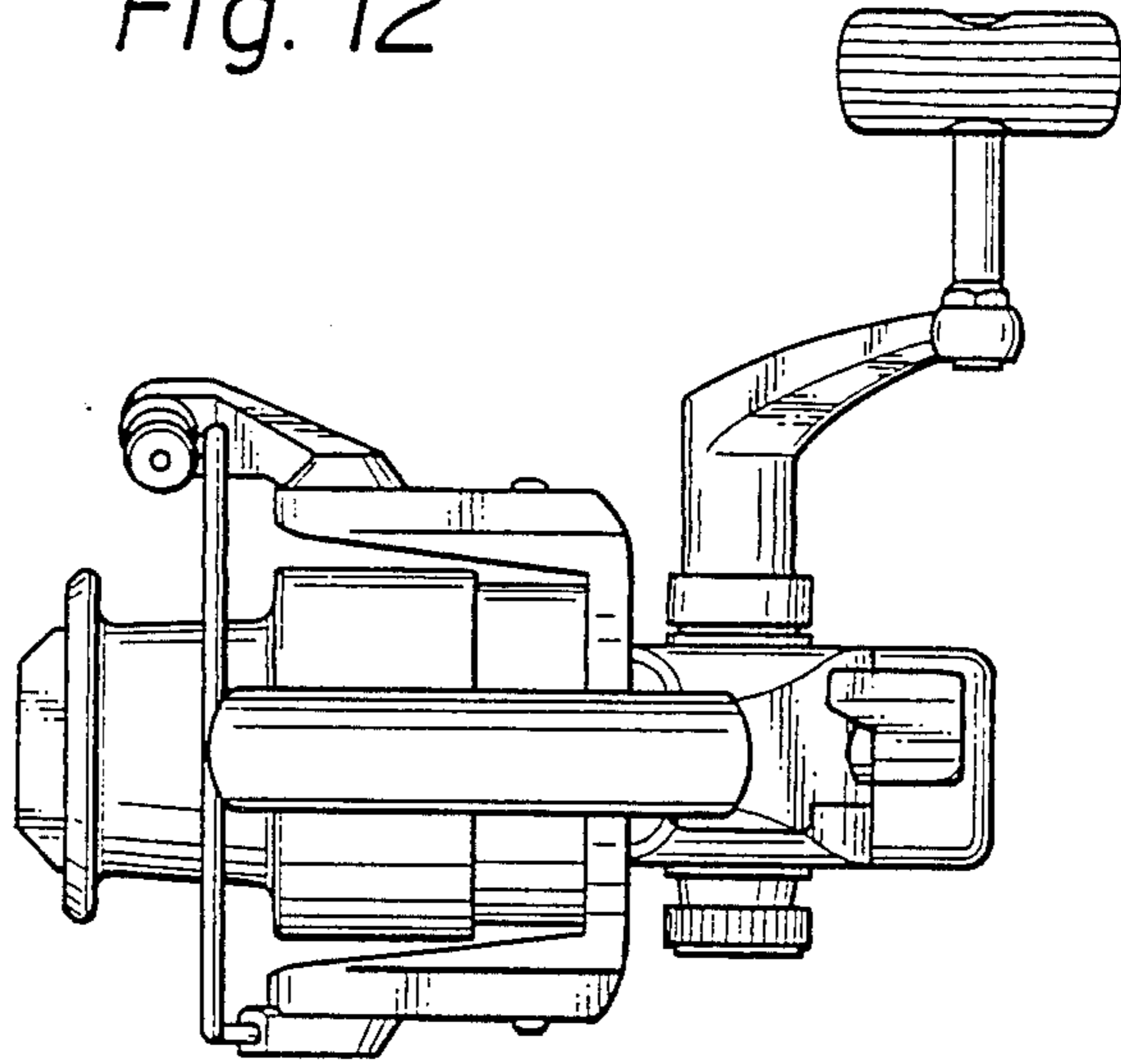
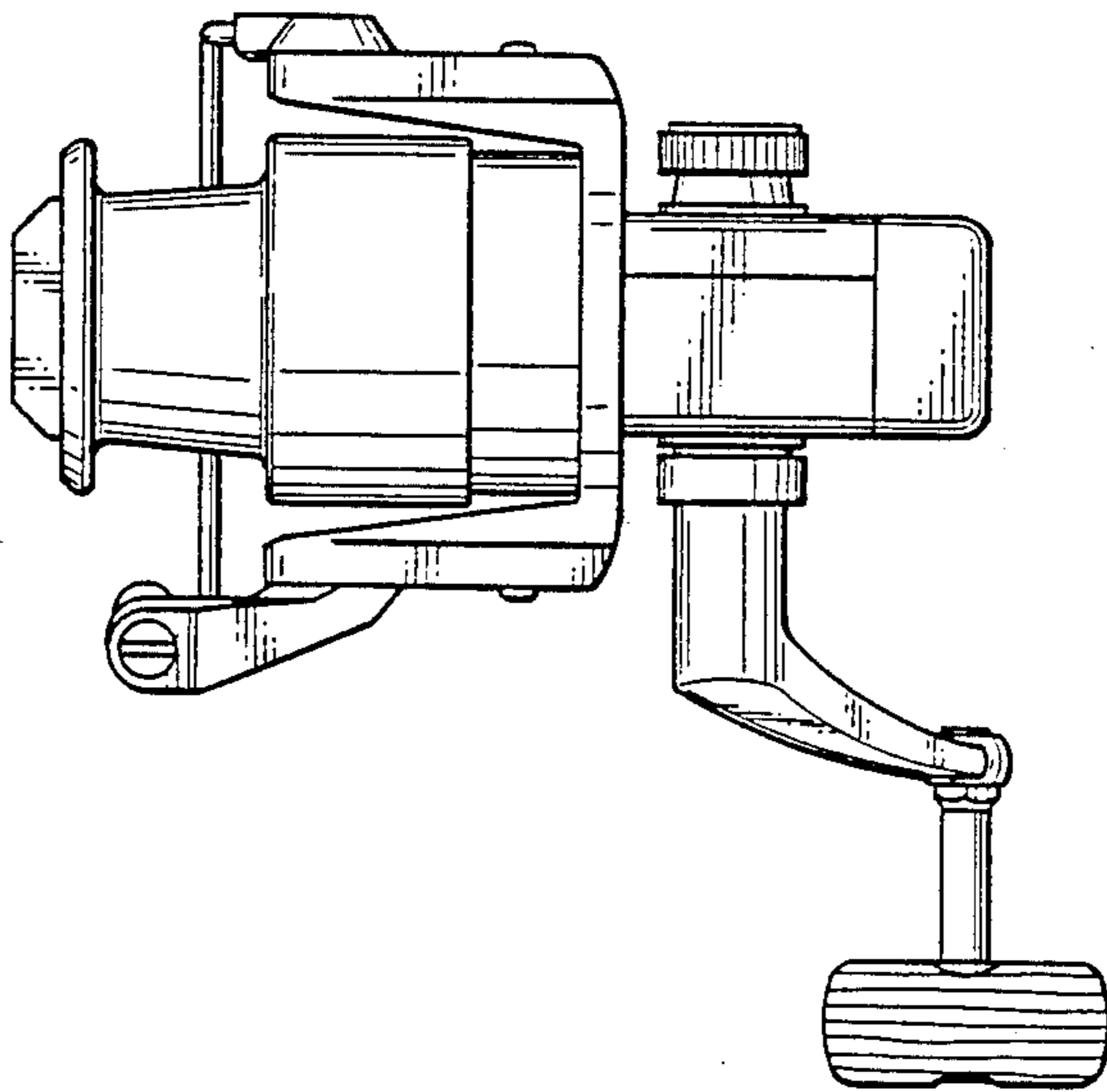


Fig. 13



UNITED STATES PATENT AND TRADEMARK OFFICE
CERTIFICATE OF CORRECTION

PATENT NO. : Des. 294,855
DATED : March 22, 1988
INVENTOR(S) : Iinuma et al.

It is certified that error appears in the above-identified patent and that said Letters Patent is hereby corrected as shown below:

On the Title Page, between the lines beginning [22] and [52], insert the following priority information that was inadvertently omitted:

--[30] Foreign Application Priority Data

April 2, 1985 [JP] Japan 60-13349
August 29, 1985 [JP] Japan 60-36669--.

**Signed and Sealed this
Eleventh Day of October, 1988**

Attest:

Attesting Officer

DONALD J. QUIGG

Commissioner of Patents and Trademarks