

[54] GOLF CLUB HEAD

[76] Inventor: Anthony J. Antonious, 205 E. Joppa Rd., Towson, Md. 21204

[**] Term: 14 Years

[21] Appl. No.: 691,056

[22] Filed: Jan. 14, 1985

[52] U.S. Cl. D21/217

[58] Field of Search D21/214-220;
273/167-175

[56] References Cited

U.S. PATENT DOCUMENTS

D. 240,249 6/1976 Chellman D21/219

OTHER PUBLICATIONS

Par Golf 1968 Golf Cat., p. 27, top right, item E, "Gooseneck" Mallet.

Northwestern 1976 Golf Cat., p. 27, middle top, item 390-2600, Mallet Putter.

Spalding 1971 Golf Professional Cat., p. 30, circular inset.

Primary Examiner—Melvin B. Feifer
Attorney, Agent, or Firm—N. J. Aquilino

[57] CLAIM

The ornamental design for a golf club head, as shown and described.

DESCRIPTION

FIG. 1 is a rear elevational view of the golf club head showing my new design.

FIG. 2 is an end elevational view thereof.

FIG. 3 is a top plan view thereof.

FIG. 4 is an end elevational view taken from the opposite side of FIG. 2.

FIG. 5 is a bottom view thereof.

FIG. 6 is a front elevational view thereof.

FIG. 7 is a sectional view taken through lines 7—7 of FIG. 6.

The characteristic feature of my design resides in the particular configuration of the rear cavity portion.

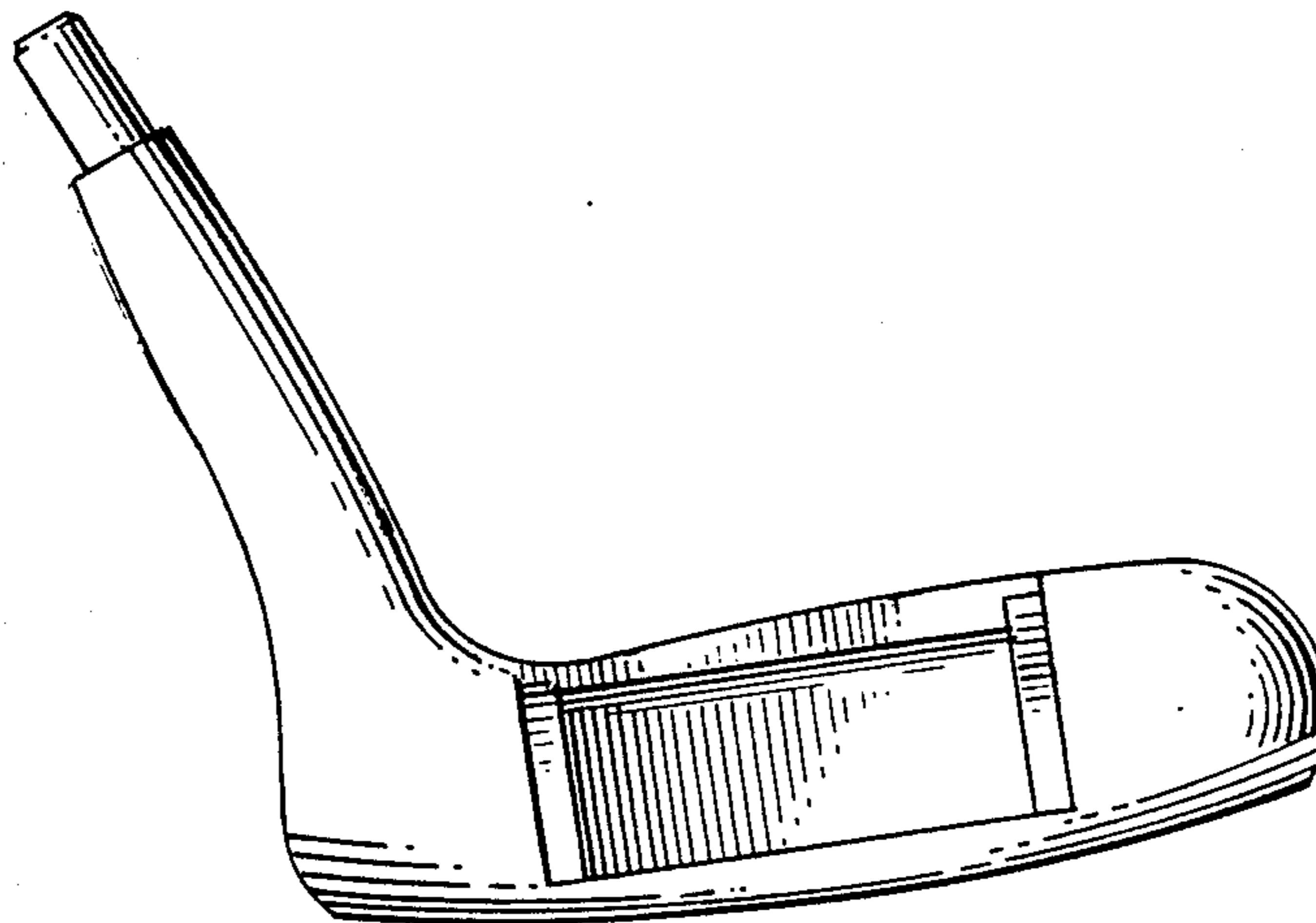


FIG. 1.

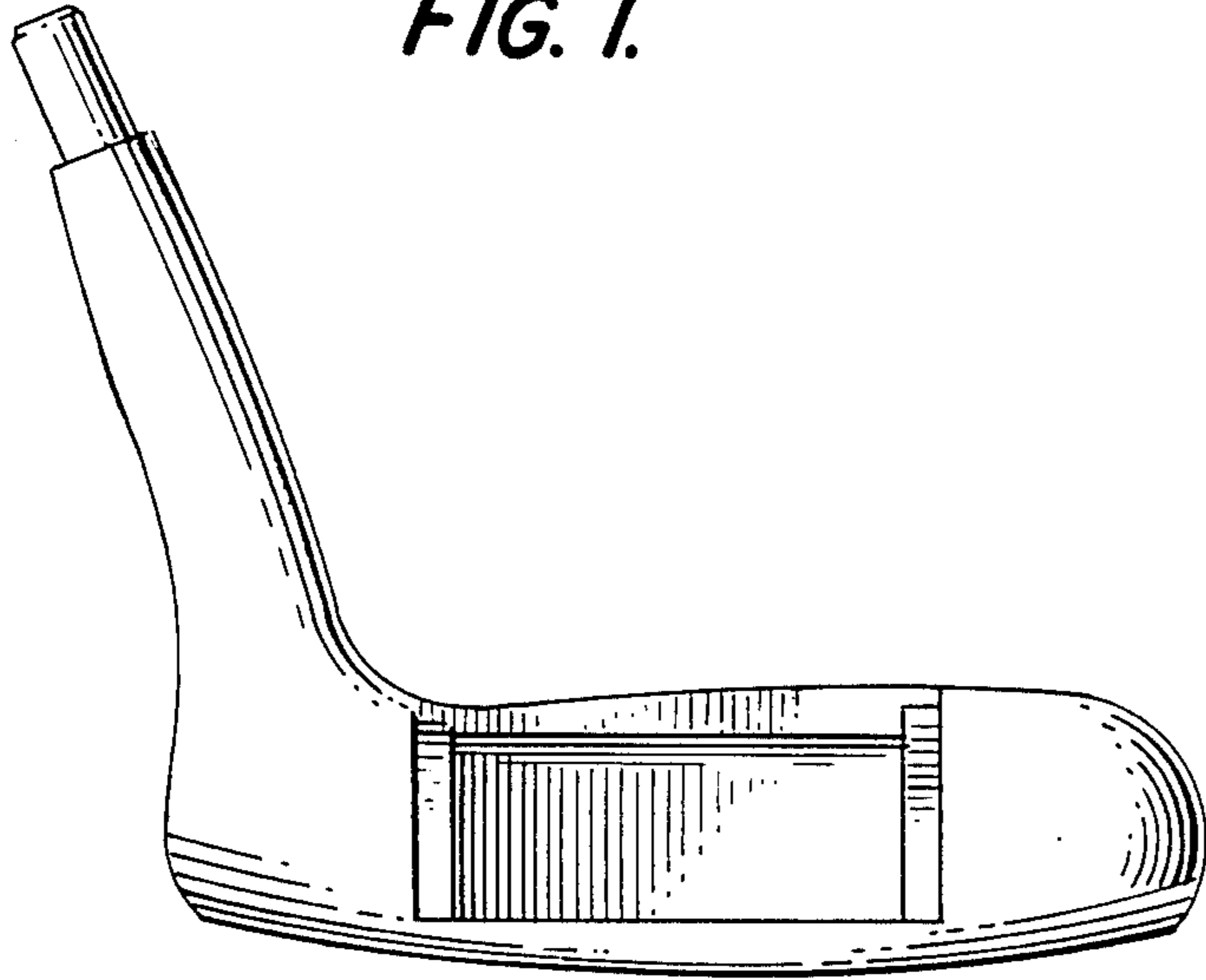


FIG. 2.

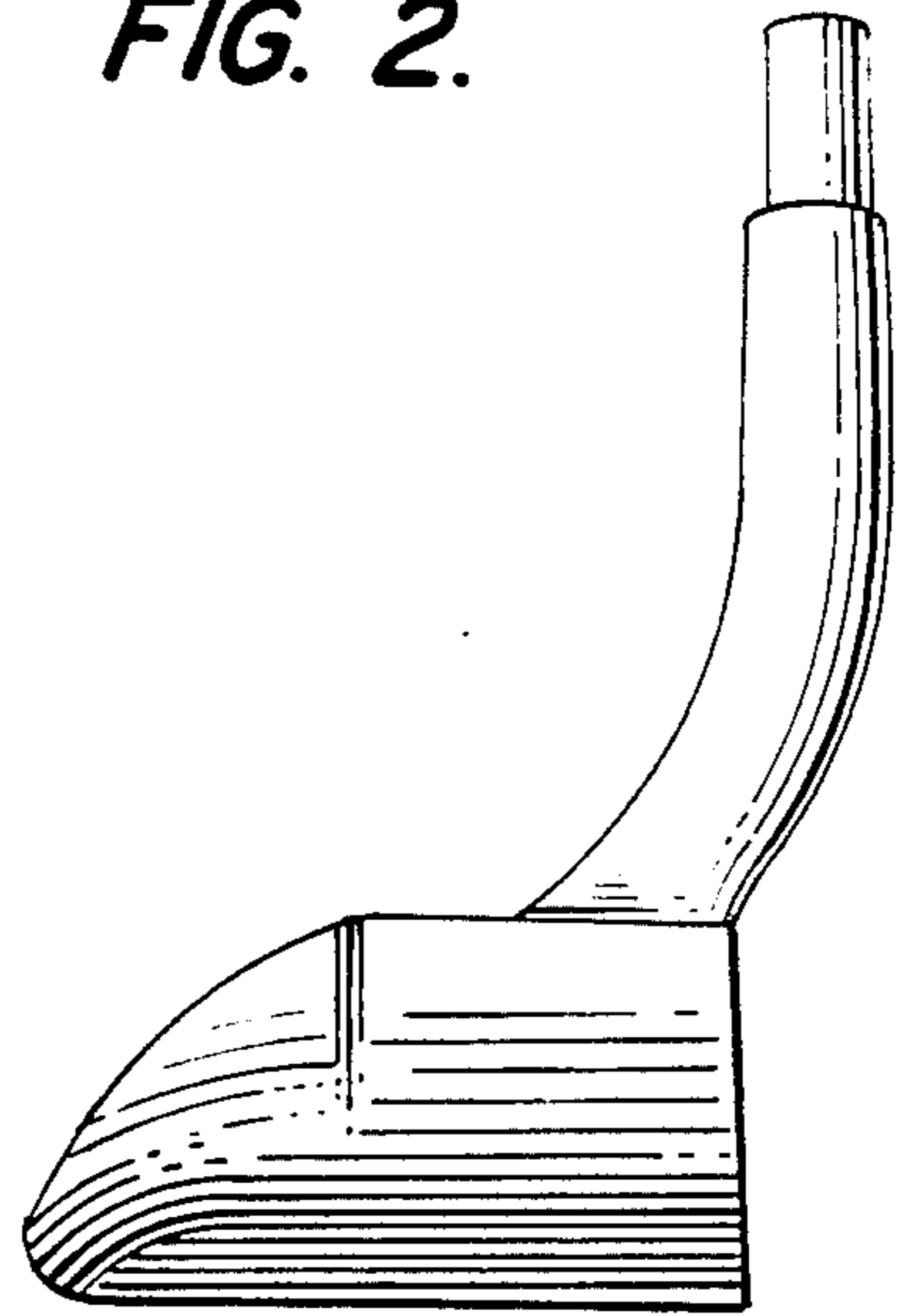


FIG. 3.

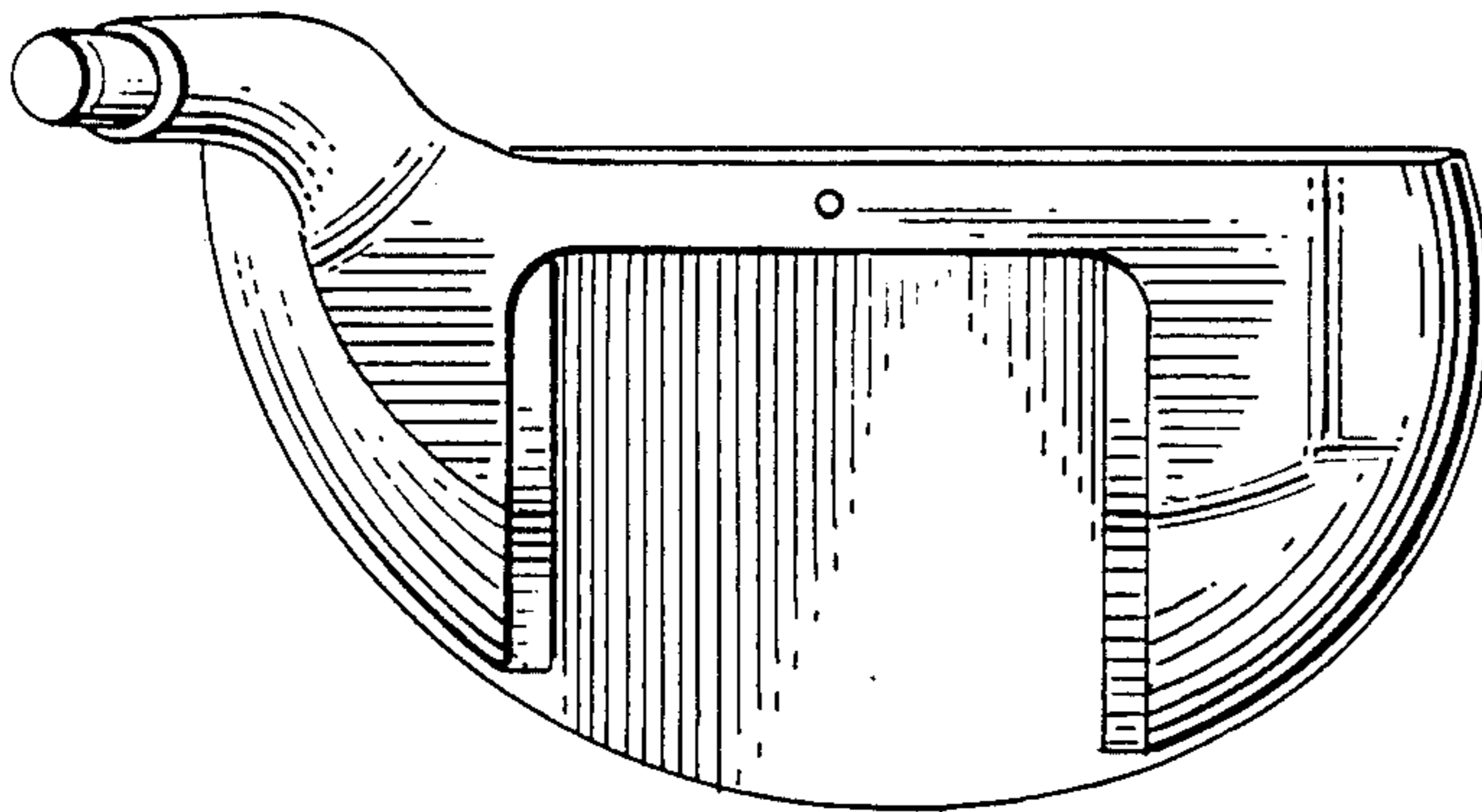


FIG. 4.

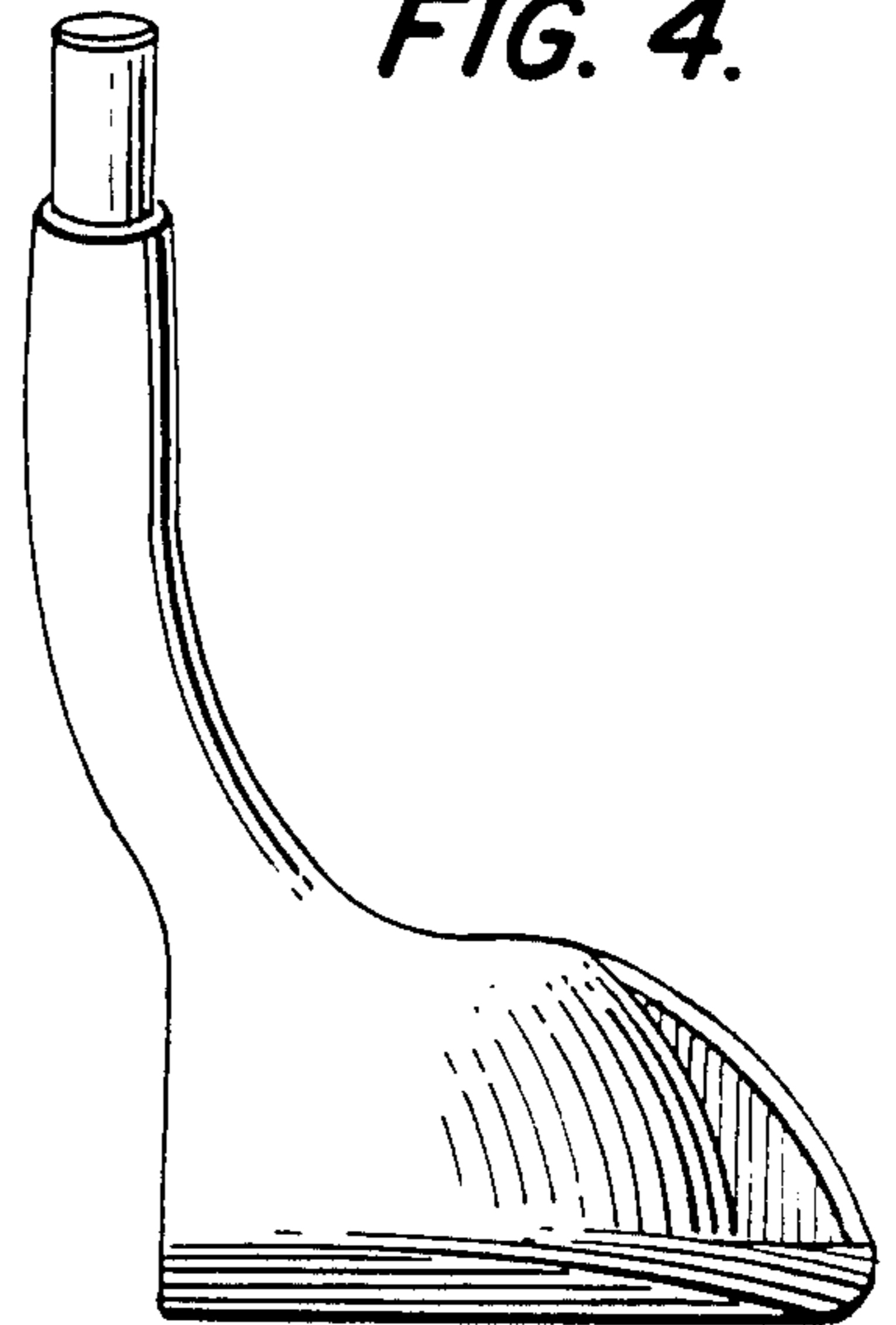


FIG. 5.

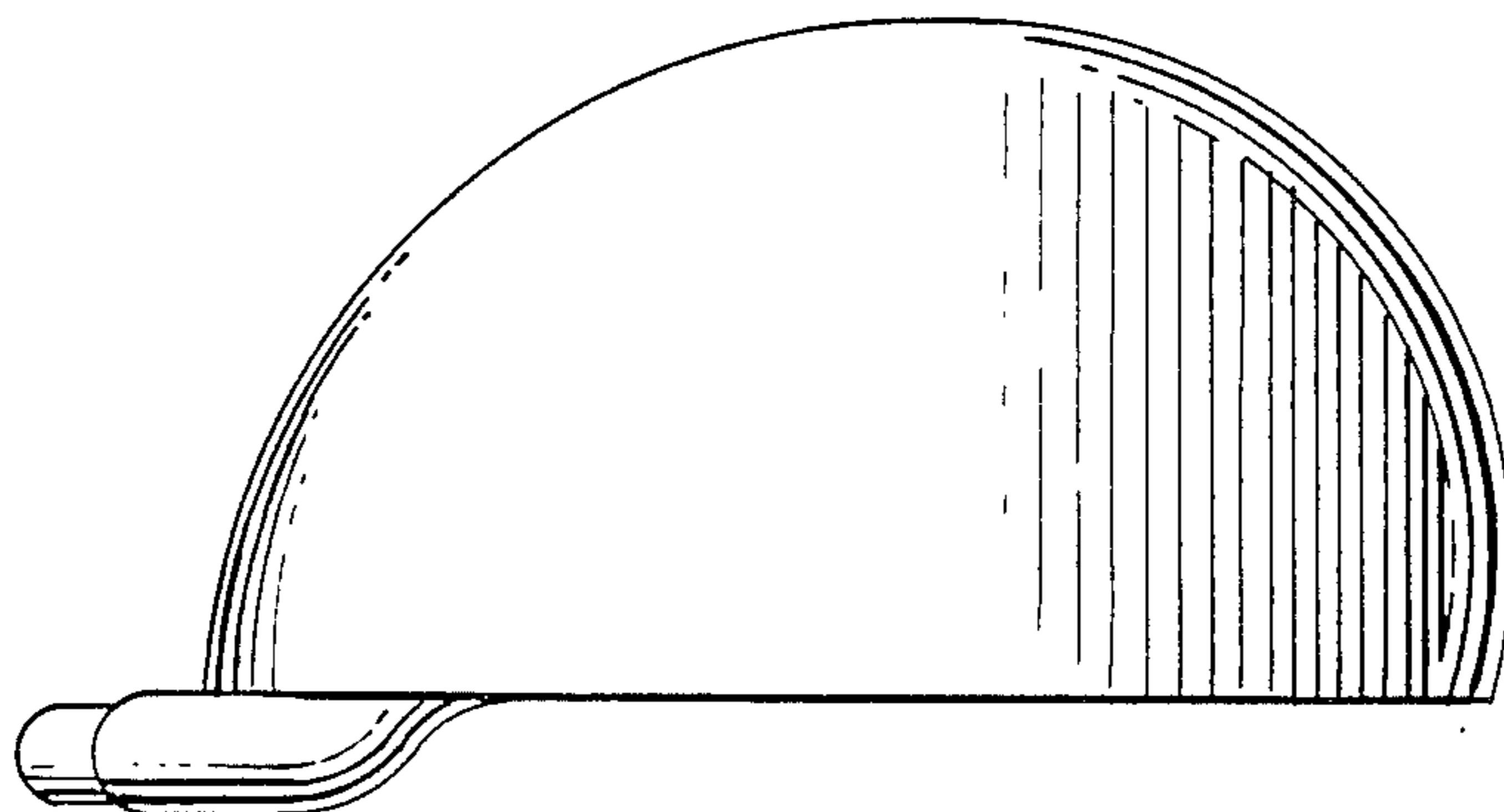


FIG. 6.

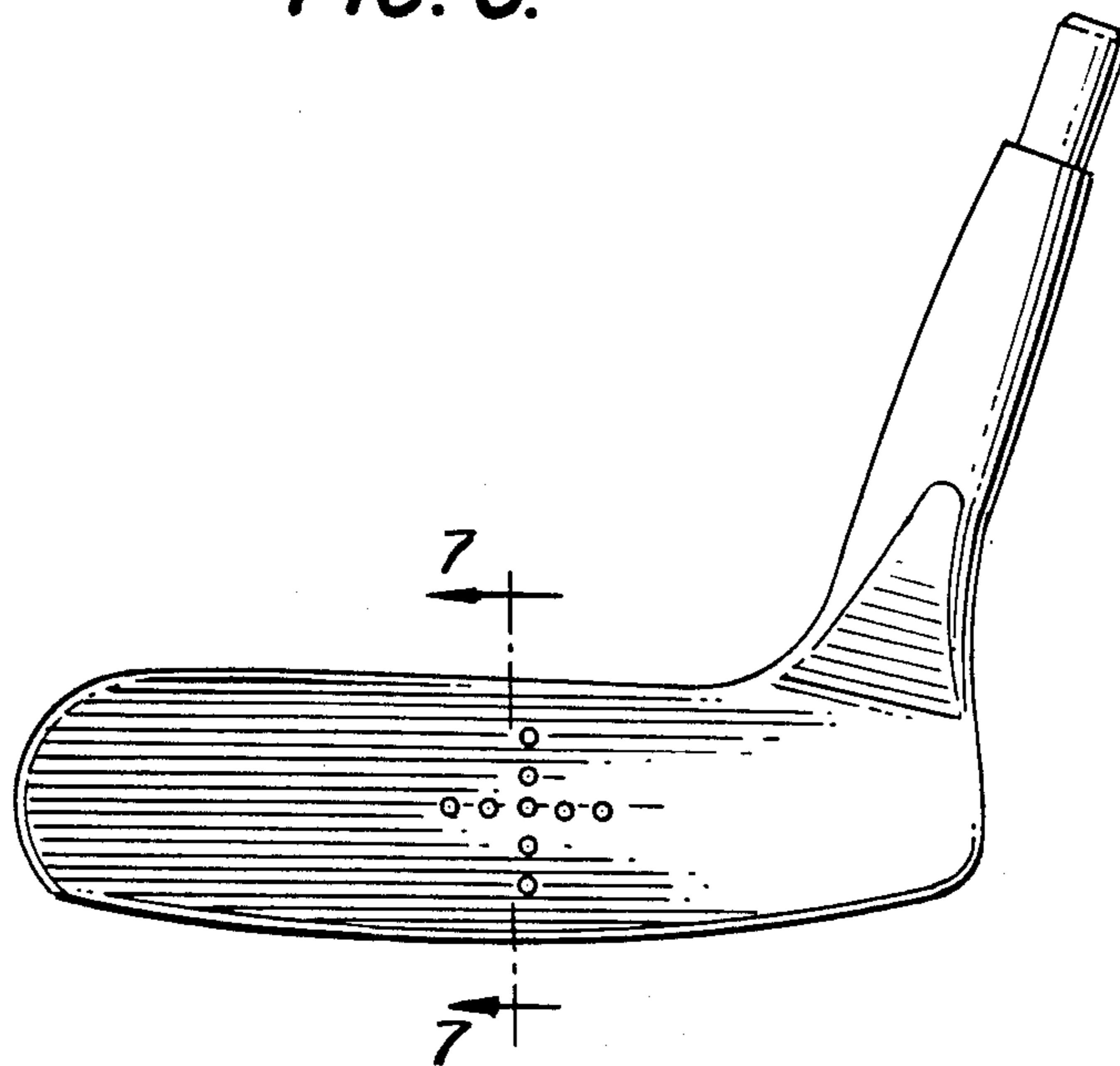


FIG. 7.

