

[54] MIRROR POP-UP TOY

[75] Inventor: Paul Thom, Quincy, Mass.

[73] Assignee: Kiddie Products, Inc., Avon, Mass.

[\*\*] Term: 14 Years

[21] Appl. No.: 733,539

[22] Filed: May 13, 1985

[52] U.S. Cl. .... D21/59

[58] Field of Search ..... D21/59, 63, 64, 150;  
446/146, 175, 219, 227, 491, 151; 434/85;  
D28/64.1, 64.2

[56] References Cited

U.S. PATENT DOCUMENTS

- D. 280,219 8/1985 Suzuki ..... D21/59
- D. 280,997 10/1985 Thomson et al. .... D21/59
- D. 281,179 10/1985 Weiland et al. .... D21/59
- D. 291,583 8/1987 Bateman et al. .... D21/59

OTHER PUBLICATIONS

Childcraft Catalog, Holiday-1981, p. 12, item G, "Peek 'n See".

FAO Schwarz Spring-Summer 1980 Catalog, p. 2, item #H, "Busy Garden".

Primary Examiner—Charles A. Rademaker

[57] CLAIM

The ornamental design for a mirror pop-up toy, as shown and described.

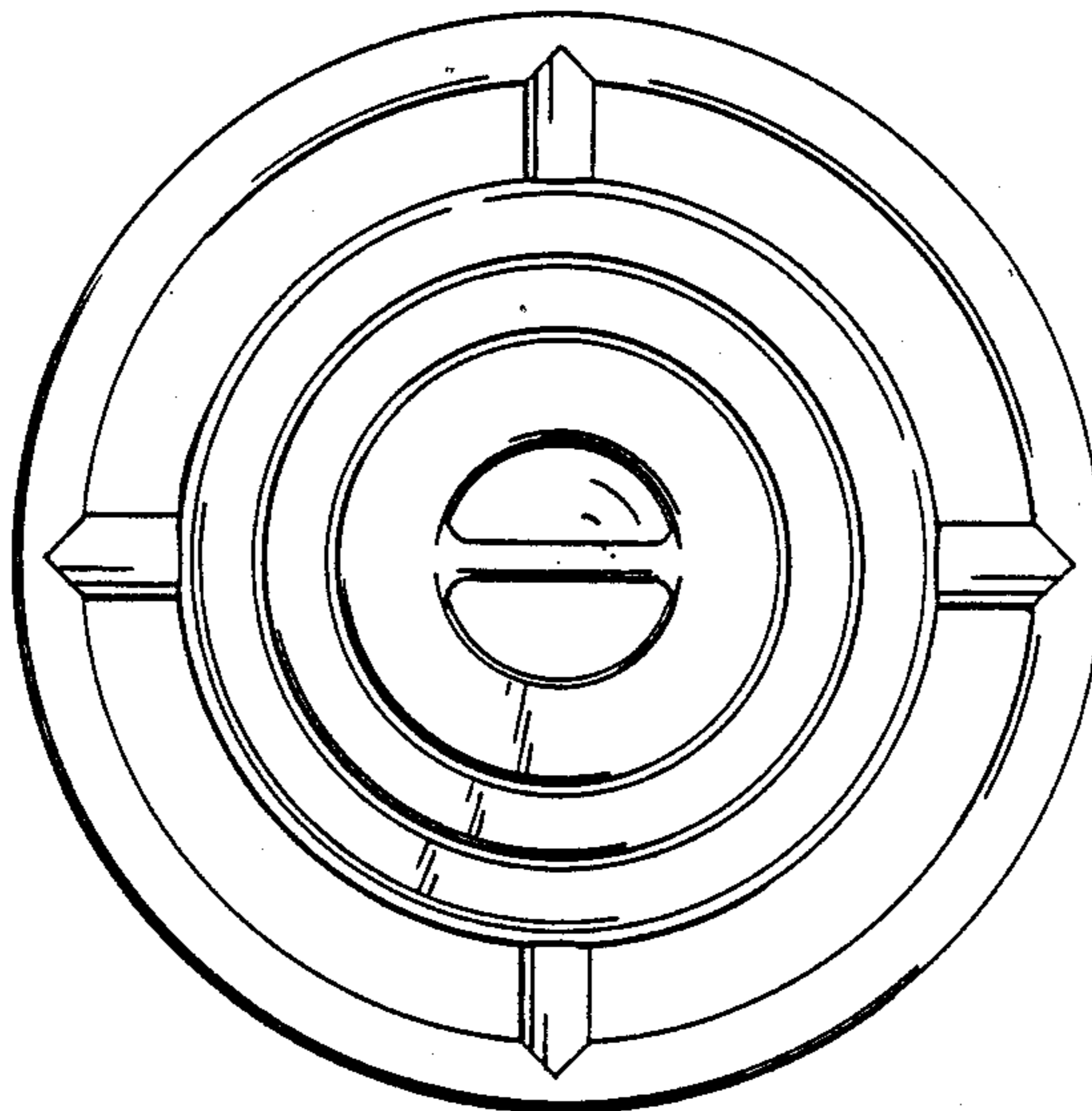
DESCRIPTION

FIG. 1 is a top plan view of a mirror pop-up toy showing my new design;

FIG. 2 is a front elevational view, showing the mirror pop-up toy in its retracted position;

FIG. 3 is a bottom plan view thereof; and

FIG. 4 is a front elevational view of the design shown in FIGS. 1 through 3 with the pop-up sections in a raised condition.



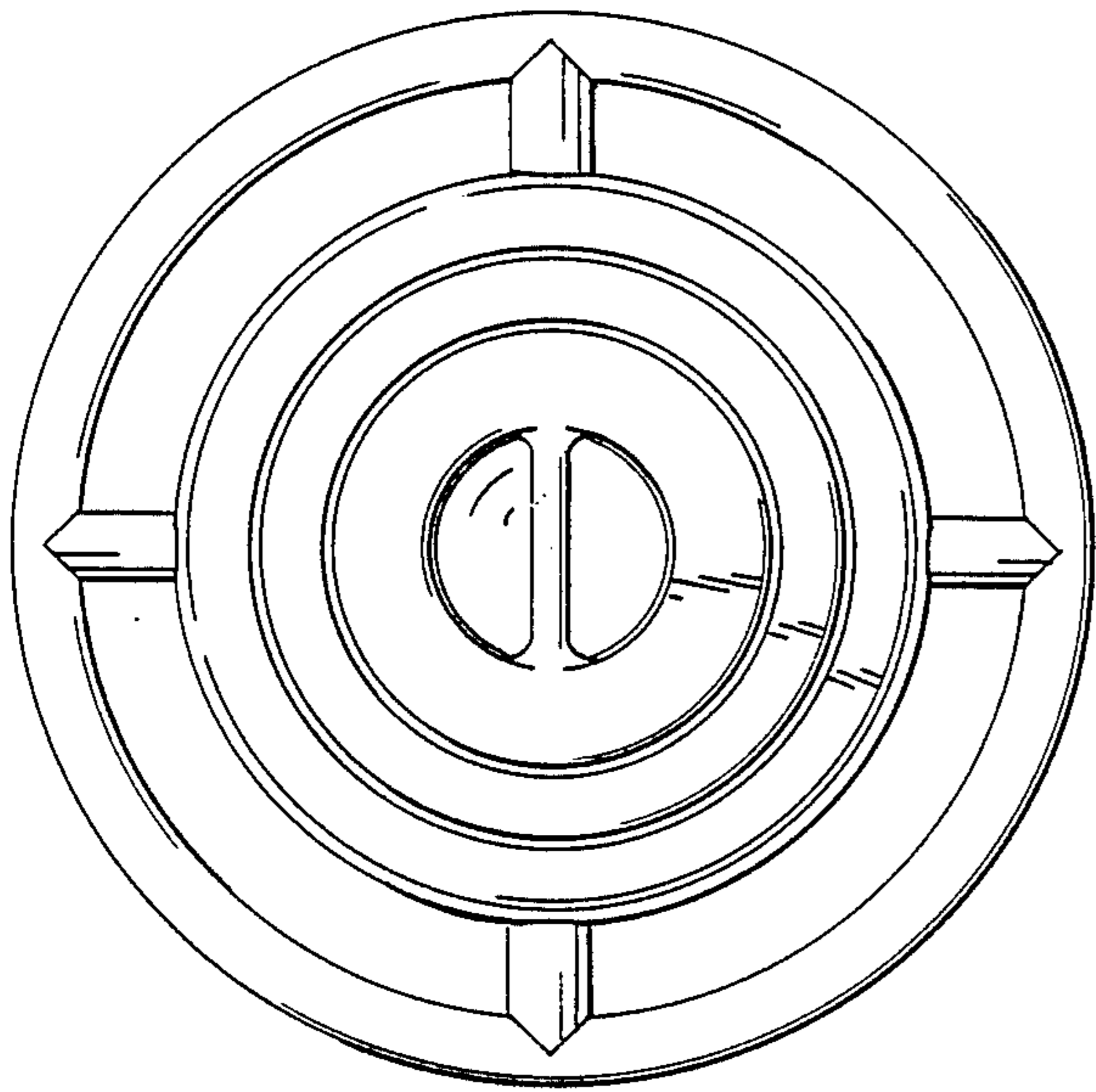


FIG 1

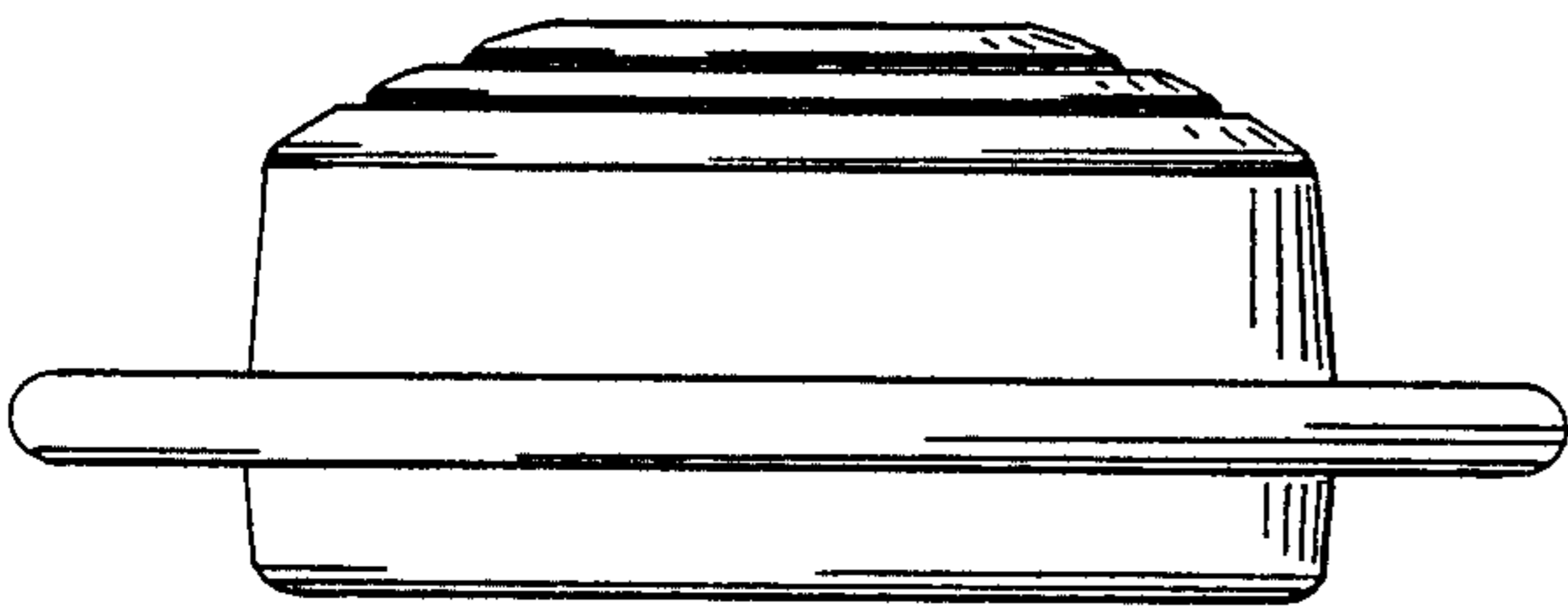


FIG 2

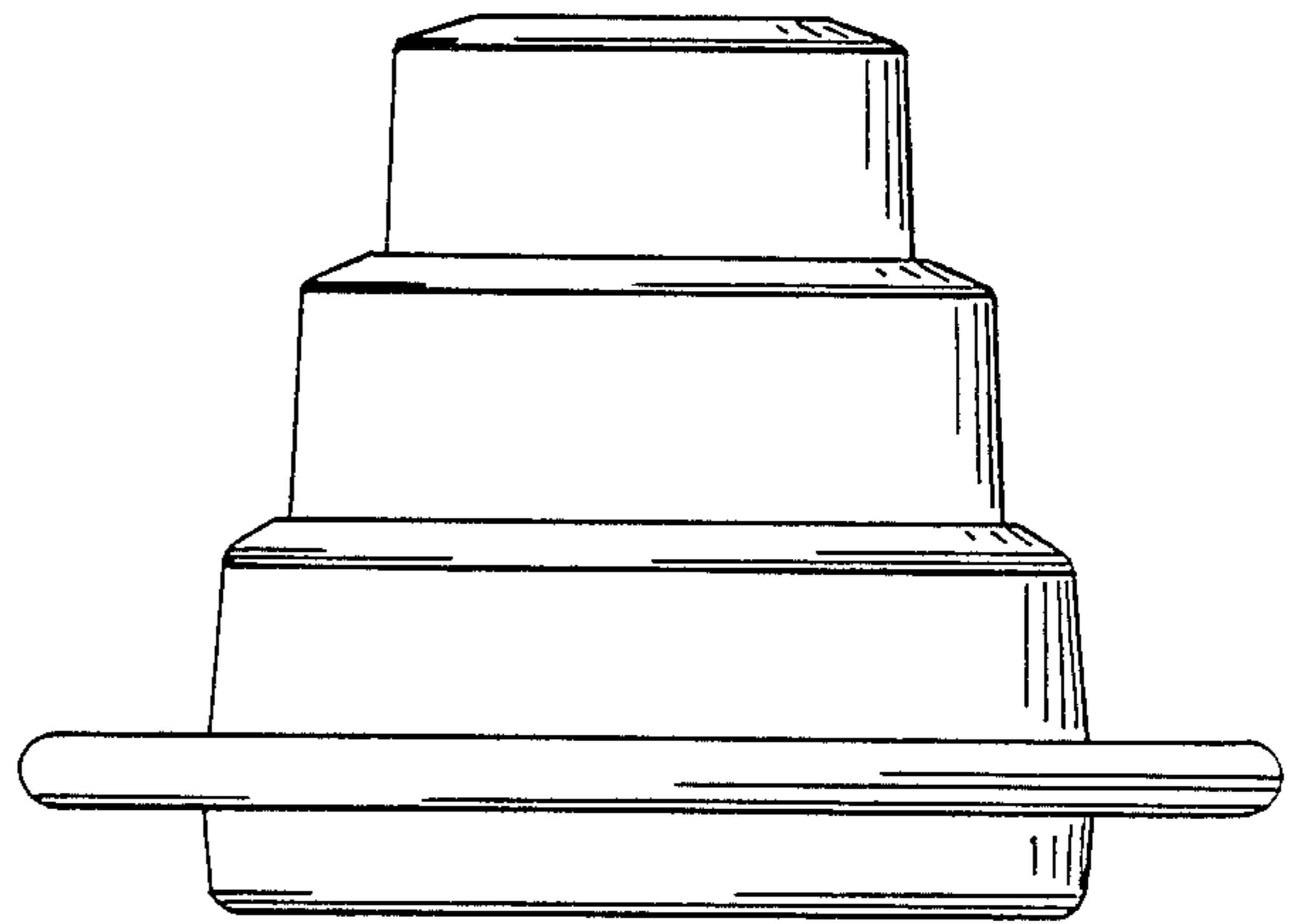


FIG 4

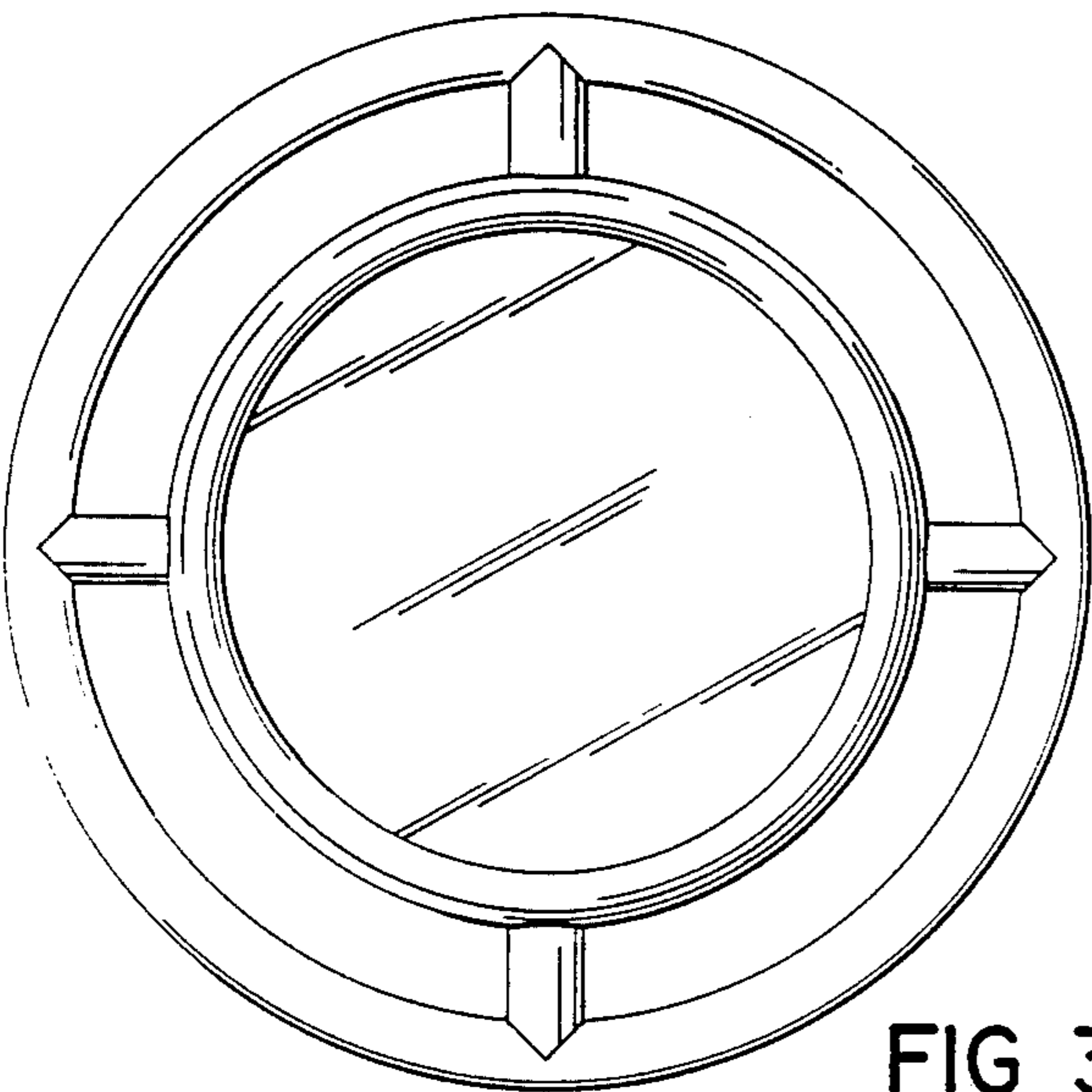


FIG 3

UNITED STATES PATENT AND TRADEMARK OFFICE  
**CERTIFICATE OF CORRECTION**

PATENT NO. : Des. 294,839

DATED : March 22, 1988

INVENTOR(S) : Paul Thom

It is certified that error appears in the above-identified patent and that said Letters Patent is hereby corrected as shown below:

On the title page:  
In the Description, in the line beginning, "Fig. 2 is a front ... ", "the" should be -- a --.

Signed and Sealed this  
First Day of June, 1993

Attest:



MICHAEL K. KIRK

Attesting Officer

Acting Commissioner of Patents and Trademarks