

United States Patent [19]

Micucci

[11] Patent Number: **Des. 294,836**

[45] Date of Patent: **** Mar. 22, 1988**

[54] **COMBINED PAPER AND PENCIL CADDY**

[75] Inventor: **Joseph M. Micucci, Longmeadow, Mass.**

[73] Assignee: **Olympic Sales Club, Inc., Enfield, Conn.**

[*] Notice: **The portion of the term of this patent subsequent to Mar. 6, 1998 has been disclaimed.**

[**] Term: **14 Years**

[21] Appl. No.: **705,512**

[22] Filed: **Feb. 25, 1985**

[52] U.S. Cl. **D19/78; D19/92**

[58] Field of Search **D19/75, 77, 78, 84, D19/85**

[56] **References Cited**

U.S. PATENT DOCUMENTS

D. 236,341 8/1975 Leedy **D19/77**
D. 272,917 3/1984 Micucci **D19/78**

Primary Examiner—George P. Word
Attorney, Agent, or Firm—Fishman & Dionne

[57] **CLAIM**

The ornamental design for a combined paper and pencil caddy, as shown and described.

DESCRIPTION

FIG. 1 is a top front perspective view of a combined paper and pencil caddy showing my new design; and FIG. 2 is a bottom rear perspective view thereof.

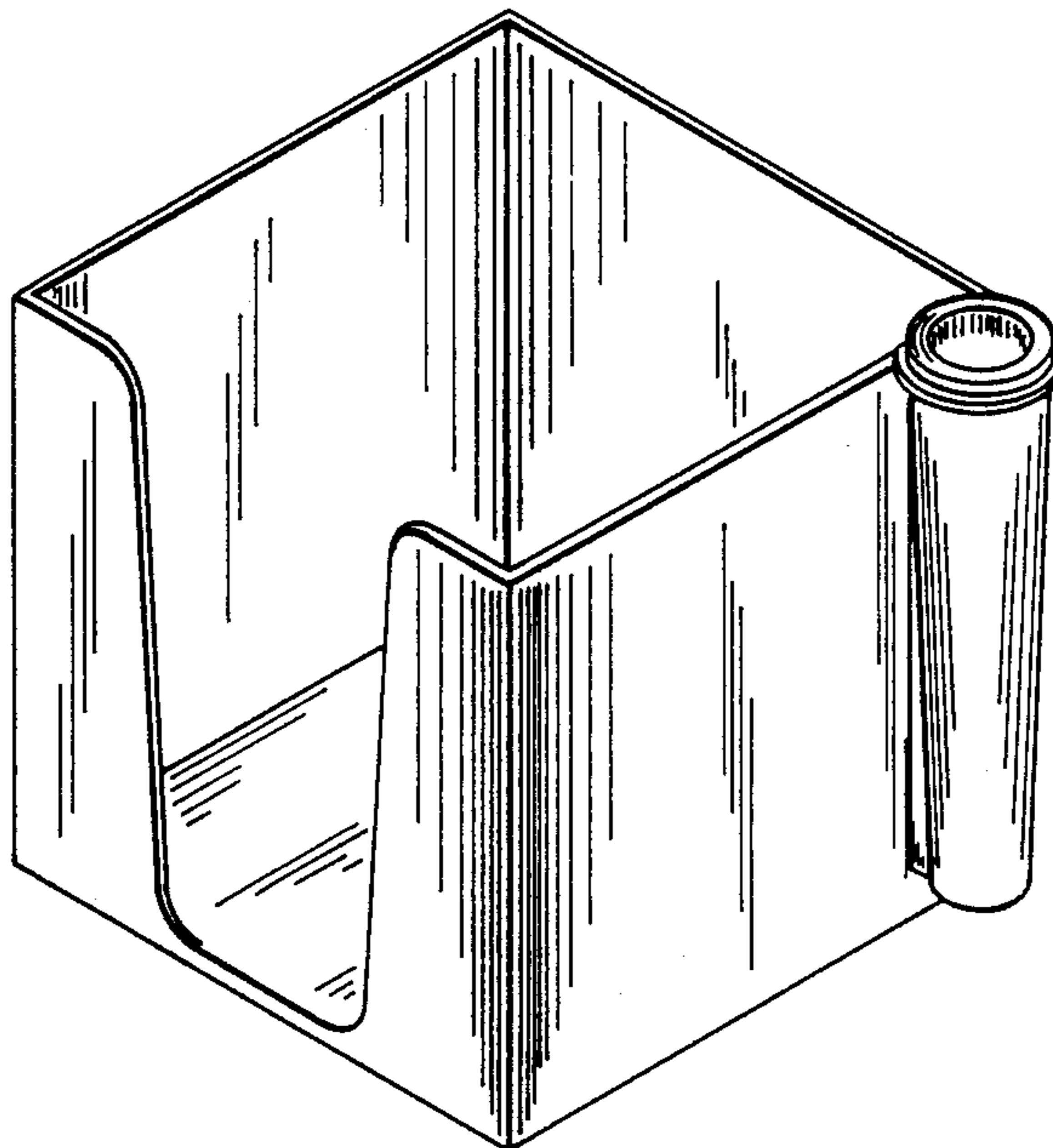


FIG. 1

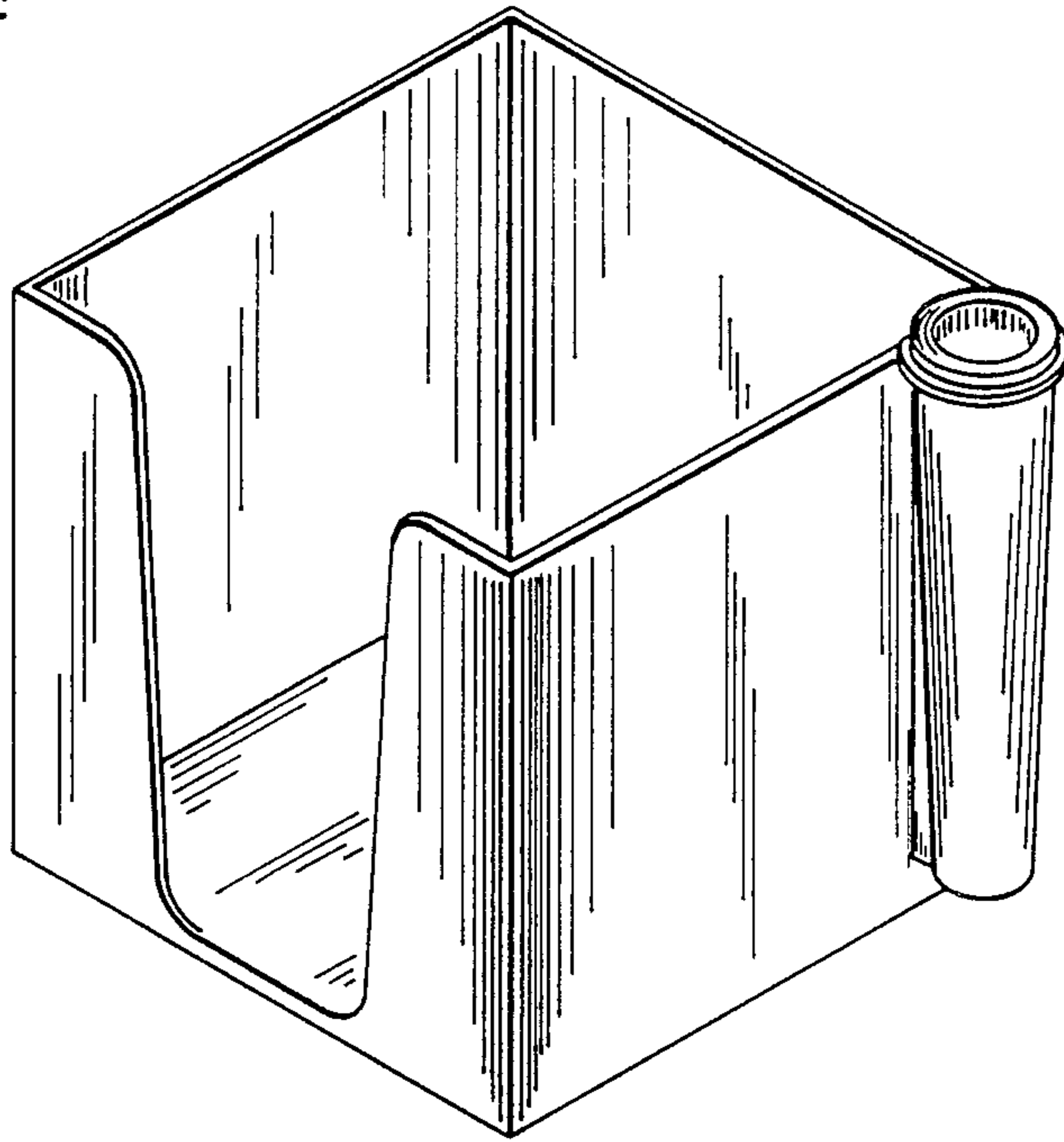


FIG. 2

