

[54] ENGINE

D. 282,071 1/1986 Nakamura D15/1
D. 284,862 7/1986 Iida D15/1

[75] Inventors: Yukinori Itou, Kawagoe; Kiyohide Sumi, Koga; Toyosaku Kowase, Kawagoe; Masashi Takahashi, Ohta, all of Japan

OTHER PUBLICATIONS

Implement and Tractor, Feb. 1979, p. 37 Kawasaki four cycle engine.

[73] Assignee: Fuji Jukogyo Kabushiki Kaisha, Tokyo, Japan

Primary Examiner—Wallace R. Burke
Assistant Examiner—Brian N. Vinson
Attorney, Agent, or Firm—Martin A. Farber

[**] Term: 14 Years

[21] Appl. No.: 760,444

[57] CLAIM

The ornamental design for an engine, as shown.

[22] Filed: Jul. 30, 1985

[52] U.S. Cl. D15/1

DESCRIPTION

[58] Field of Search D15/1, 3, 5; D21/125;
123/22, 41.34, 52 R, 56 A, 56 B, 56 BA, 56 BC,
58 R, 311, 195 AC

FIG. 1 is a top front perspective of an engine showing our new design;

FIG. 2 is a top rear perspective view thereof;

FIG. 3 is a front elevational view thereof;

FIG. 4 is a rear elevational view thereof;

FIG. 5 is a right side elevational view thereof;

FIG. 6 is a left side elevational view thereof;

FIG. 7 is a top plan view thereof; and

FIG. 8 is a bottom plan view thereof.

[56] References Cited

U.S. PATENT DOCUMENTS

D. 175,136 7/1955 Stevens D15/1
D. 239,329 3/1976 Schramm D15/1
D. 276,160 10/1984 Tuggle et al. D15/1

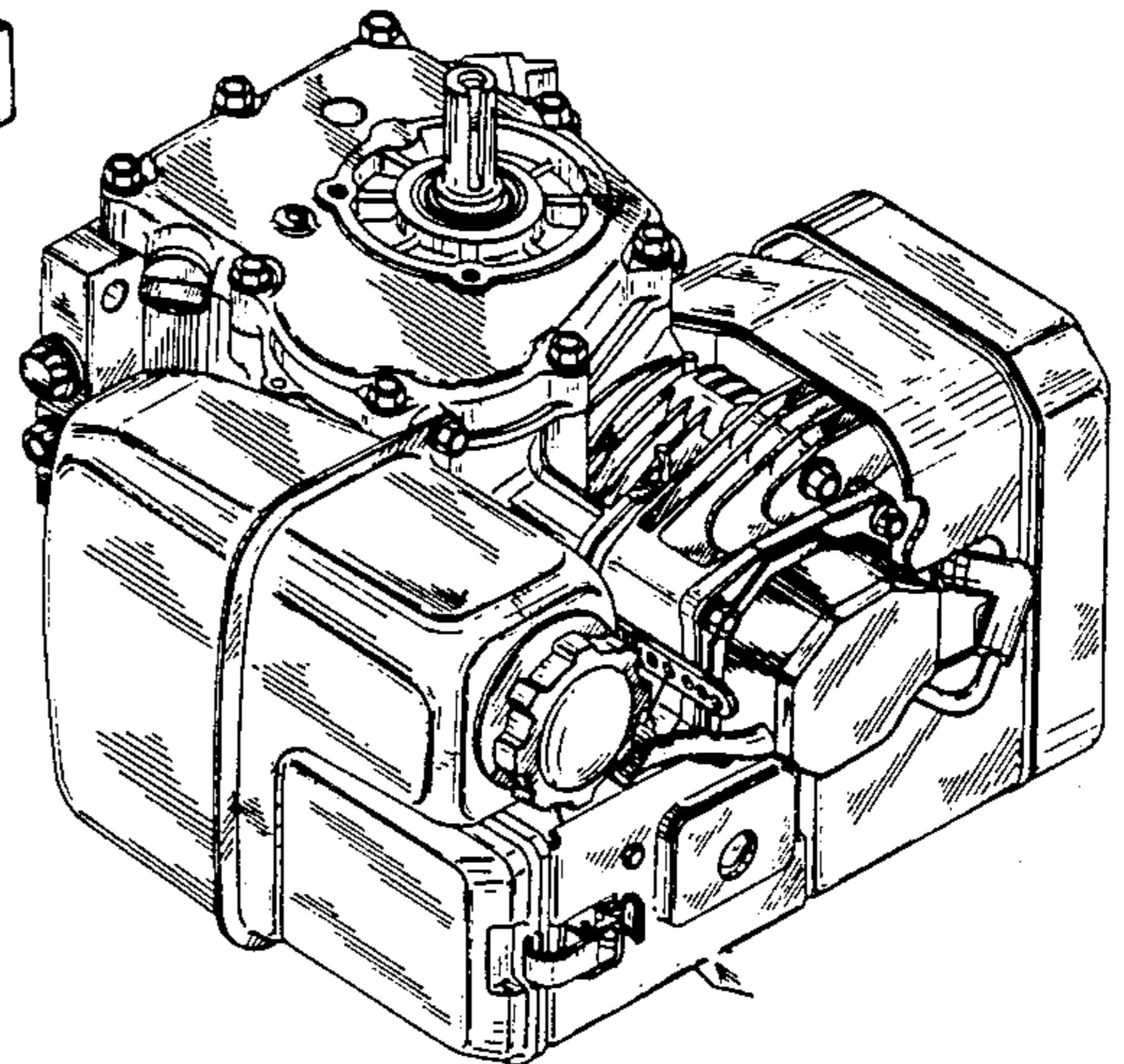
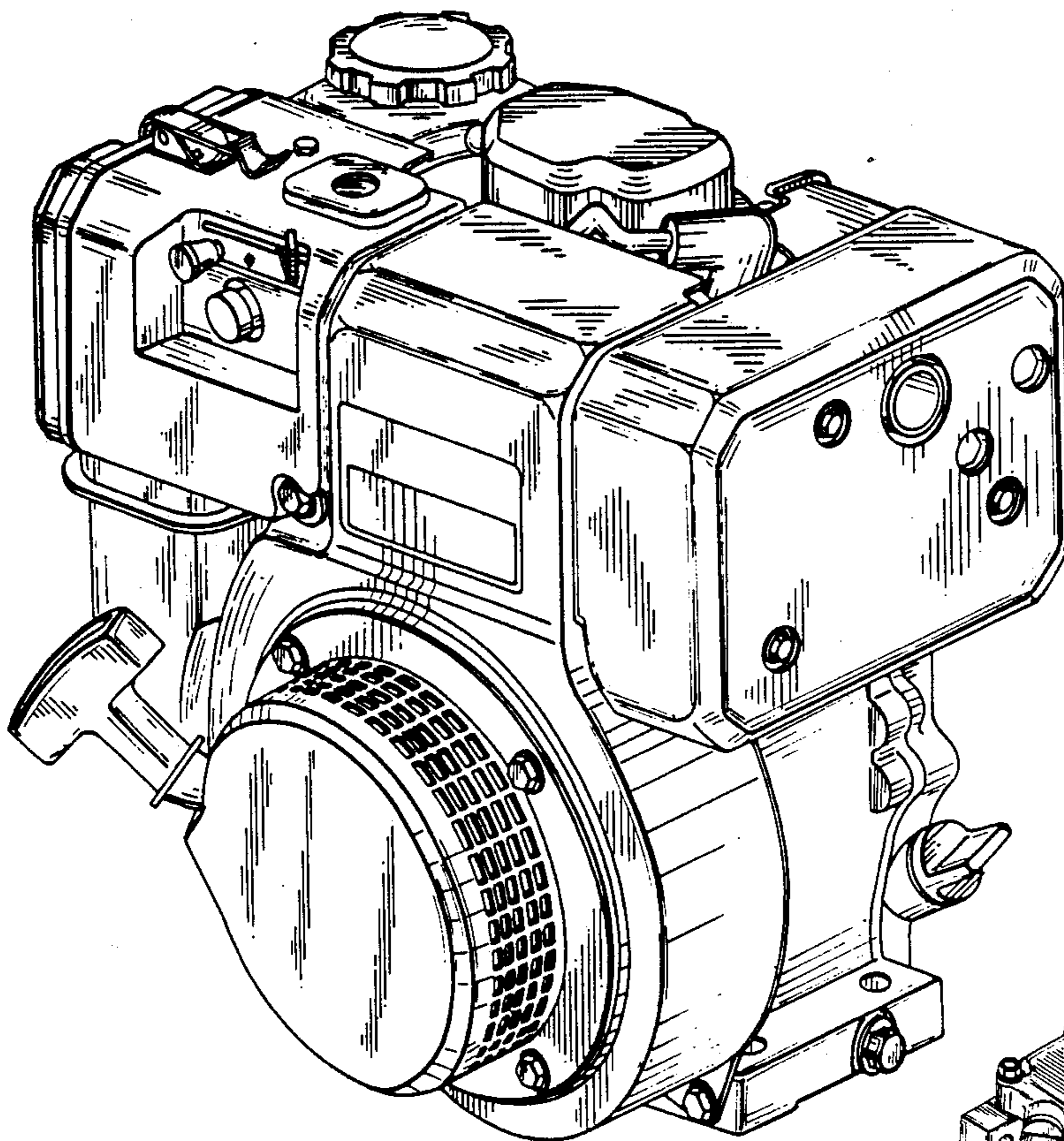


FIG. 1

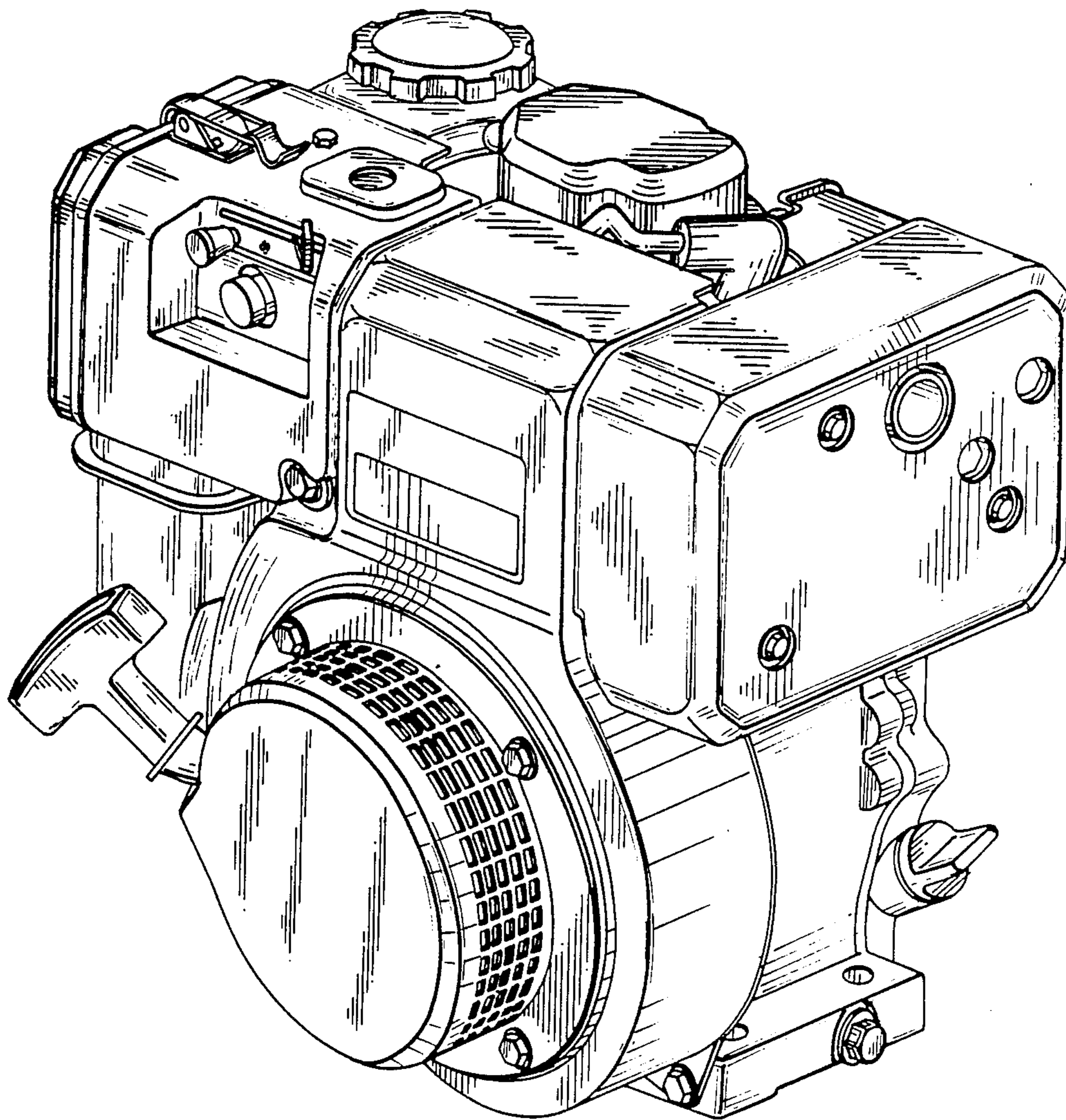


FIG. 2

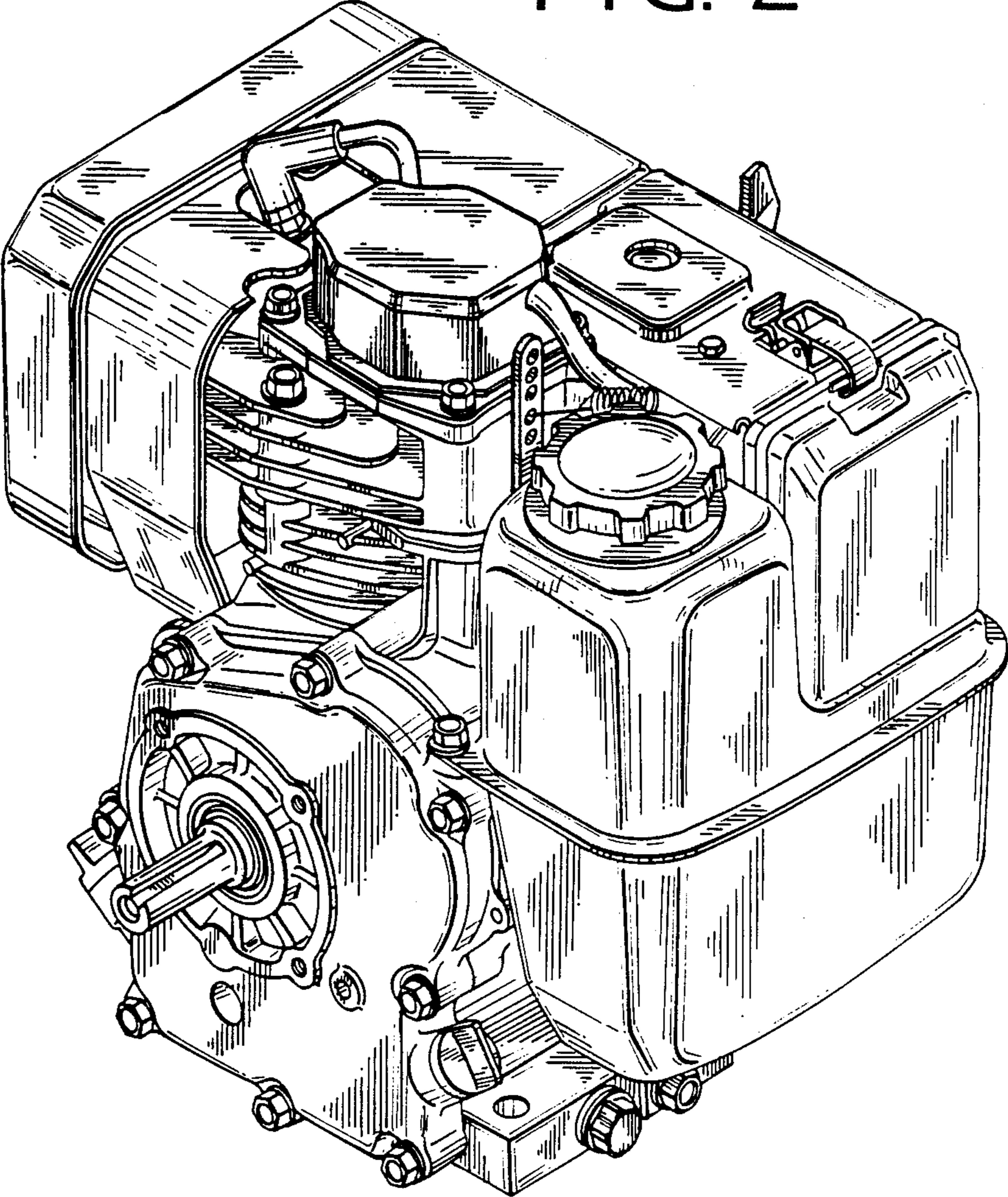


FIG. 3

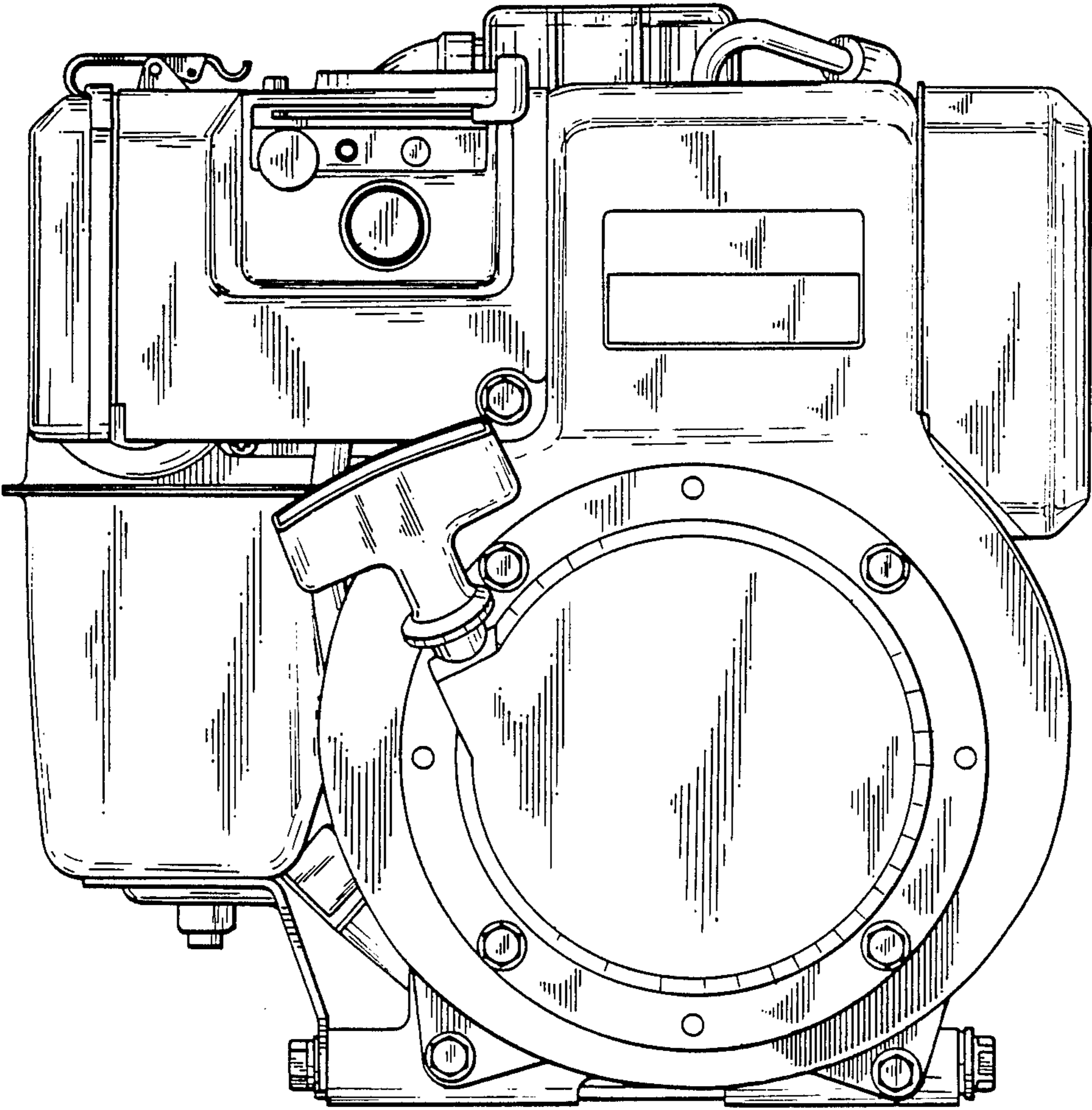


FIG. 4

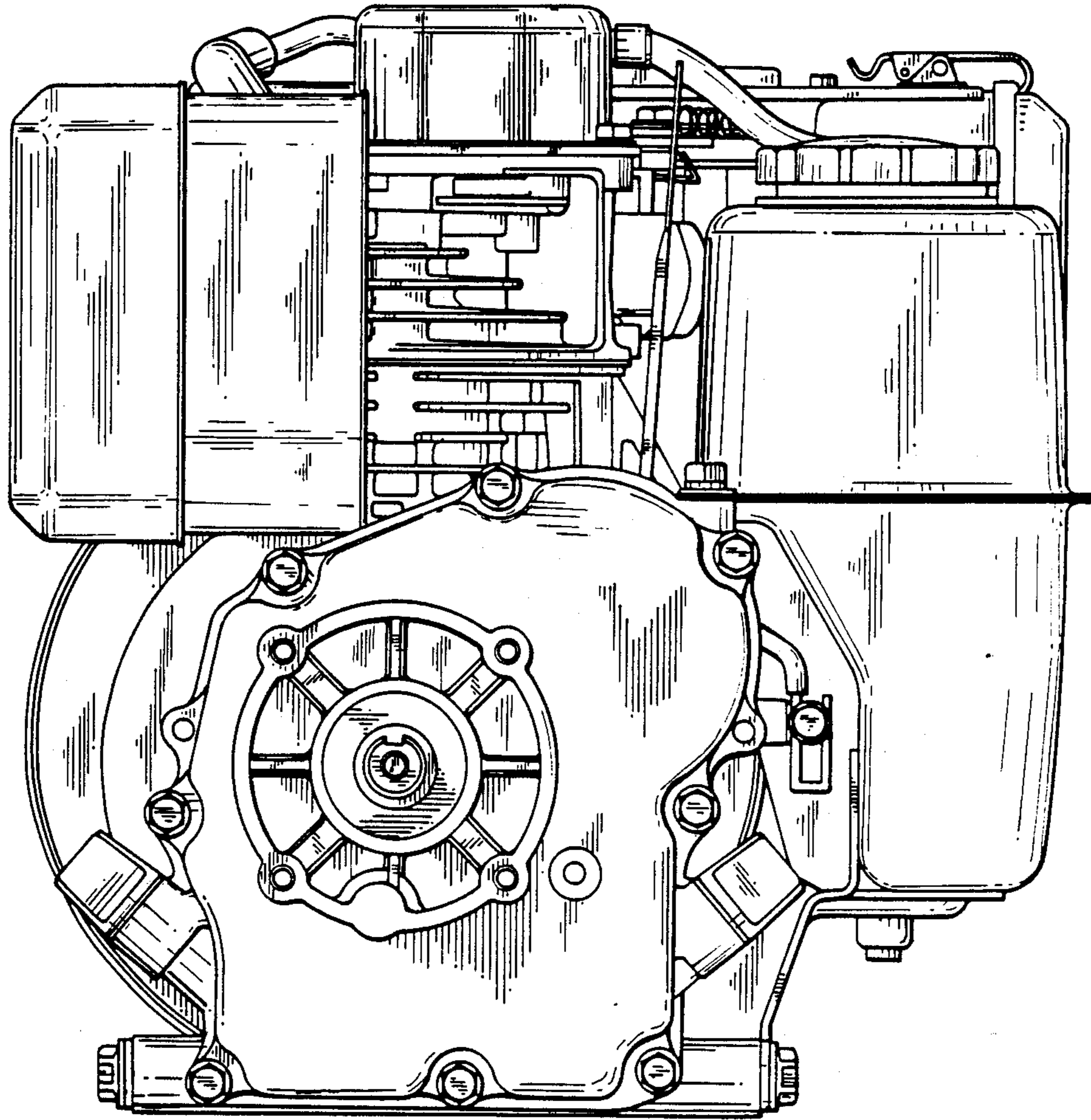


FIG. 5

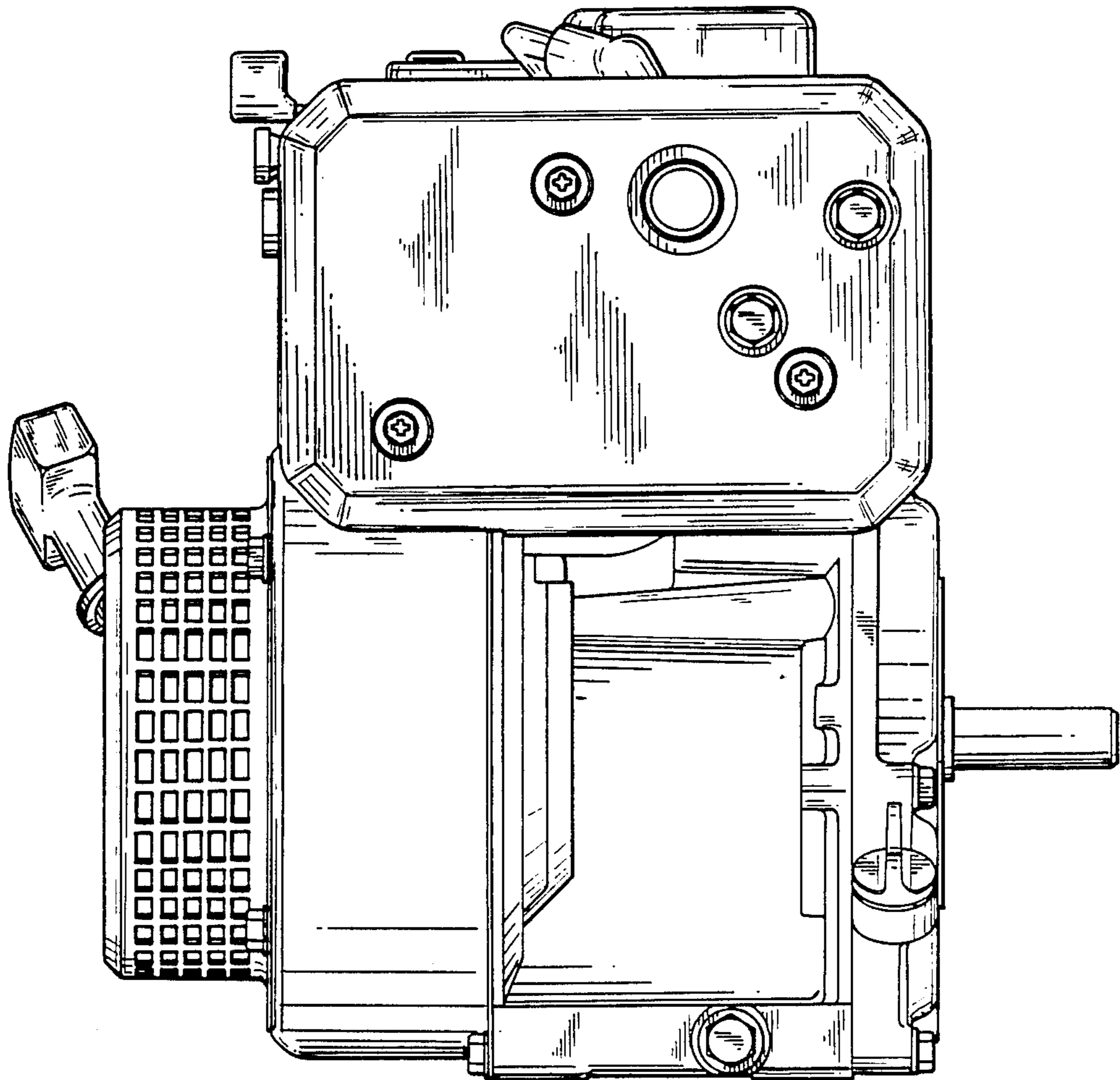
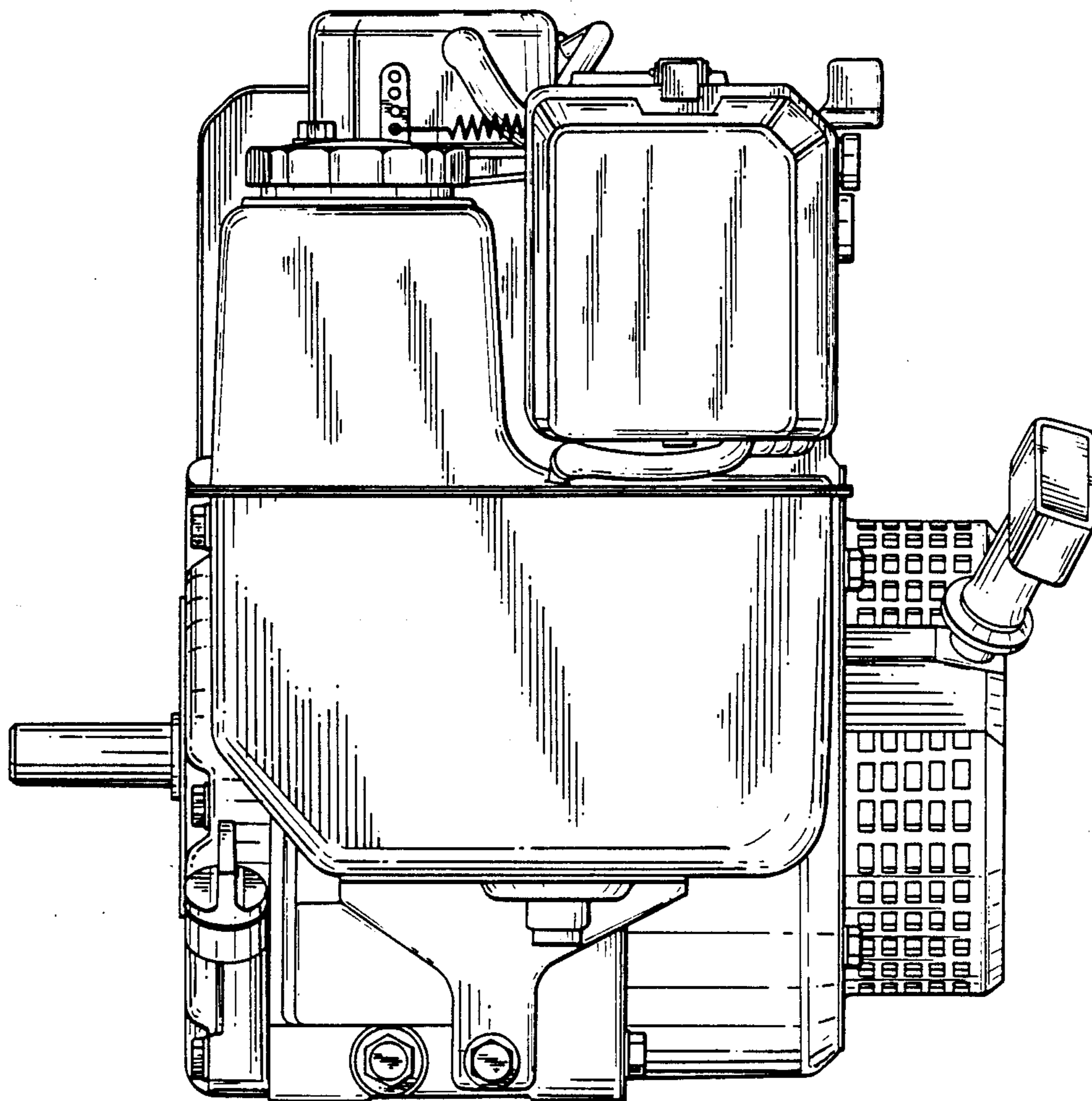


FIG. 6



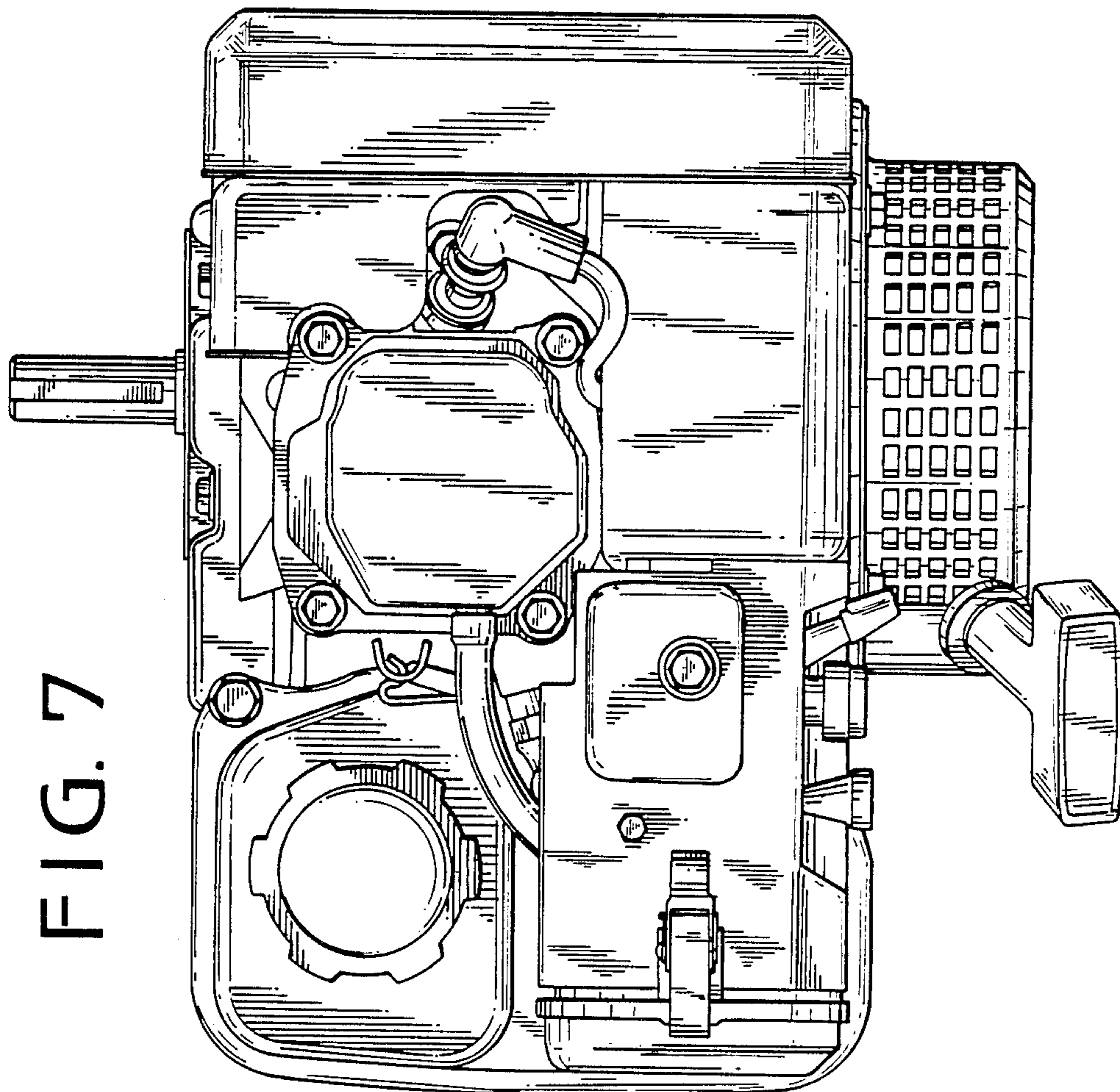


FIG. 7

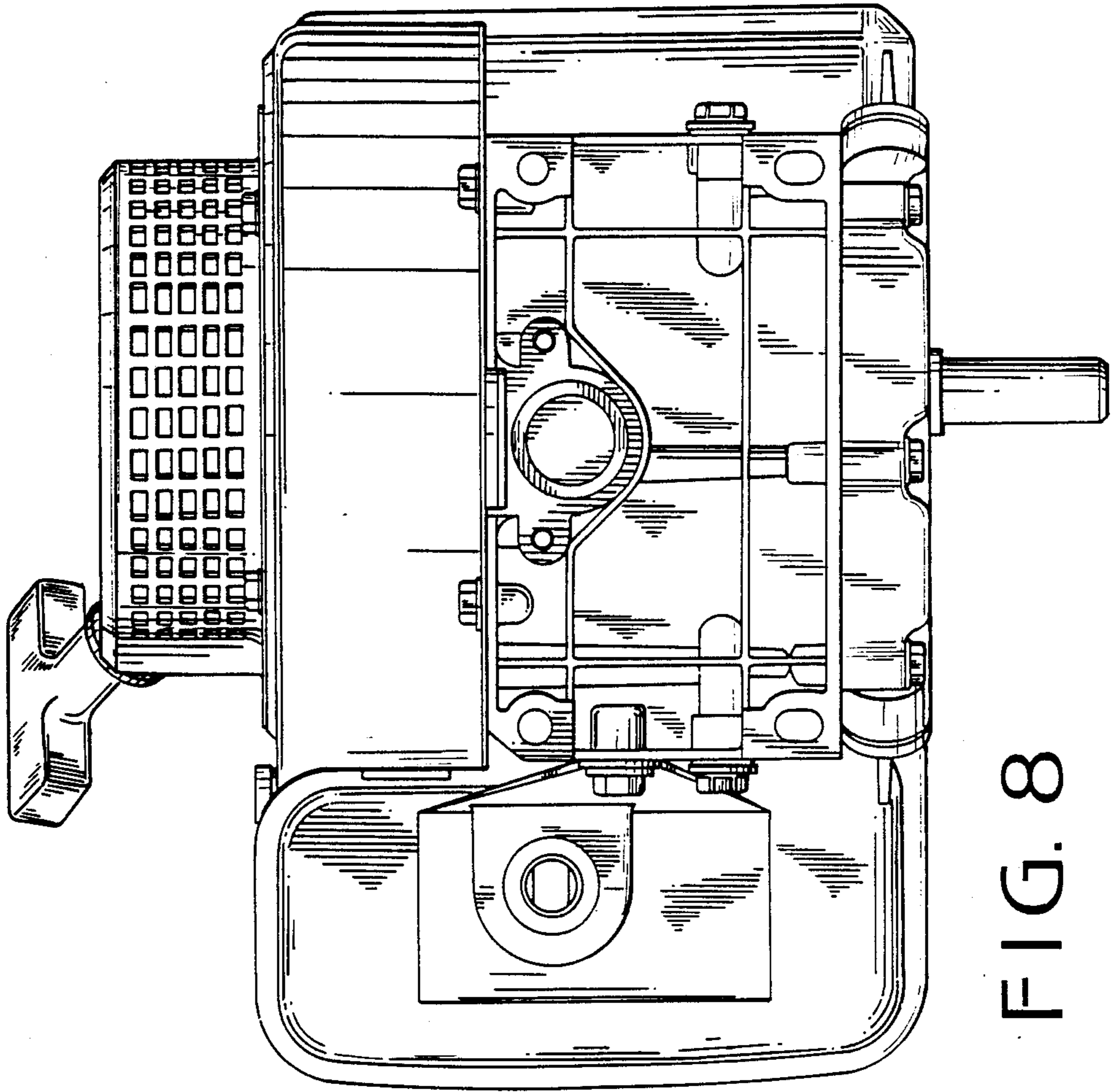


FIG. 8