

[54] MOTORCYCLE MOUNTED RADIO

[76] Inventor: Michael D. Hogue, 3134 Queen Rd., Ravana, Ohio 44266

[**] Term: 14 Years

[21] Appl. No.: 700,093

[22] Filed: Feb. 11, 1985

[52] U.S. Cl. D14/68; D14/75

[58] Field of Search D14/68, 69, 70, 71, D14/72, 75, 76, 95, 99; D12/114; 455/344, 350, 351

[56] References Cited

U.S. PATENT DOCUMENTS

D. 235,033	4/1975	Engelmann	D14/68
D. 239,868	5/1976	Pinsler et al.	D12/114 X
D. 244,615	6/1977	Mariol	D14/68
D. 278,707	5/1985	Swinney	D14/99 X
4,445,228	4/1984	Bruni	455/350 X

OTHER PUBLICATIONS

American Bicyclist & Motorcyclist, Nov. 1961, p. 47, bottom of page.

Primary Examiner—Bernard Ansher
Assistant Examiner—Theodore M. Shooman
Attorney, Agent, or Firm—Gilden & Israel

[57] CLAIM

The ornamental design for a motorcycle mounted radio, as shown and described.

DESCRIPTION

FIG. 1 is a top plan view of a motorcycle mounted radio showing my new design;
FIG. 2 is a rear elevational view thereof;
FIG. 3 is a bottom plan view thereof;
FIG. 4 is a left side elevational view thereof;
FIG. 5 is a sectional view thereof, taken along line 5—5 of FIG. 2; and,
FIG. 6 is a top, rear and right side perspective view thereof.

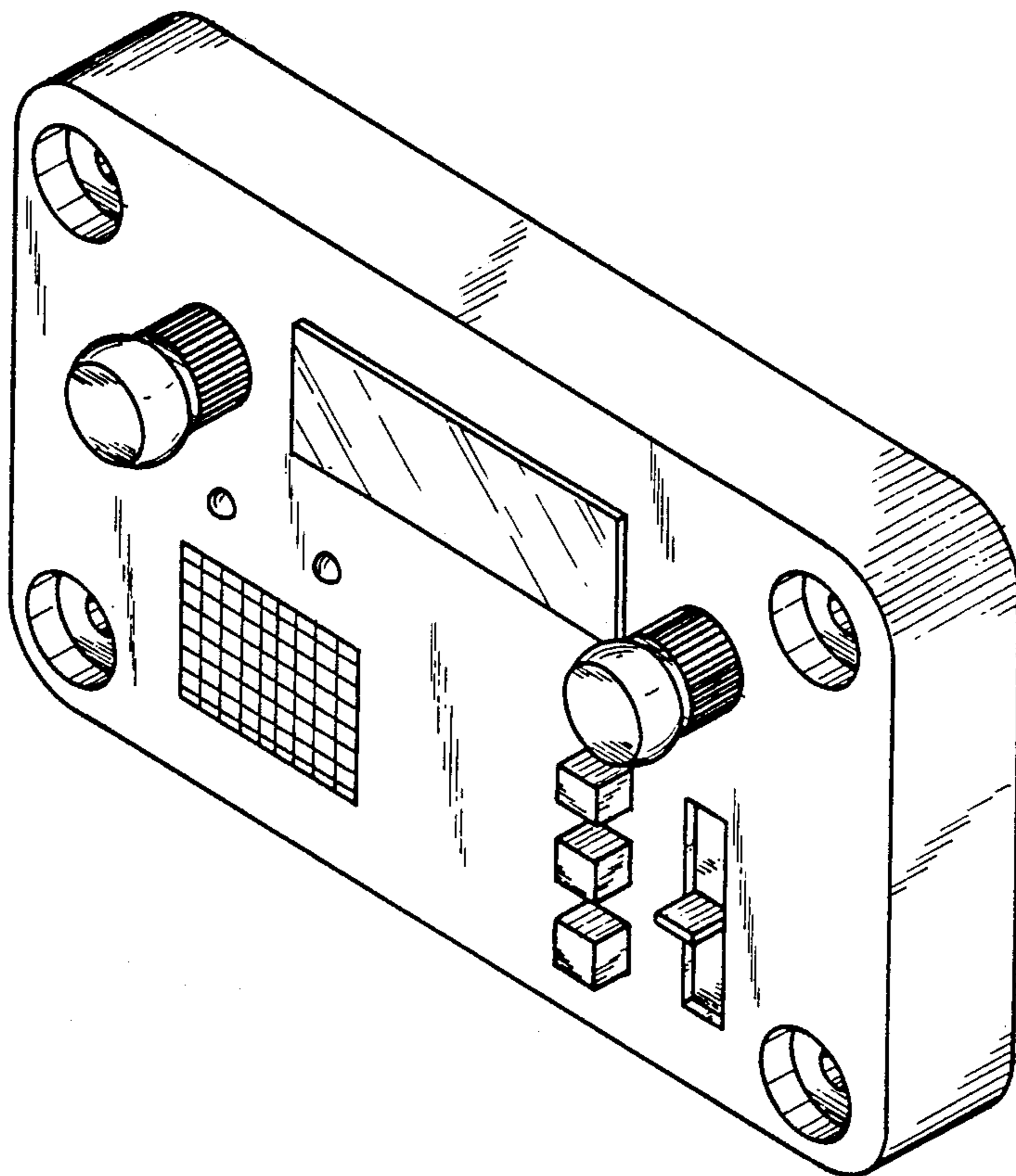


FIG 1

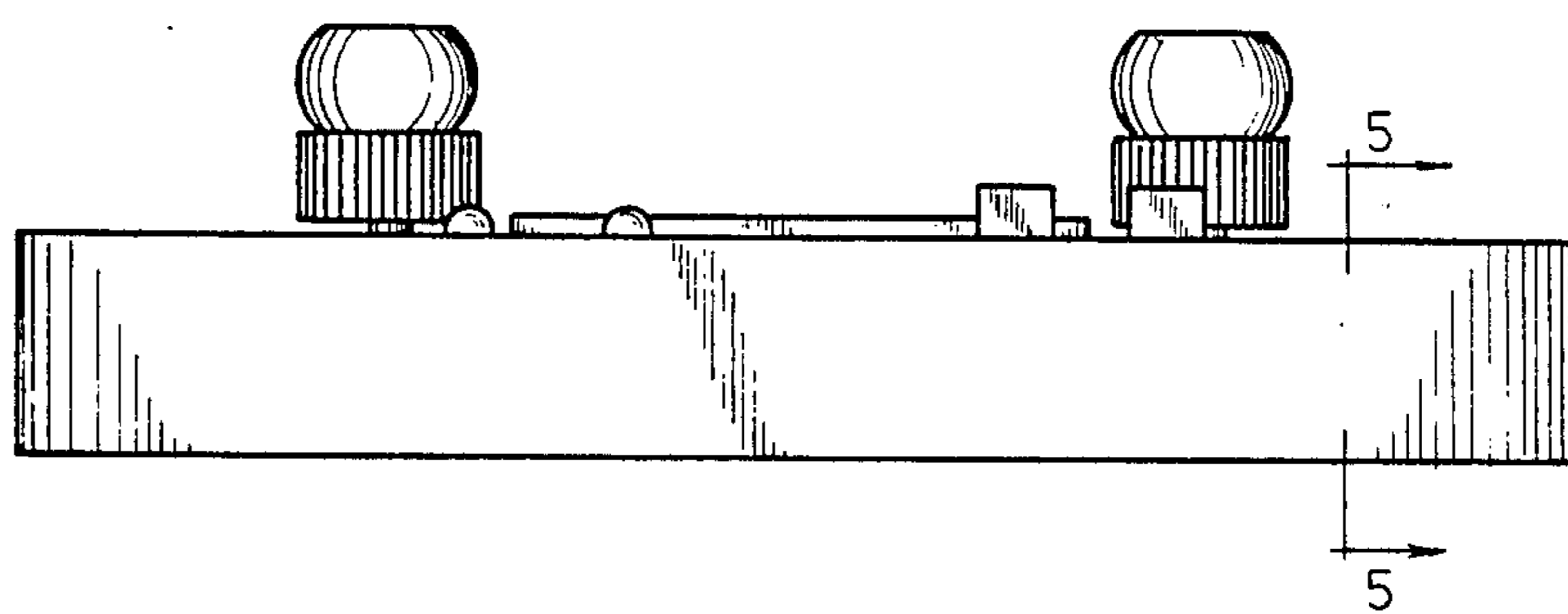
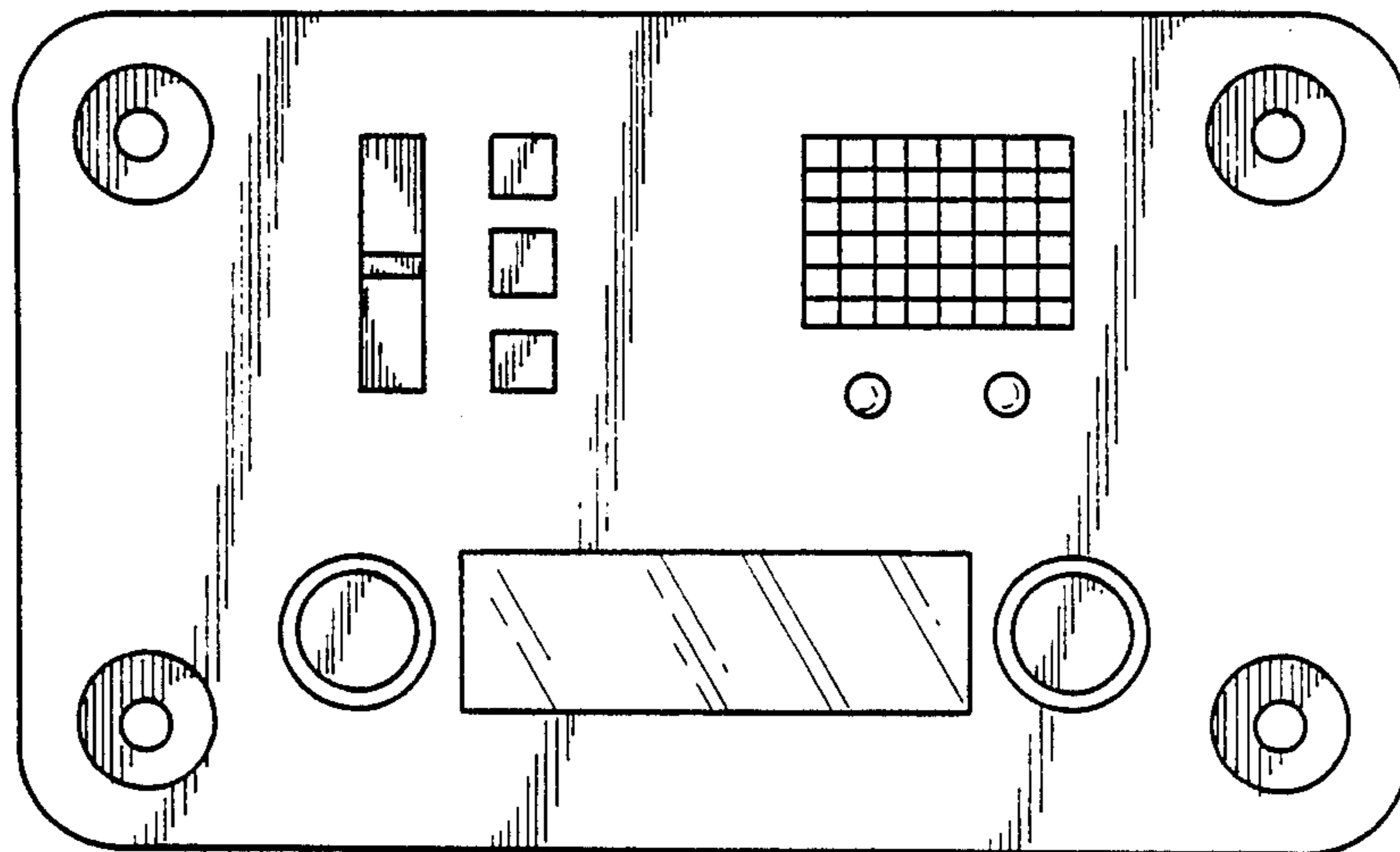


FIG 2

FIG 3

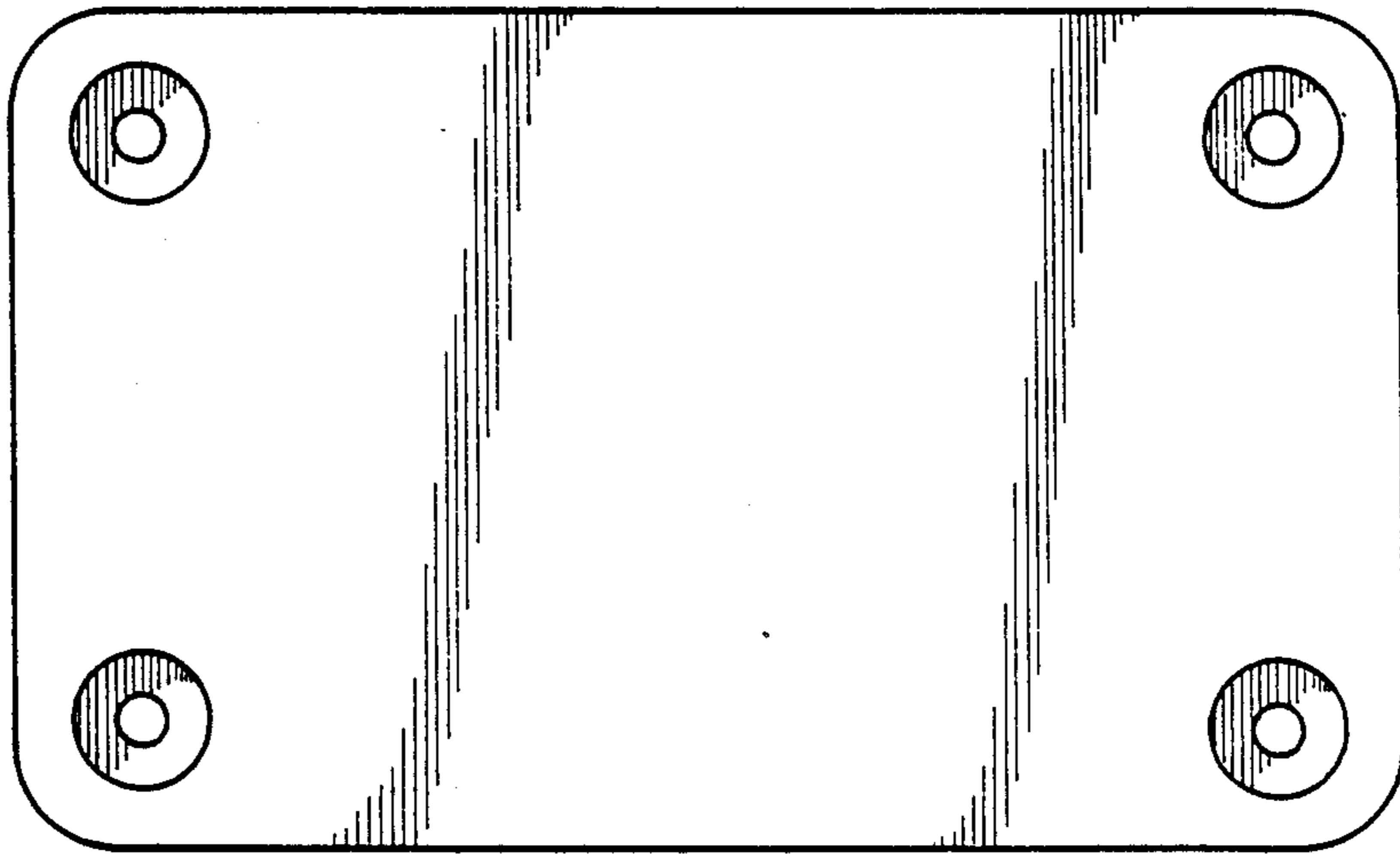


FIG 4

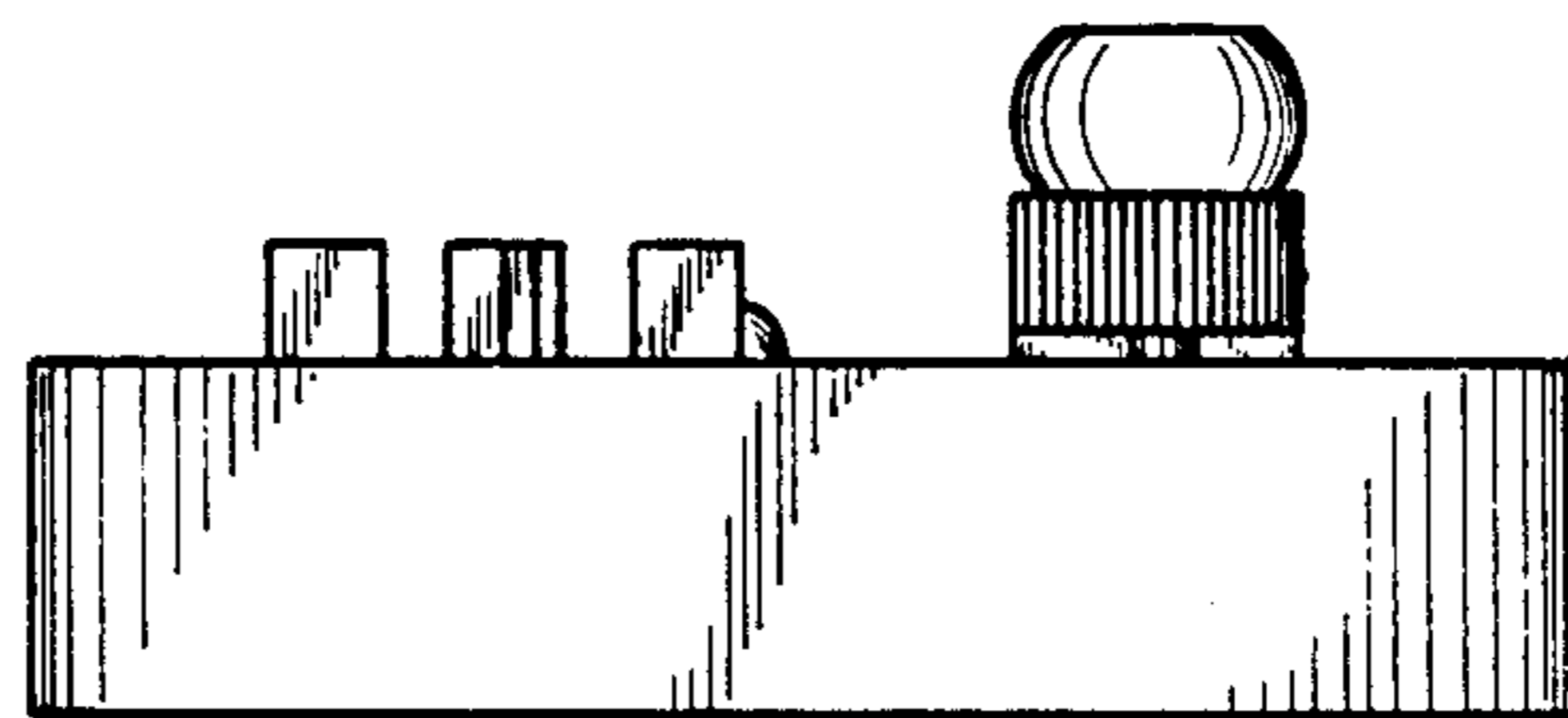
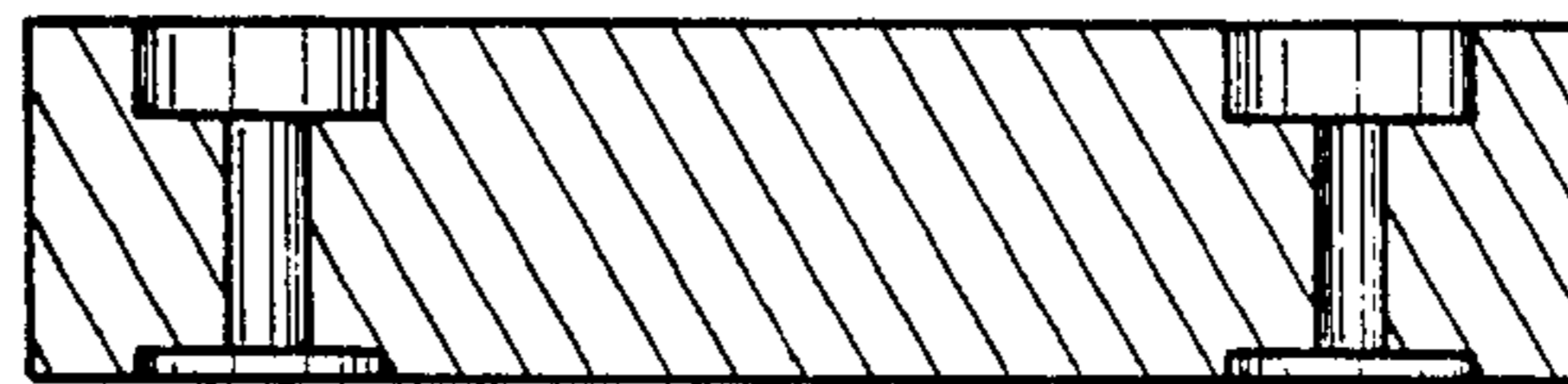


FIG 5



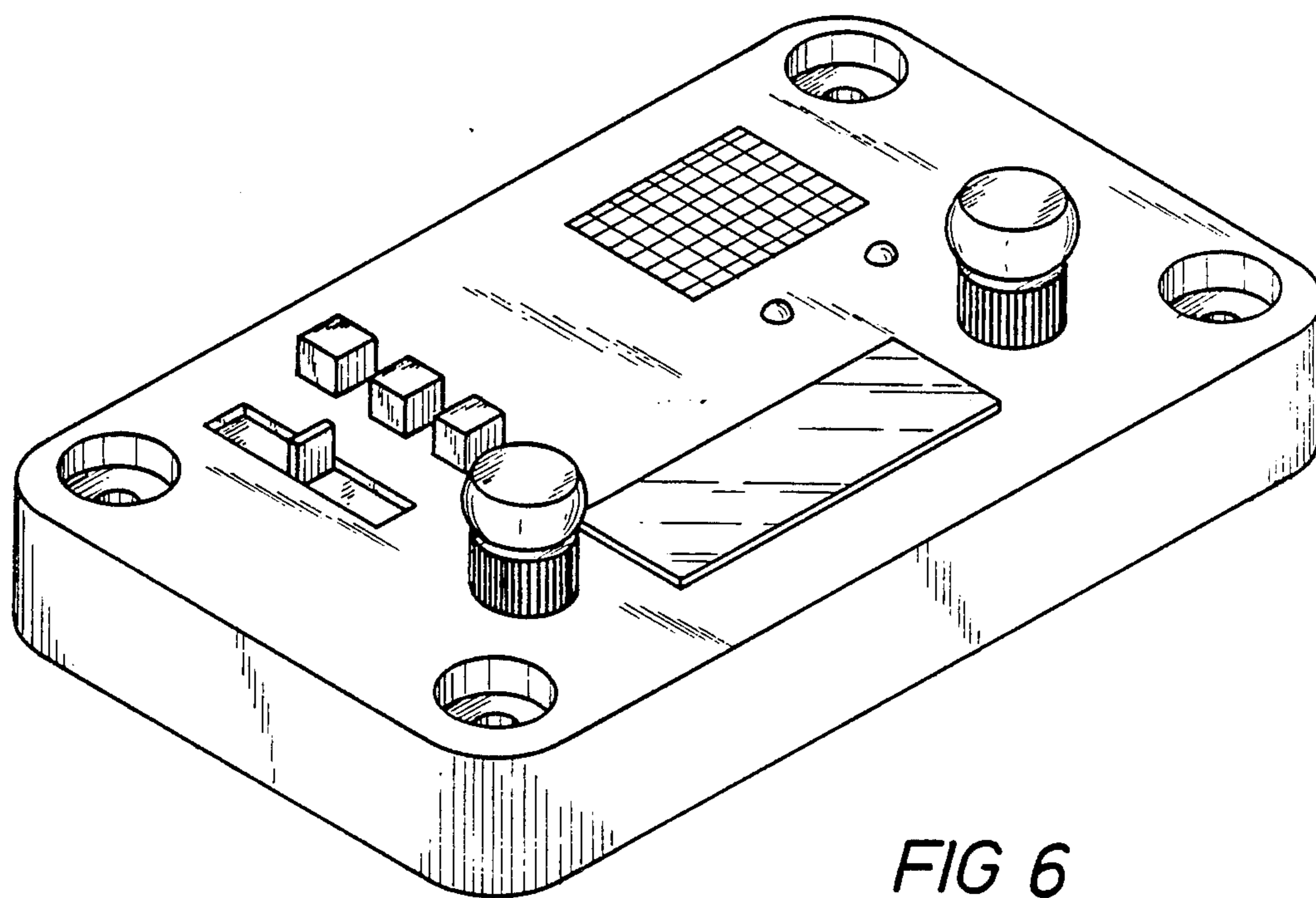


FIG 6