

[54] COMBINED SWIVEL BASE AND PULL-OUT DRAWER FOR A TELEPHONE OR SIMILAR ARTICLE

[76] Inventors: Lillie F. Jones; Linda J. Hauber, both of 2515 Hermitage Way, Louisville, Ky. 40222

[\*\*] Term: 14 Years

[21] Appl. No.: 847,592

[22] Filed: Mar. 31, 1986

[52] U.S. Cl. .... D14/65; D14/60; 248/349

[58] Field of Search ..... D14/60, 59, 65; 248/349; 179/146; 379/354

[56] References Cited

U.S. PATENT DOCUMENTS

D. 221,004	6/1971	Van Dyke	.....	D14/60
D. 240,431	7/1976	Stapp	.....	D14/60
D. 262,624	1/1982	Ganzolez	.....	D14/59
1,512,442	10/1924	Arnold	.....	248/349
1,631,195	6/1927	Ford	.....	248/349
2,414,110	1/1947	Lee et al.	.....	179/146
3,353,777	11/1967	Knoedler	.....	248/349 X
3,479,632	11/1969	Galles	.....	248/349

4,555,081	11/1985	Ermanski	.....	248/349
4,635,894	1/1987	Sammons	.....	248/349 X
4,648,574	3/1987	Granlund	.....	248/349

FOREIGN PATENT DOCUMENTS

341194	11/1959	Switzerland	.....	248/349
--------	---------	-------------	-------	---------

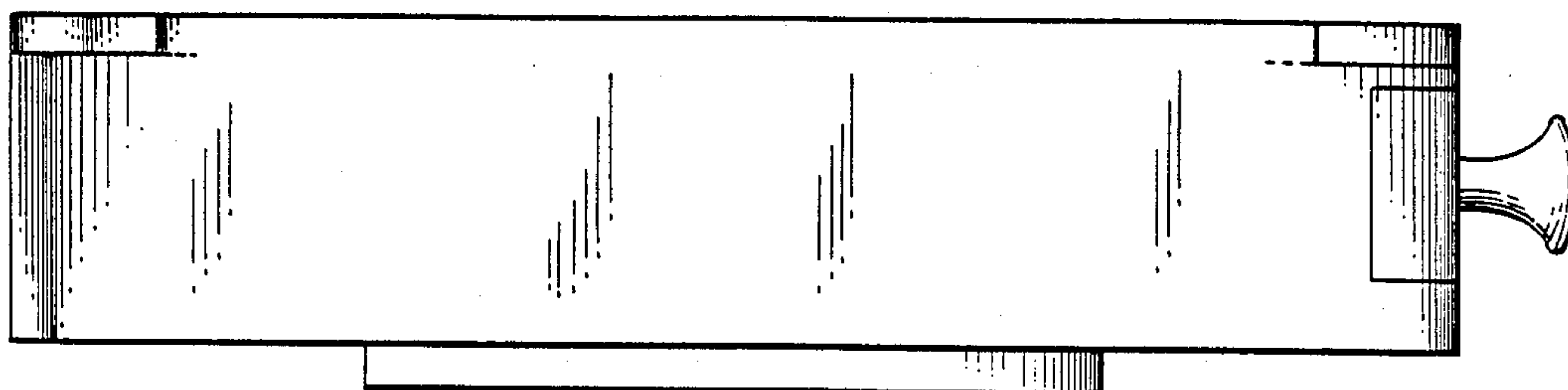
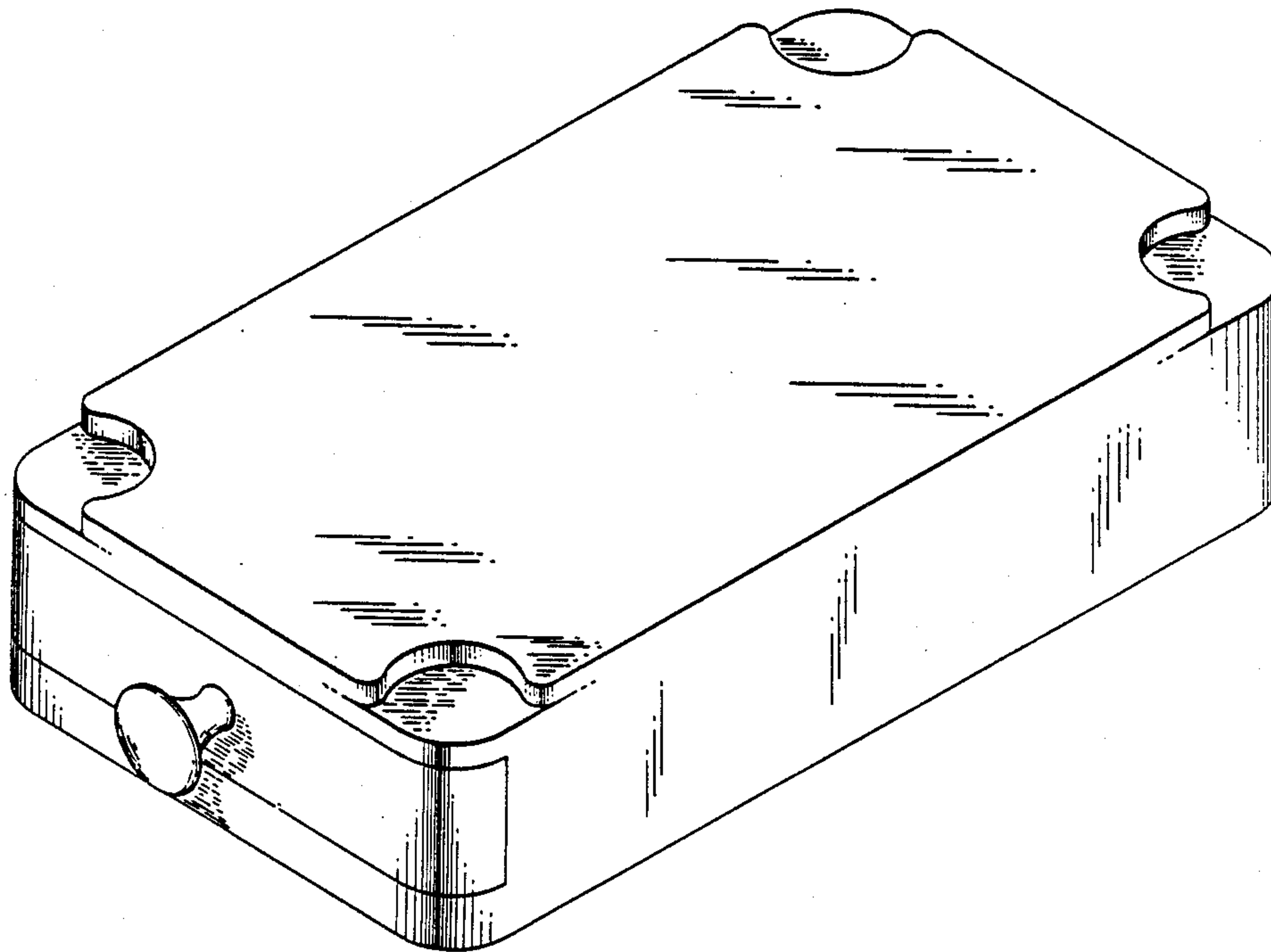
Primary Examiner—Wallace R. Burke  
Assistant Examiner—Horace B. Fay  
Attorney, Agent, or Firm—Richard L. Caslin

[57] CLAIM

The ornamental design for a combined swivel base and pull-out drawer for a telephone or similar article, as shown and described.

DESCRIPTION

FIG. 1 is a front, top and right side perspective view of a combined swivel base and pull-out drawer for a telephone or similar article showing our new design; FIG. 2 is a rear elevational view thereof; FIG. 3 is a bottom plan view thereof; FIG. 4 is a left side elevational view thereof, the side opposite being a mirror image; and FIG. 5 is a front, interior and right side perspective view of the pull-out drawer unit thereof shown independently solely for clarity of presentation and convenience of illustration.



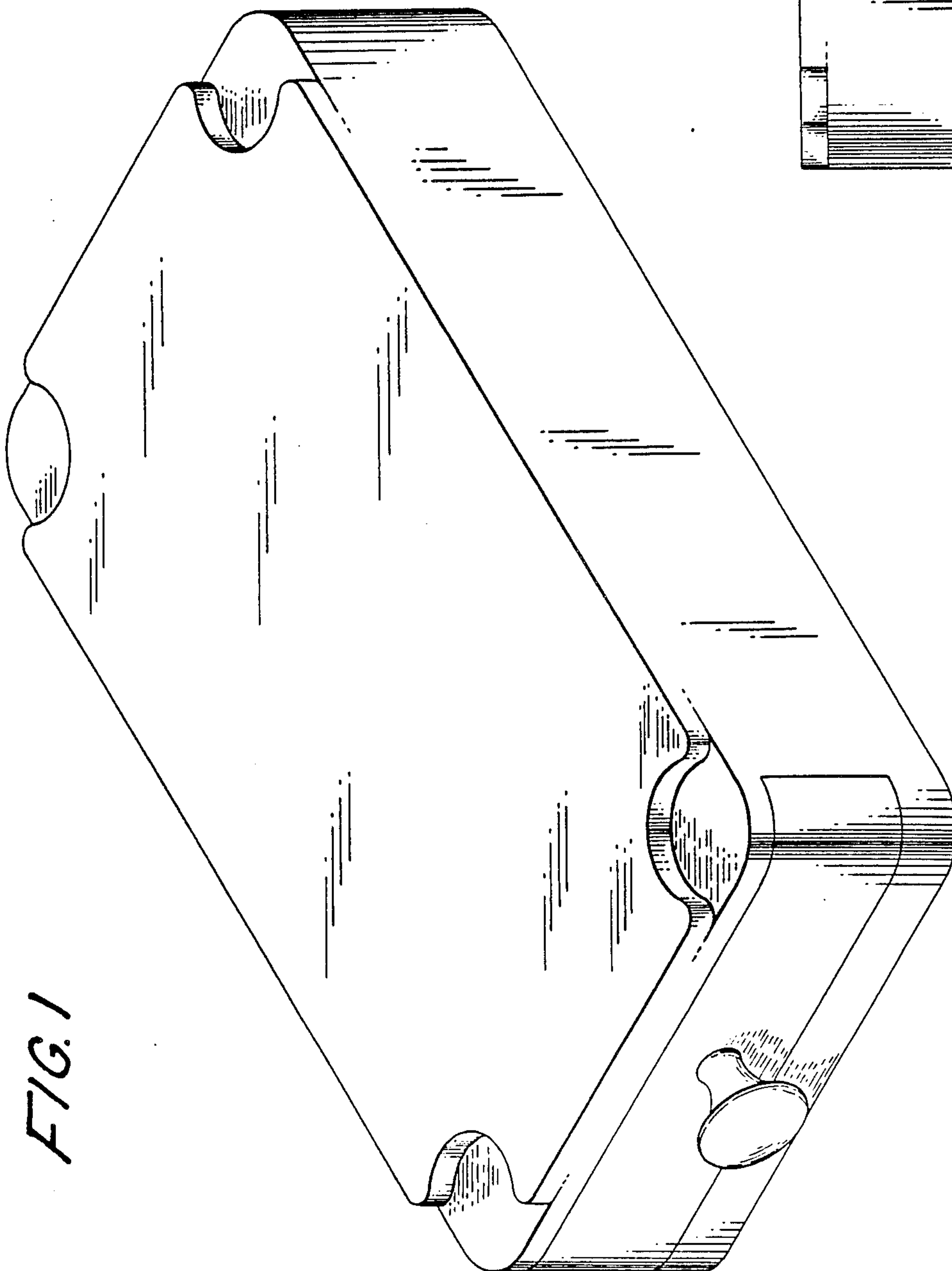


FIG. 1

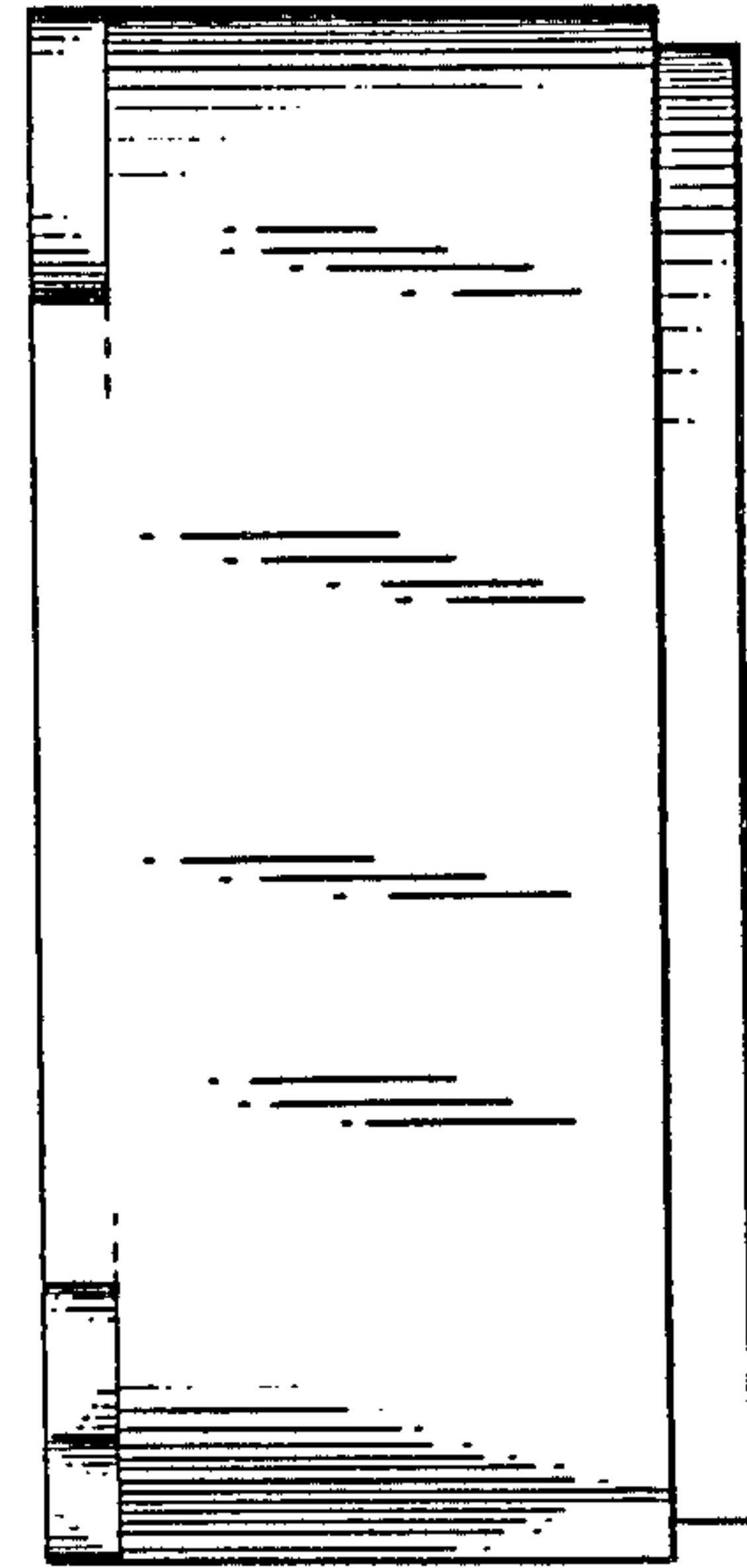


FIG. 2

FIG. 3

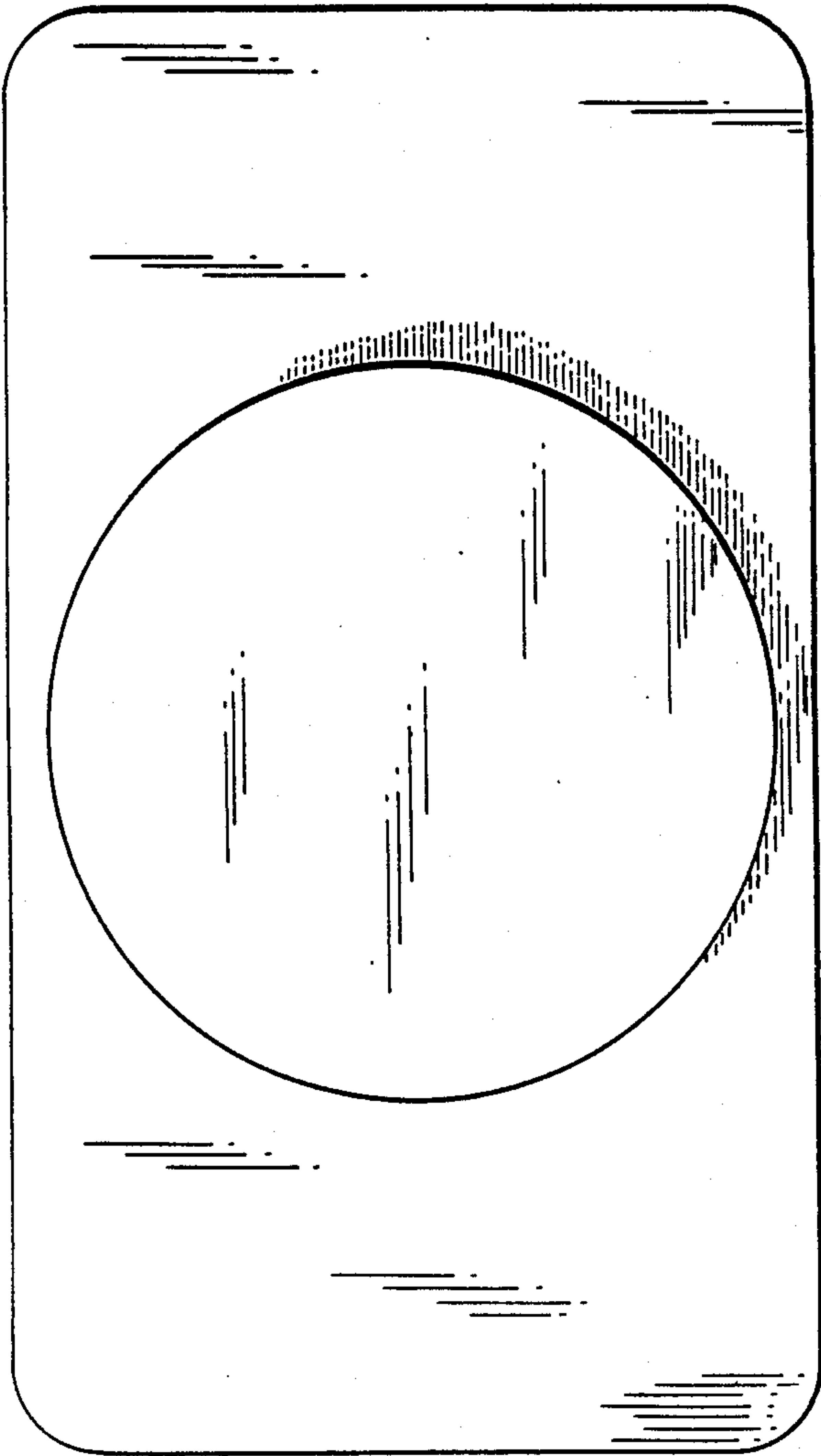


FIG. 5

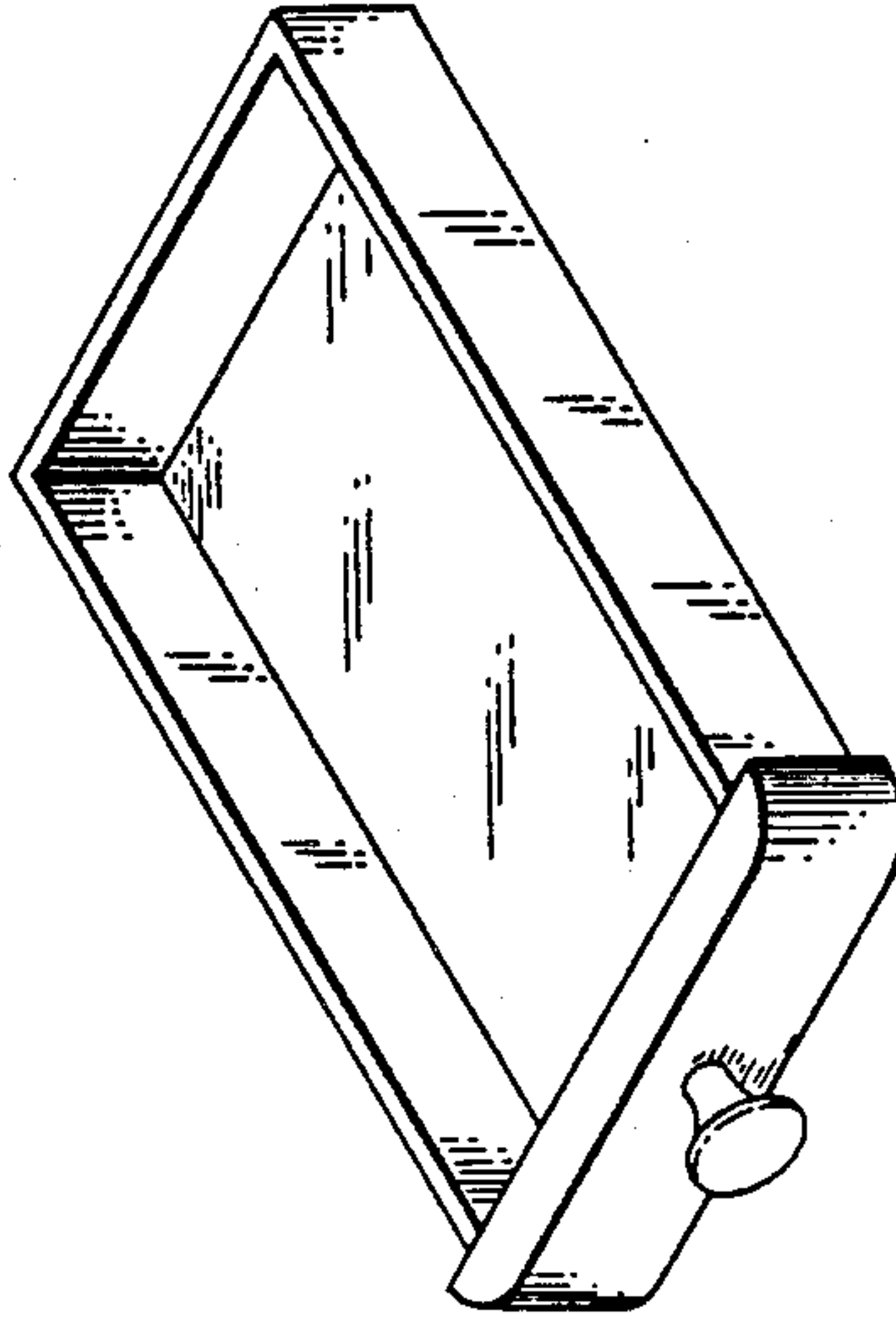


FIG. 4

