

[54] PORTABLE HANDSET TELEPHONE CASE

4,250,356 2/1981 Hornmer, Jr. et al. D14/61

[76] Inventor: Wade A. Woodfork, 1003 Church St.,
Apt. K, Gillette, Wyo. 82716

[**] Term: 14 Years

[21] Appl. No.: 704,588

[22] Filed: Feb. 22, 1985

[52] U.S. Cl. D14/59; D14/65

[58] Field of Search D14/52, 53, 56, 65,
D14/61; 379/455, 454, 436, 61, 62, 58

[56] References Cited

U.S. PATENT DOCUMENTS

D. 158,060	4/1950	Flatter et al.	D14/65
D. 229,190	11/1973	Lardell	D14/65
D. 237,893	12/1975	Wennerström	D14/95
D. 261,509	10/1981	Cobb	D14/65
D. 284,372	6/1986	Carpenter	D14/65
3,150,239	9/1964	Fielder, Jr.	379/455
3,956,600	5/1976	Ray	379/455

OTHER PUBLICATIONS

Electric Commun. Lab Tech. Journal, Japan, vol.
#7-pp. 2095-2122, (1977), Vertical Mounting at p.
2115.

Primary Examiner—Wallace R. Burke

Assistant Examiner—Horace B. Fay, Jr.

Attorney, Agent, or Firm—Berman, Aisenberg & Platt

[57] CLAIM

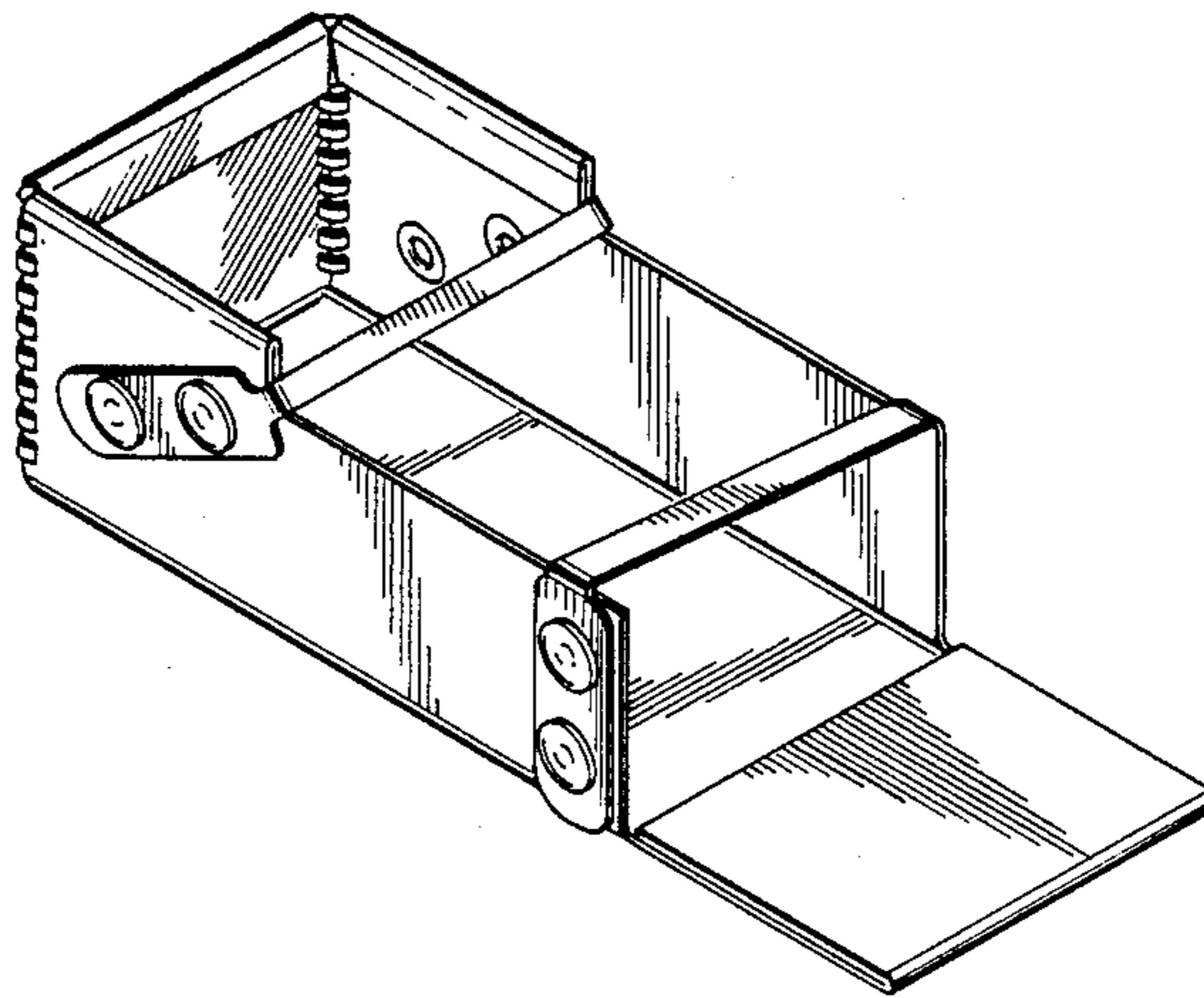
The ornamental design for a portable handset telephone
case, as shown and described.

DESCRIPTION

FIG. 1 is a front, and right side perspective view of a
portable handset telephone case showing my new de-
sign;

FIG. 2 is a rear and left side perspective view thereof;
and

FIG. 3 is a bottom plan view thereof.



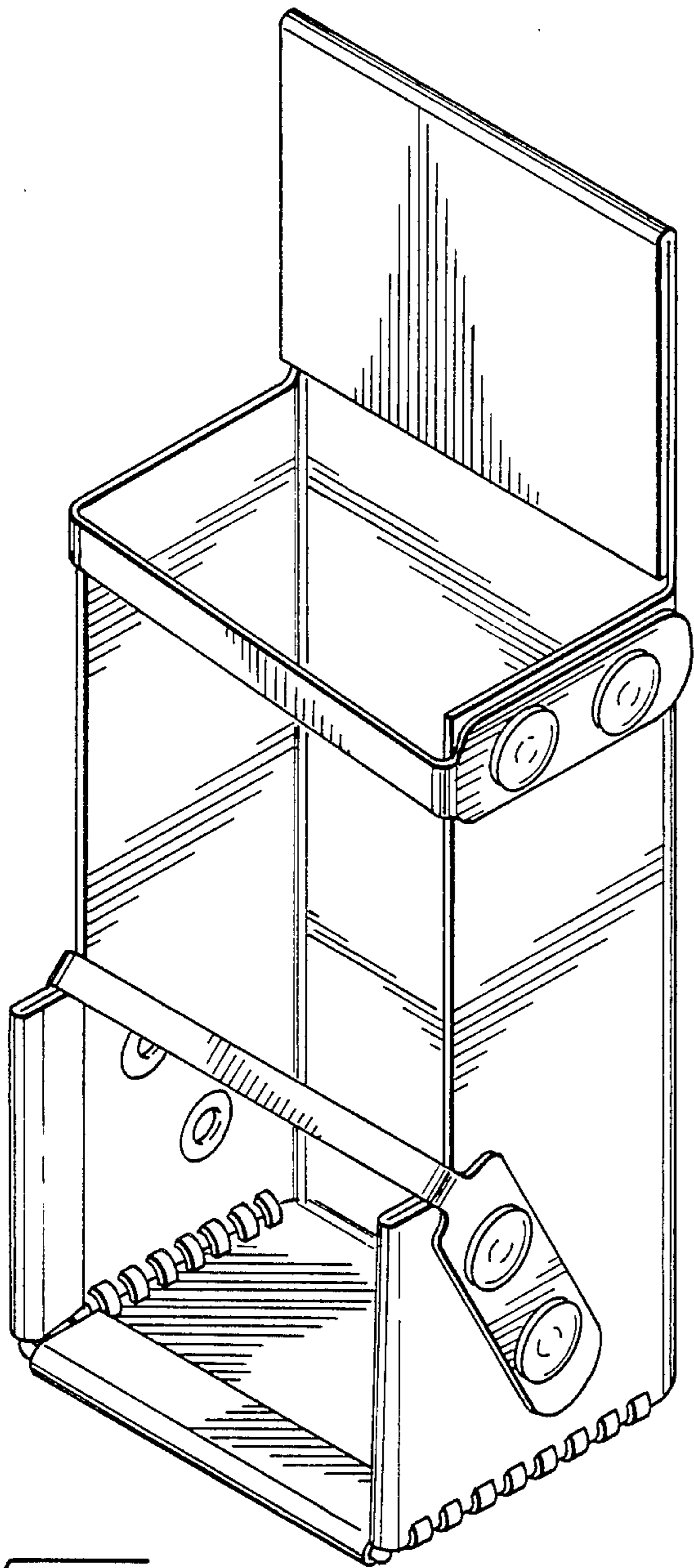


FIG 1

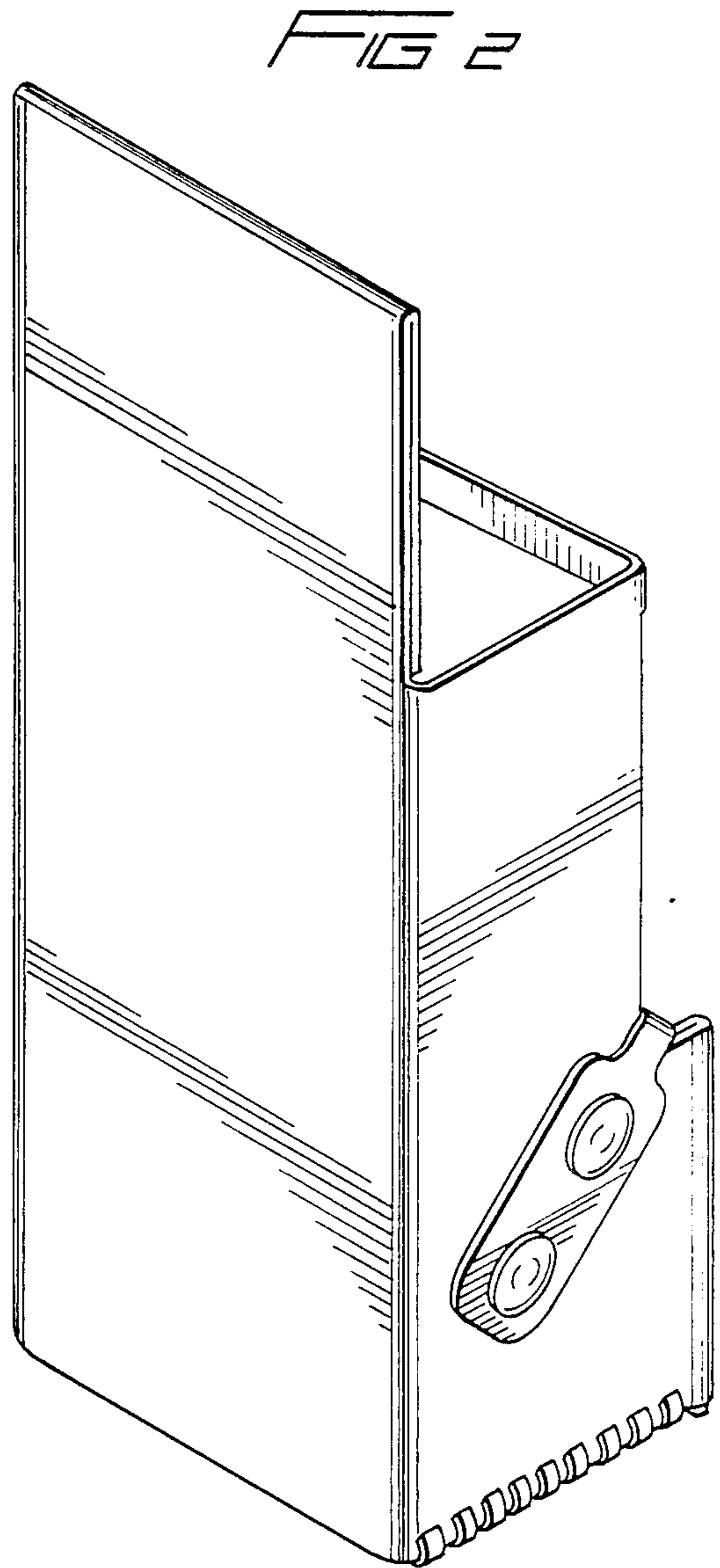


FIG 2

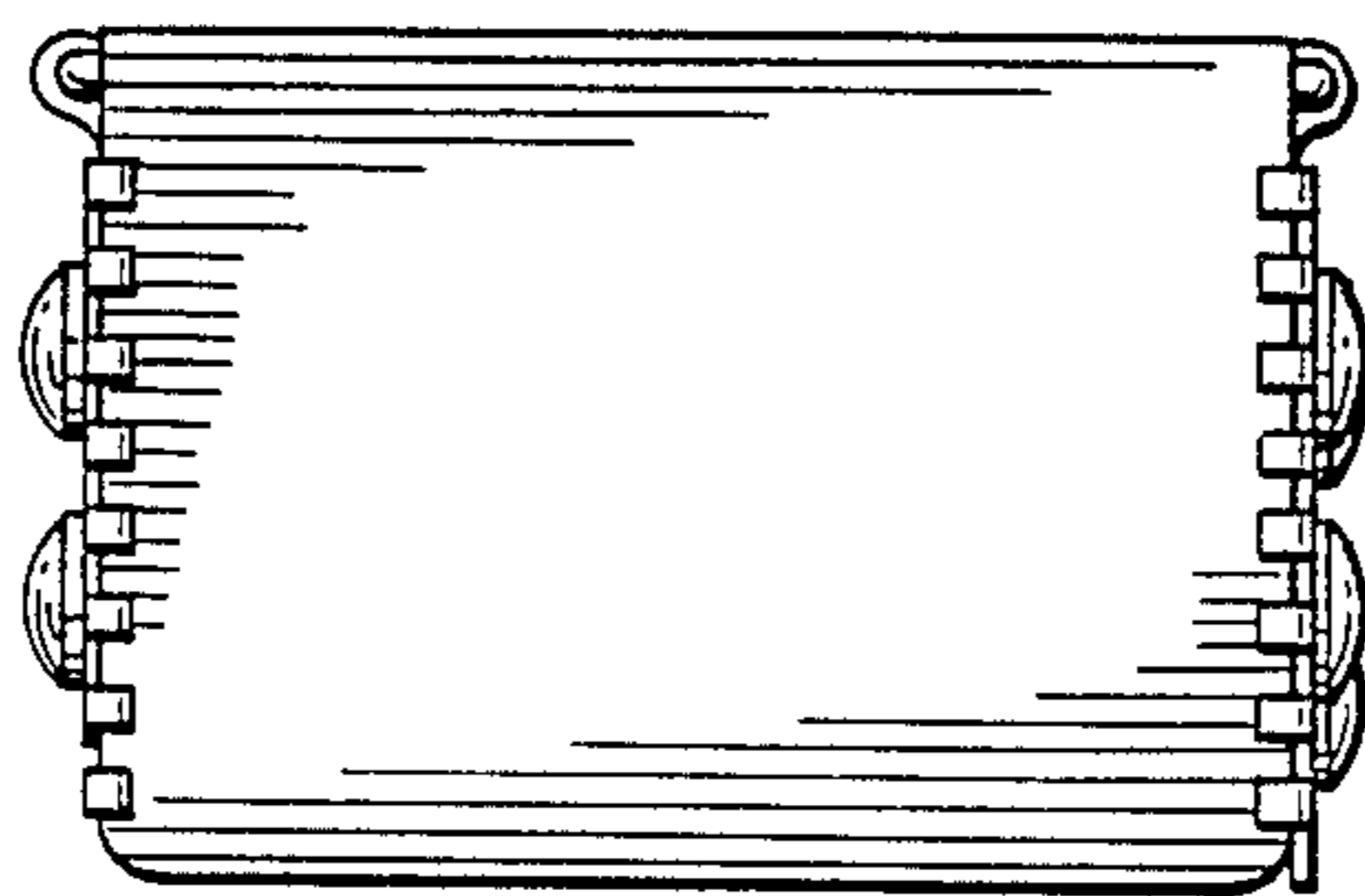


FIG 3