

[54] TOOL BOX FOR PICK-UP TRUCKS

[57] CLAIM

[76] Inventor: Gerald Hoyt, 4626 Rockford Ct., Charlotte, N.C. 28209

The ornamental design for a tool box for pick-up trucks, as shown and described.

[\*\*] Term: 14 Years

DESCRIPTION

[21] Appl. No.: 838,040

FIG. 1 is a top, front perspective view of a tool box for pickup trucks showing my new design;

[22] Filed: Feb. 27, 1986

FIG. 2 is a rear elevation view thereof;

[52] U.S. Cl. .... D12/157

FIG. 3 is a perspective view of the top, front and one end thereof with one of the lids in open condition;

[58] Field of Search ..... D12/157; D3/40; 296/37.6; 224/42.11, 42.42

FIG. 4 is a bottom plan view thereof;

FIG. 5 is a top front perspective view of a tool box for pickup trucks showing a second embodiment of my new design;

[56] References Cited

U.S. PATENT DOCUMENTS

D. 274,139 6/1984 Suffern et al. .... D12/157

FIG. 6 is a rear elevation view of the embodiment of FIG. 5;

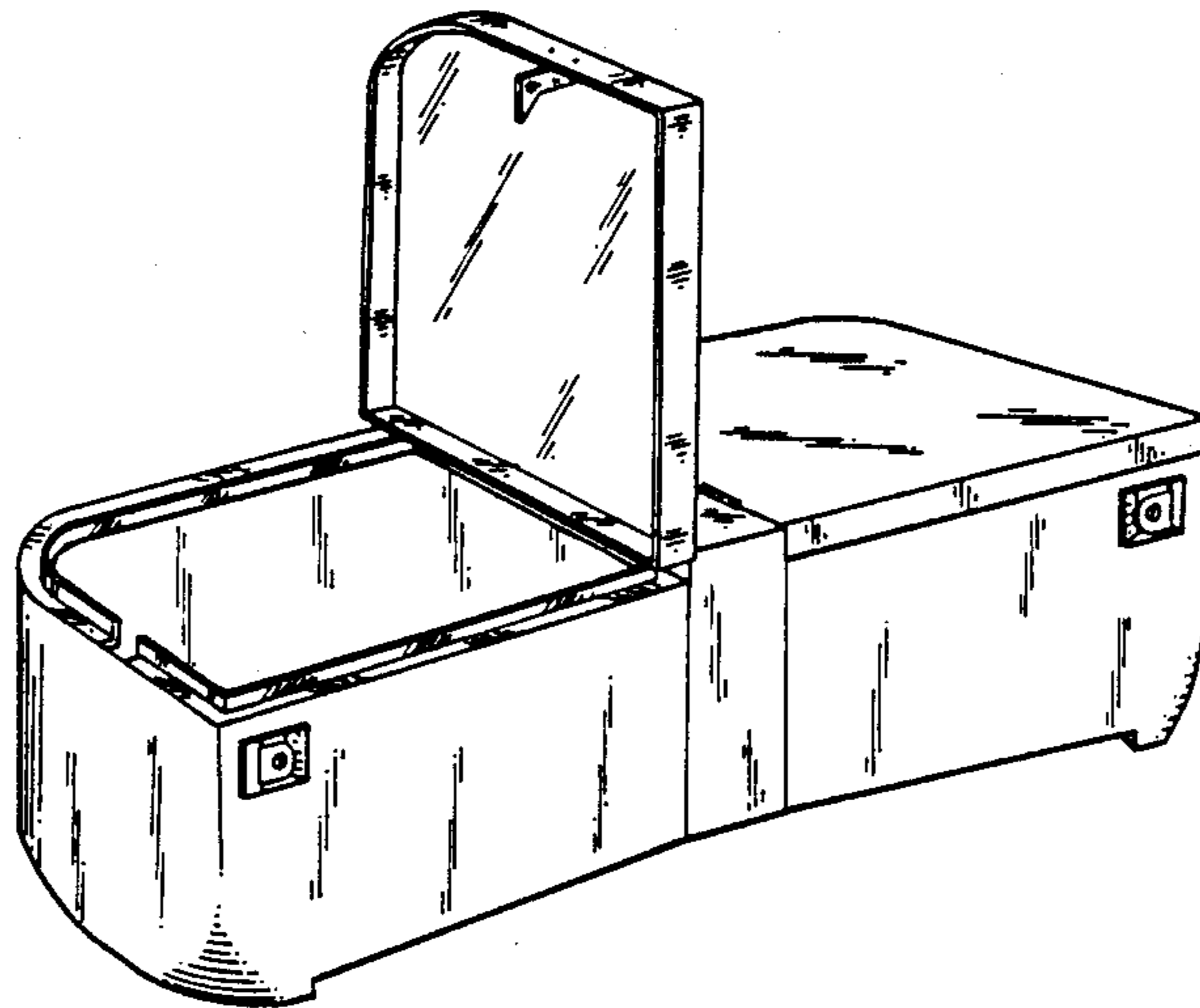
FIG. 7 is a perspective view of the top, front and one end of the embodiment of FIG. 5 with one of the lids in open condition; and

FIG. 8 is a bottom plan view of the embodiment of FIG. 5.

Primary Examiner—James M. Gandy

Attorney, Agent, or Firm—Charles R. Rhodes; Judith E. Garmon

The broken line showing of a pickup truck in FIGS. 1 and 5 of the drawing is for illustrative purposes only and forms no part of the claimed design.



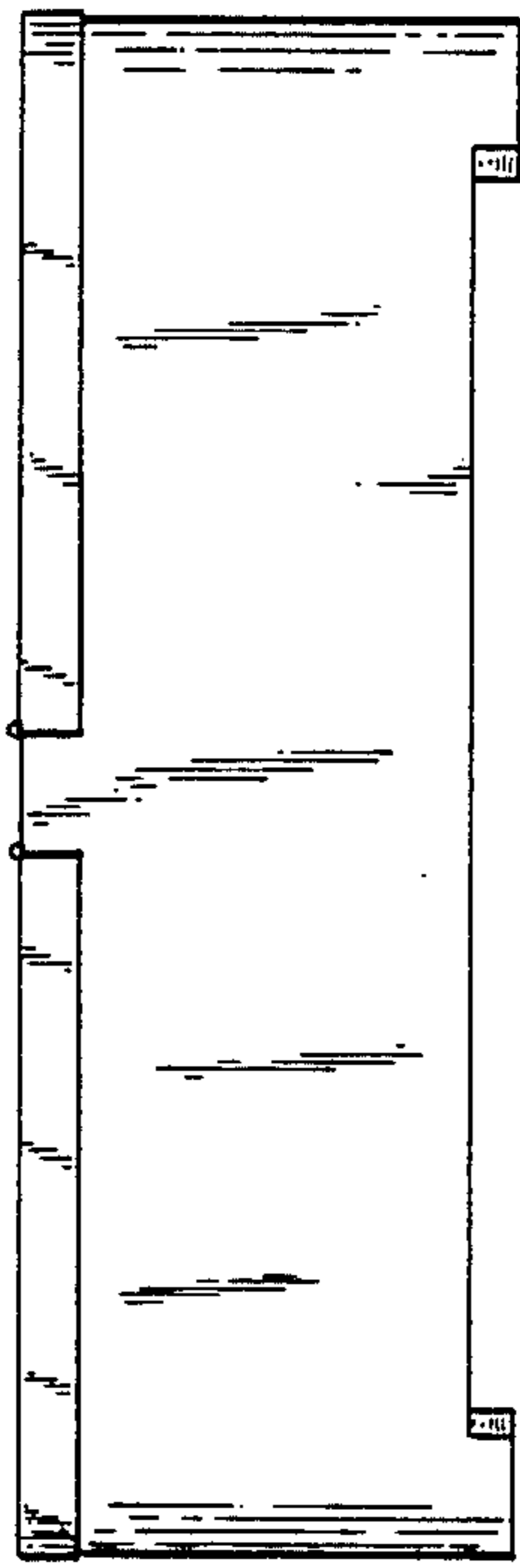


FIG. 2

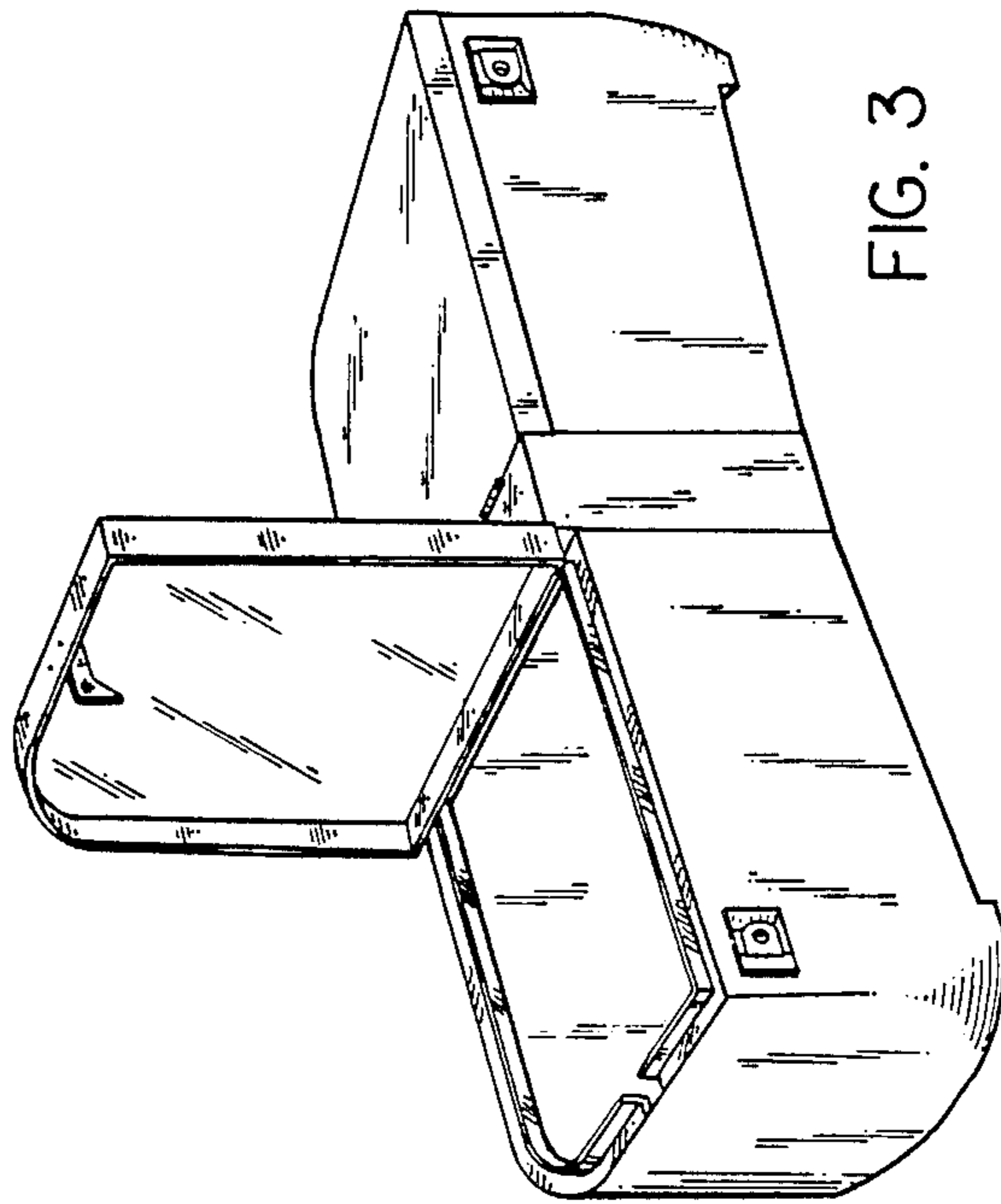


FIG. 3

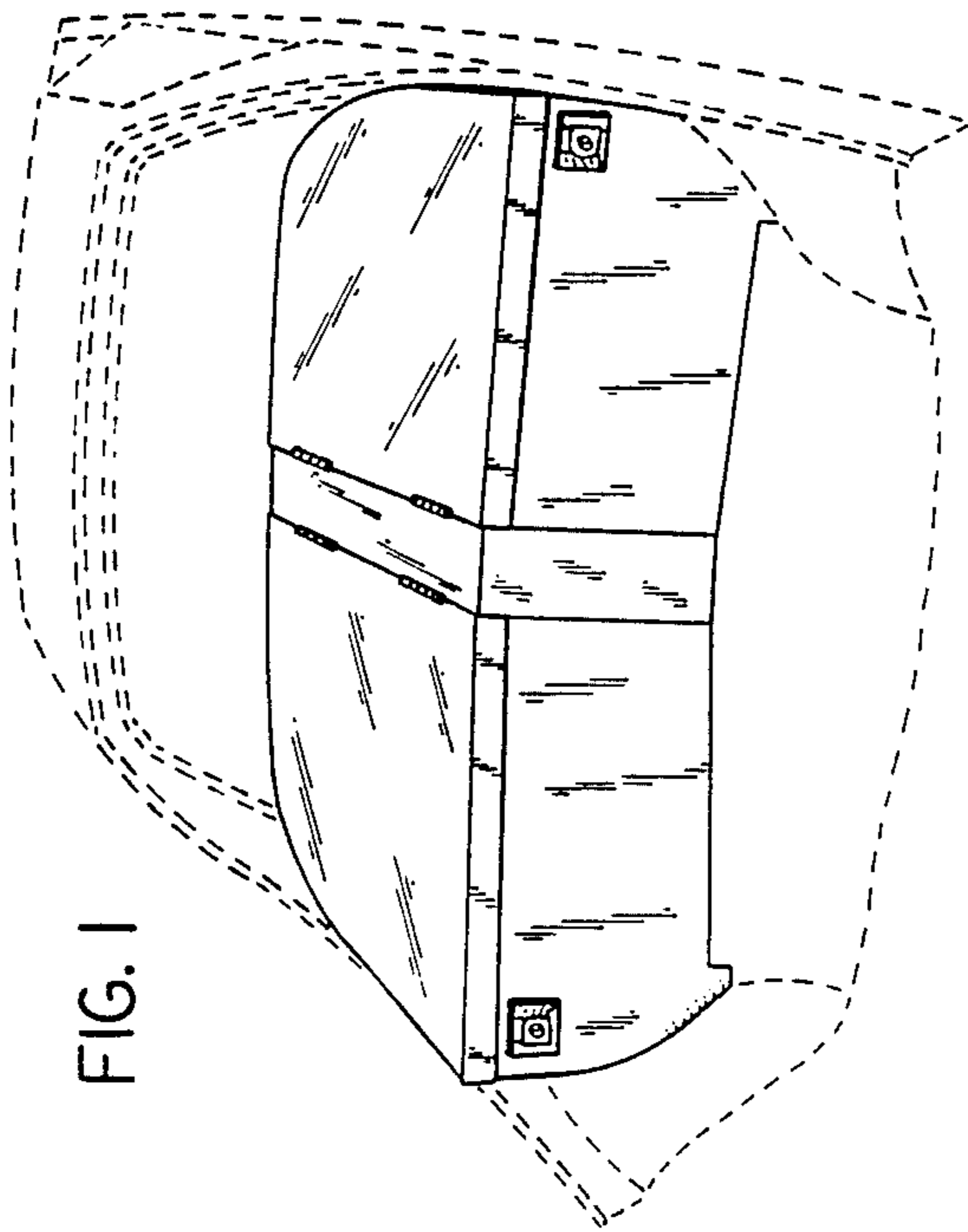


FIG. 1

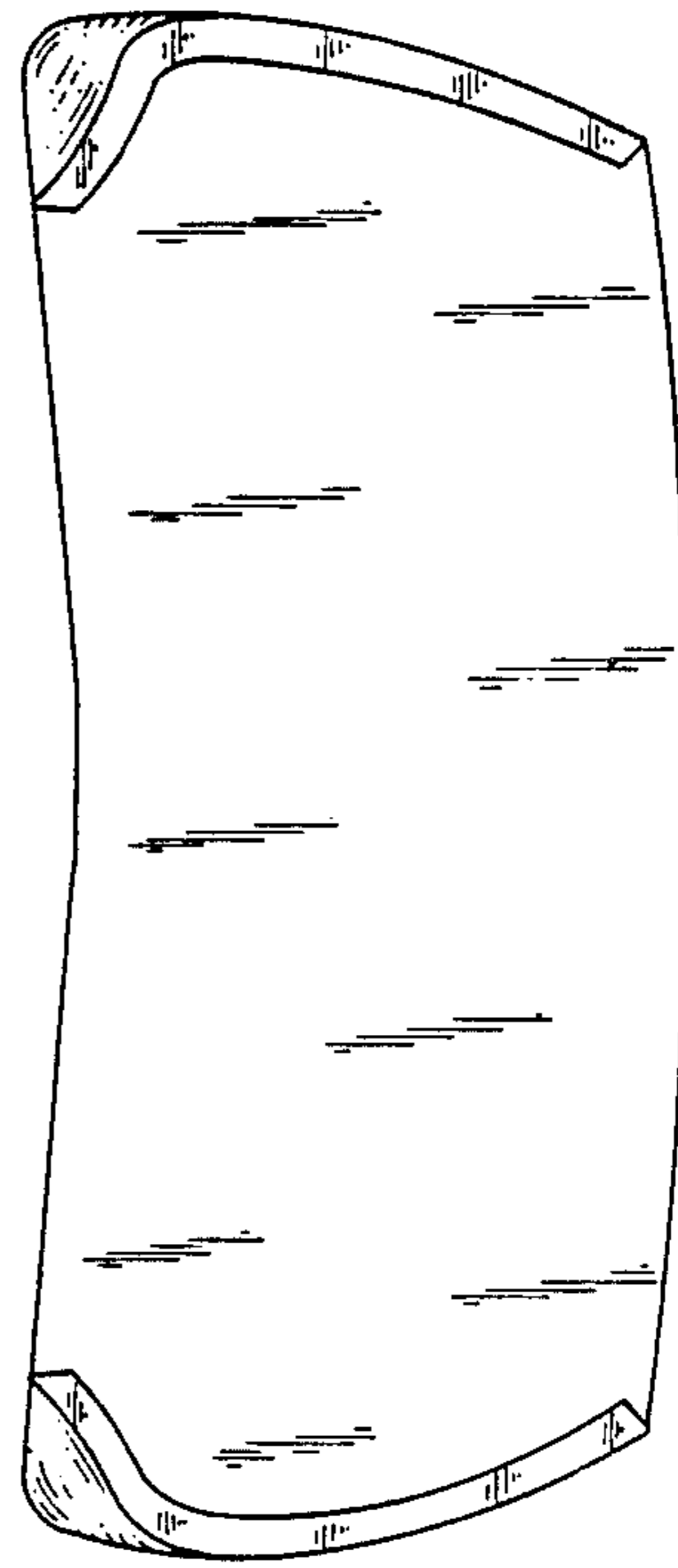


FIG. 4

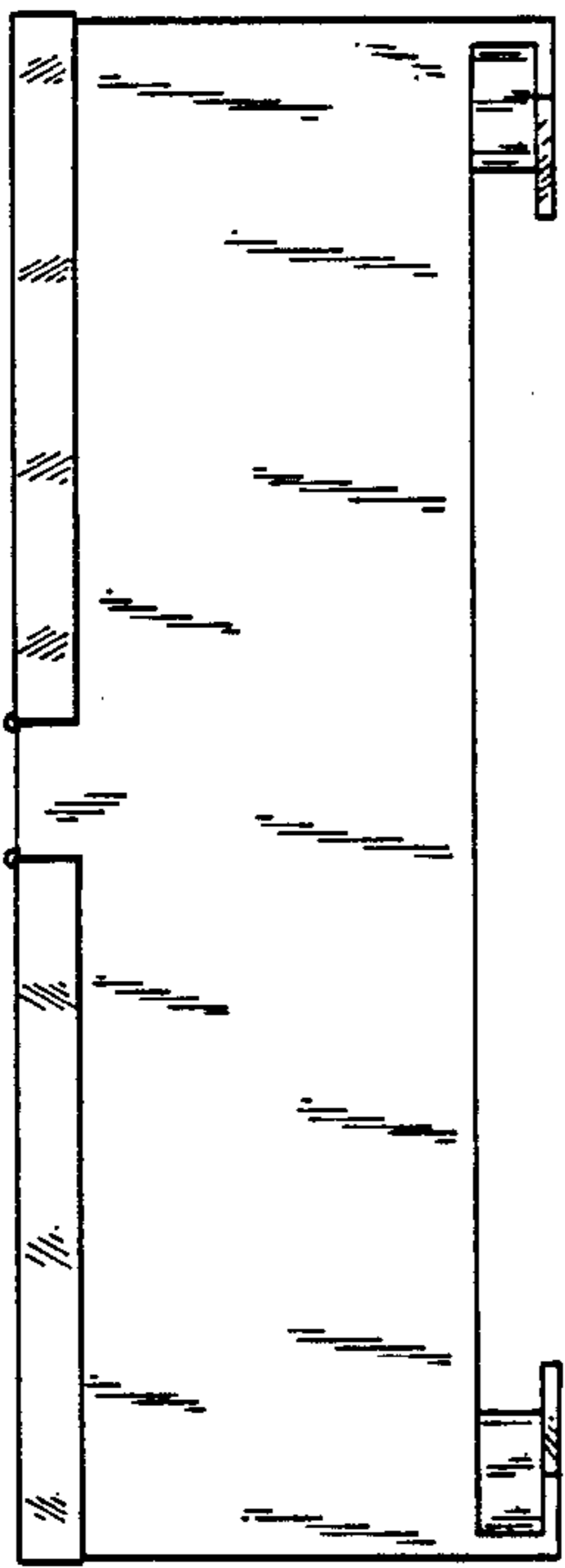


FIG. 6

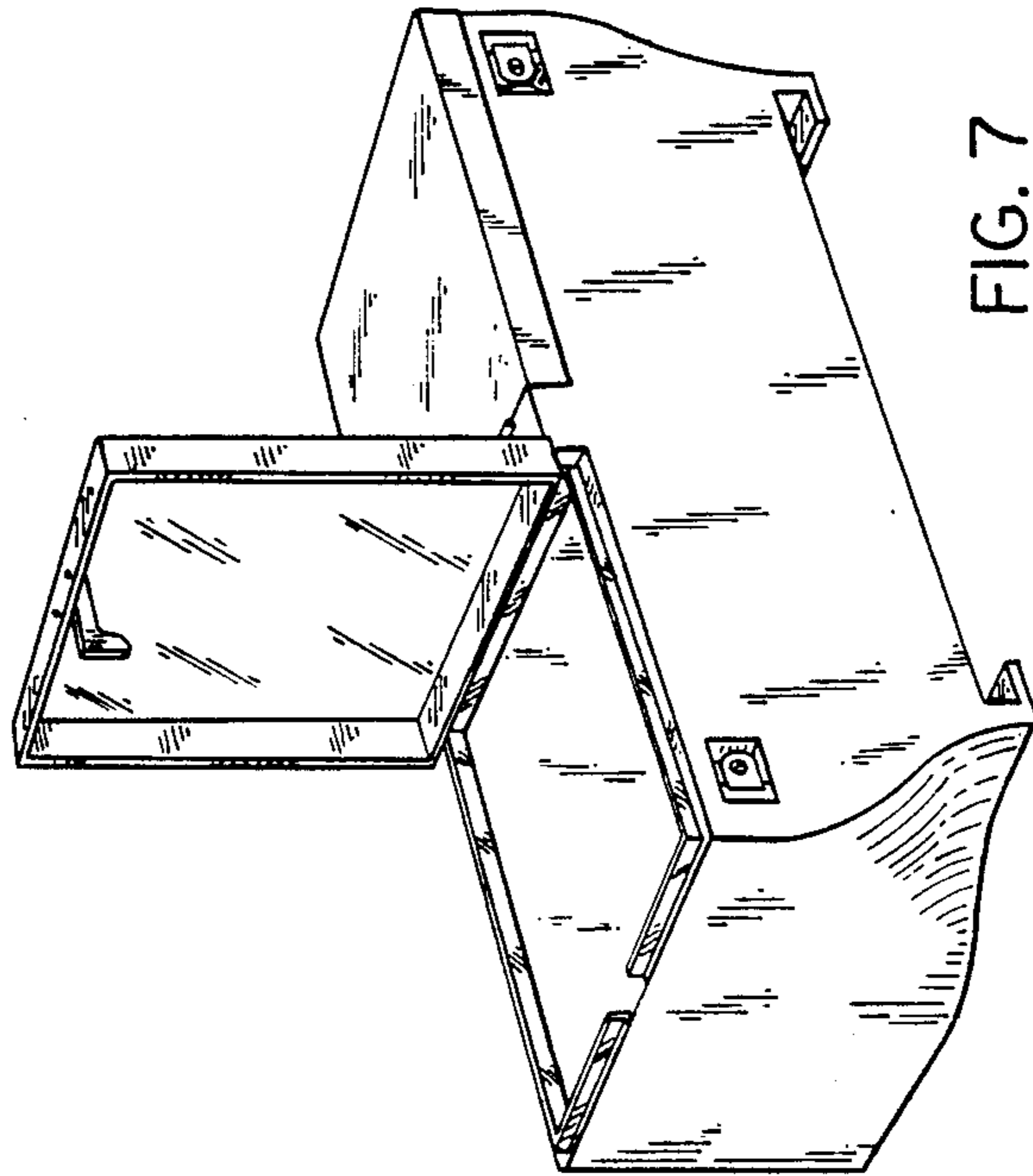


FIG. 7

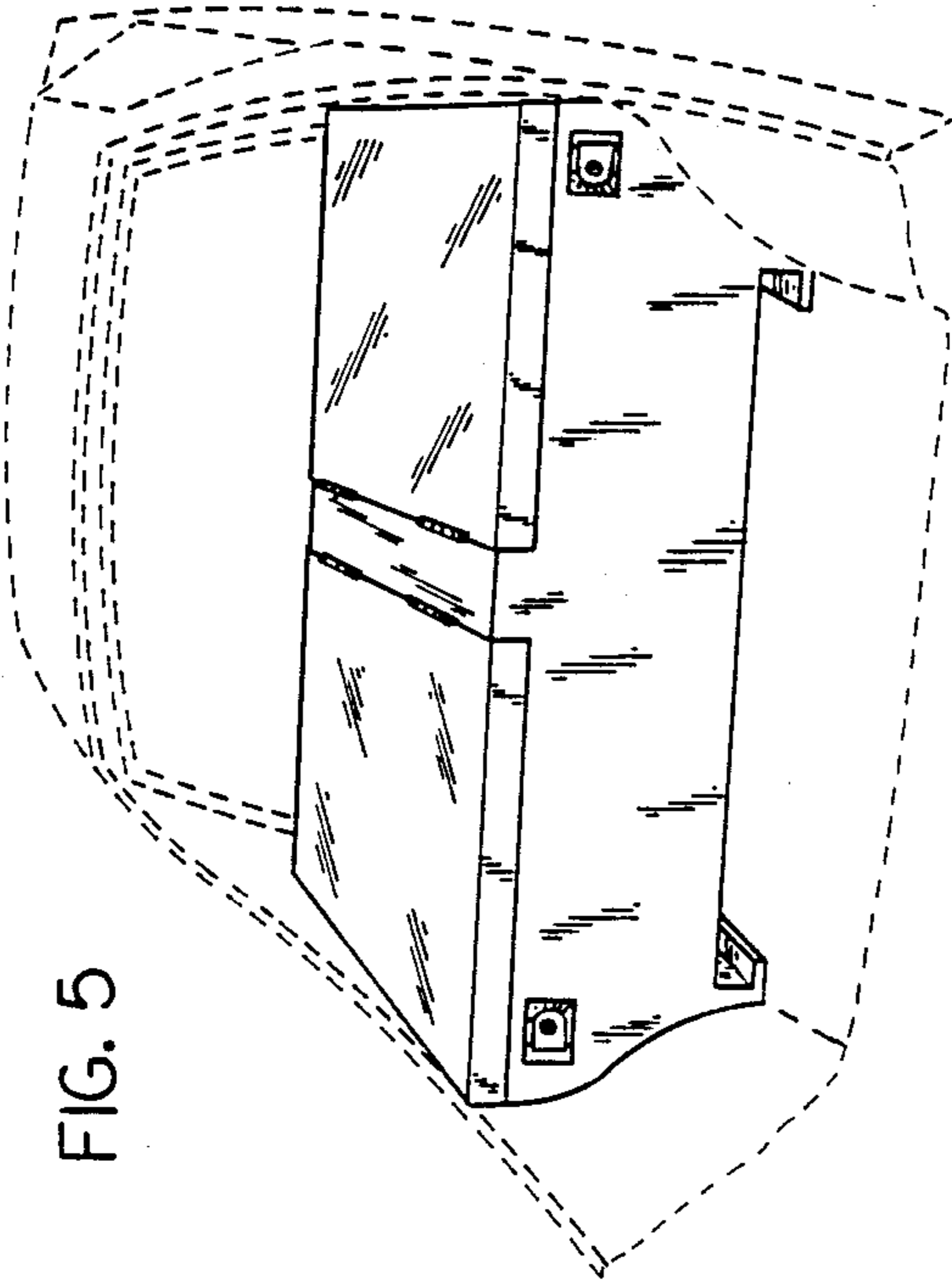


FIG. 5

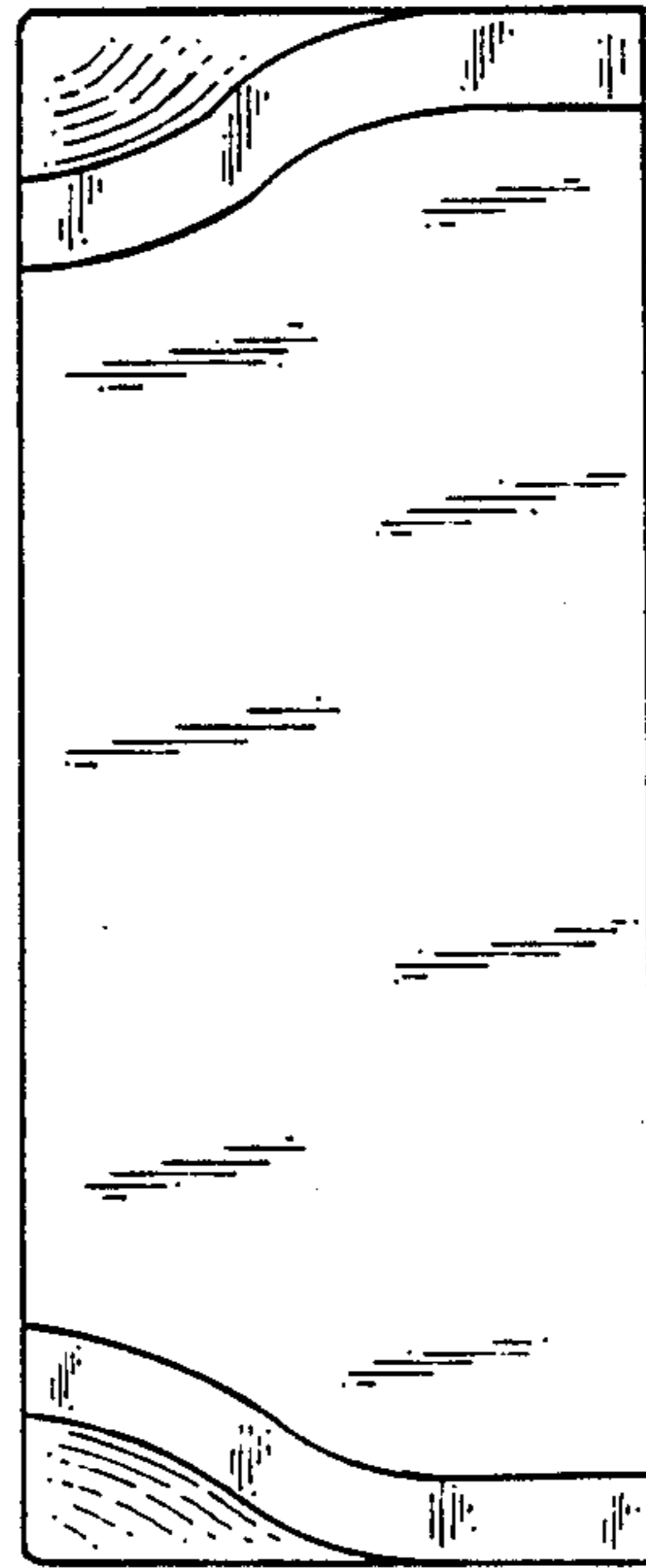


FIG. 8