

[54] WHEELCHAIR FOR BEACH AND WATER

[76] Inventors: James S. Rice, 2316 Jackson Ave.;
William L. Klohn, 1100 3rd St. South,
both of Naples, Fla. 33940

[**] Term: 14 Years

[21] Appl. No.: 726,355

[22] Filed: Apr. 23, 1985

[52] U.S. Cl. D12/131; D6/378

[58] Field of Search D12/128, 131, 205;
280/289 WC; 297/DIG. 4; 248/188.9; D6/378;
D34/24

[56] References Cited

U.S. PATENT DOCUMENTS

- 716,735 12/1902 Mitchell 297/DIG. 4
- 2,665,743 1/1954 Cosper 297/DIG. 4
- 4,484,780 11/1984 Thompson 297/DIG. 4

- 4,632,451 12/1986 Lee 280/289 WC
- 4,658,521 4/1987 Thorpe 248/188.9

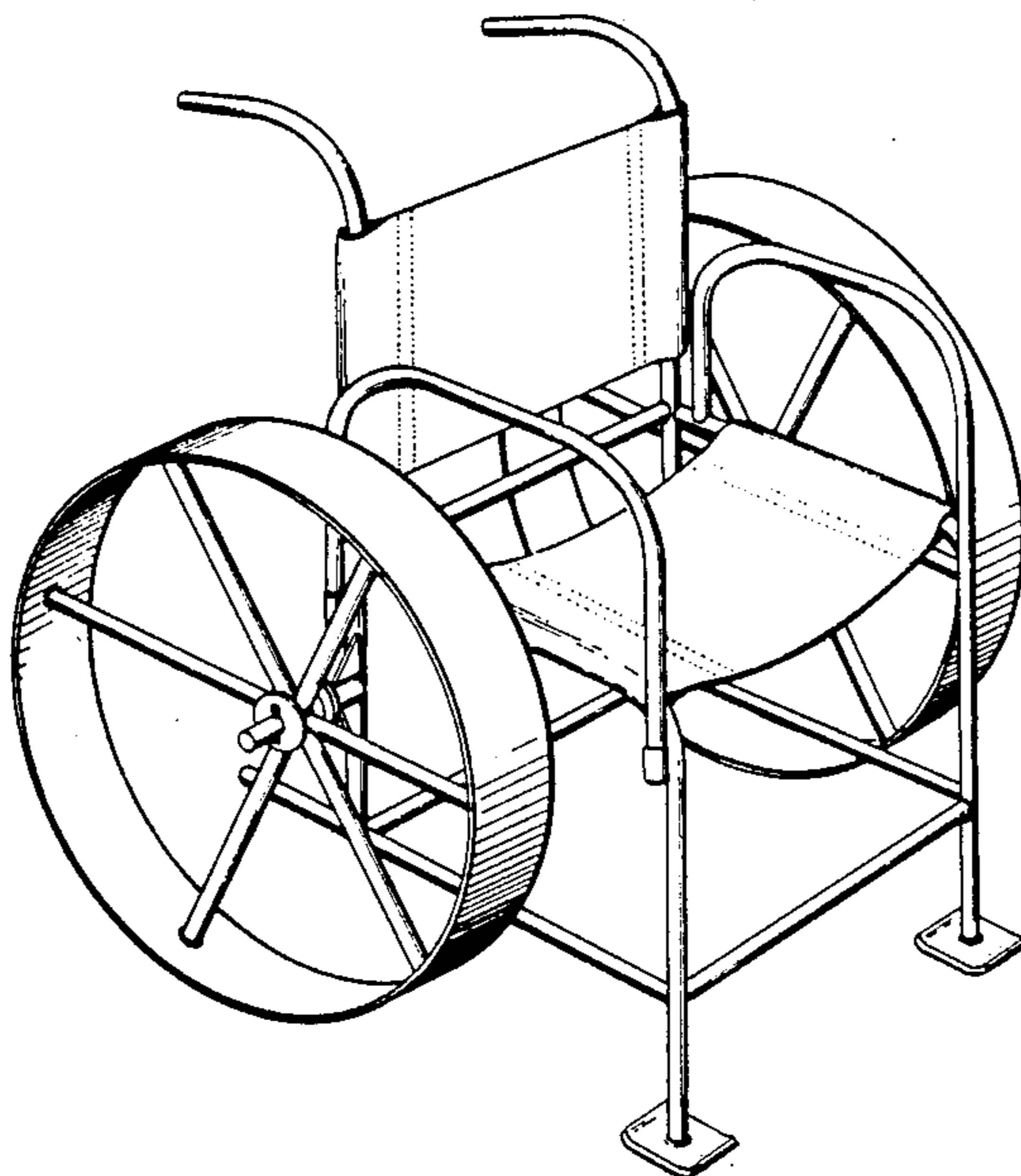
Primary Examiner—James M. Gandy
Assistant Examiner—Kay H. Chin
Attorney, Agent, or Firm—Brady, O'Boyle & Gates

[57] CLAIM

The ornamental design for a wheelchair for beach and water, substantially as shown and described.

DESCRIPTION

FIG. 1 is a front perspective view of a wheelchair for beach and water showing our new design;
FIG. 2 is a left side elevational view thereof;
FIG. 3 is a right side elevational view thereof;
FIG. 4 is top plan view thereof;
FIG. 5 is a bottom plan view thereof;
FIG. 6 is a front elevational view thereof; and
FIG. 7 is a rear elevational view thereof.



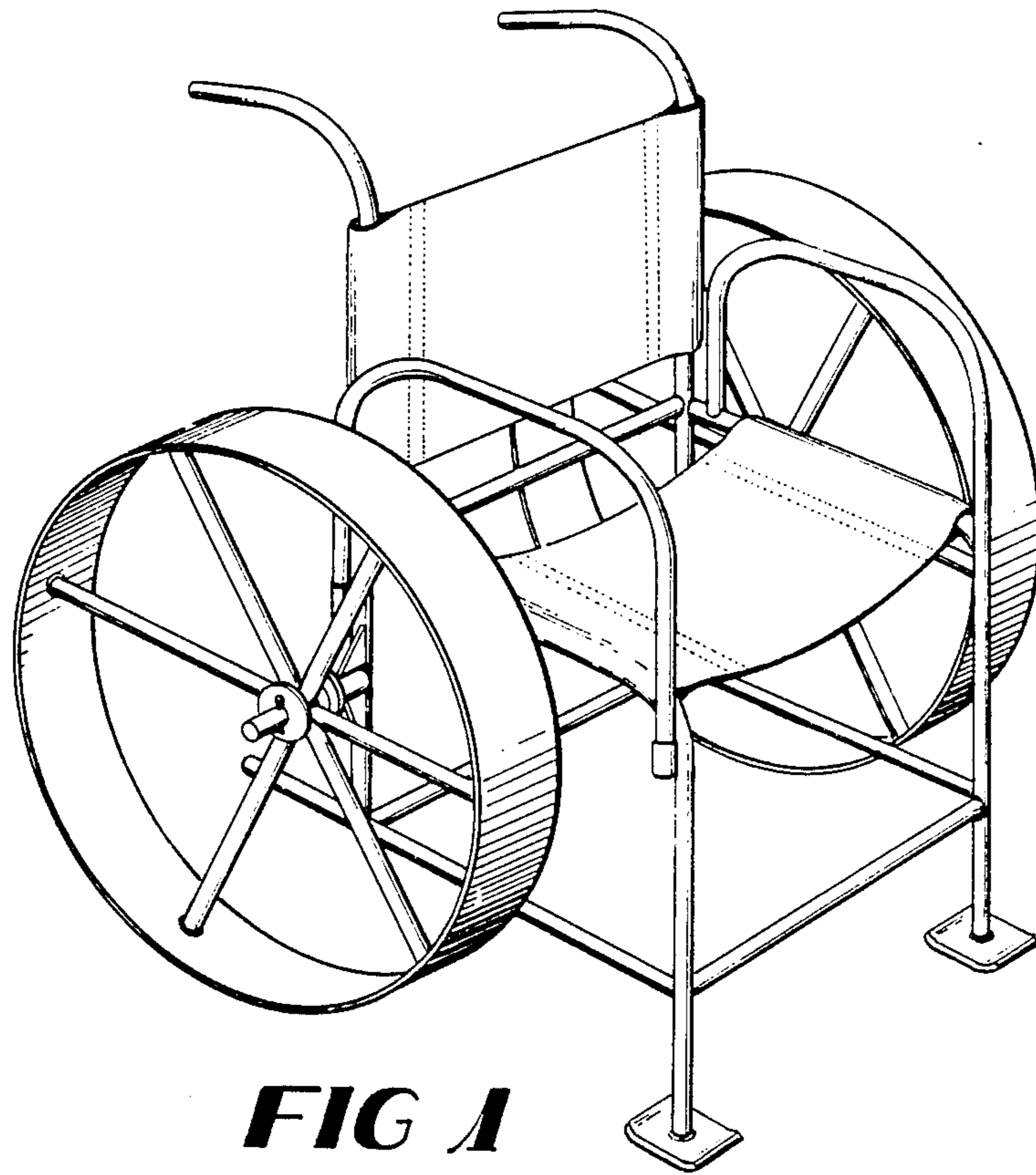


FIG 1

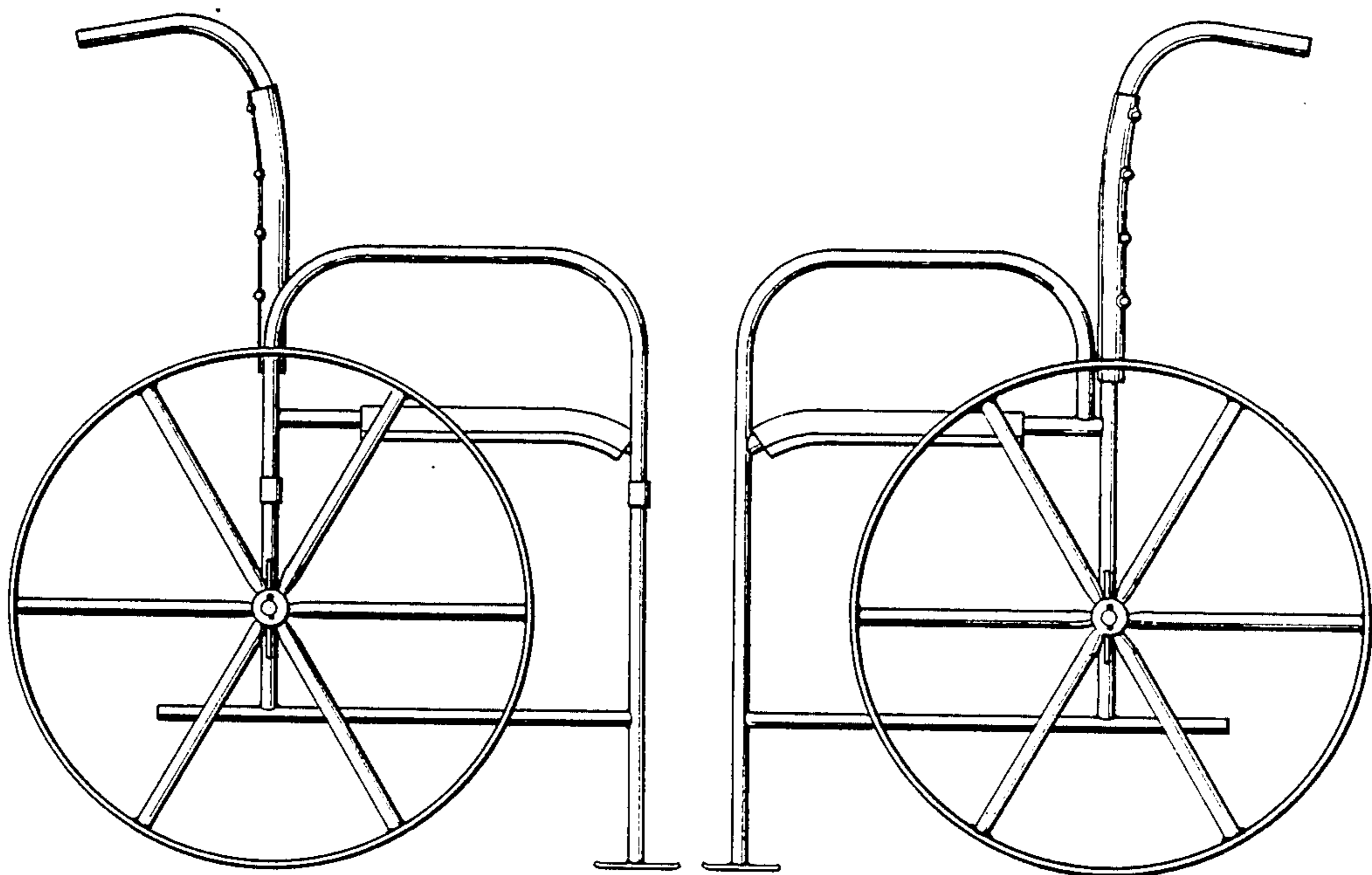


FIG 2

FIG 3

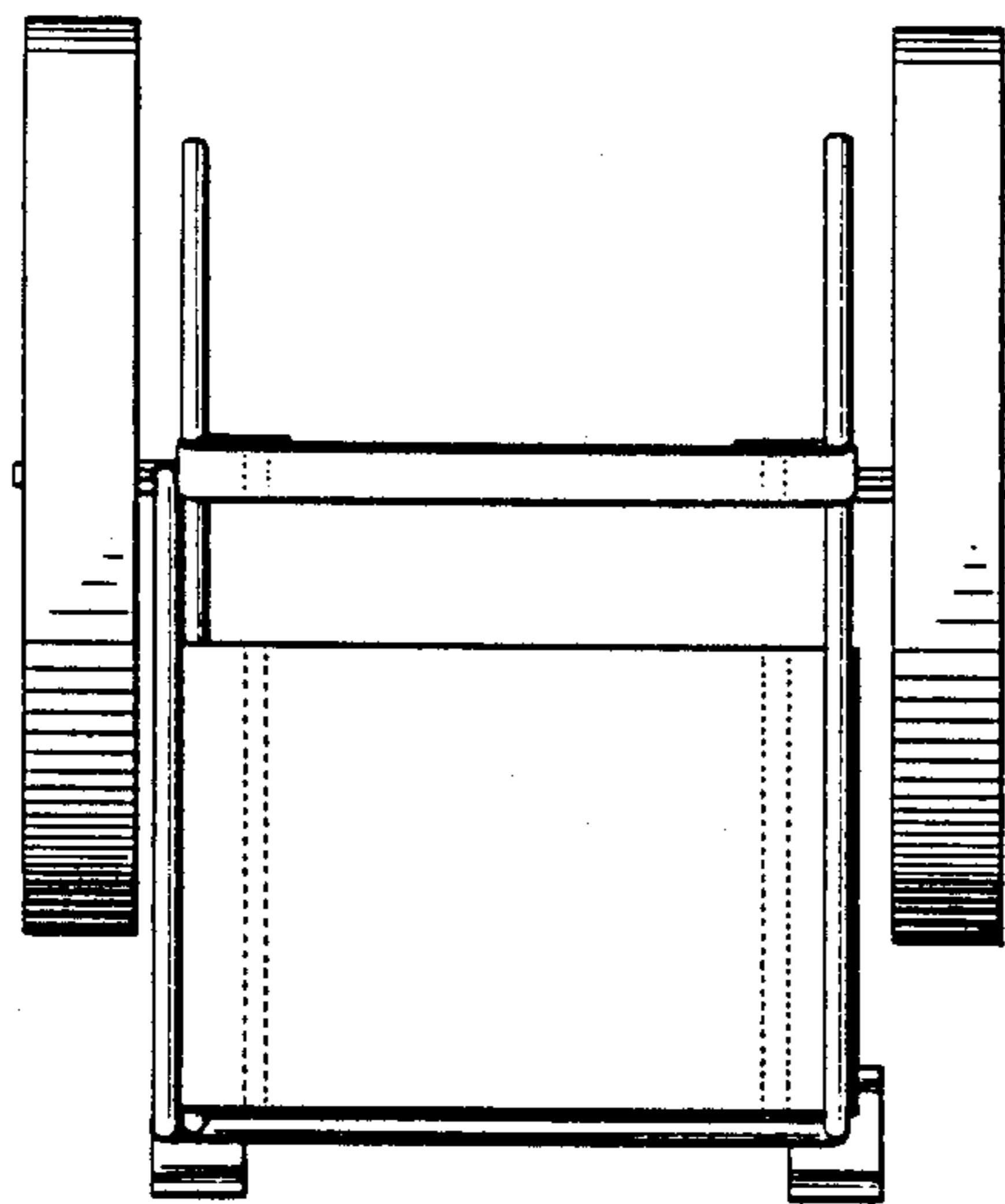


FIG 4

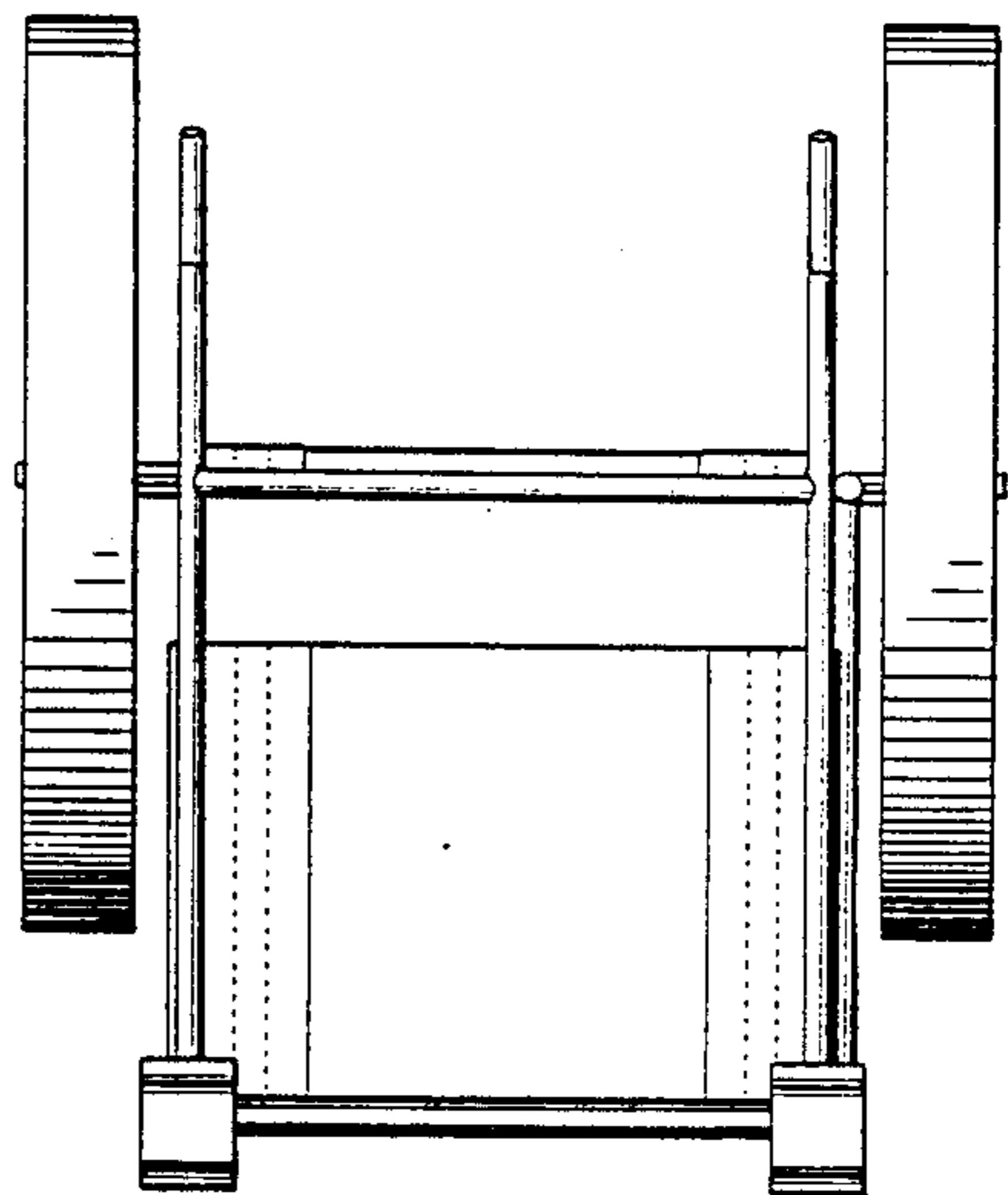


FIG 5

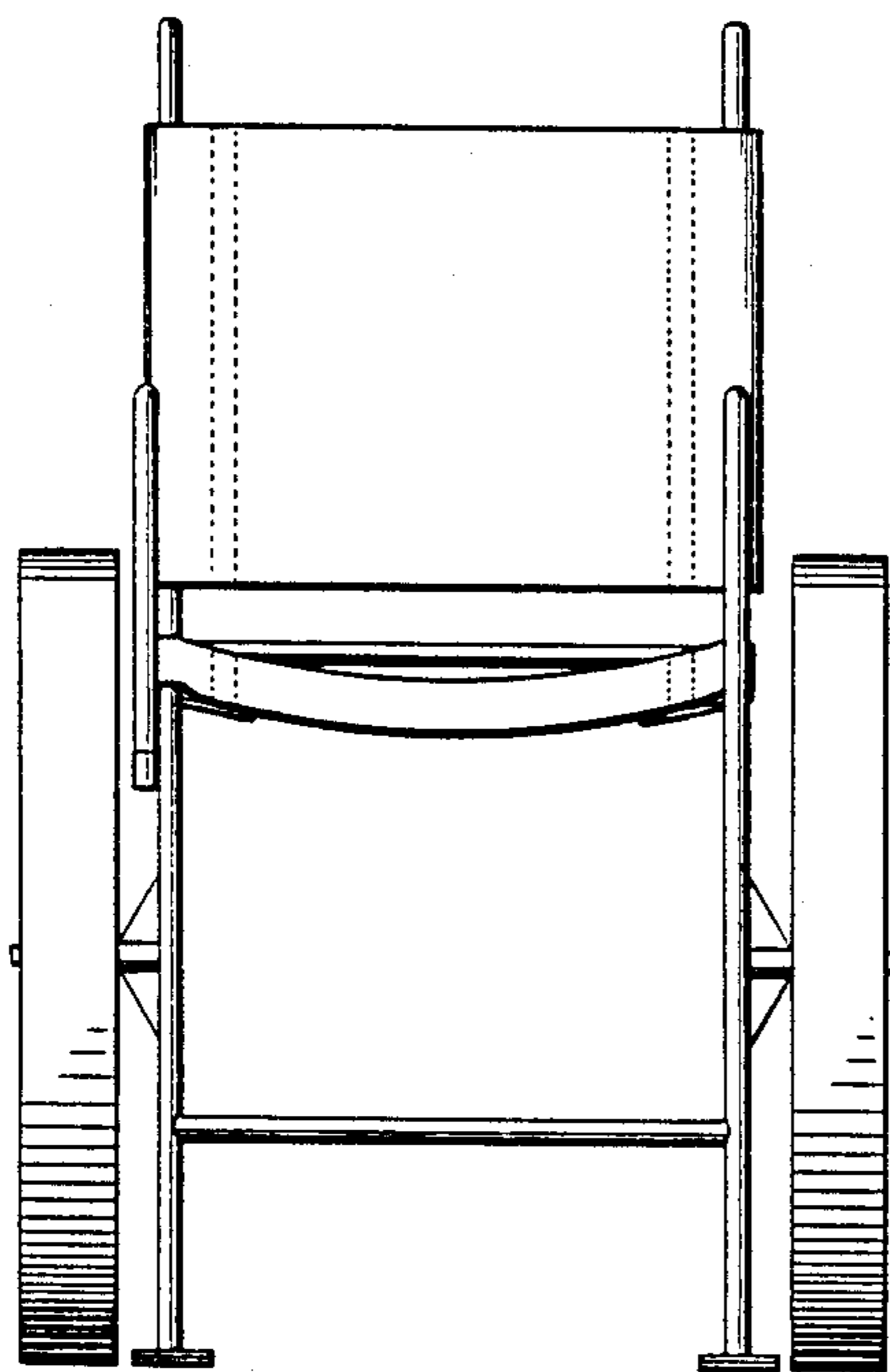


FIG 6

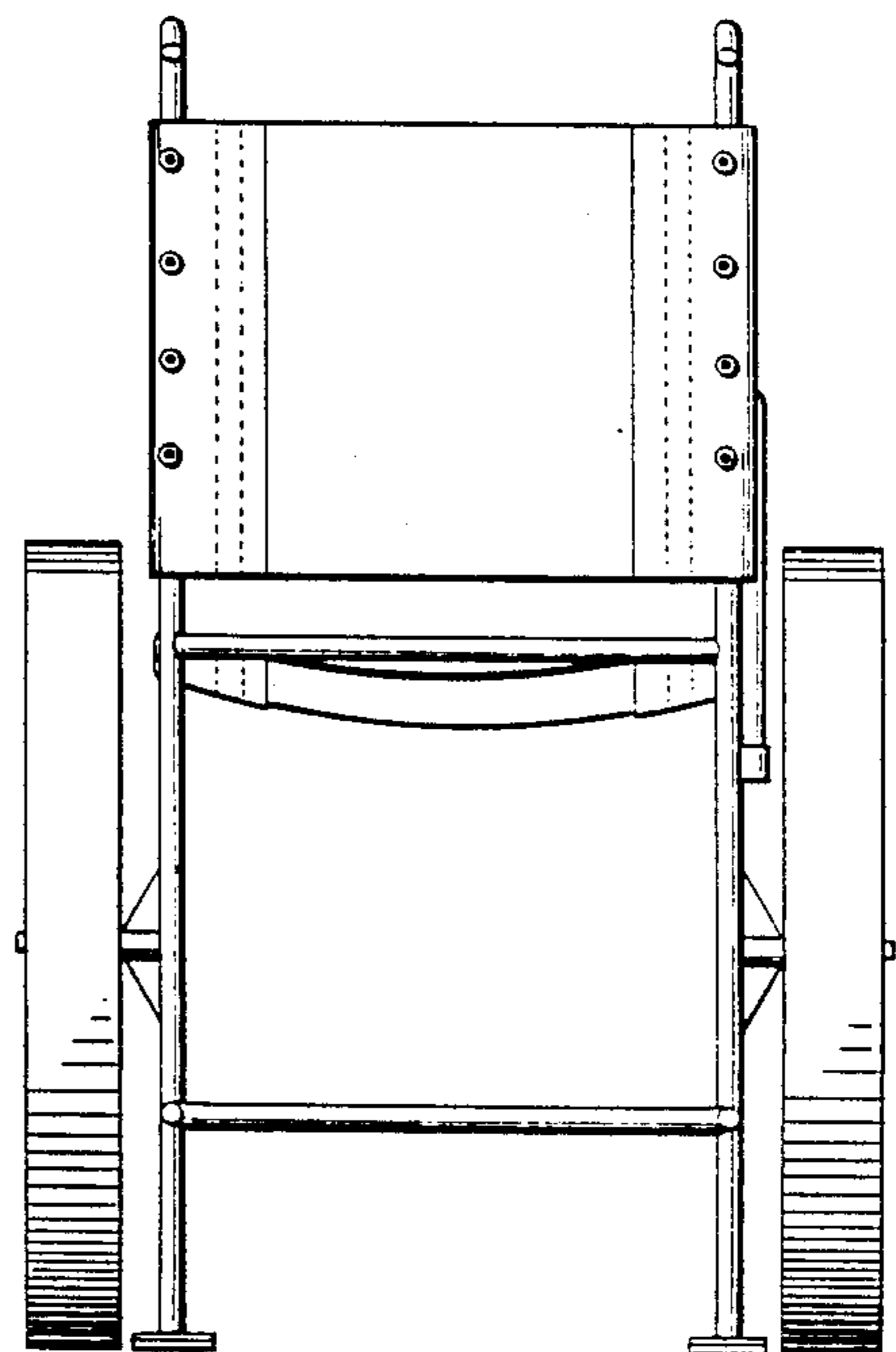


FIG 7