

[54] MAGNETIC FASTENER

[76] Inventor: Tamao Morita, 47-1, 6-chome, Arakawa, Arakawa-ku, Tokyo, Japan, 116

[*] Notice: The portion of the term of this patent subsequent to May 15, 1998 has been disclaimed.

[**] Term: 14 Years

[21] Appl. No.: 724,107

[22] Filed: Apr. 17, 1985

[52] U.S. Cl. D11/231

[58] Field of Search D11/200, 207, 220, 231; 24/303

[56] References Cited

U.S. PATENT DOCUMENTS

D. 273,840 5/1984 Morita D11/231 X
4,458,395 7/1984 Aoki 24/303.

FOREIGN PATENT DOCUMENTS

2419407 11/1975 Fed. Rep. of Germany 24/303

Primary Examiner—Louis S. Zarfes
Attorney, Agent, or Firm—Holman & Stern

[57] CLAIM

The ornamental design for magnetic fastener, as shown and described.

DESCRIPTION

FIG. 1 is a top perspective view of a magnetic fastener showing my new design;
FIG. 2 is a bottom perspective view thereof;
FIG. 3 is an exploded perspective view thereof showing the interior magnet;

FIG. 4 is a cross-sectional view thereof;
FIG. 5 is a side elevational view thereof; and
FIG. 6 is a top plan view thereof;
FIG. 7 is a top perspective view of a second embodiment of my new design;
FIG. 8 is a bottom perspective view thereof;
FIG. 9 is an exploded perspective view thereof showing the interior magnet;
FIG. 10 is a cross-sectional view thereof;
FIG. 11 is a side elevational view thereof; and
FIG. 12 is a top plan view thereof;
FIG. 13 is a top perspective view of a third embodiment of my new design;
FIG. 14 is a bottom perspective view thereof;
FIG. 15 is an exploded perspective view thereof showing the interior magnets; and
FIG. 16 is a cross-sectional view thereof;
FIG. 17 is a top perspective view of a fourth embodiment of my new design;
FIG. 18 is a bottom perspective view thereof;
FIG. 19 is an exploded perspective view thereof showing the interior magnets;
FIG. 20 is a cross-sectional view thereof;
FIG. 21 is a top plan view thereof; and
FIG. 22 is a bottom plan view thereof;
FIG. 23 is a top perspective view of a fifth embodiment of my new design;
FIG. 24 is a bottom perspective view thereof;
FIG. 25 is an exploded perspective view thereof; and
FIG. 26 is a cross-sectional view thereof;
FIG. 27 is a top perspective view of a sixth embodiment of my new design;
FIG. 28 is a bottom perspective view thereof;
FIG. 29 is an exploded perspective view thereof;
FIG. 30 is a cross-sectional view thereof; and
FIG. 31 is a bottom plan view thereof;
FIG. 32 is a top perspective view of a seventh embodiment of my new design;

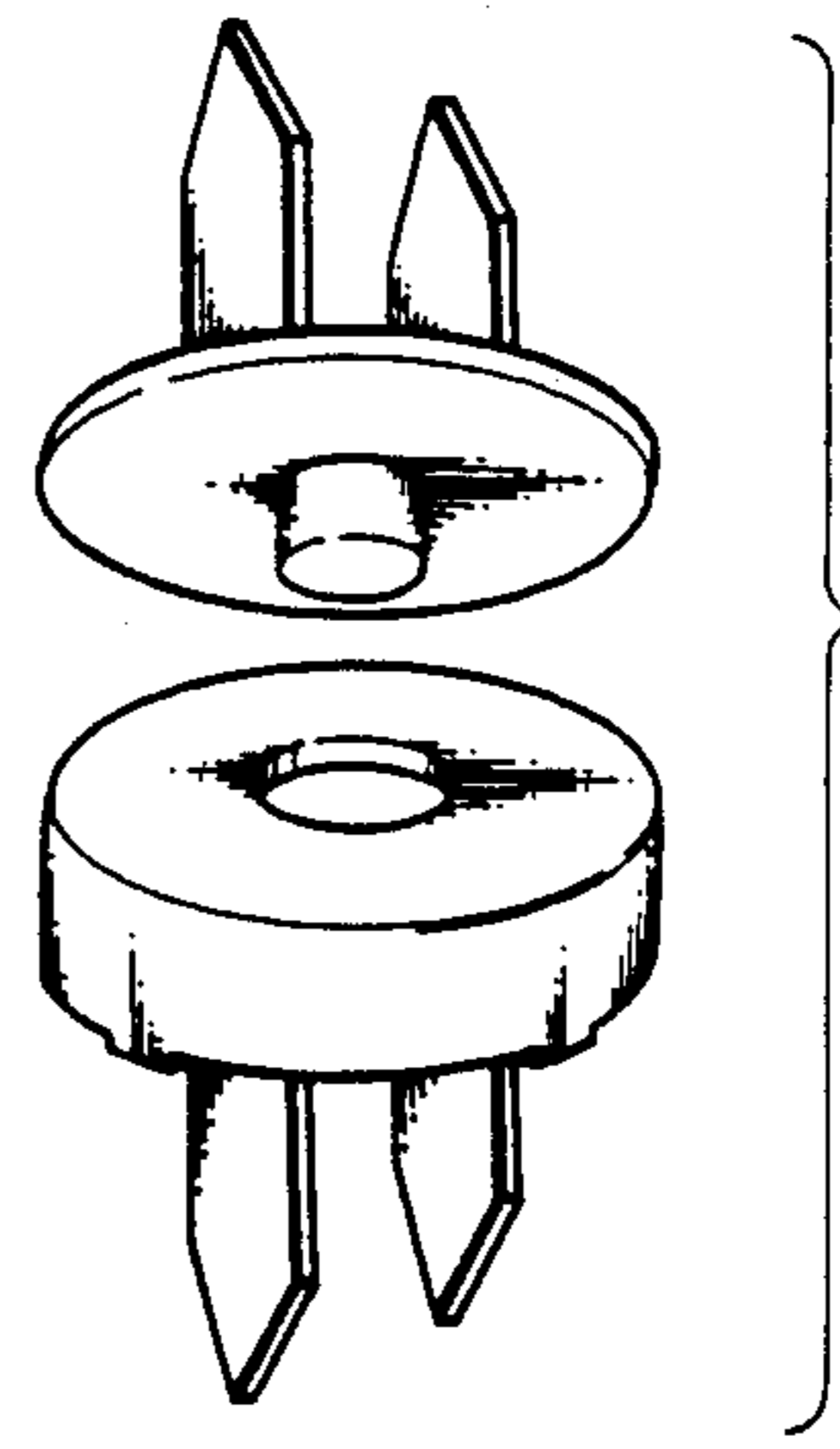
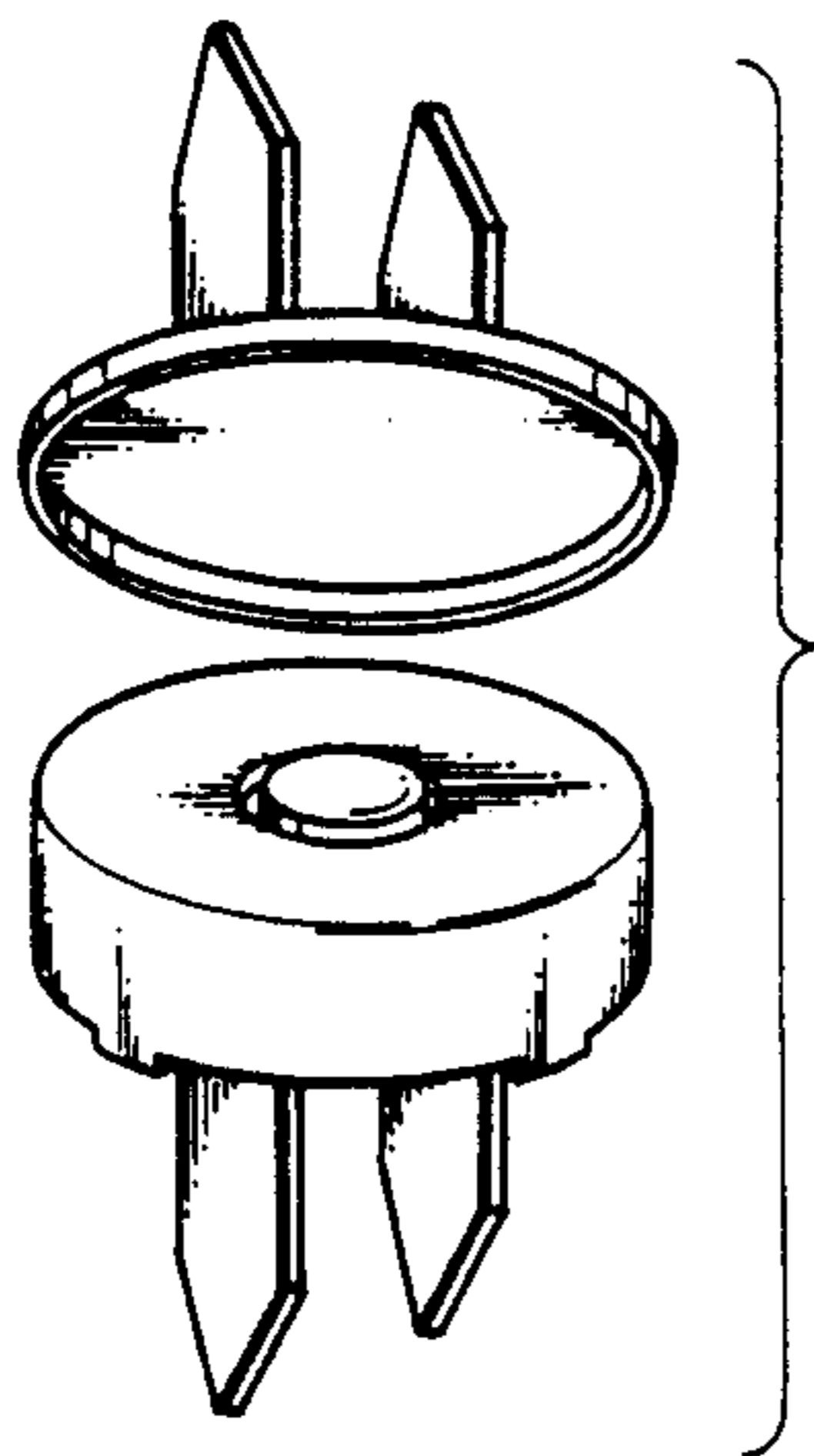


FIG. 1

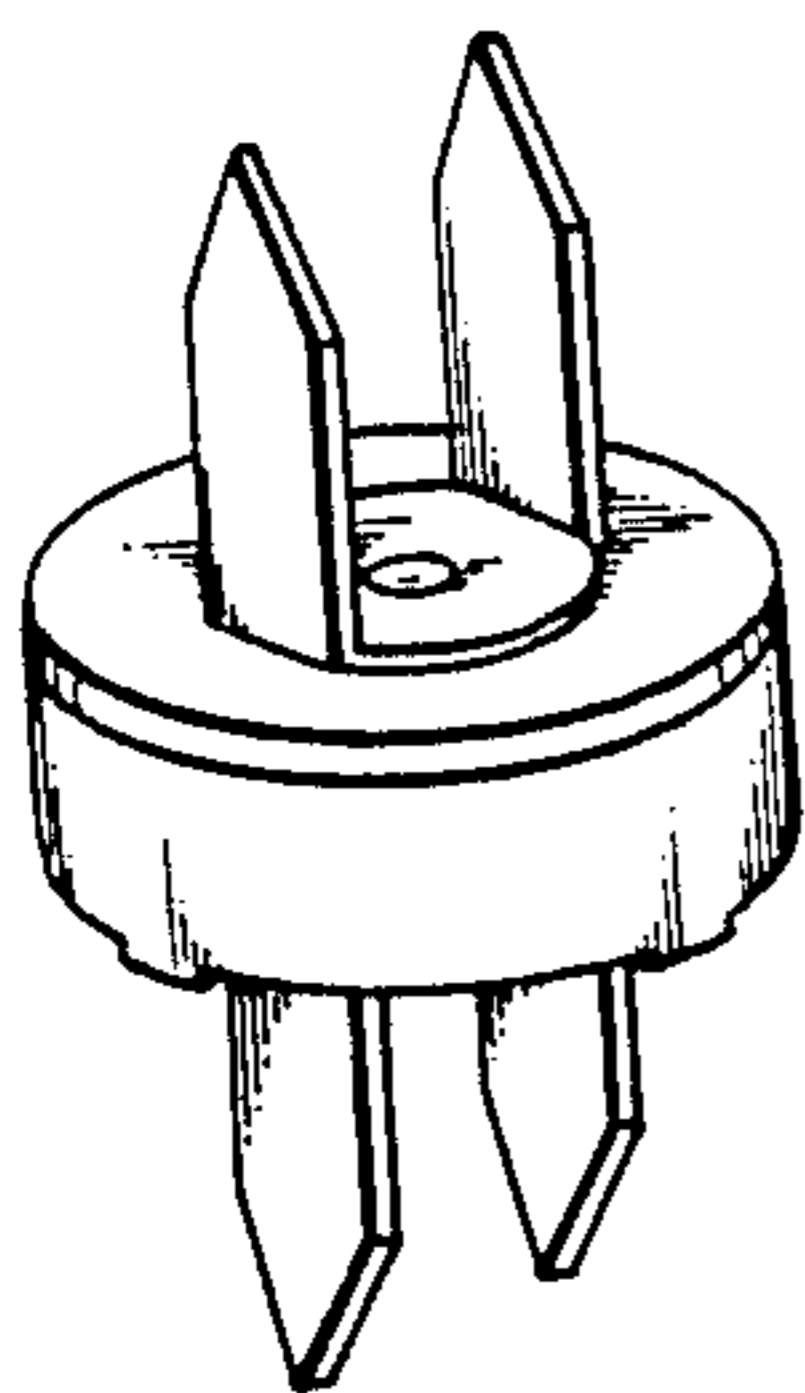


FIG. 2

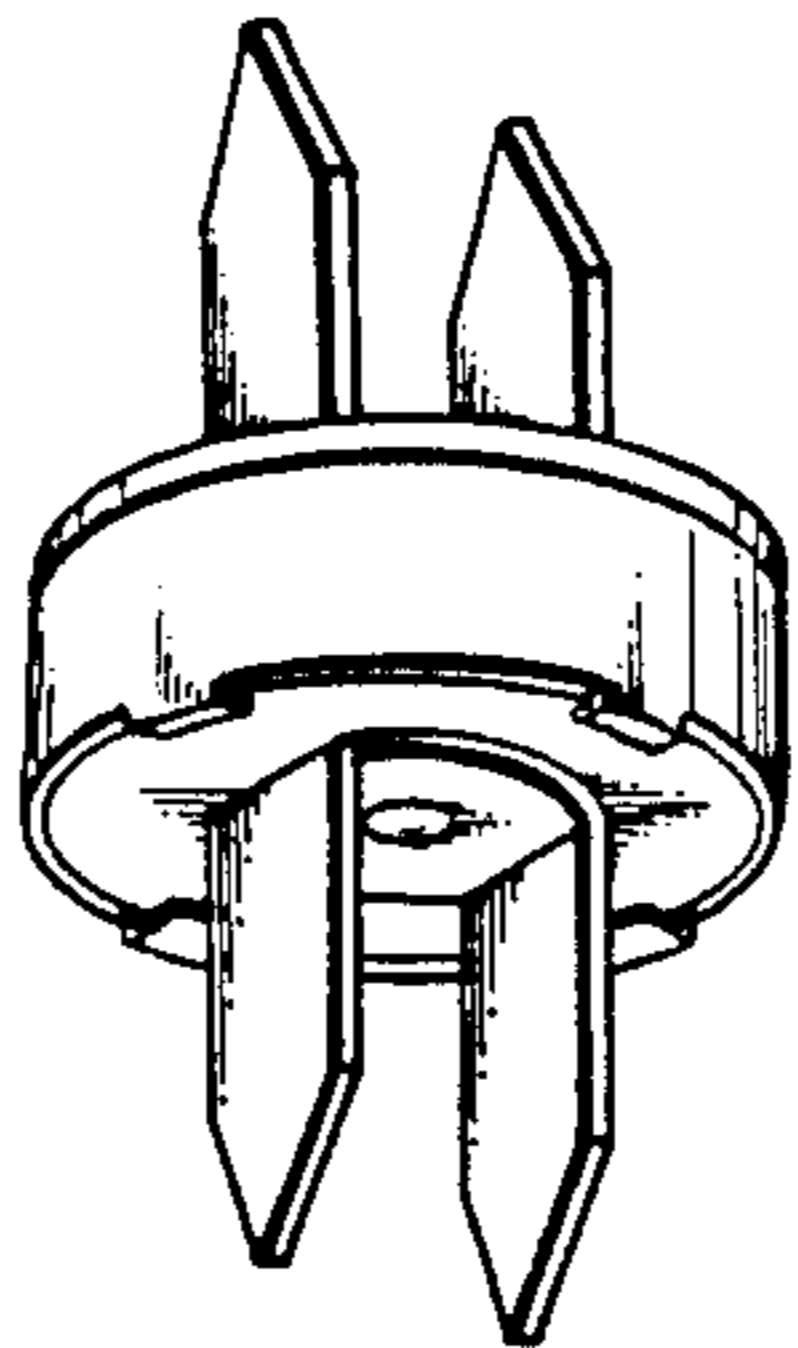


FIG. 4

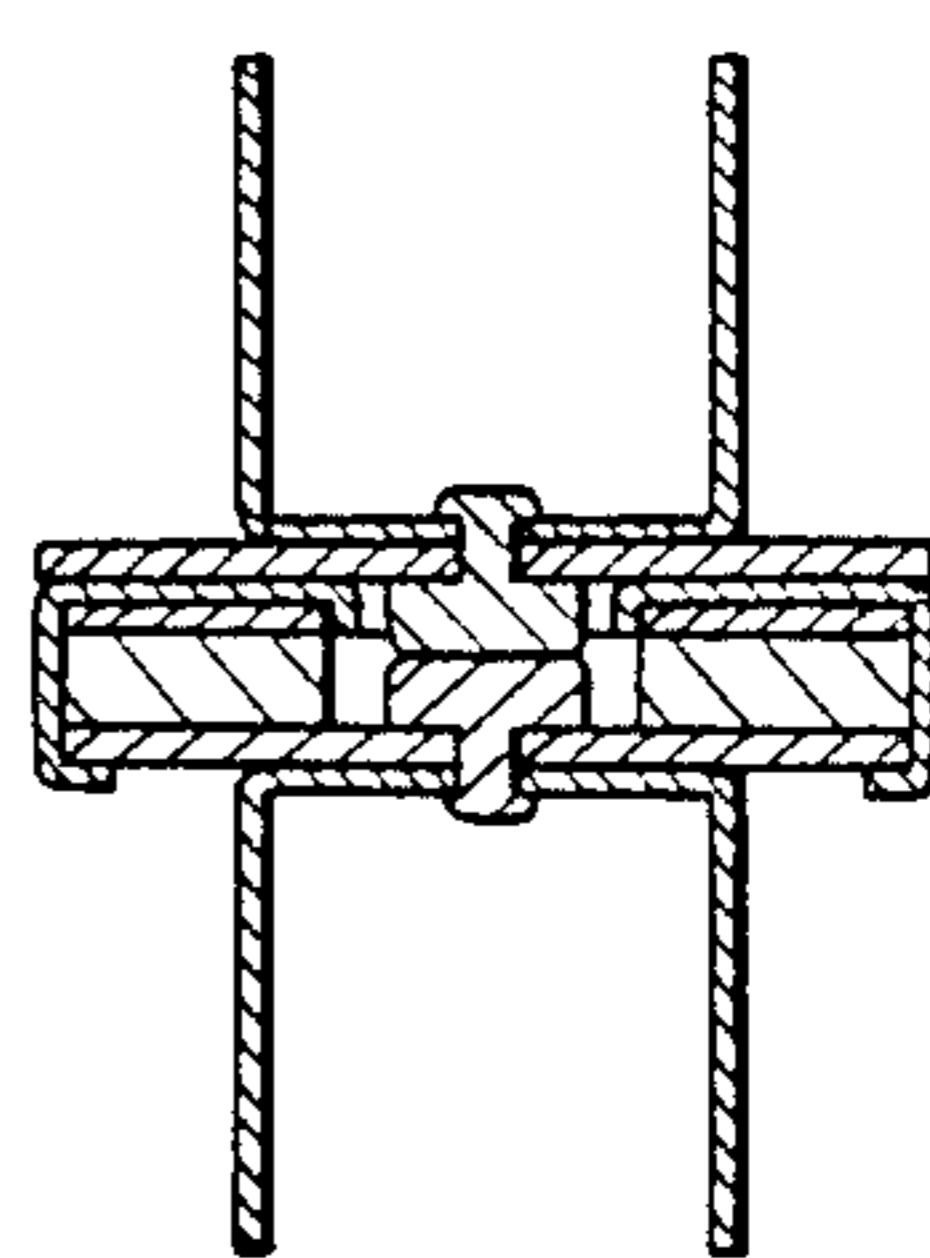


FIG. 3

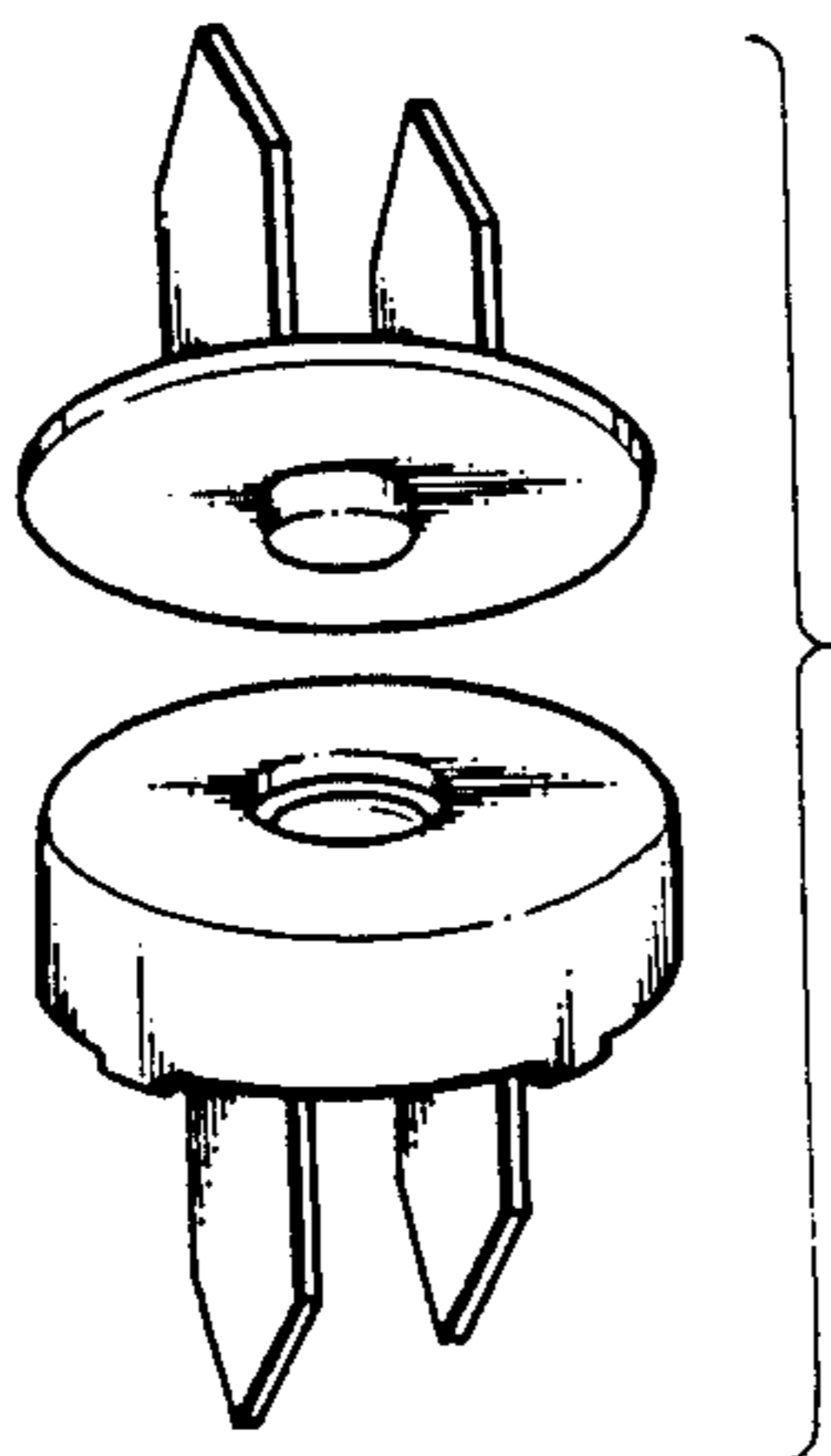


FIG. 5

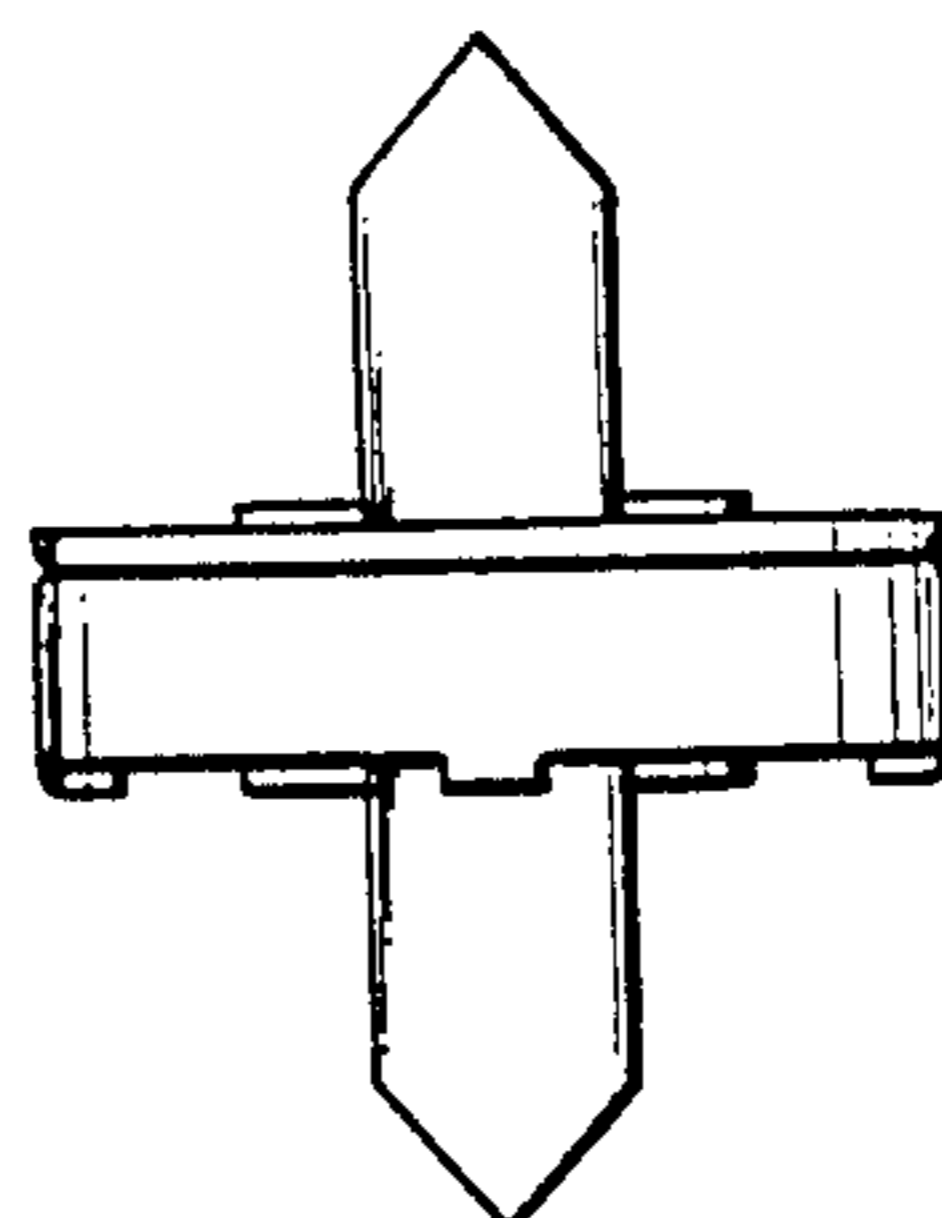


FIG. 6

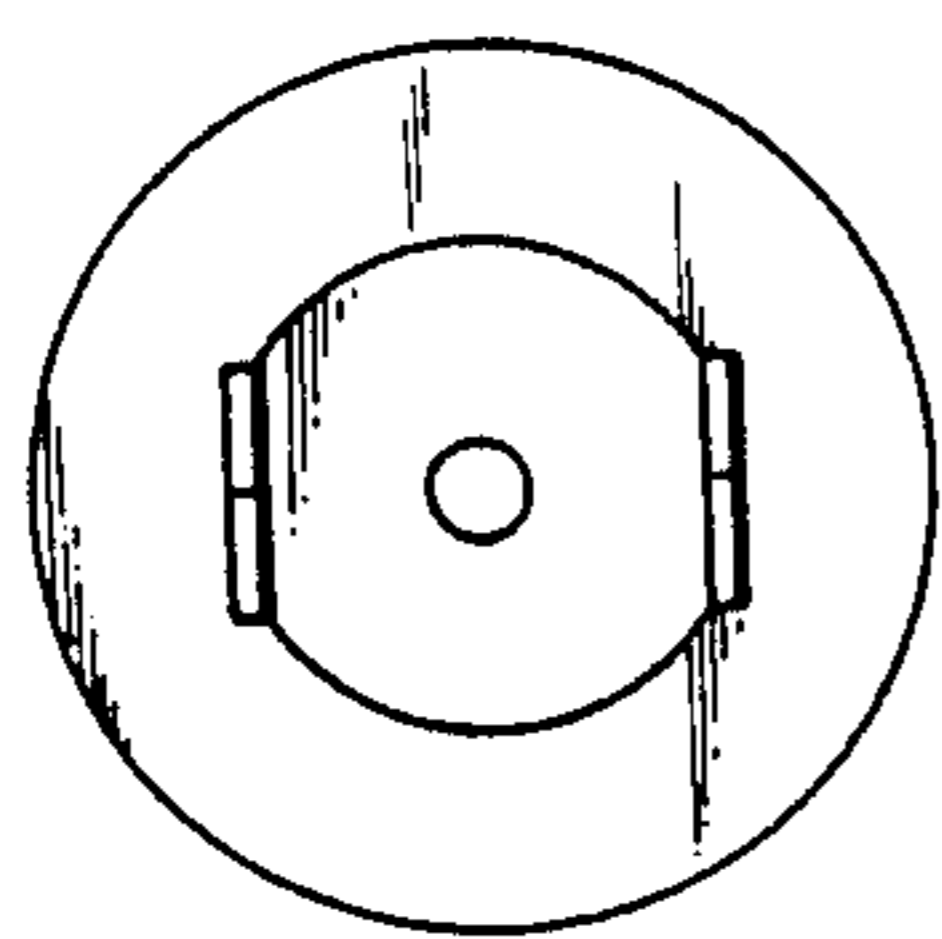


FIG. 7

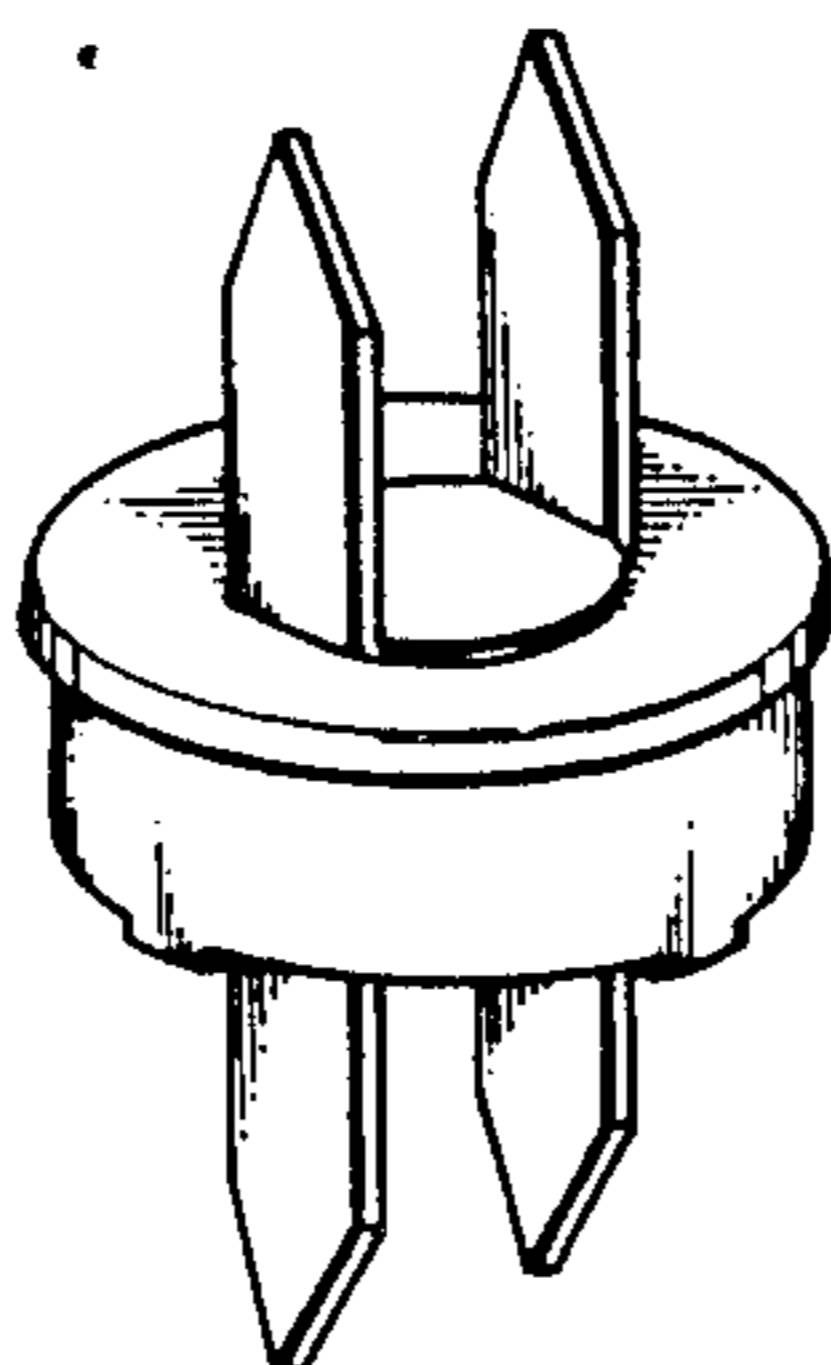


FIG. 8

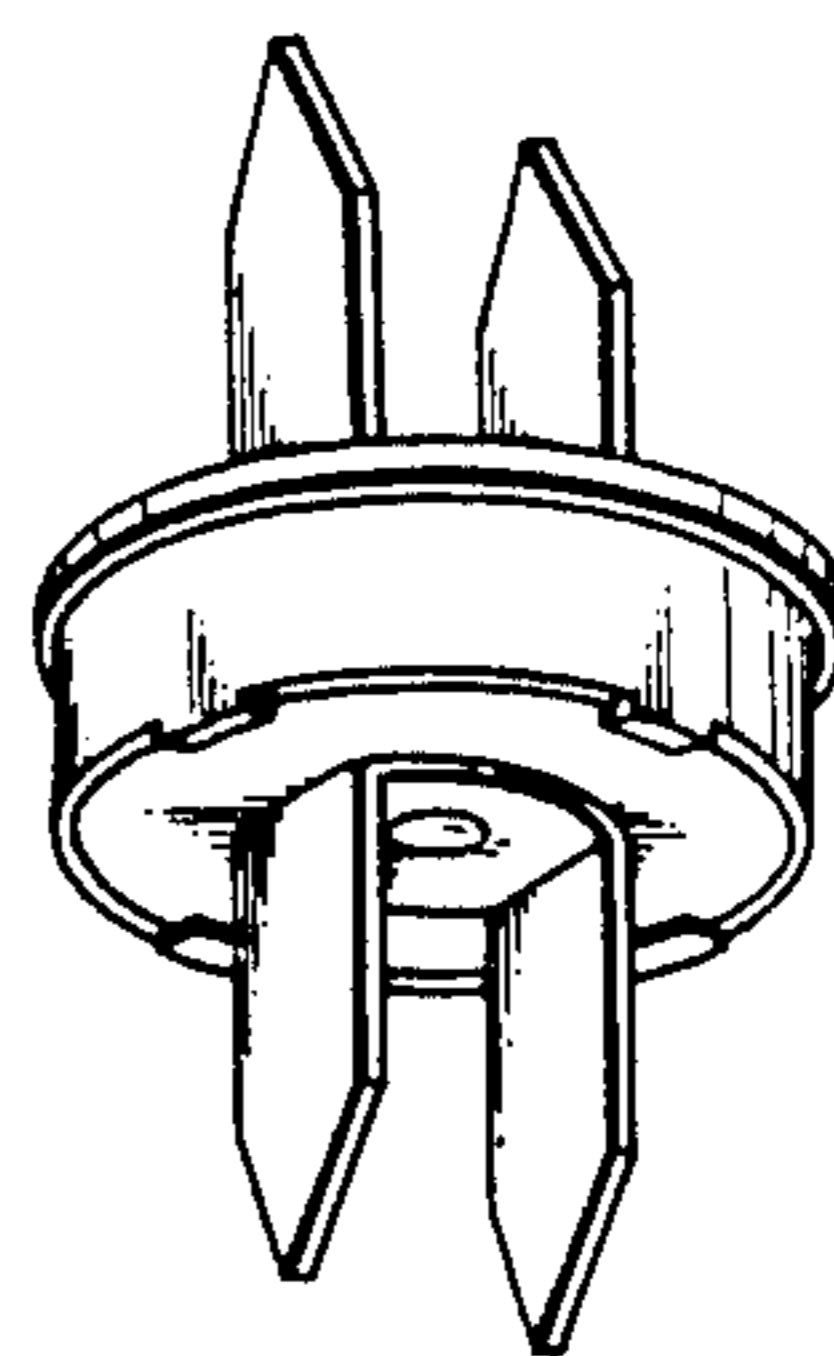


FIG. 9

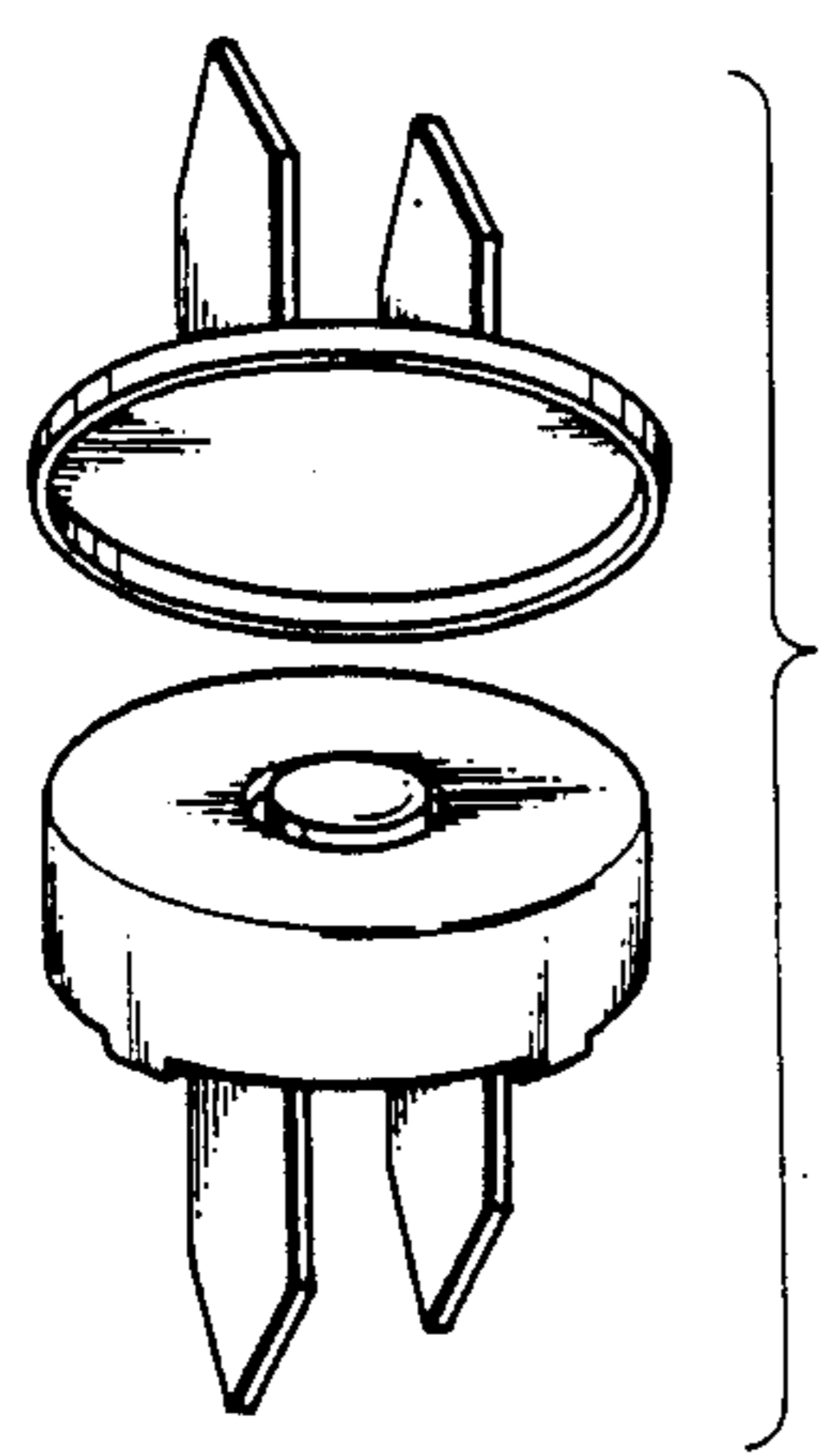


FIG. 10

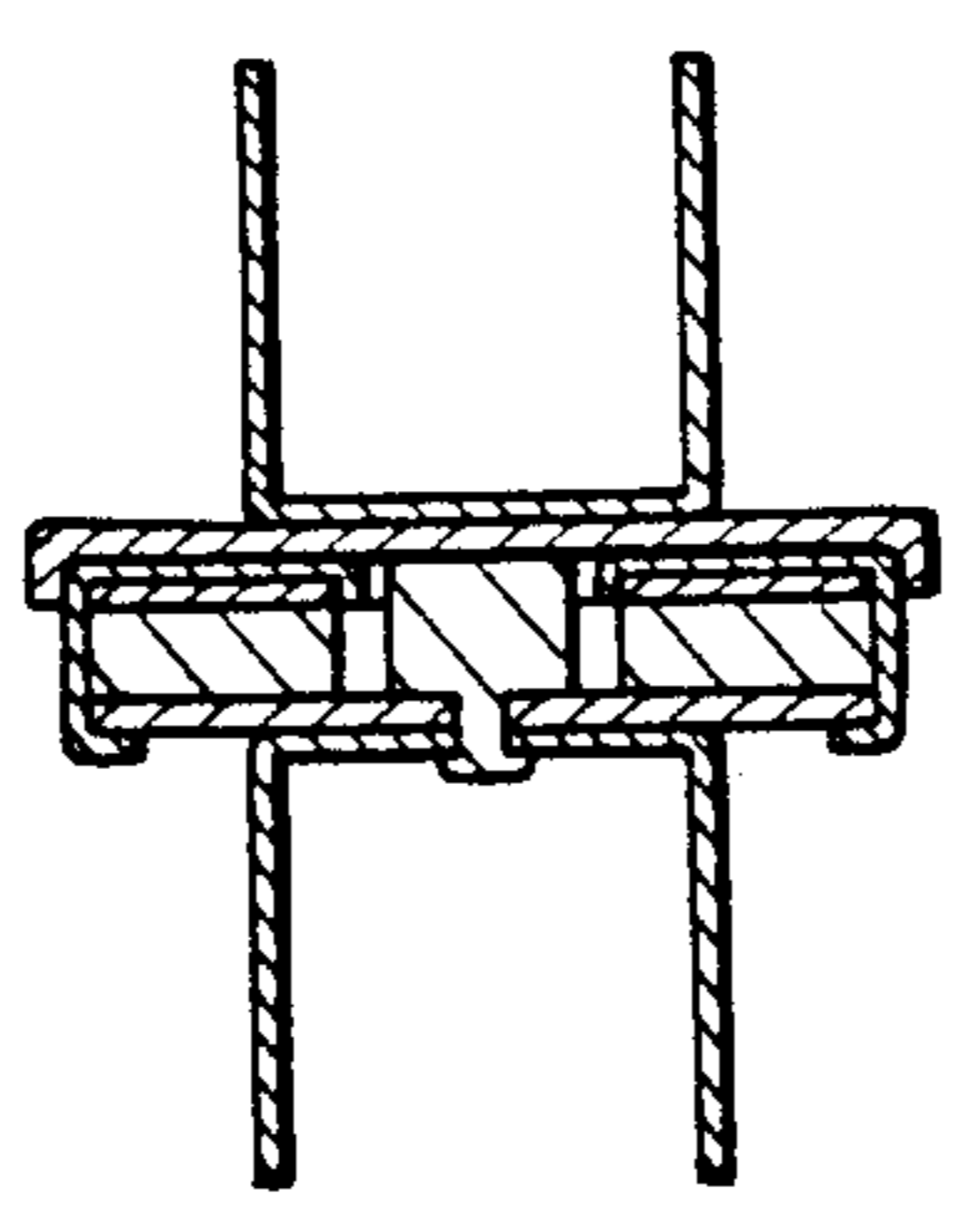


FIG. 11

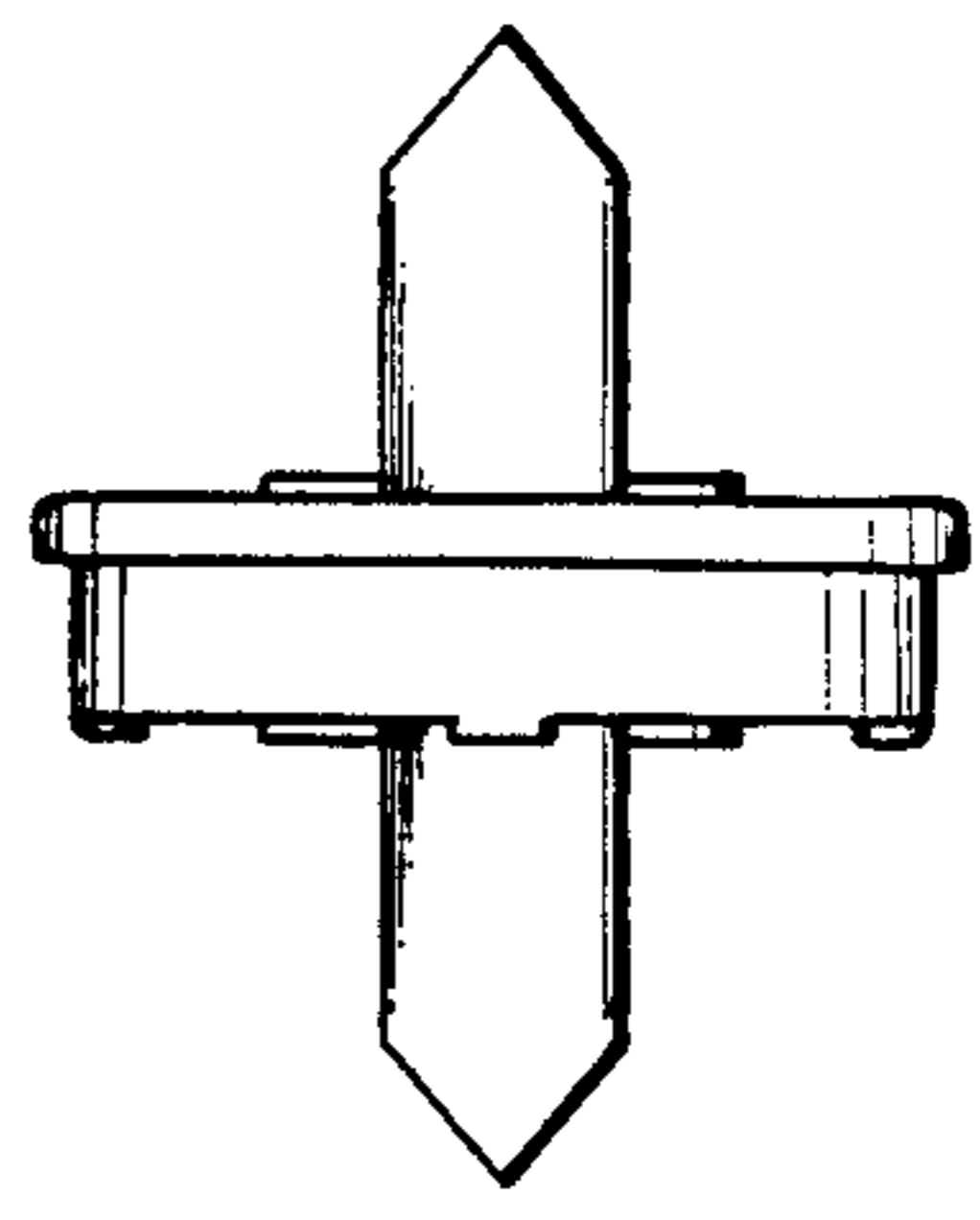


FIG. 12

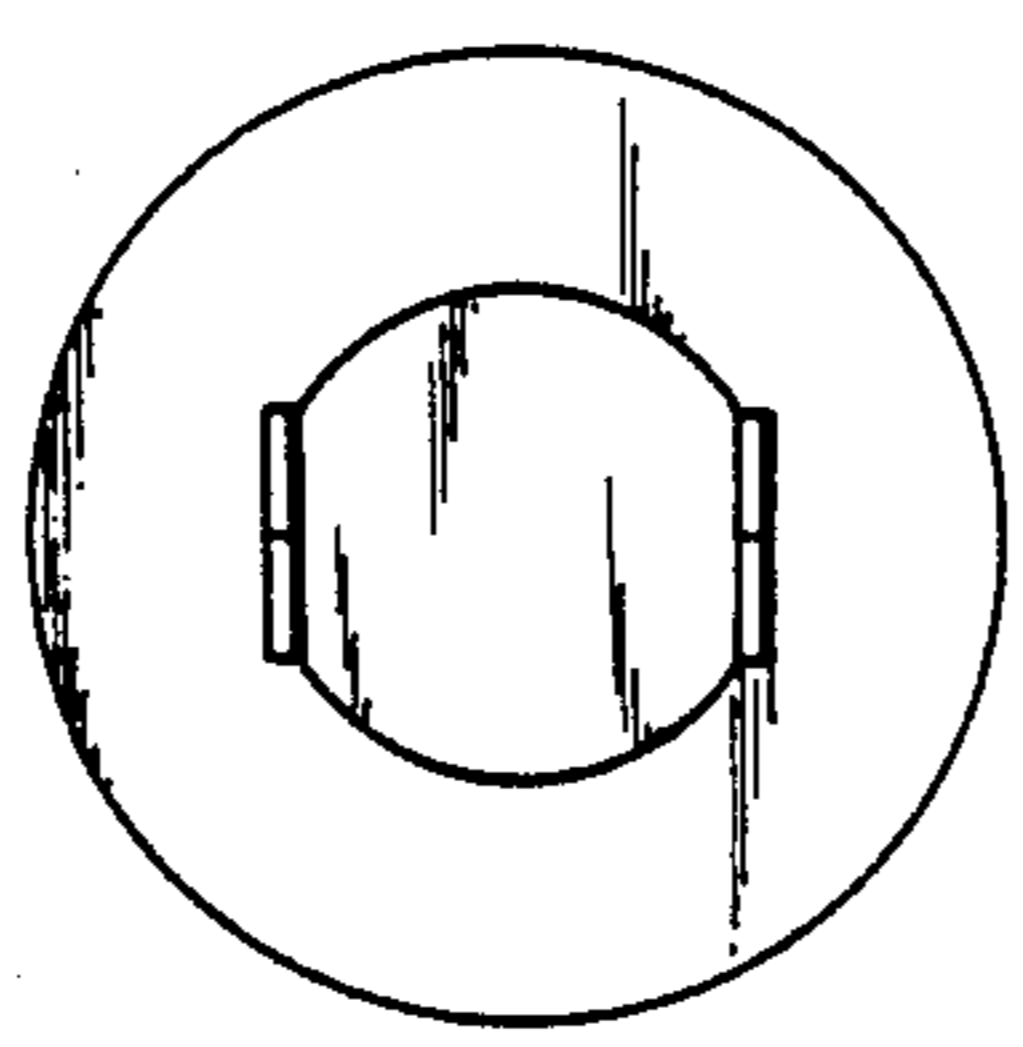


FIG. 13

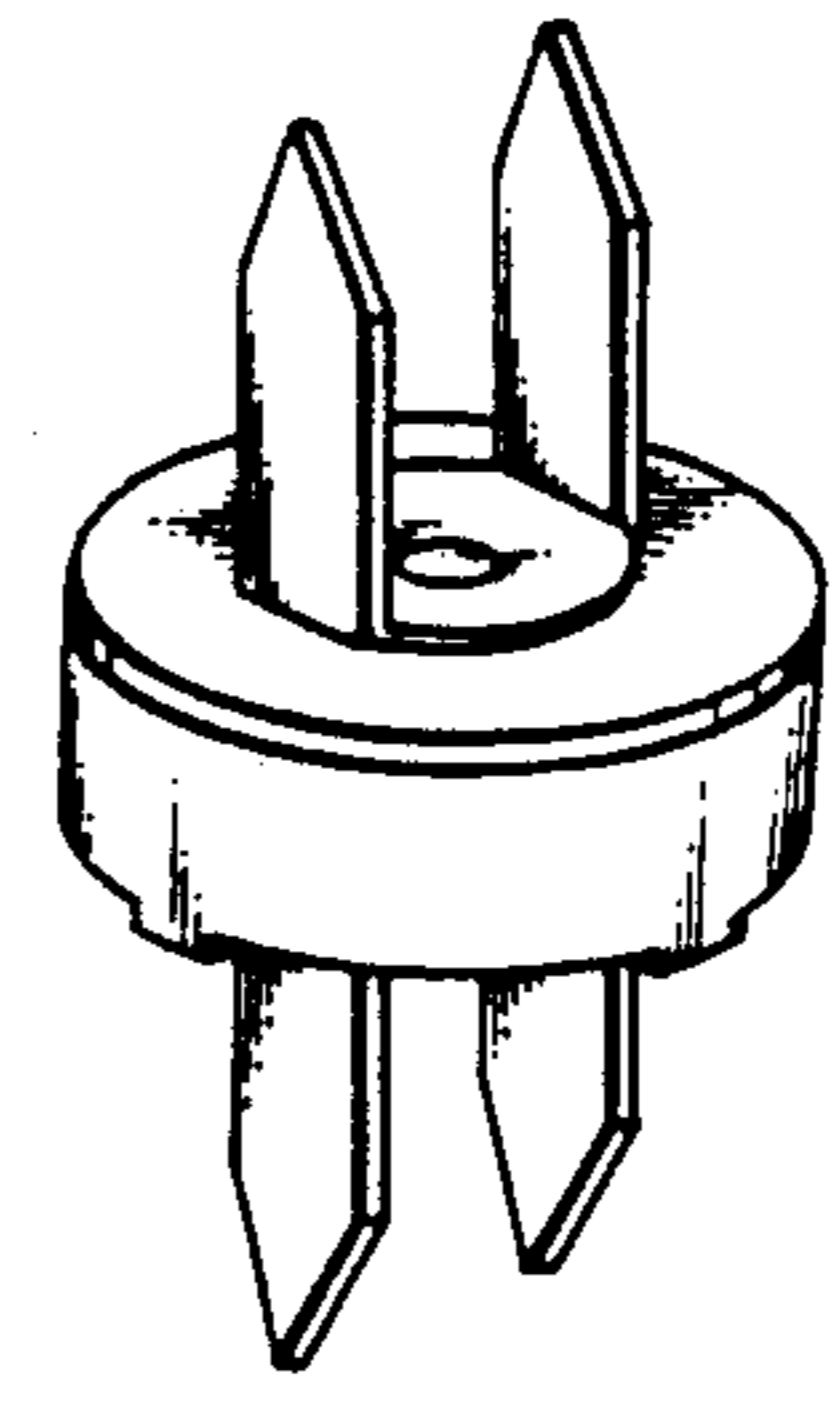


FIG. 14

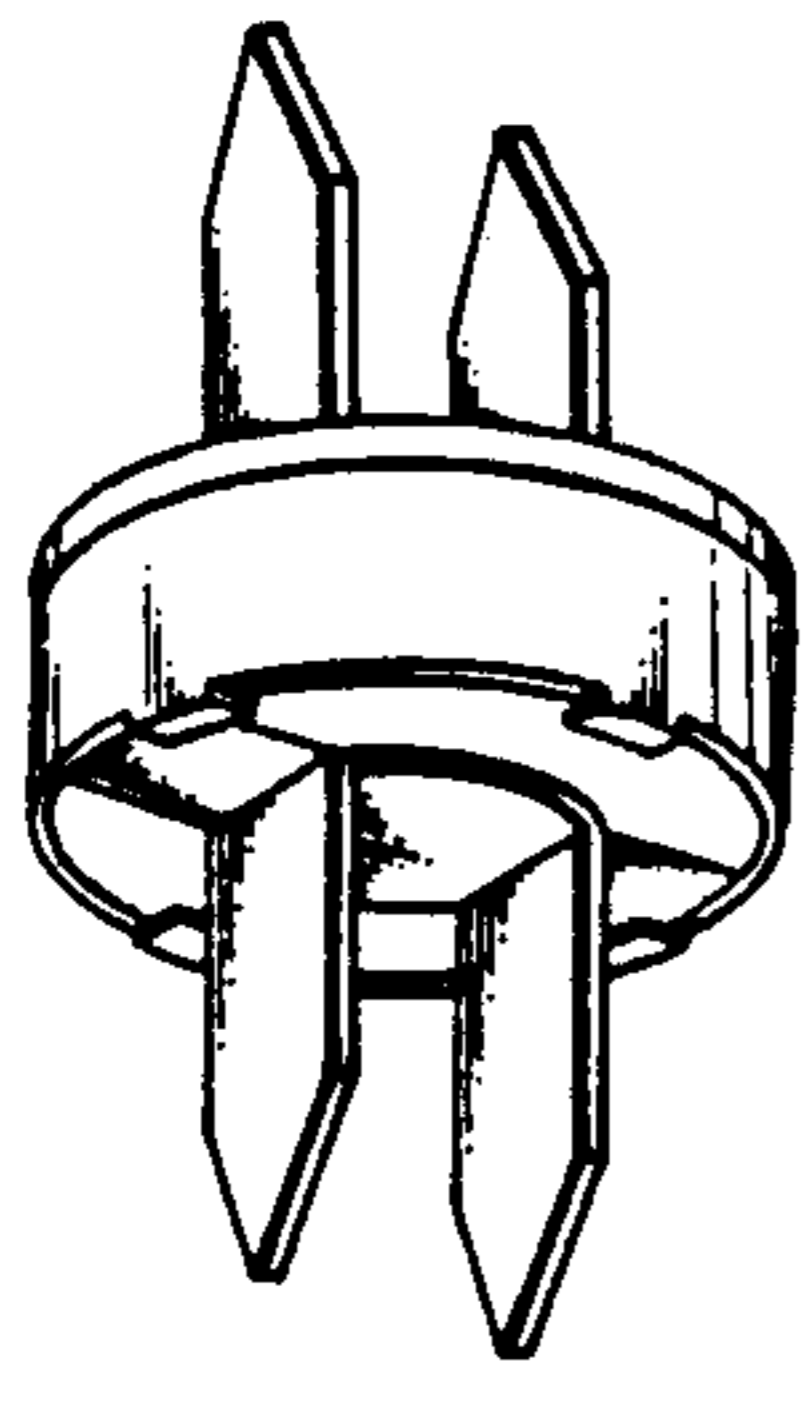


FIG. 16

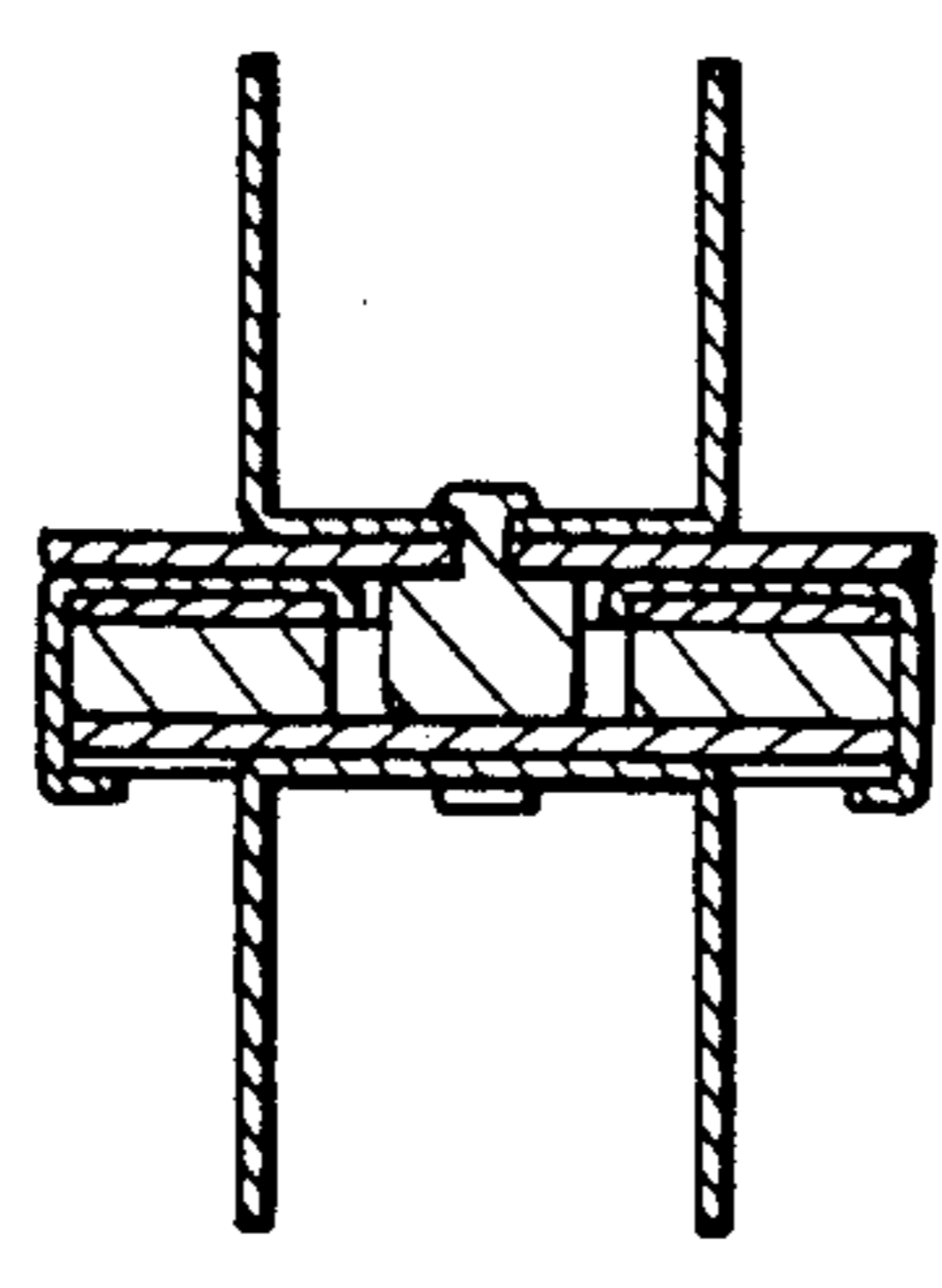


FIG. 15

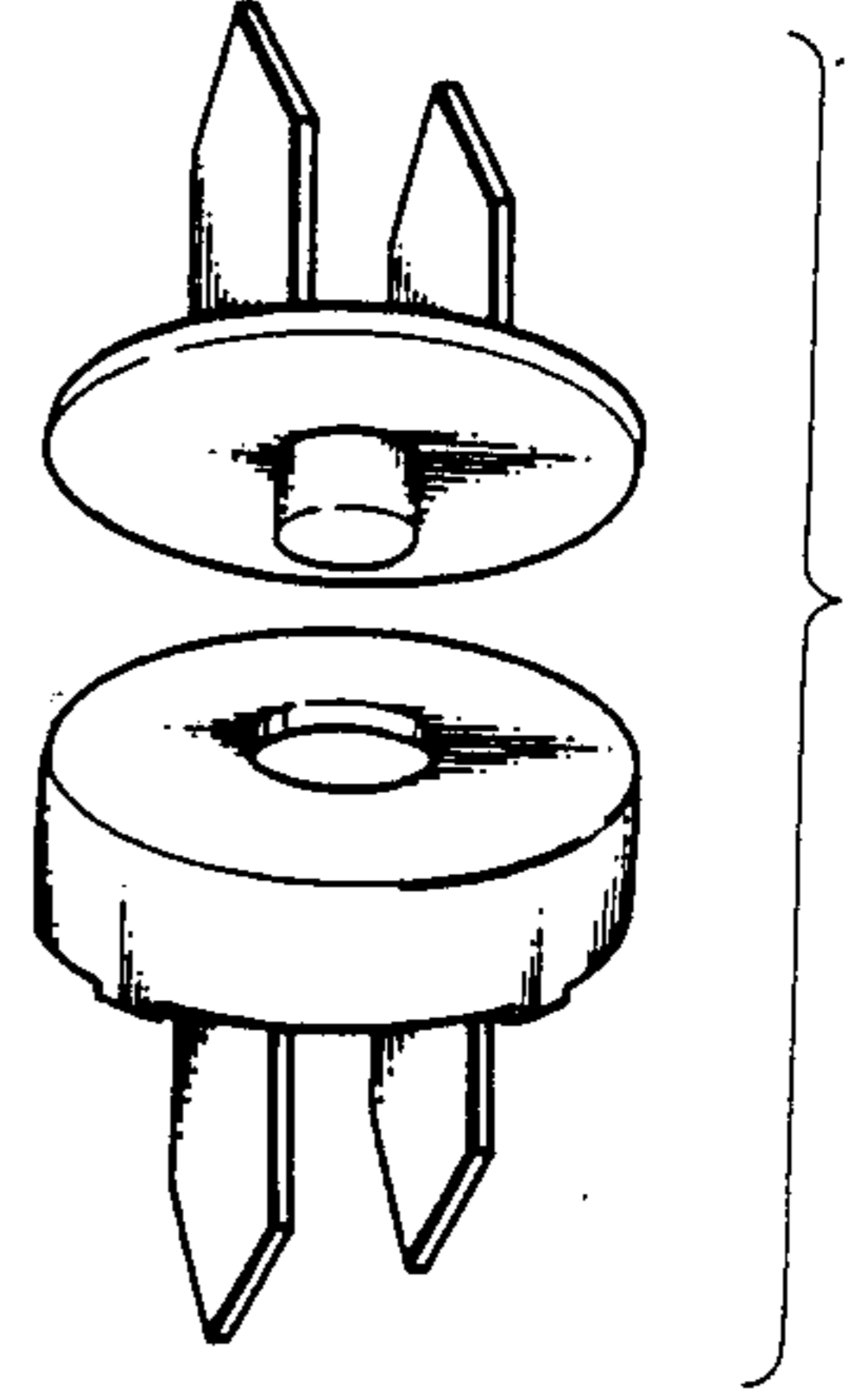


FIG. 17

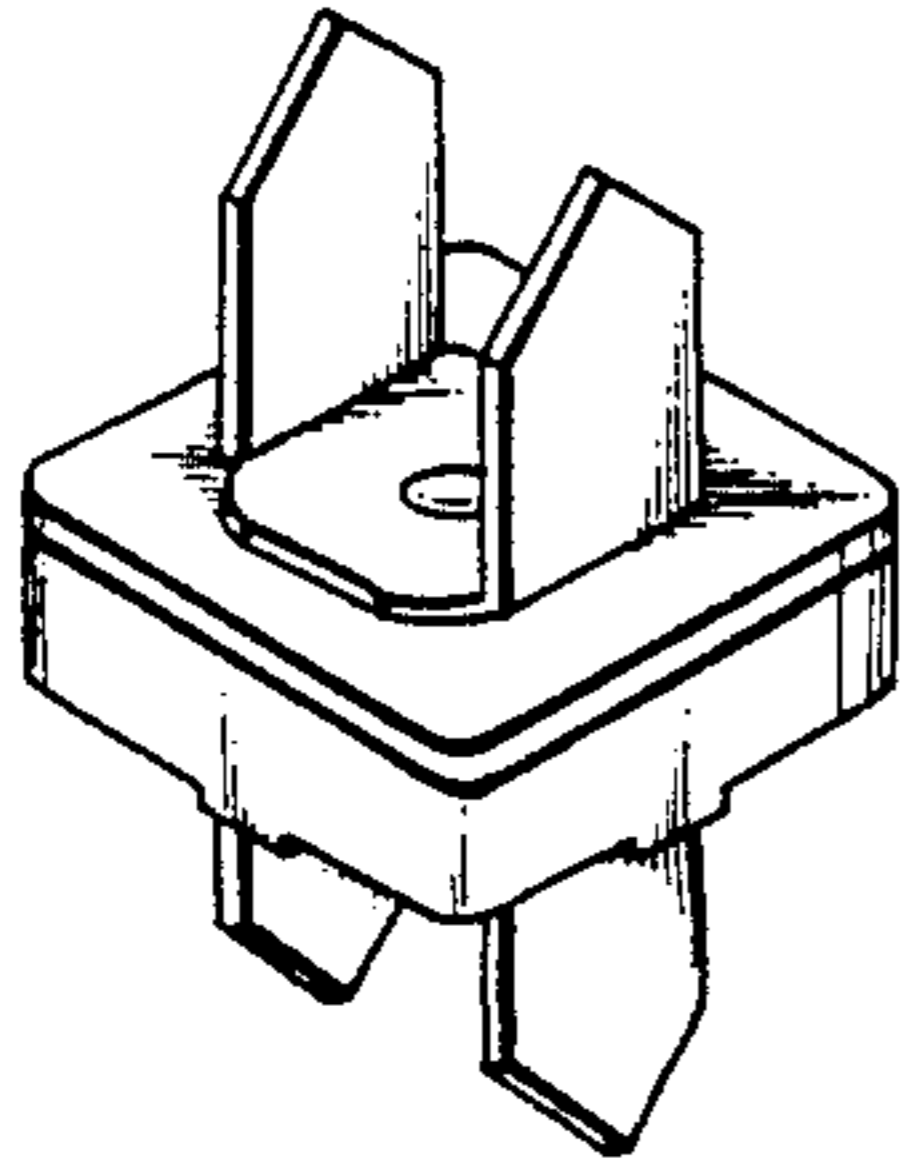


FIG. 18

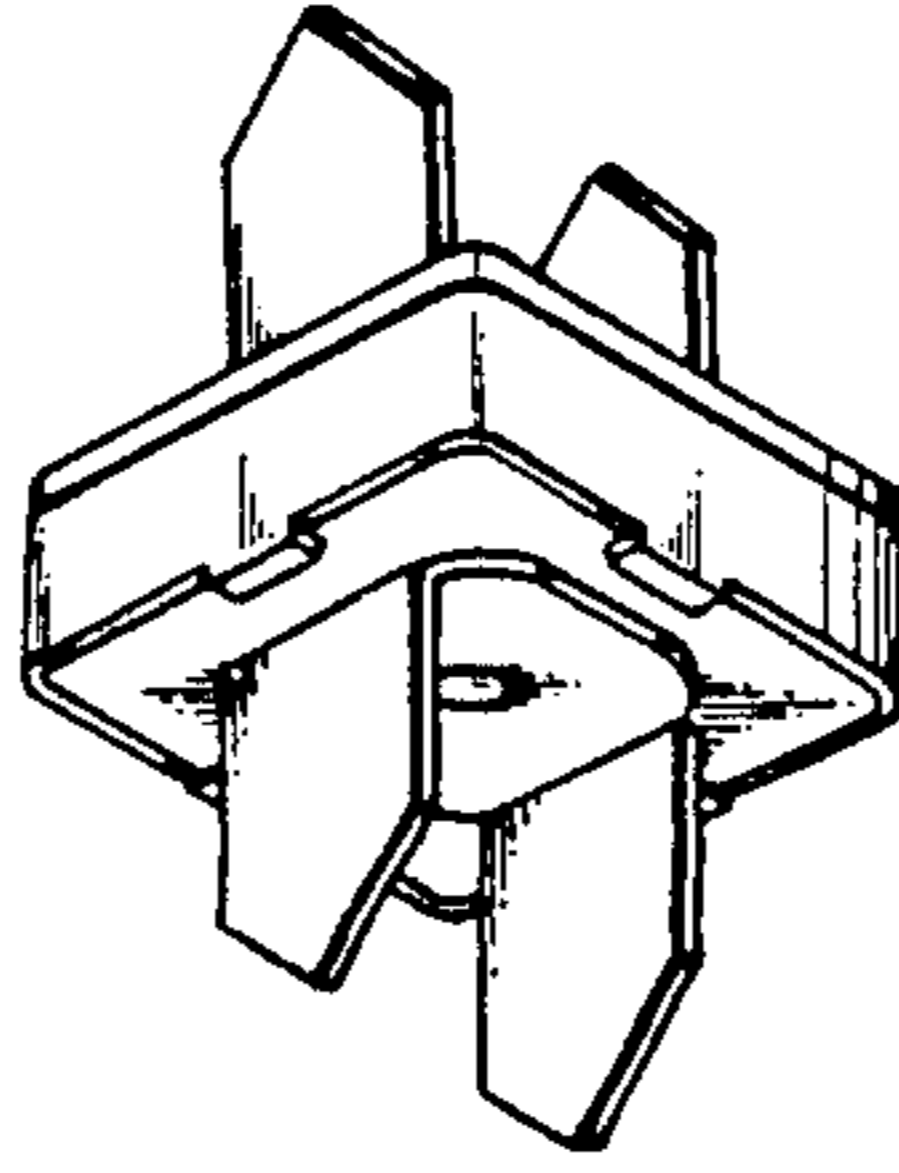


FIG. 20

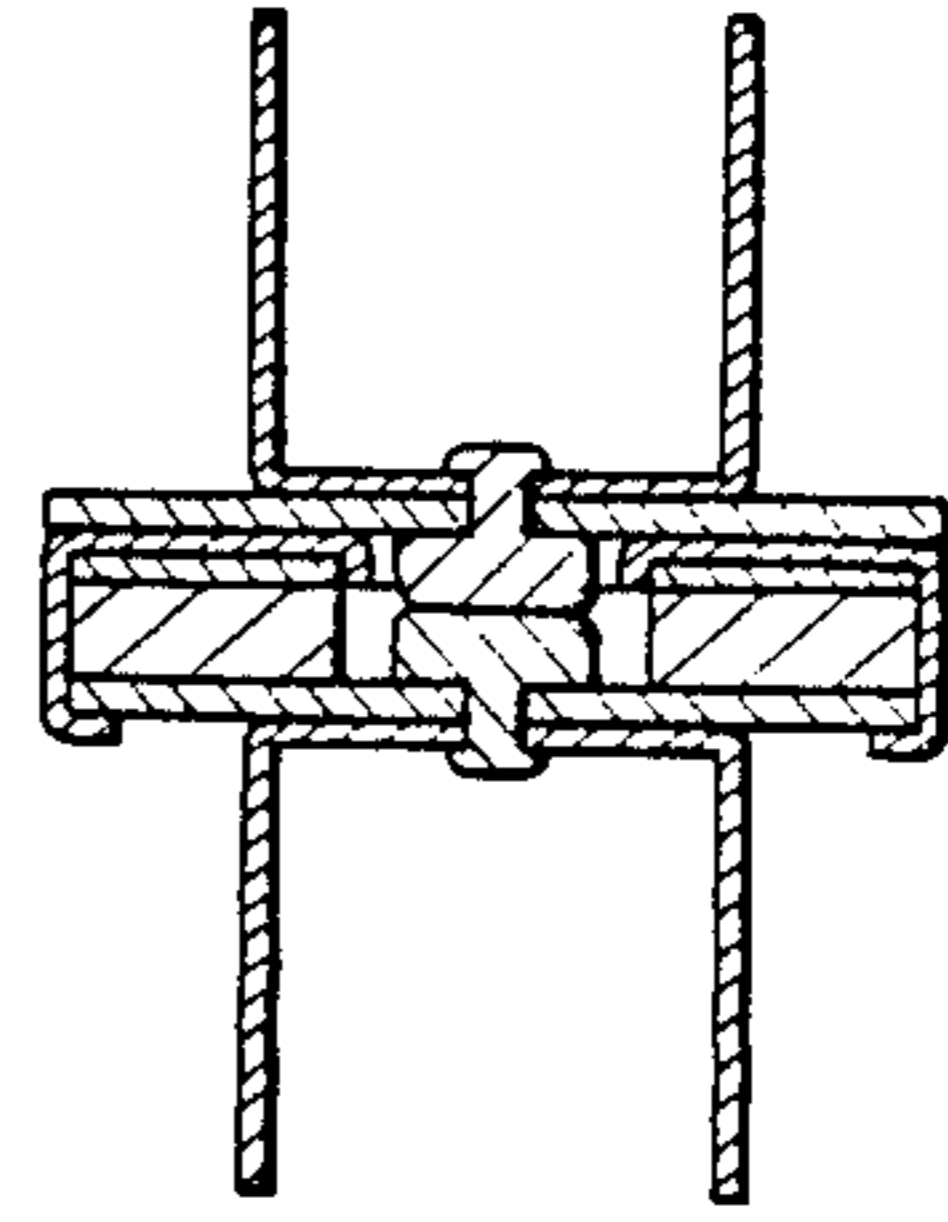


FIG. 19

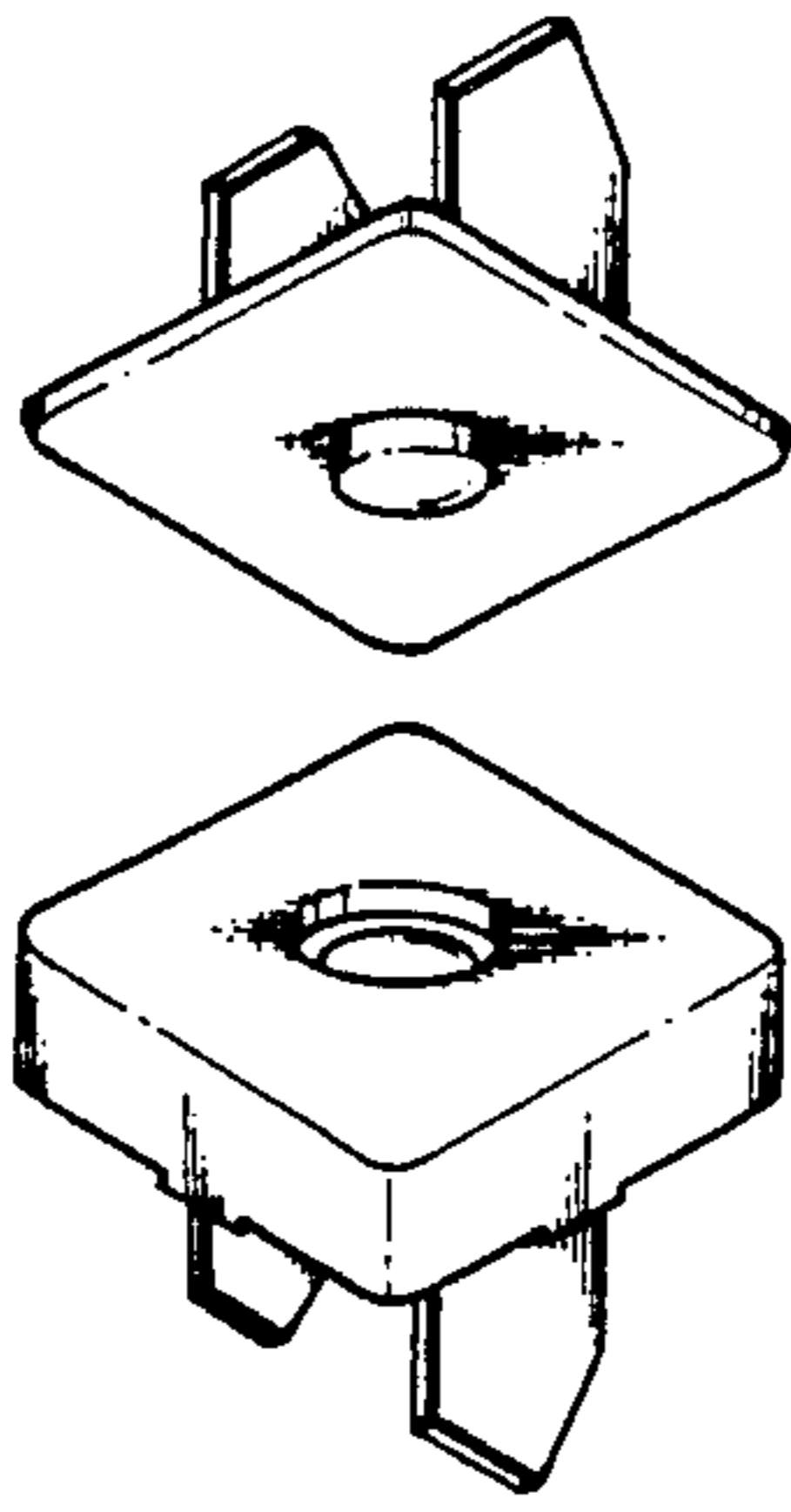


FIG. 21

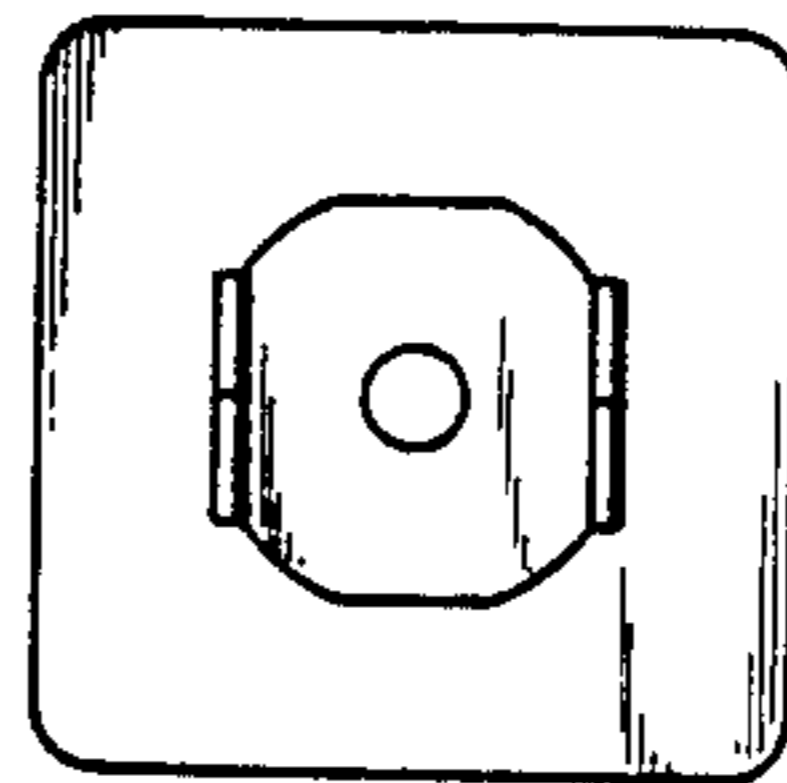


FIG. 22

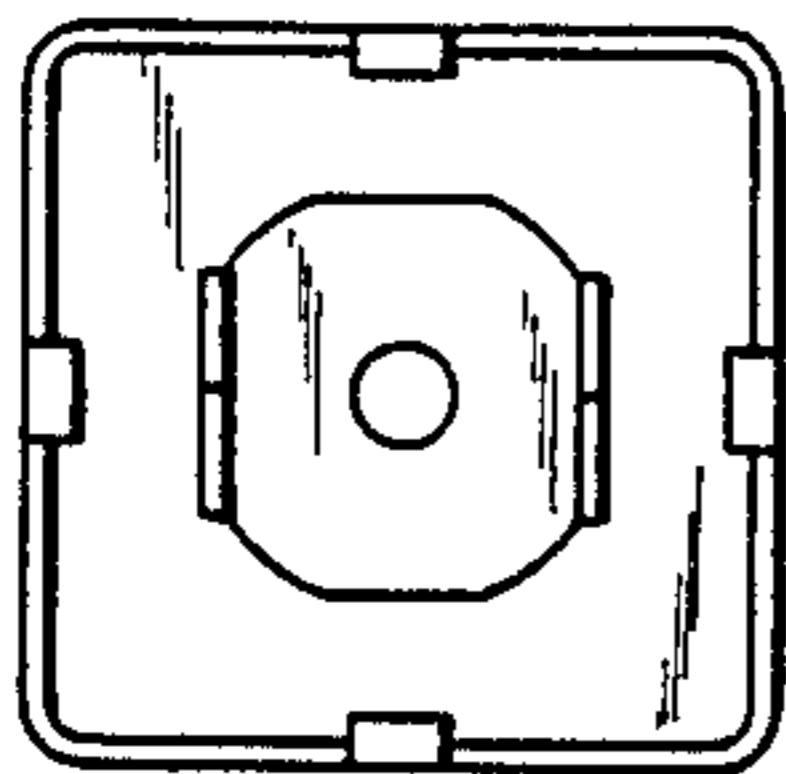


FIG. 23

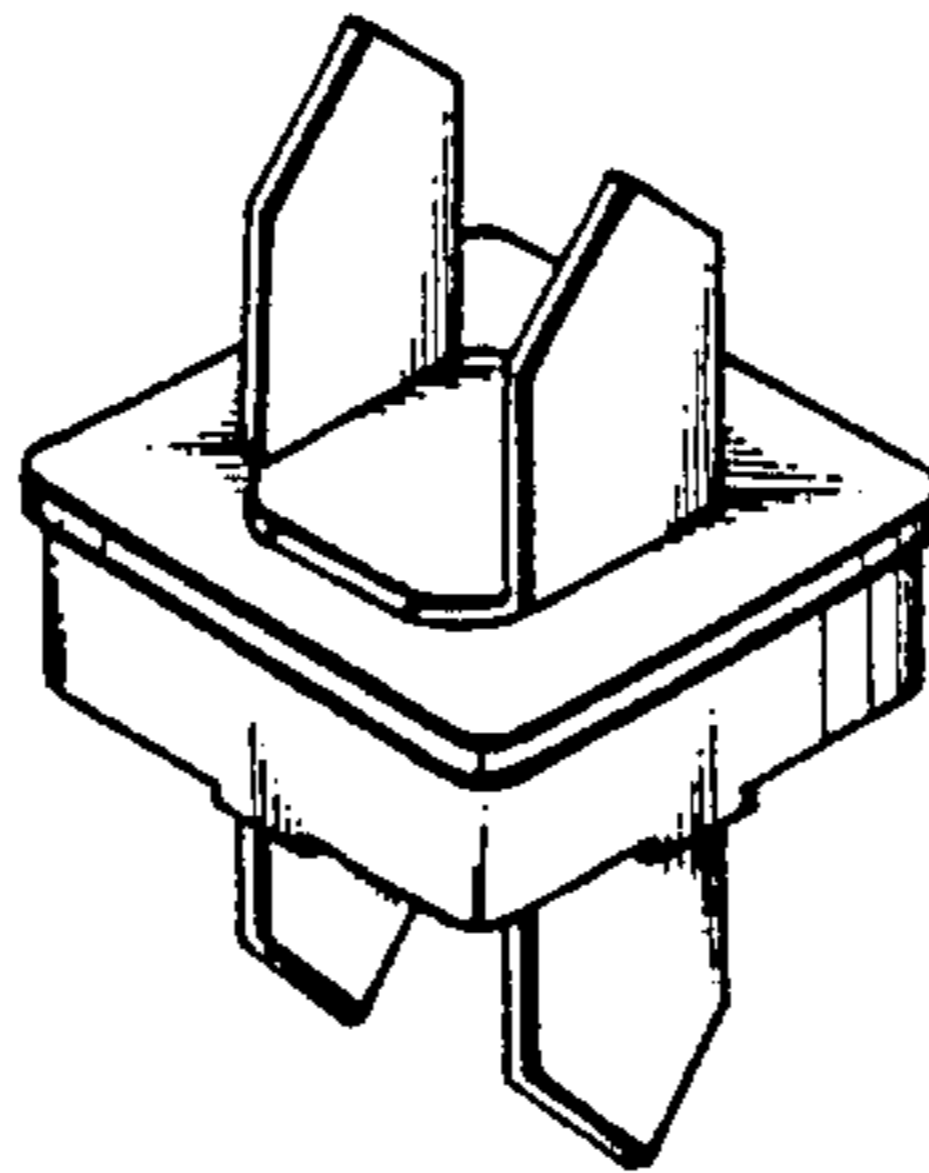


FIG. 24

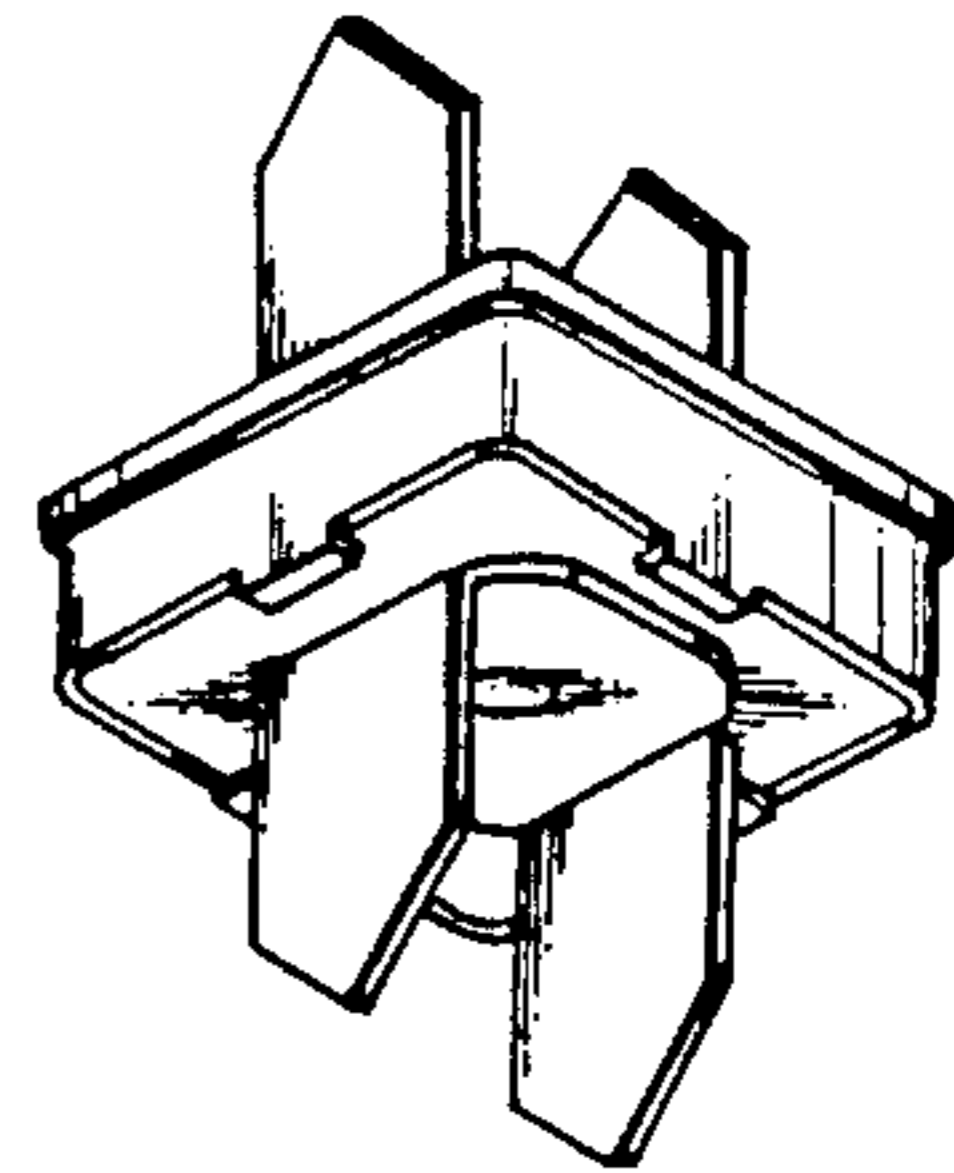


FIG. 25

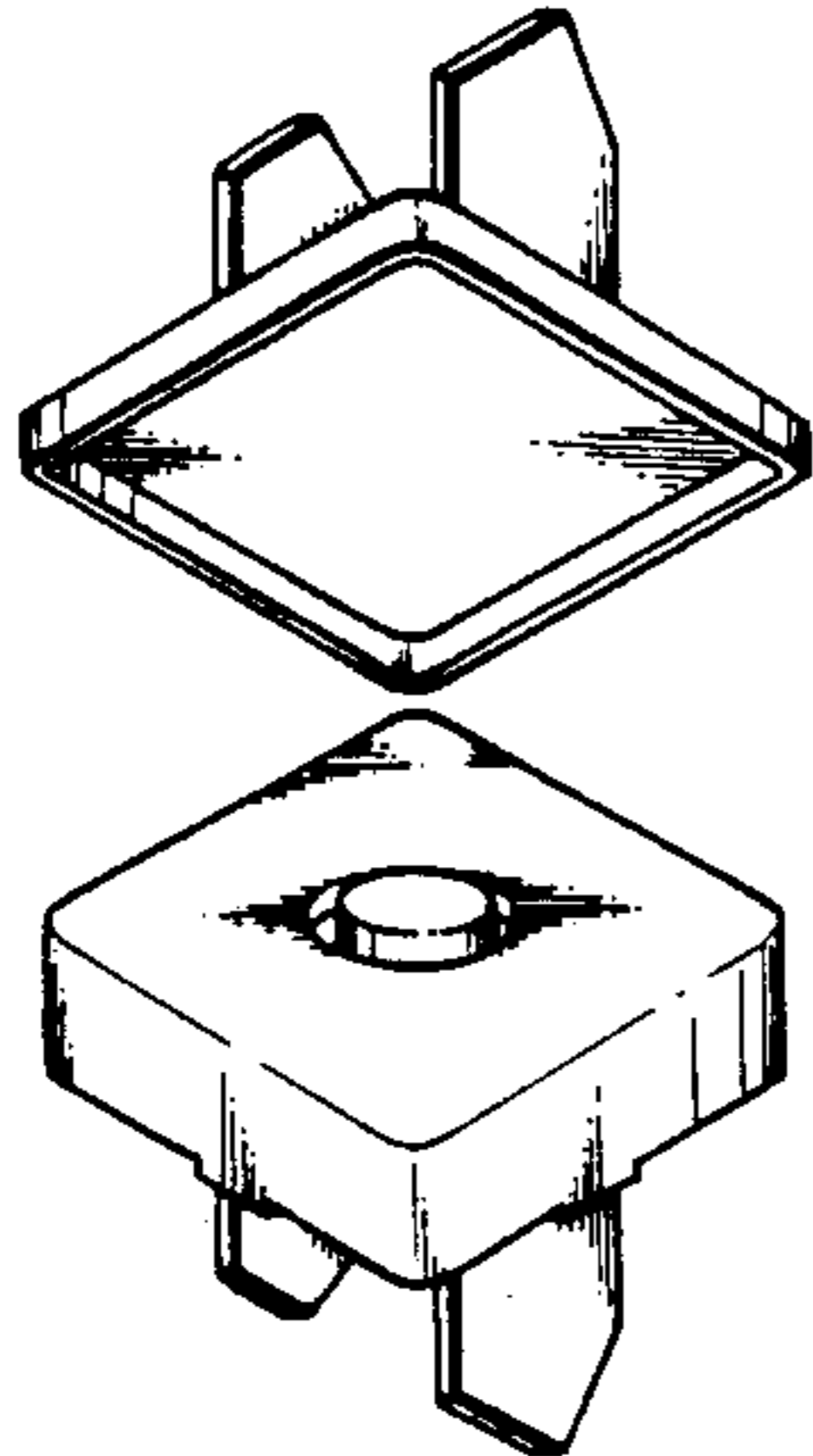


FIG. 26

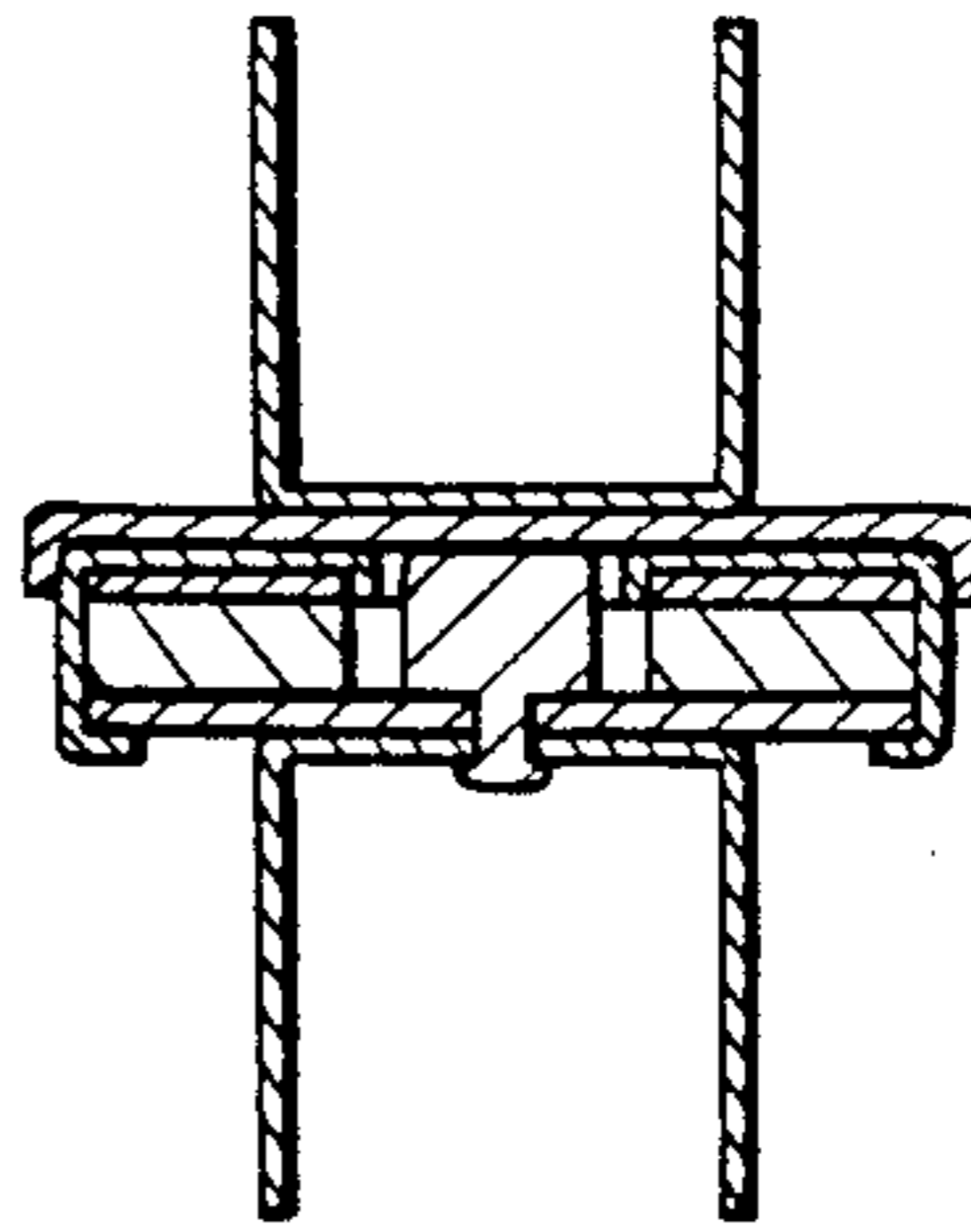


FIG. 27

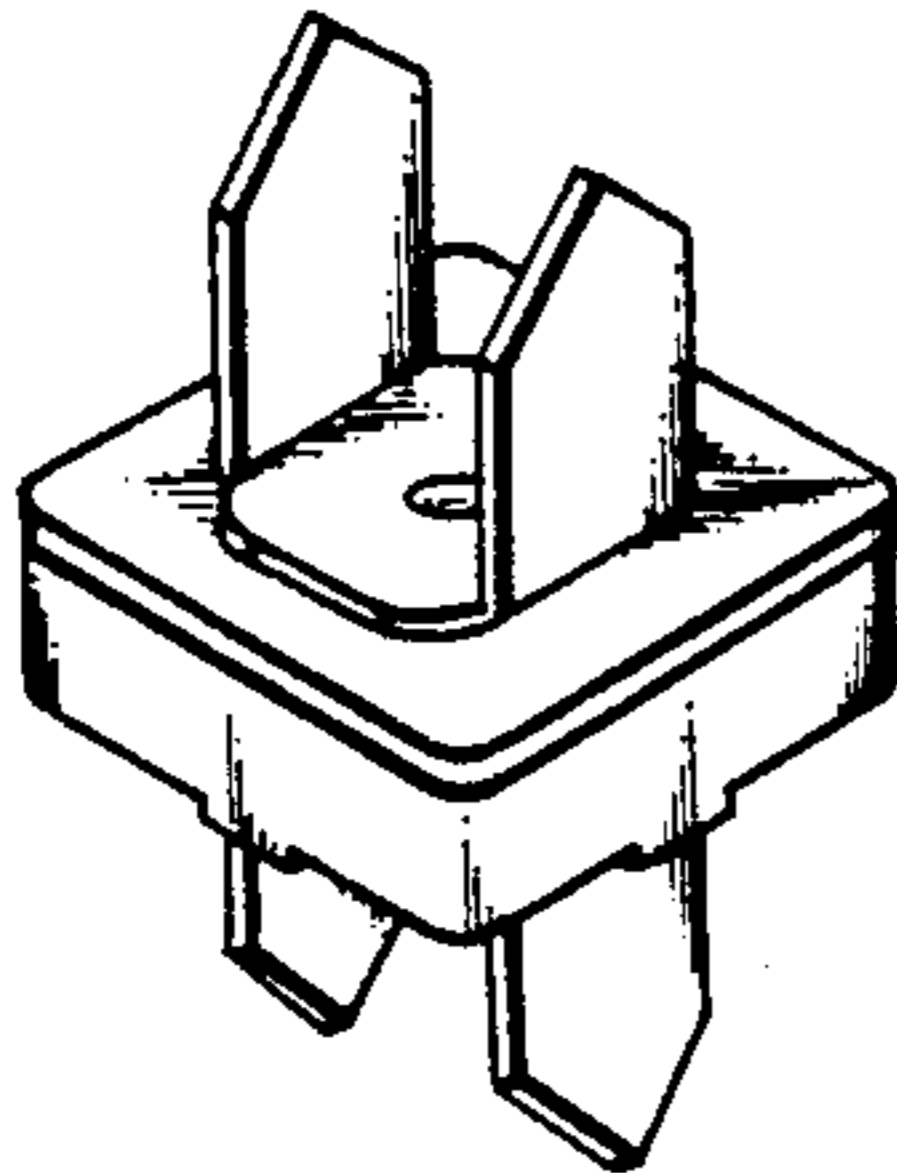


FIG. 28

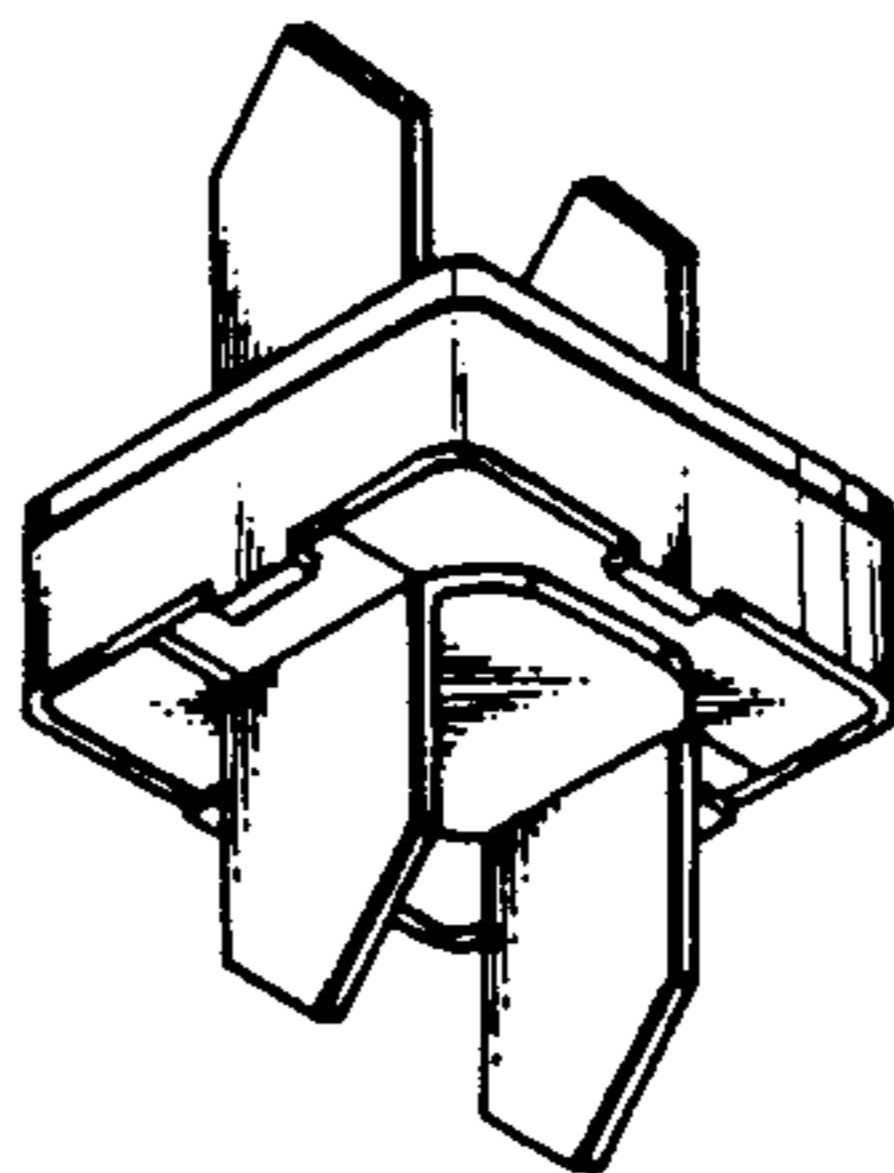


FIG. 29

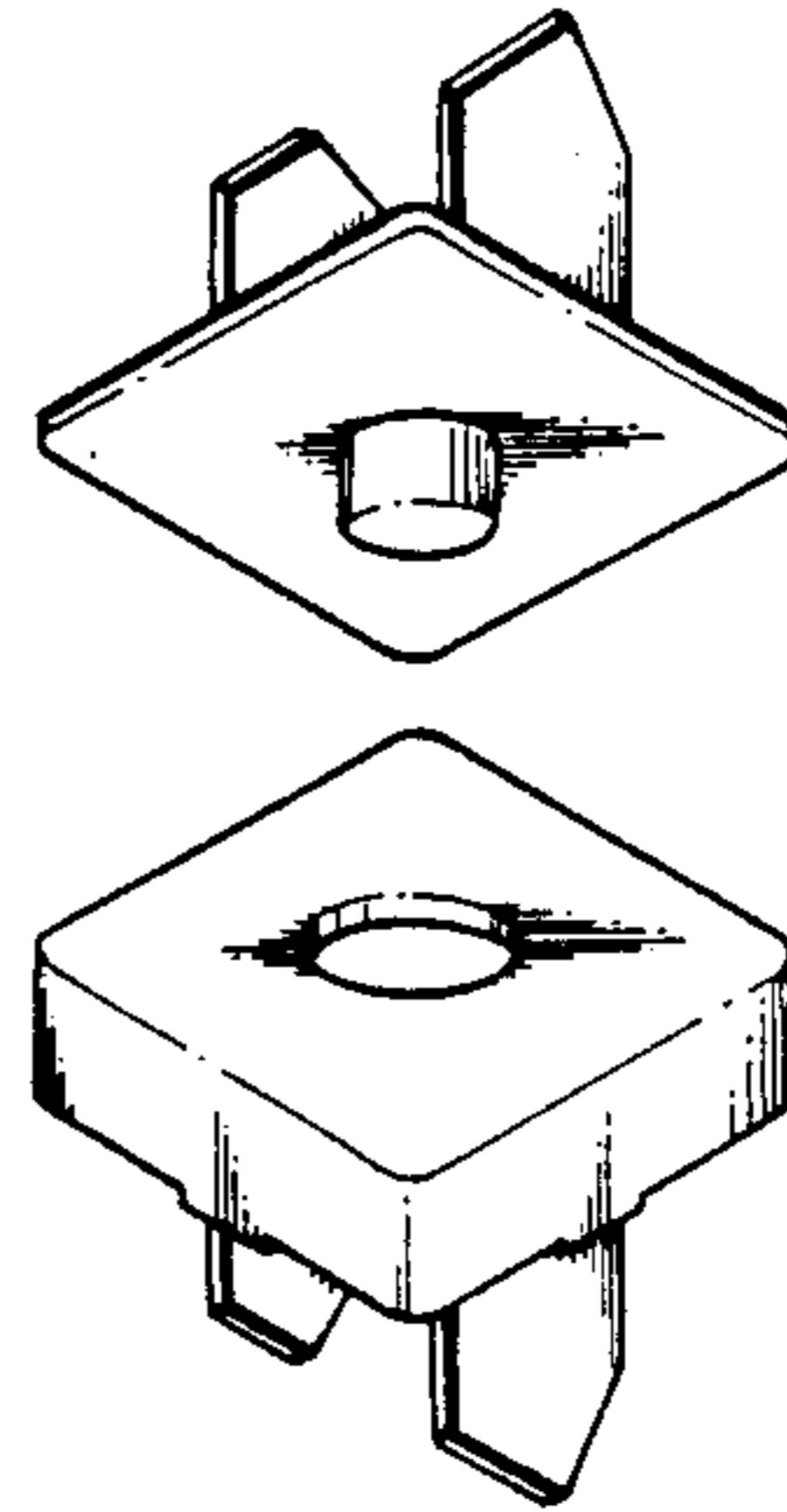


FIG. 30

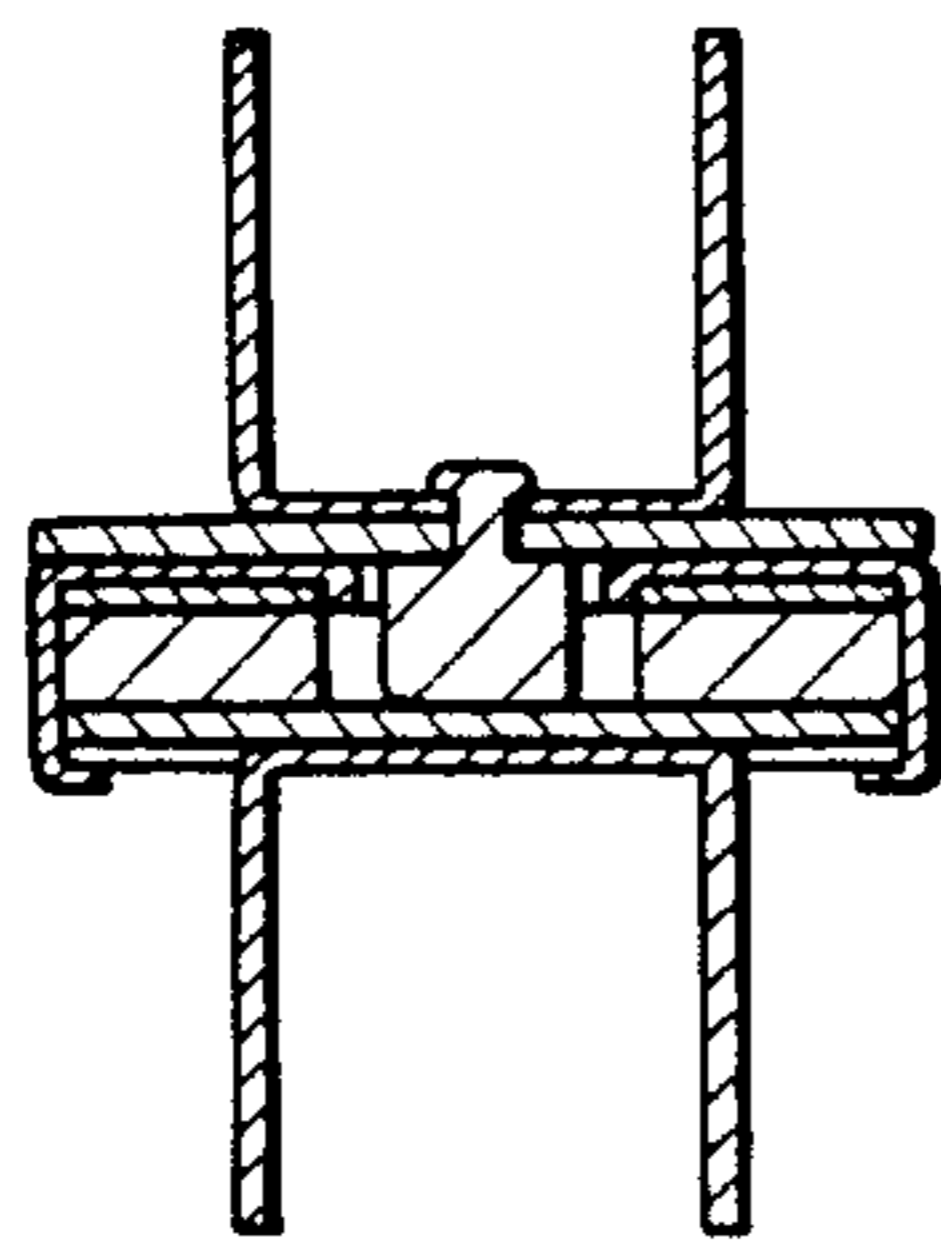


FIG. 31

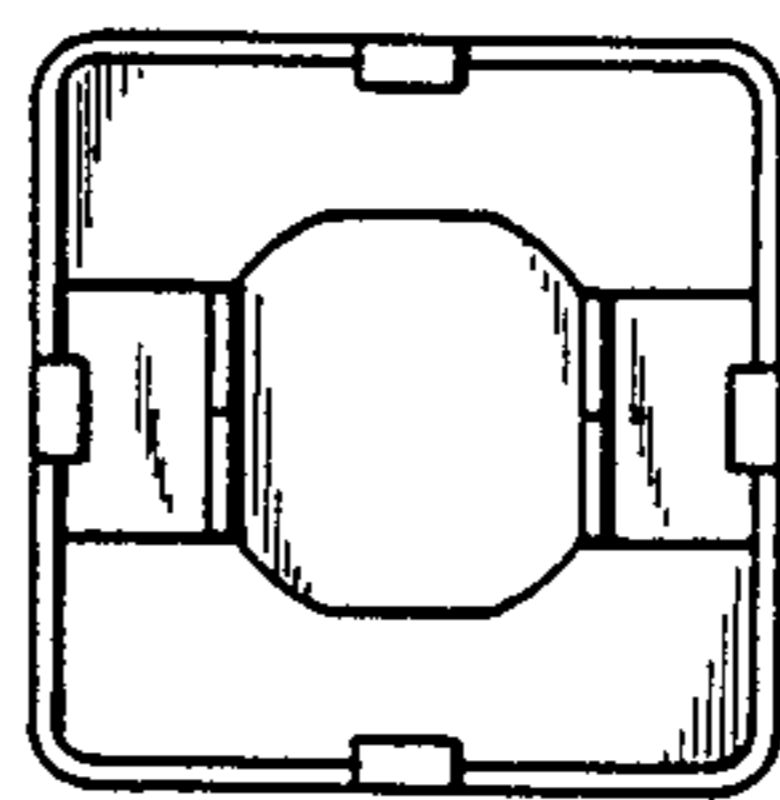


FIG. 32

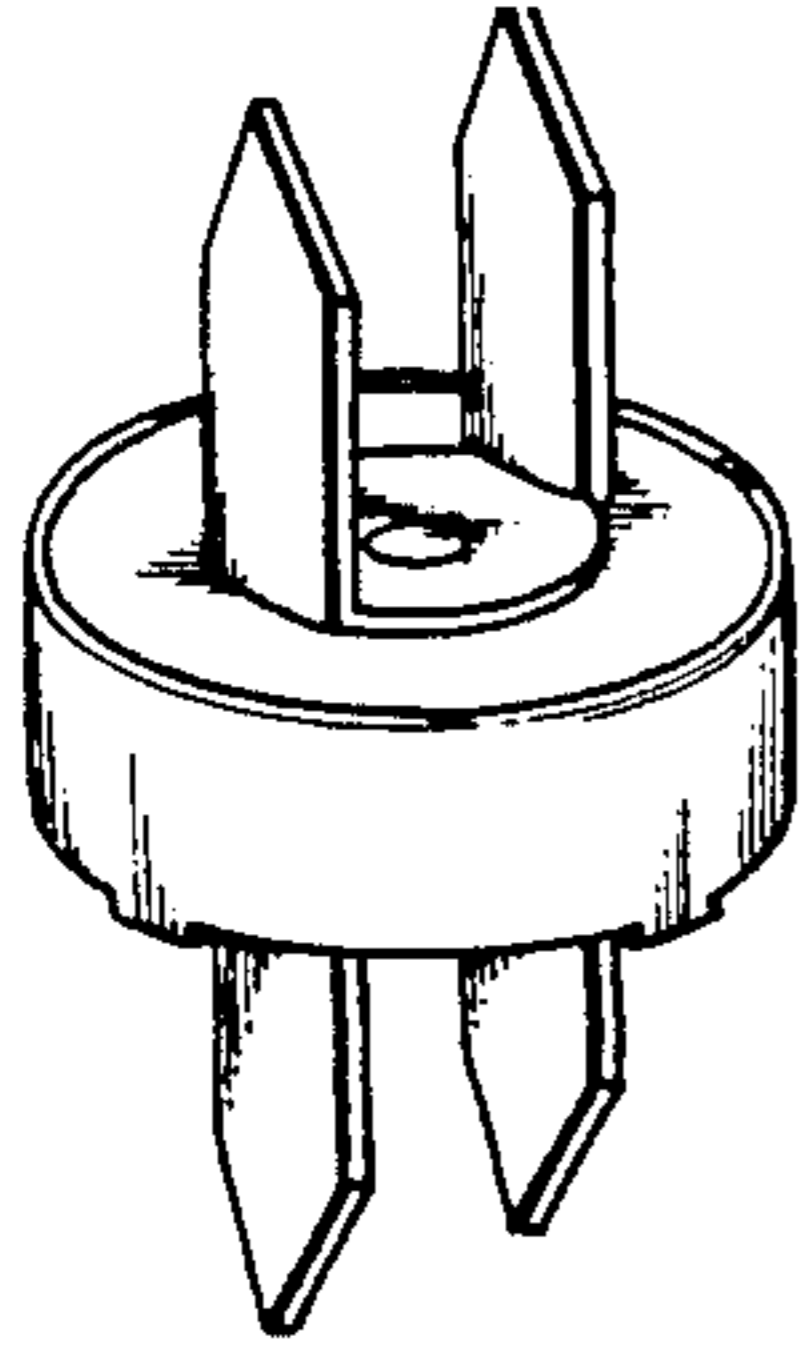


FIG. 33

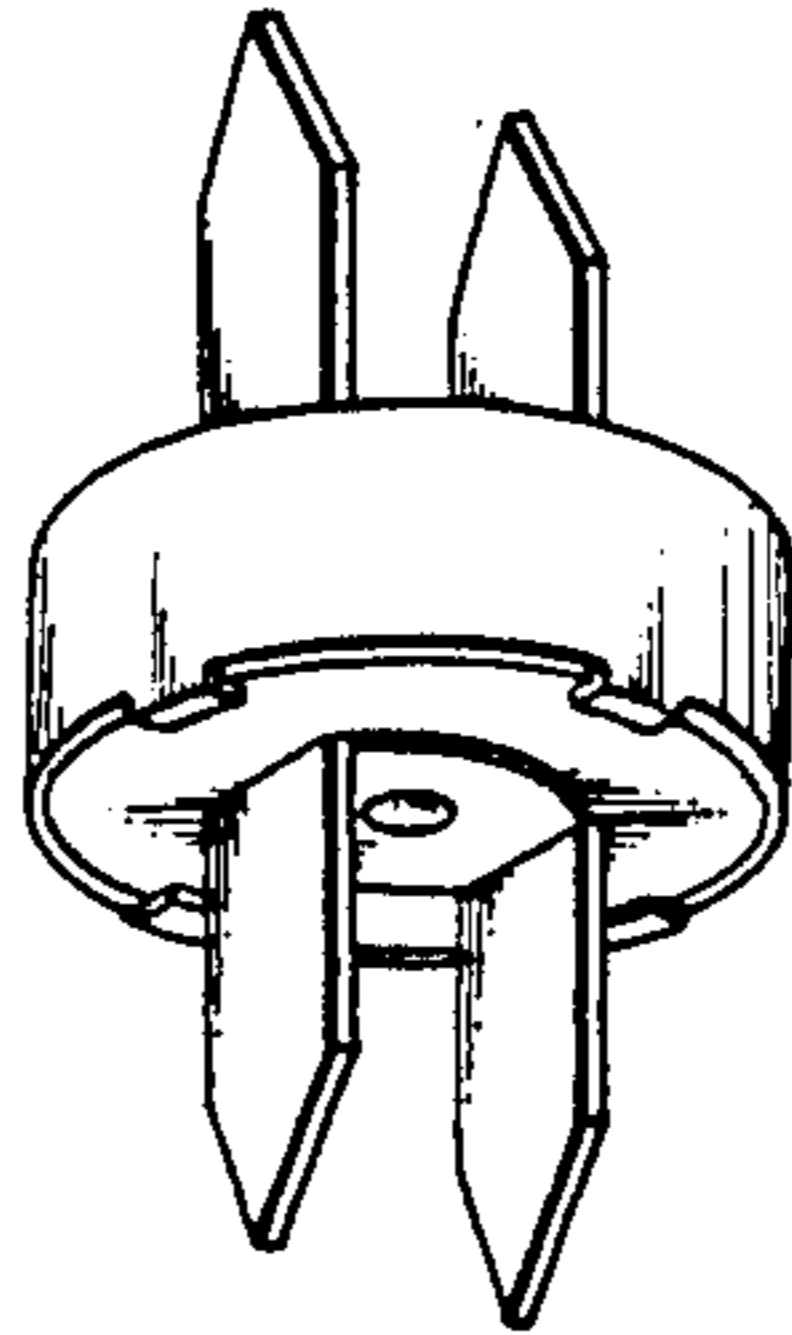


FIG. 35

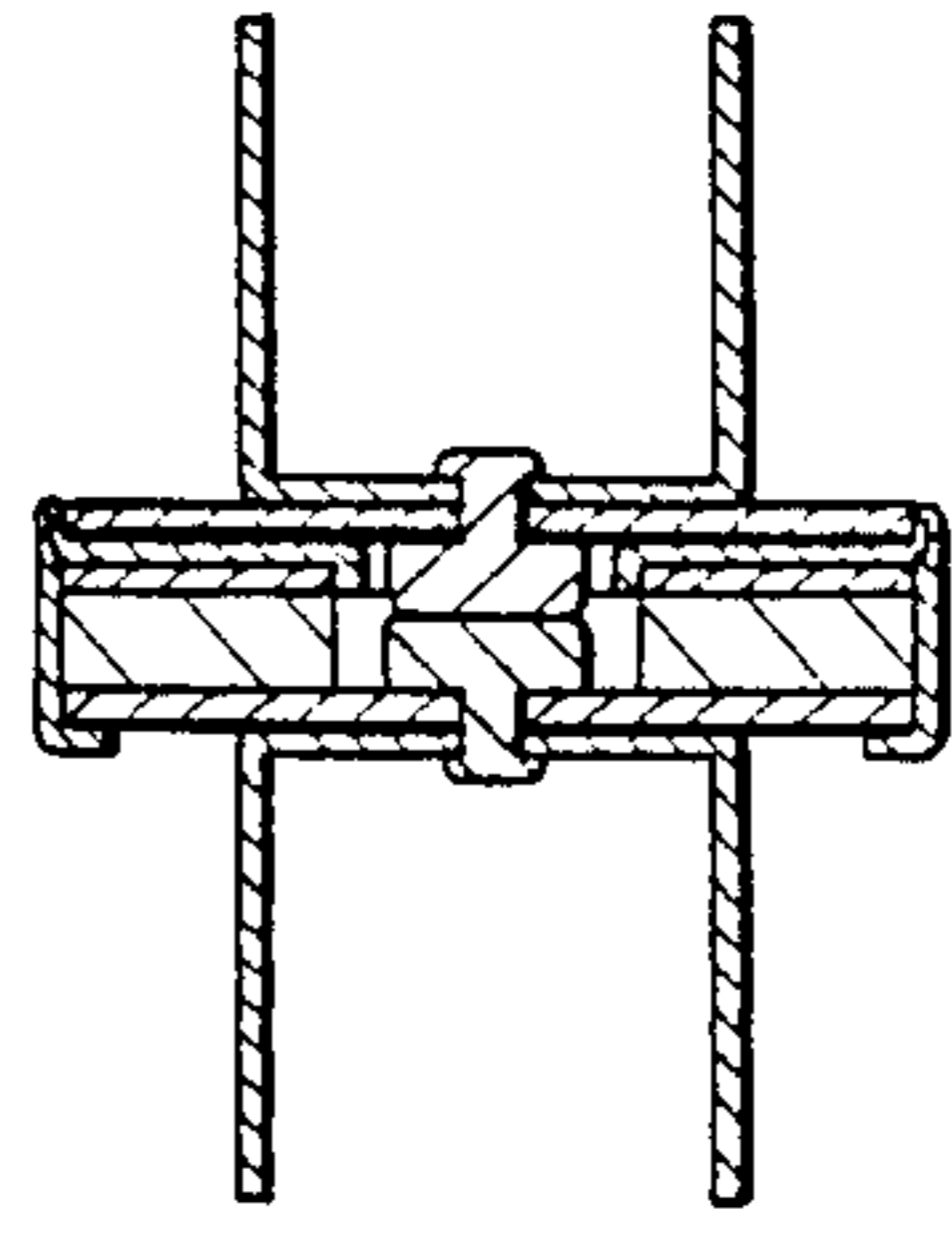


FIG. 34

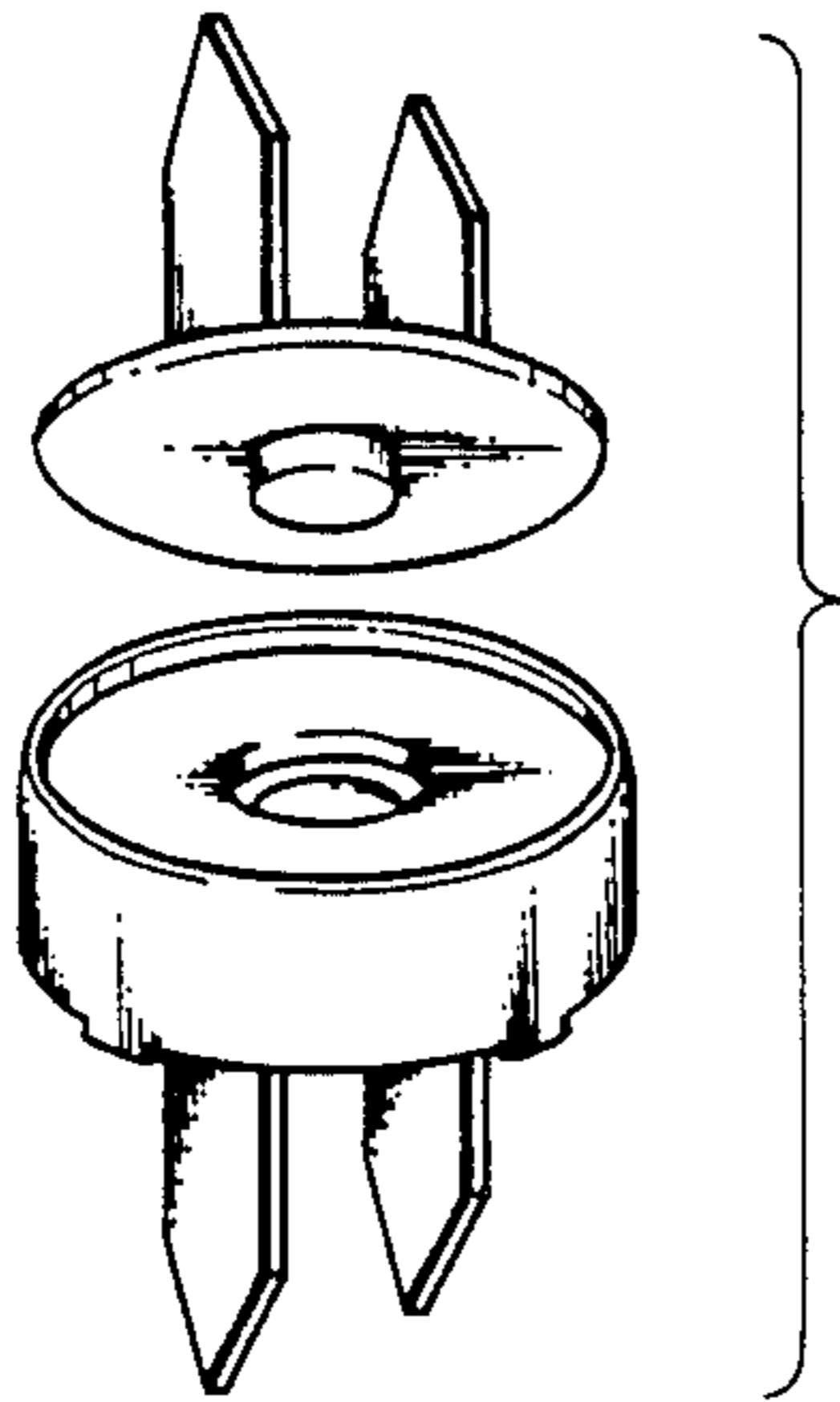


FIG. 36

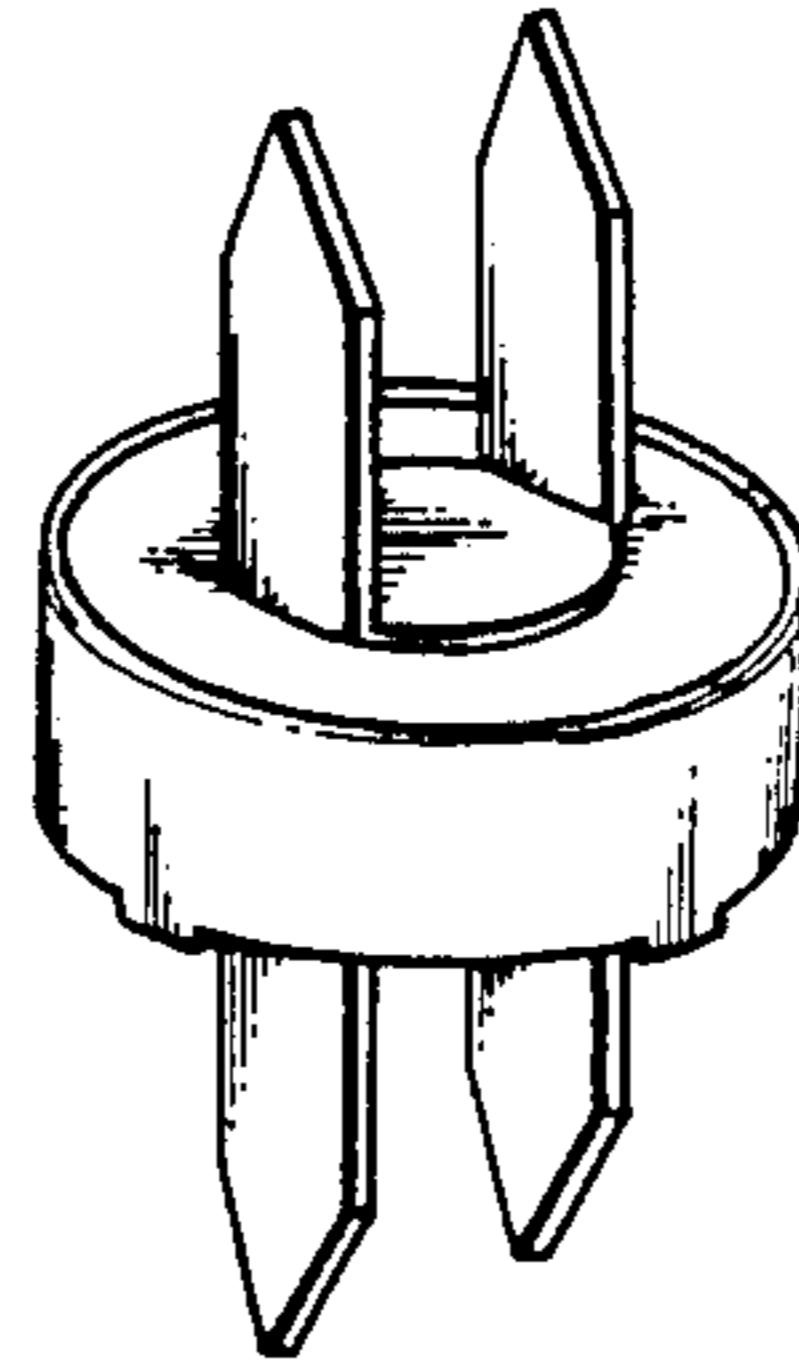


FIG. 38

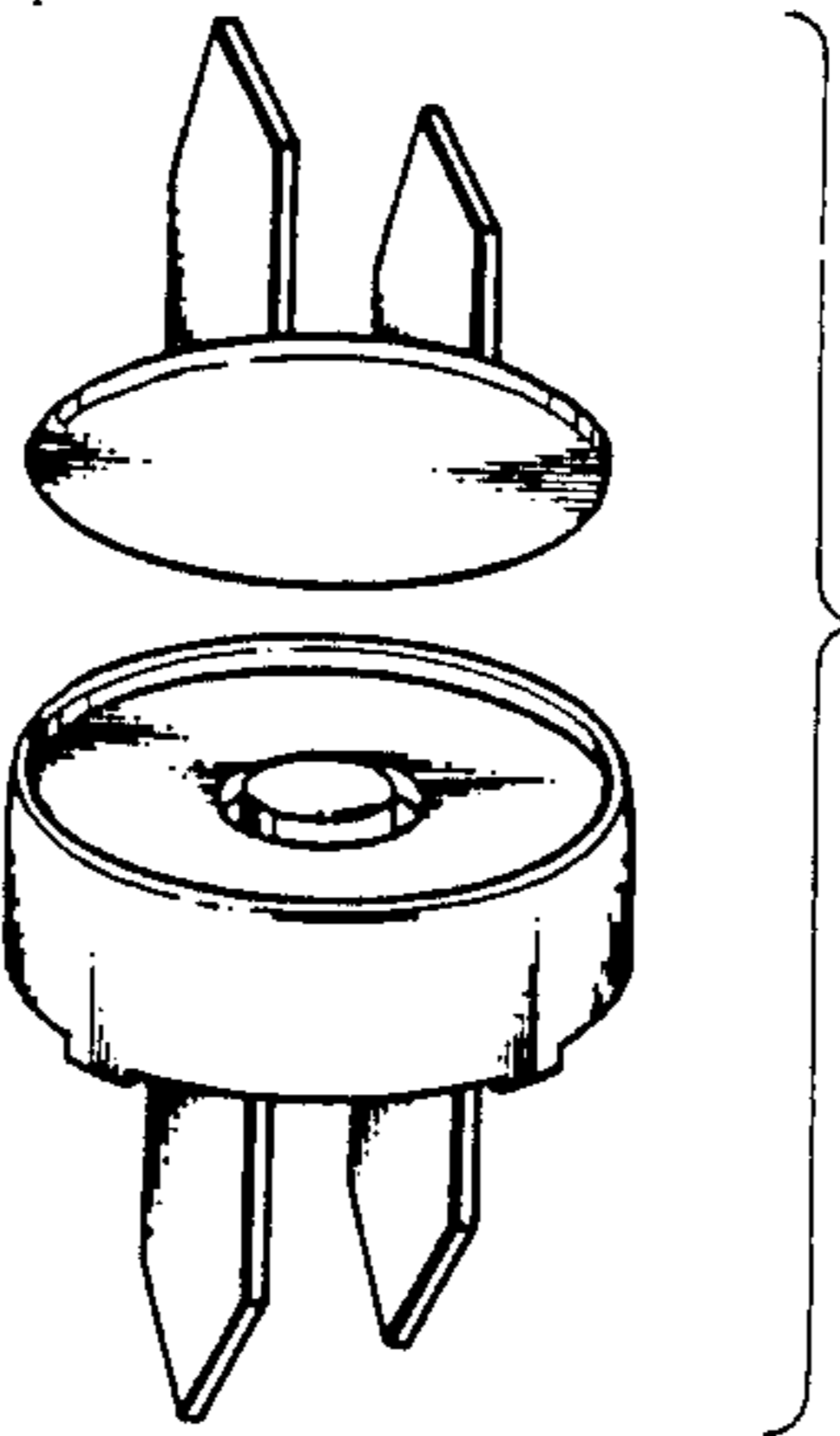


FIG. 37

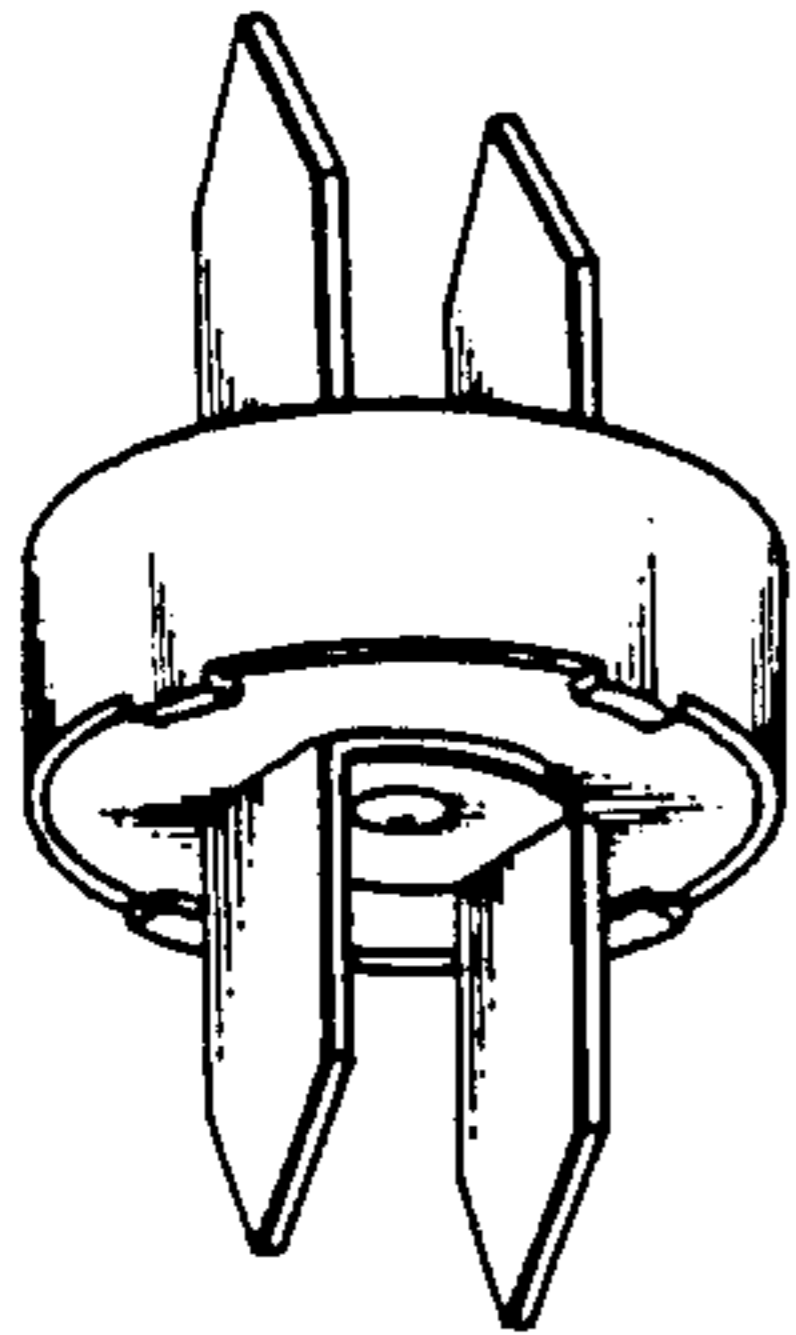


FIG. 39

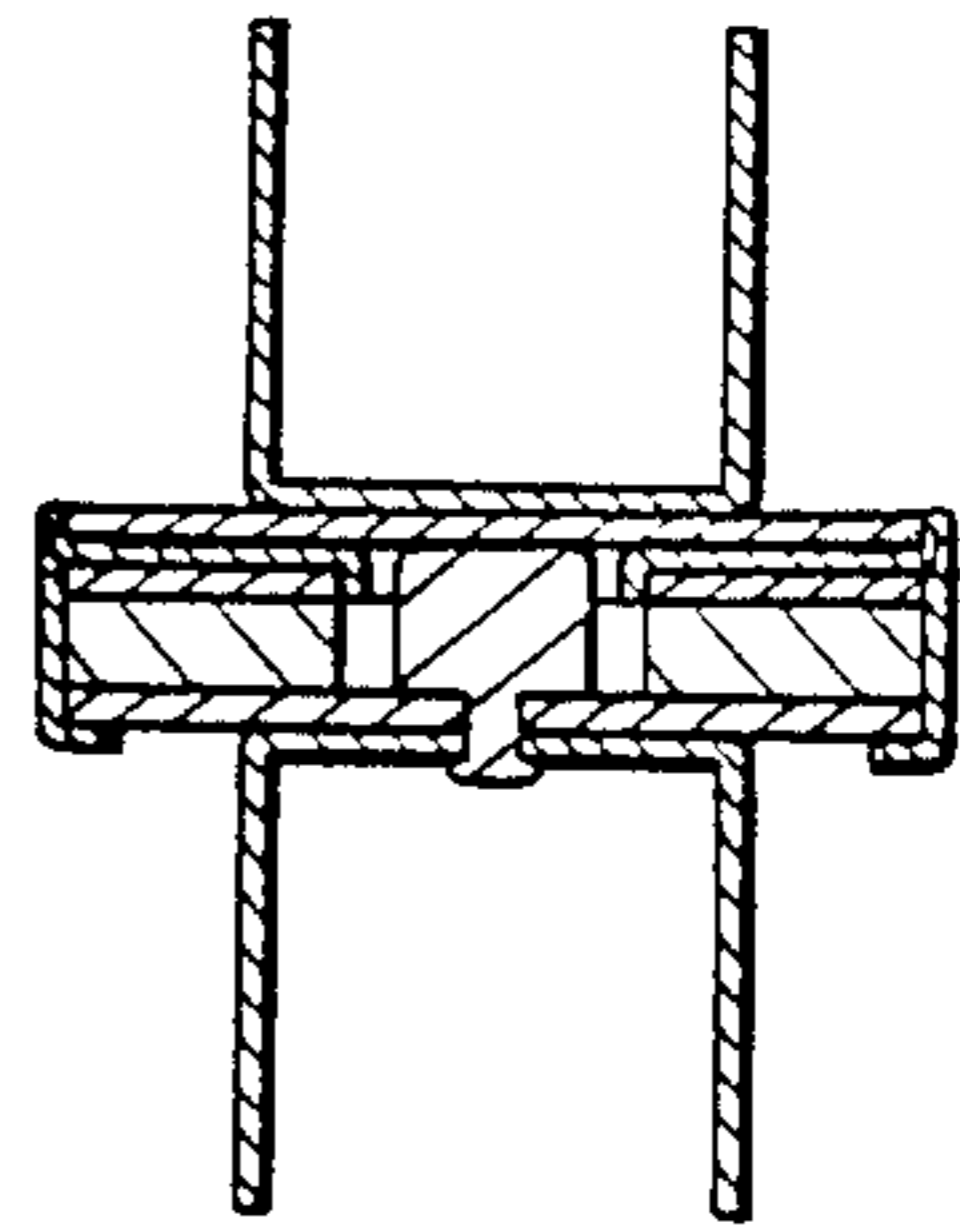


FIG. 40

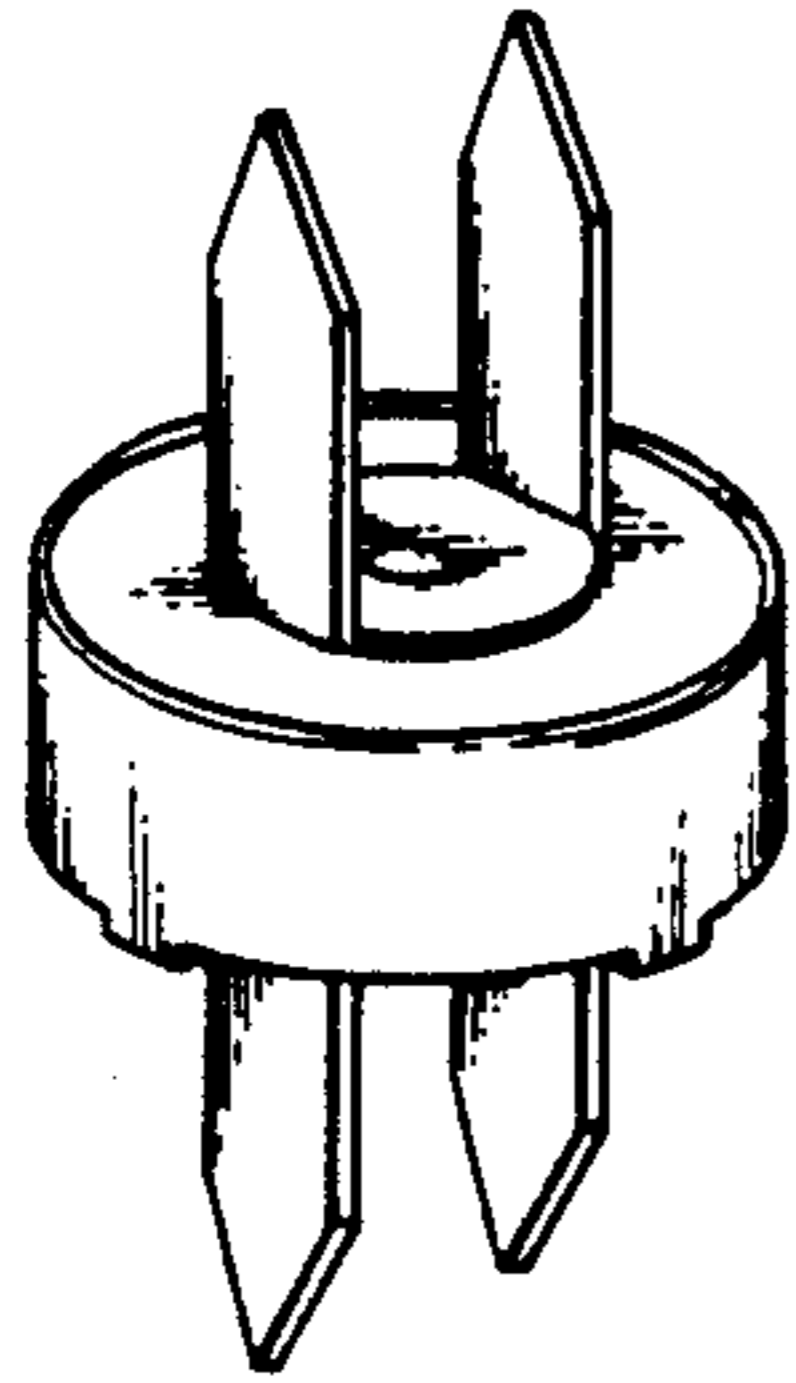


FIG. 41

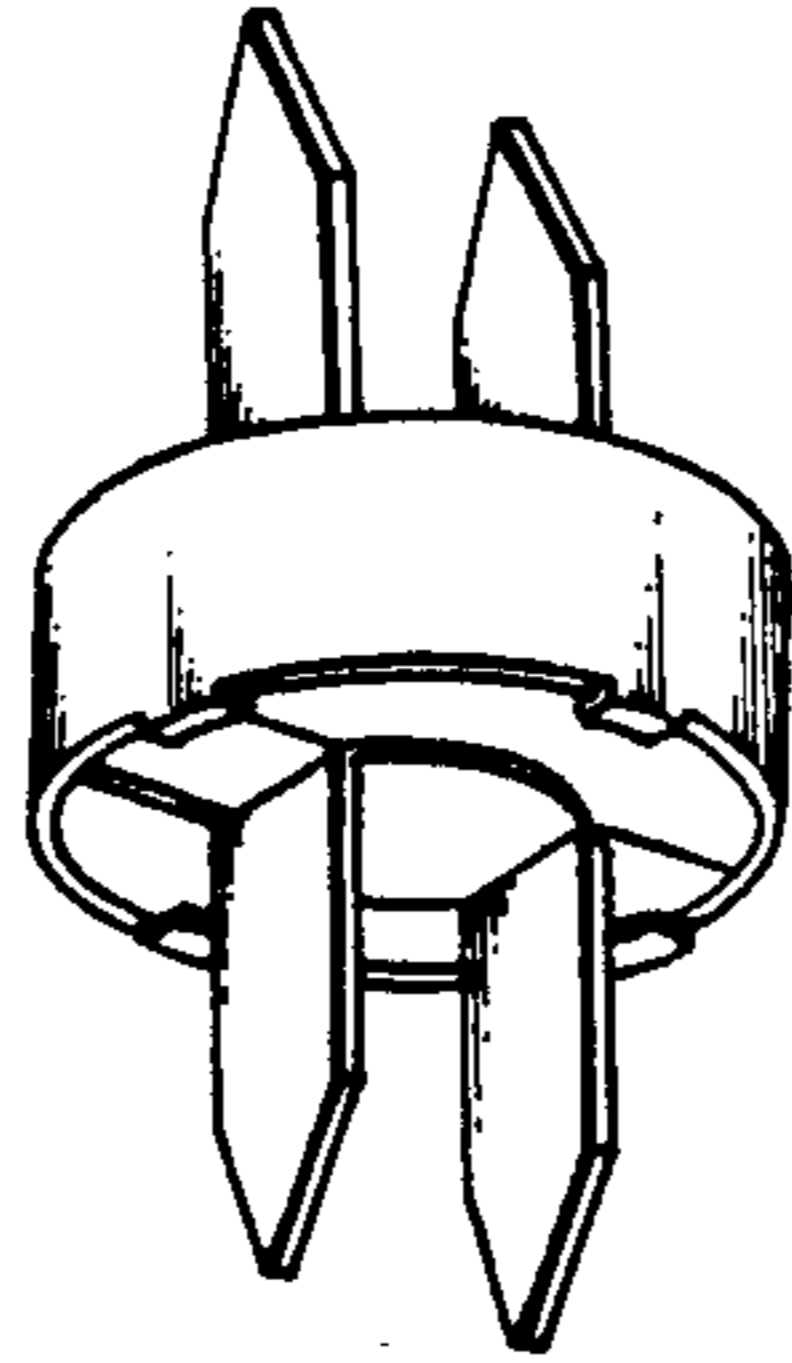


FIG. 42

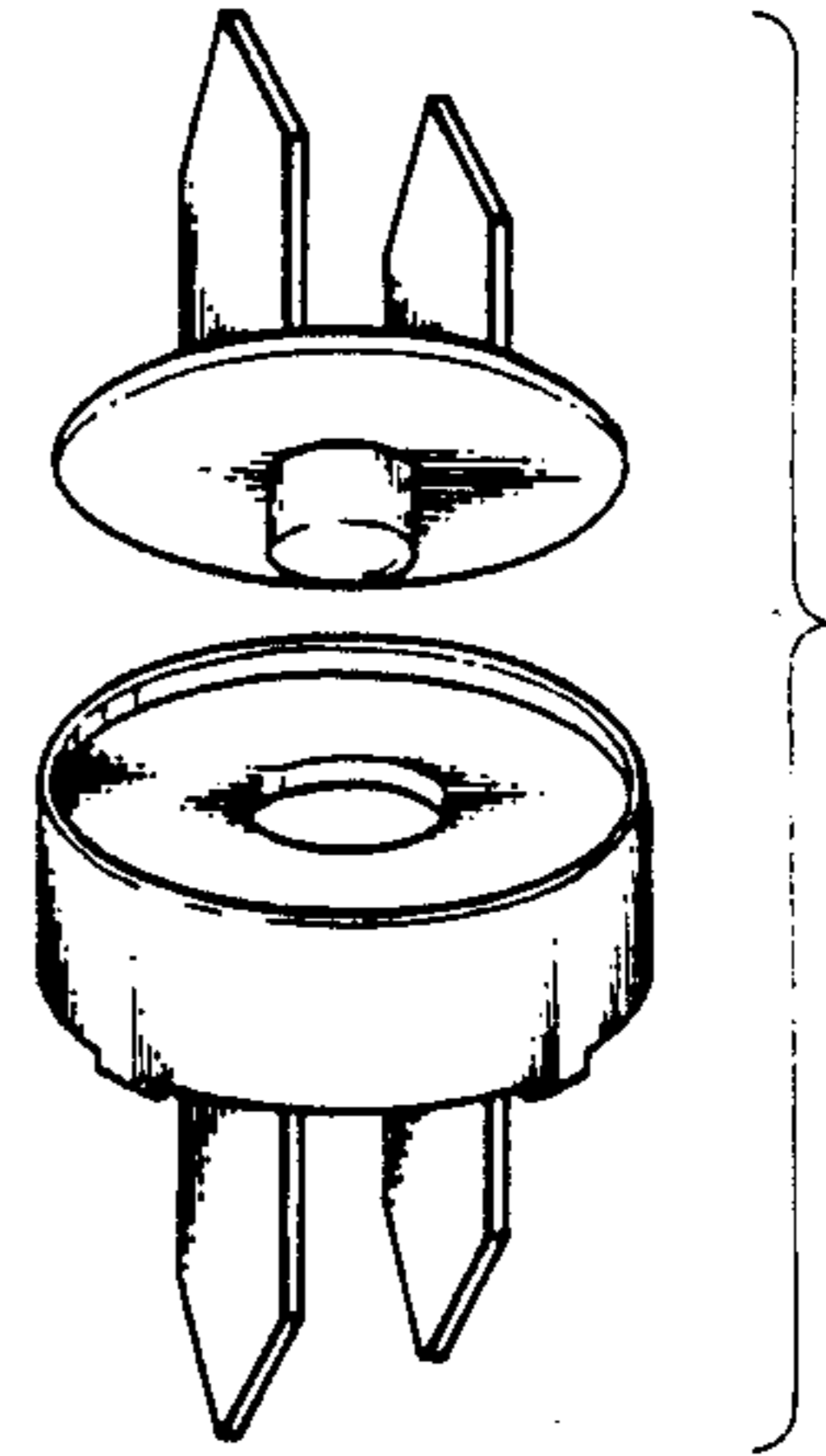


FIG. 43

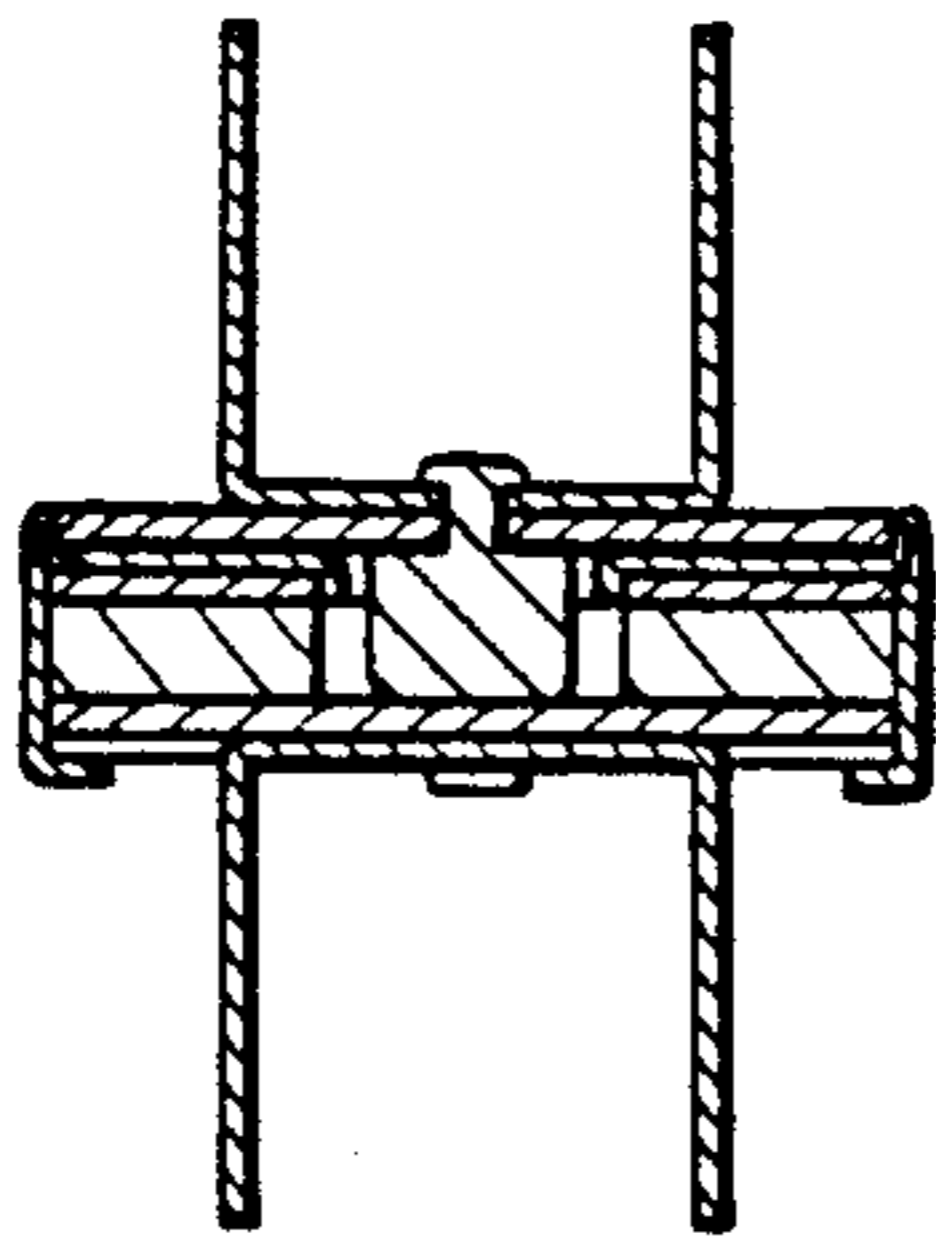


FIG. 44

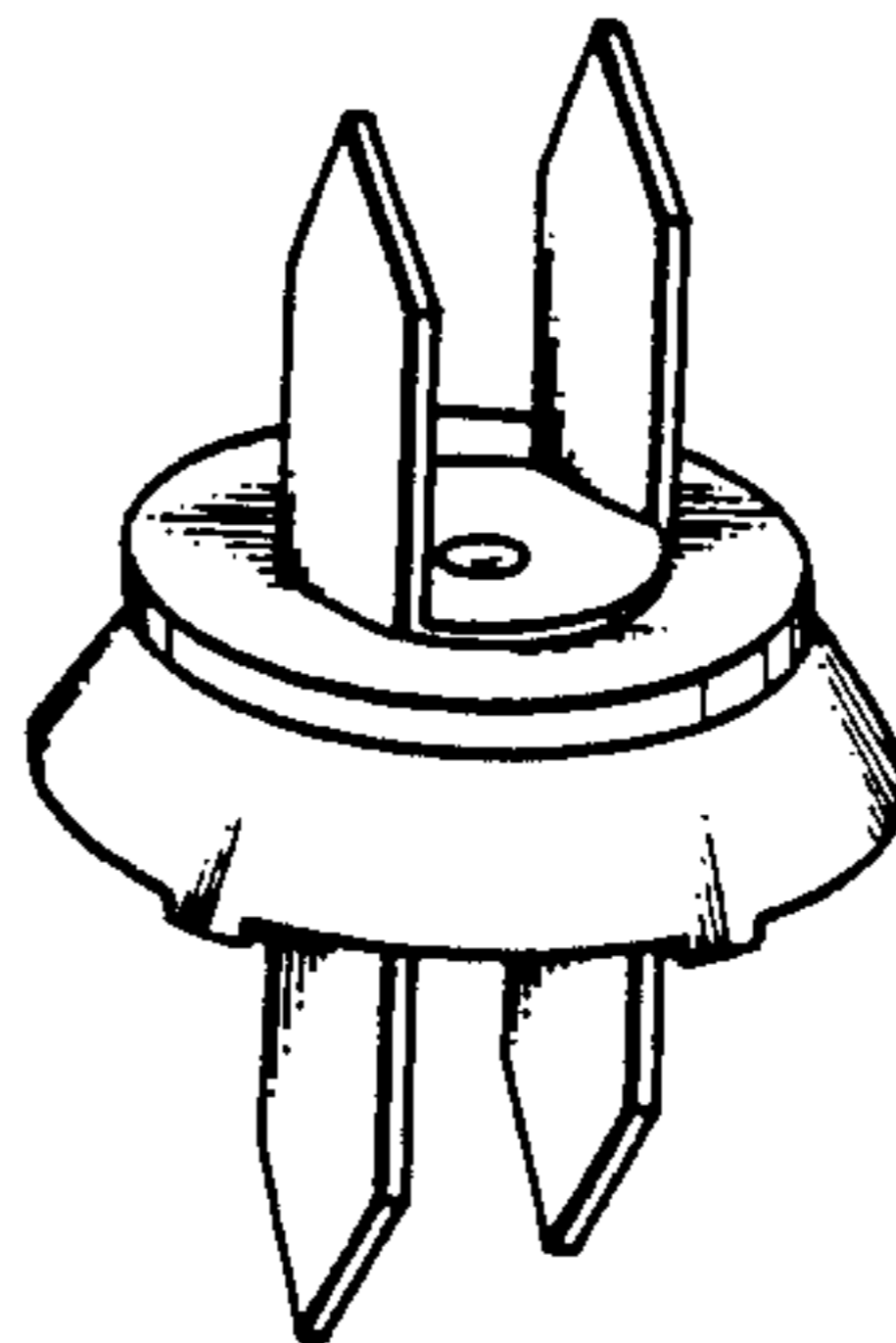


FIG. 45

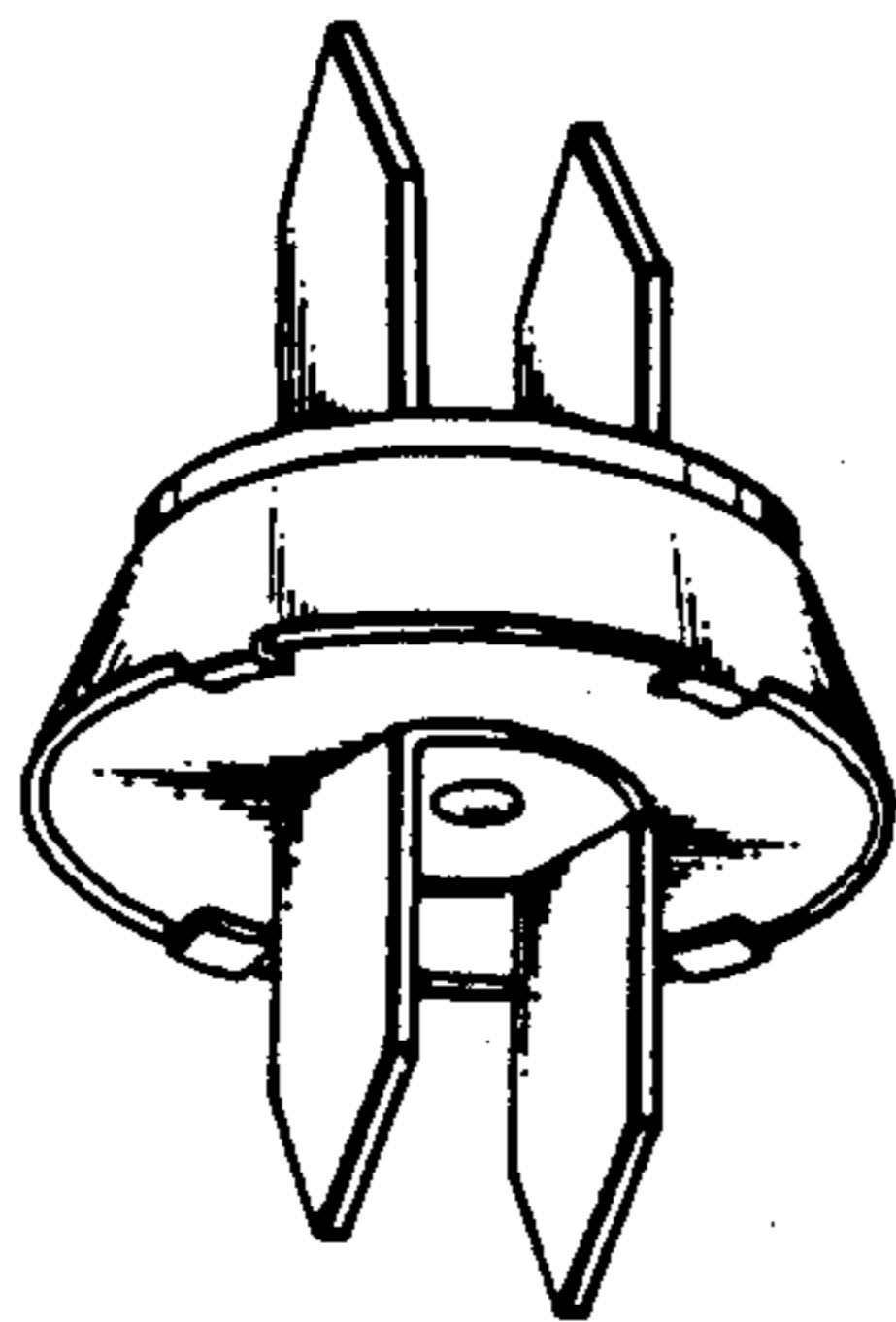


FIG. 46

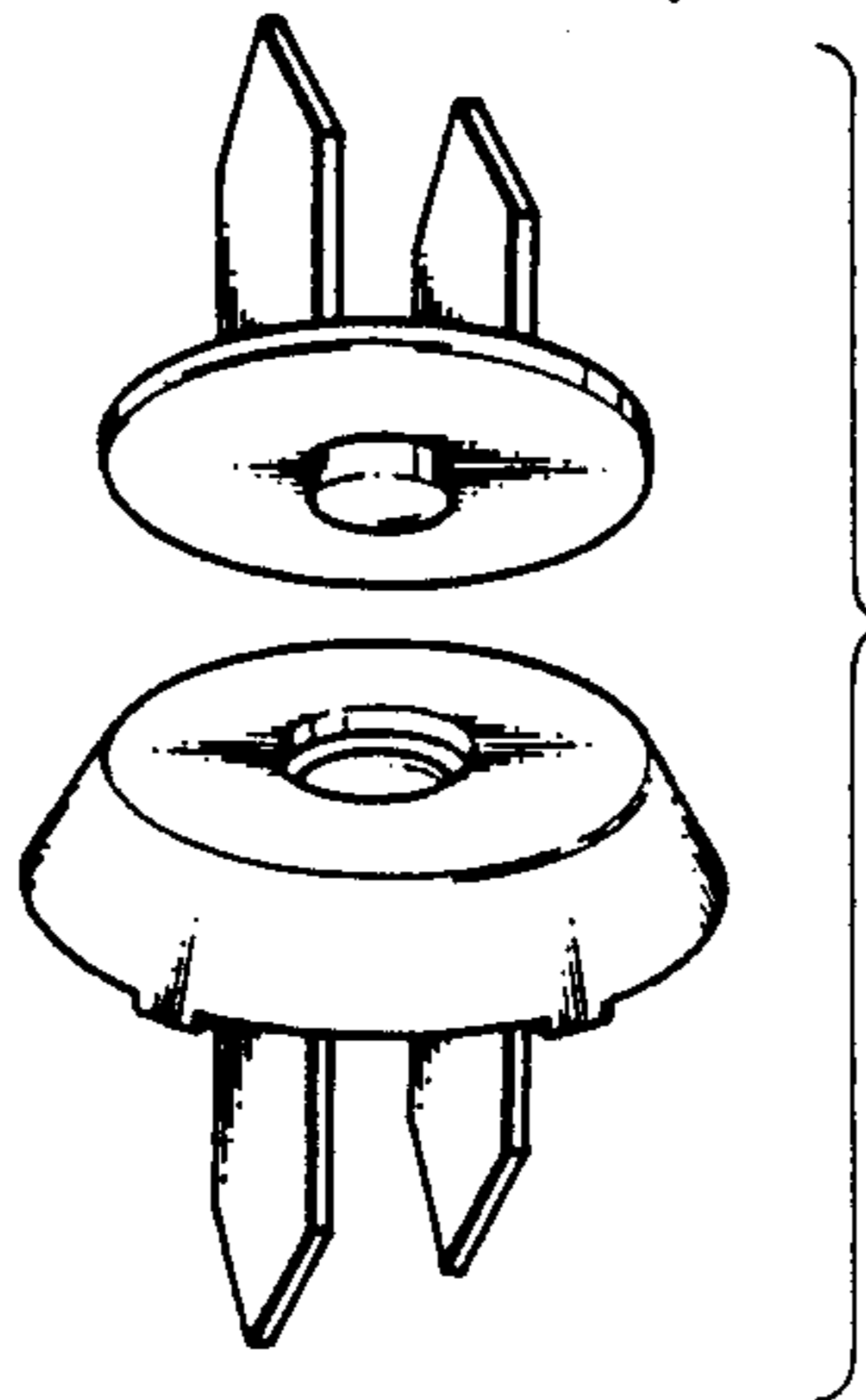


FIG. 47

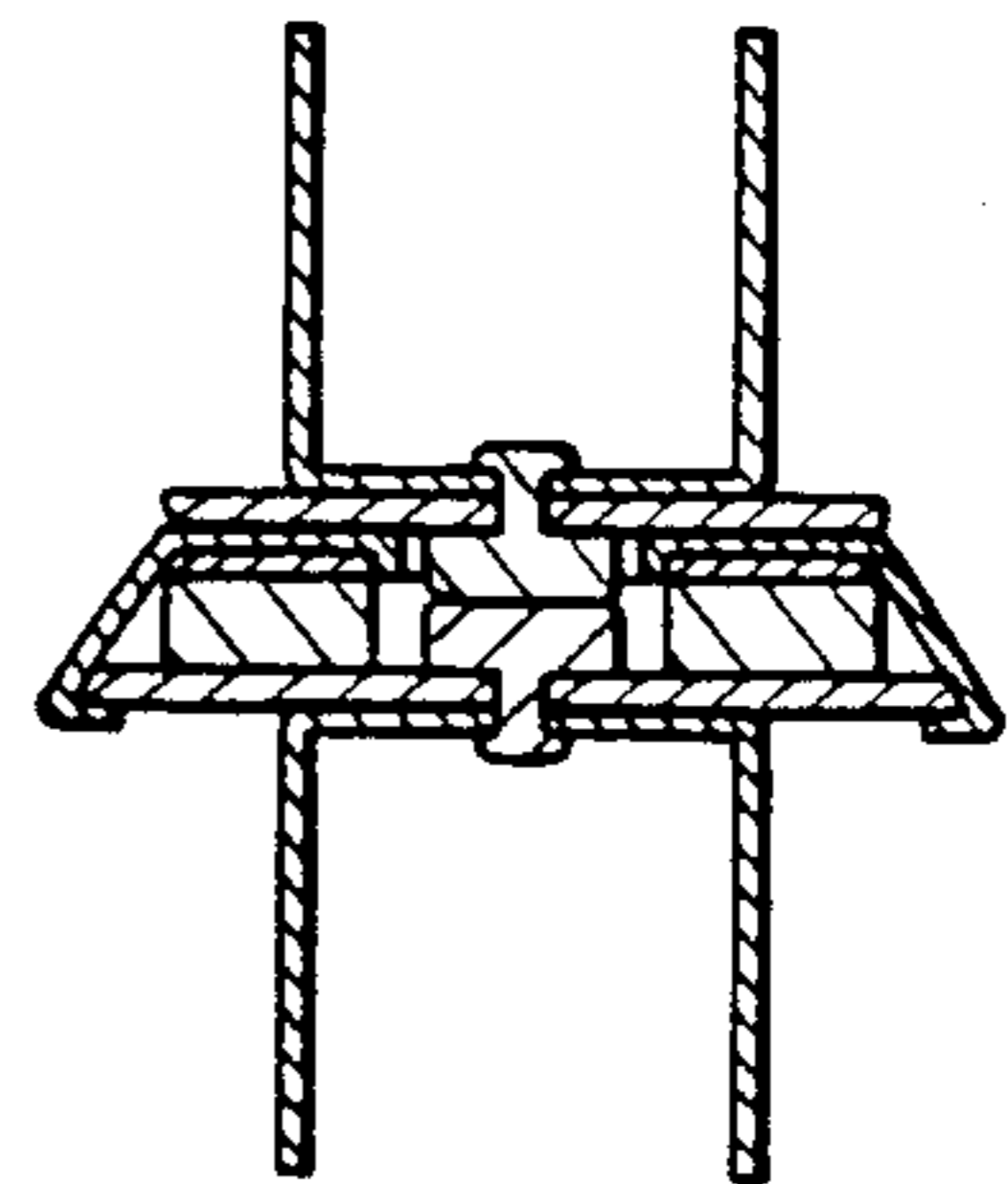


FIG. 48

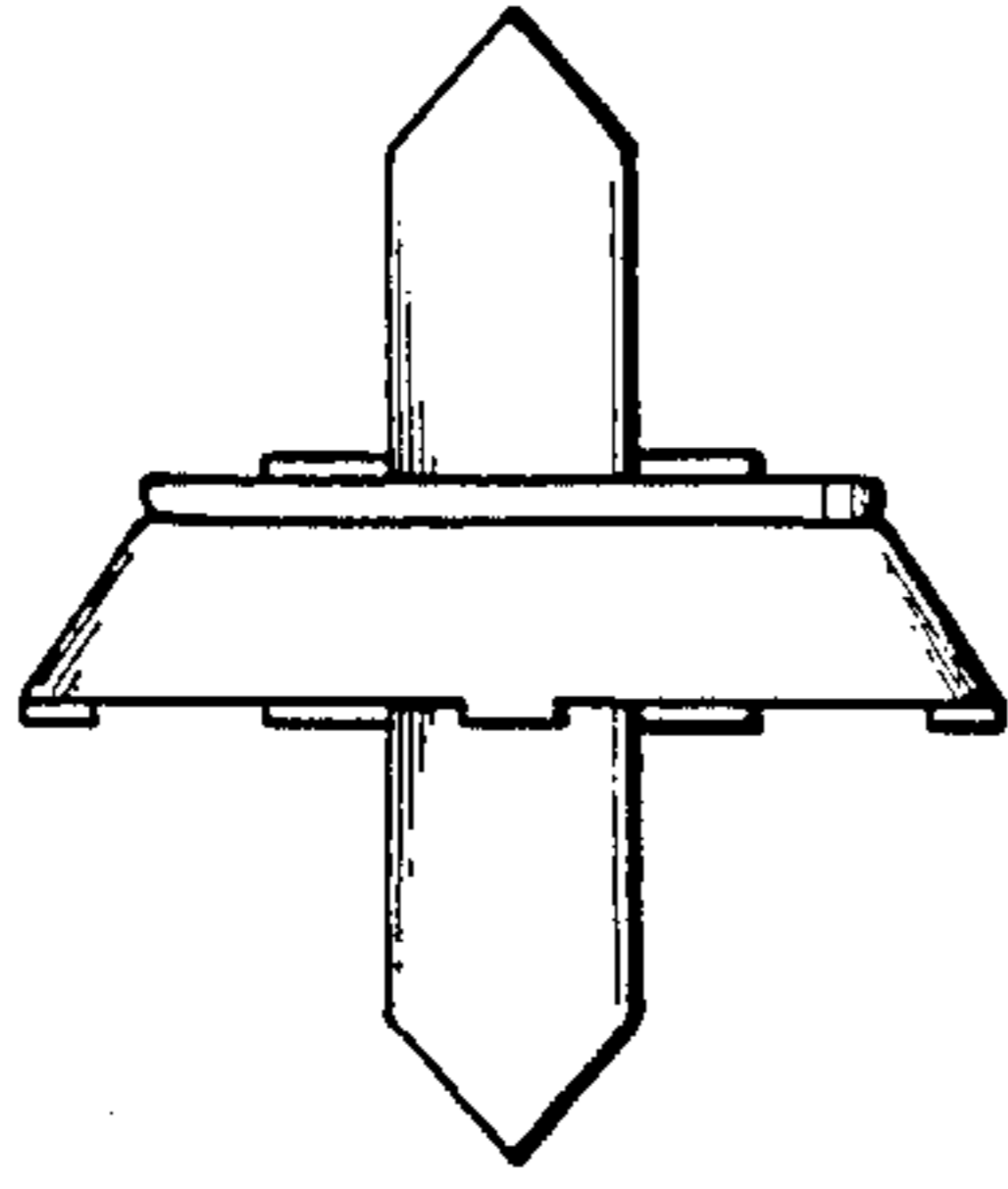


FIG. 49

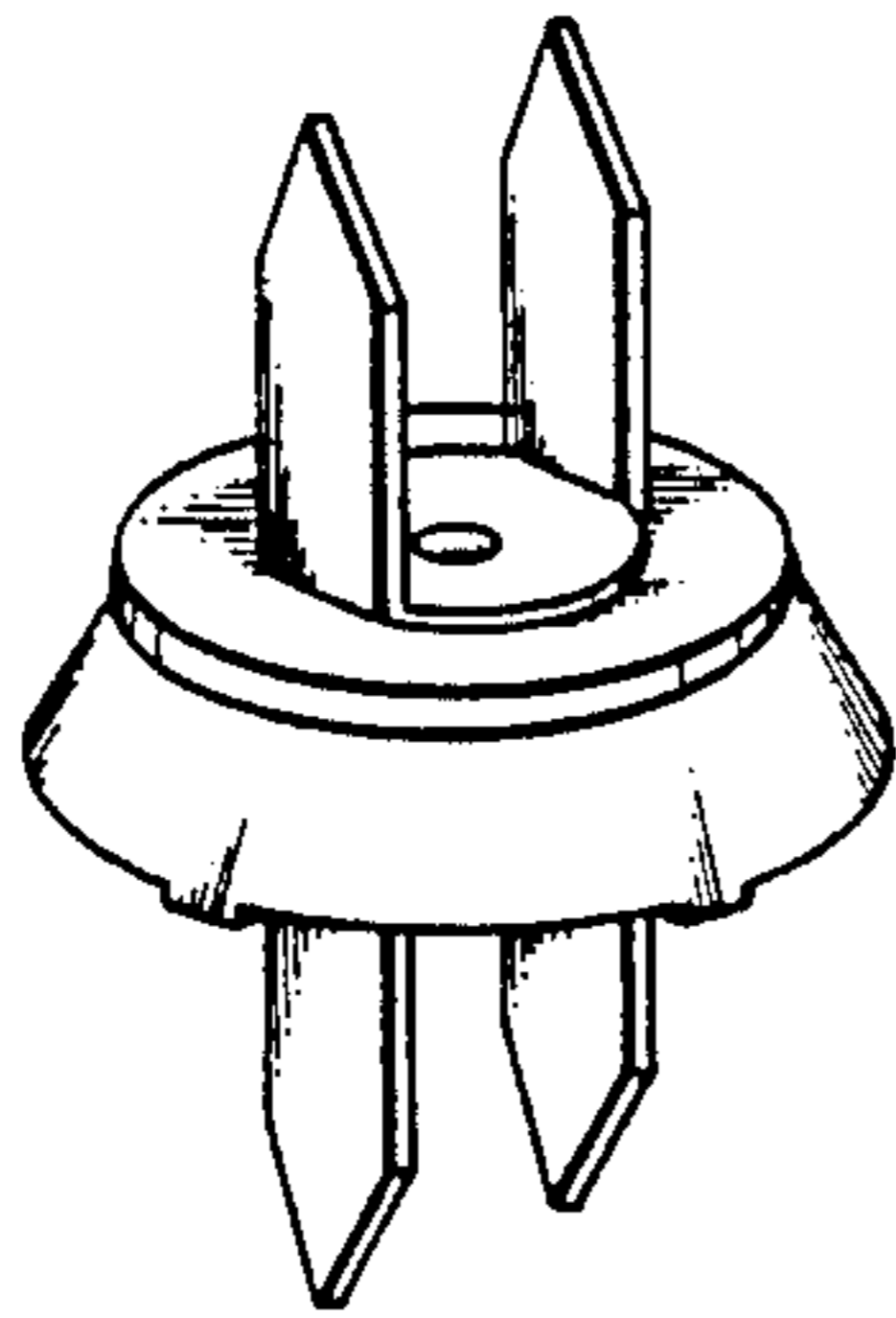


FIG. 51

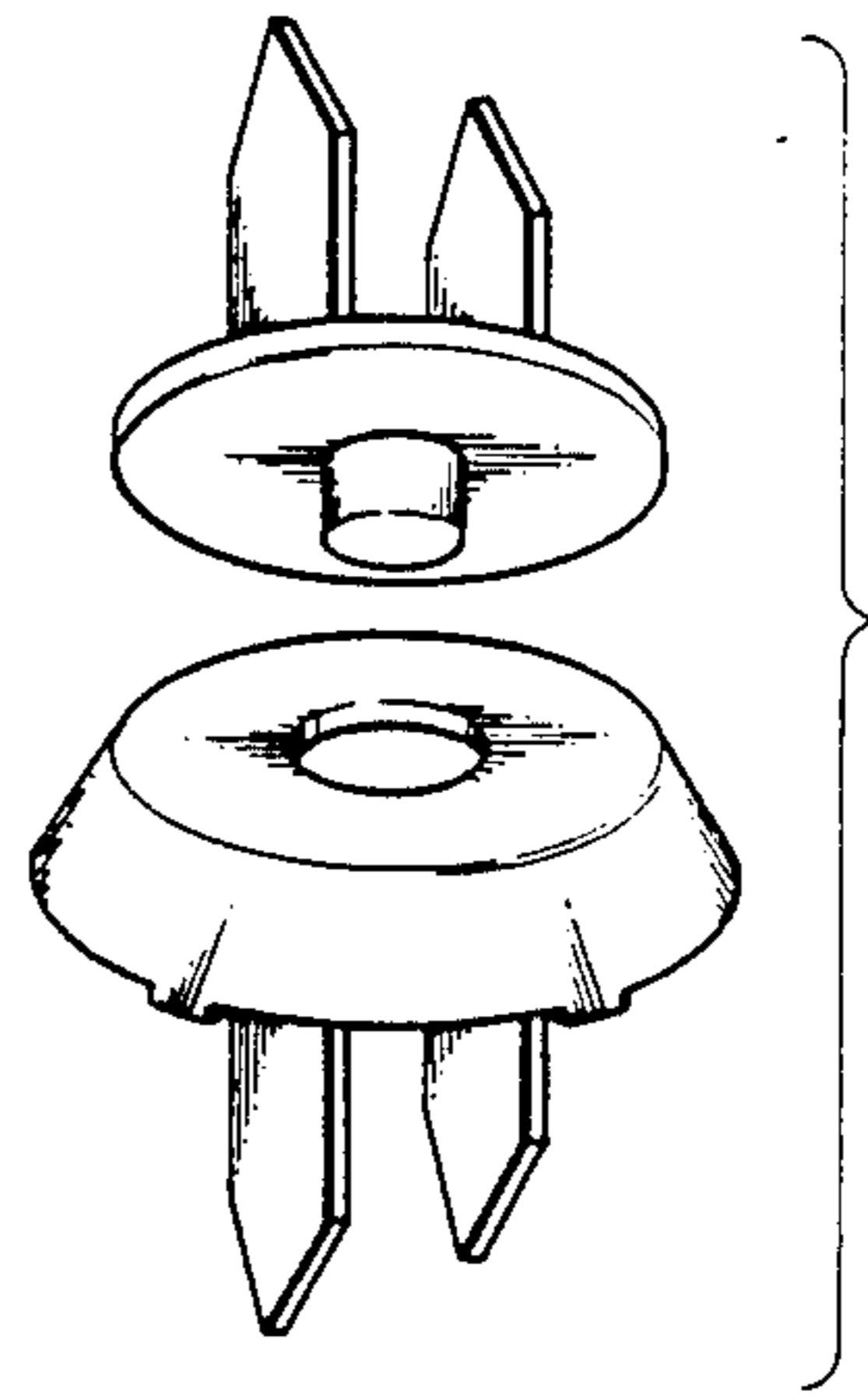


FIG. 50

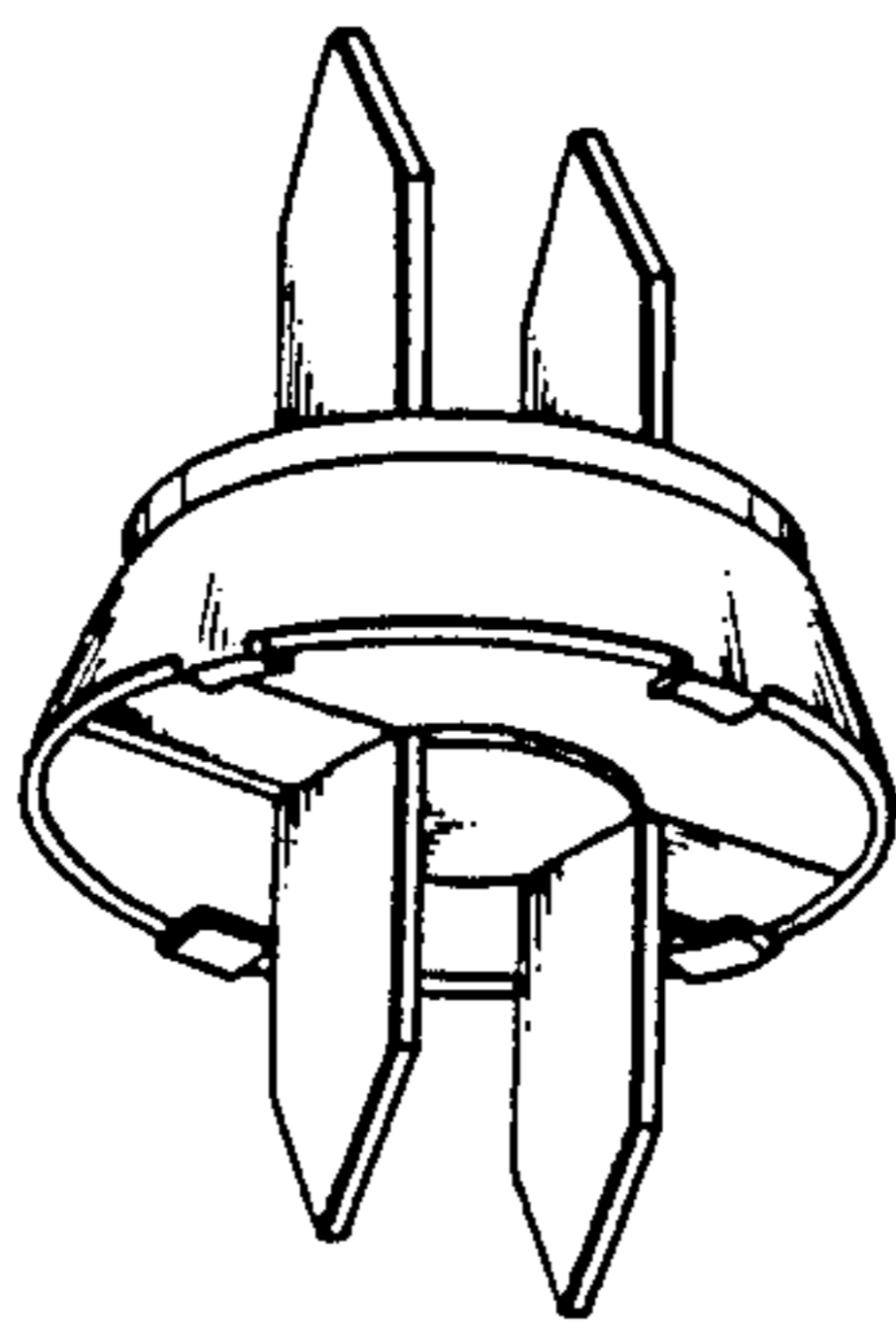


FIG. 52

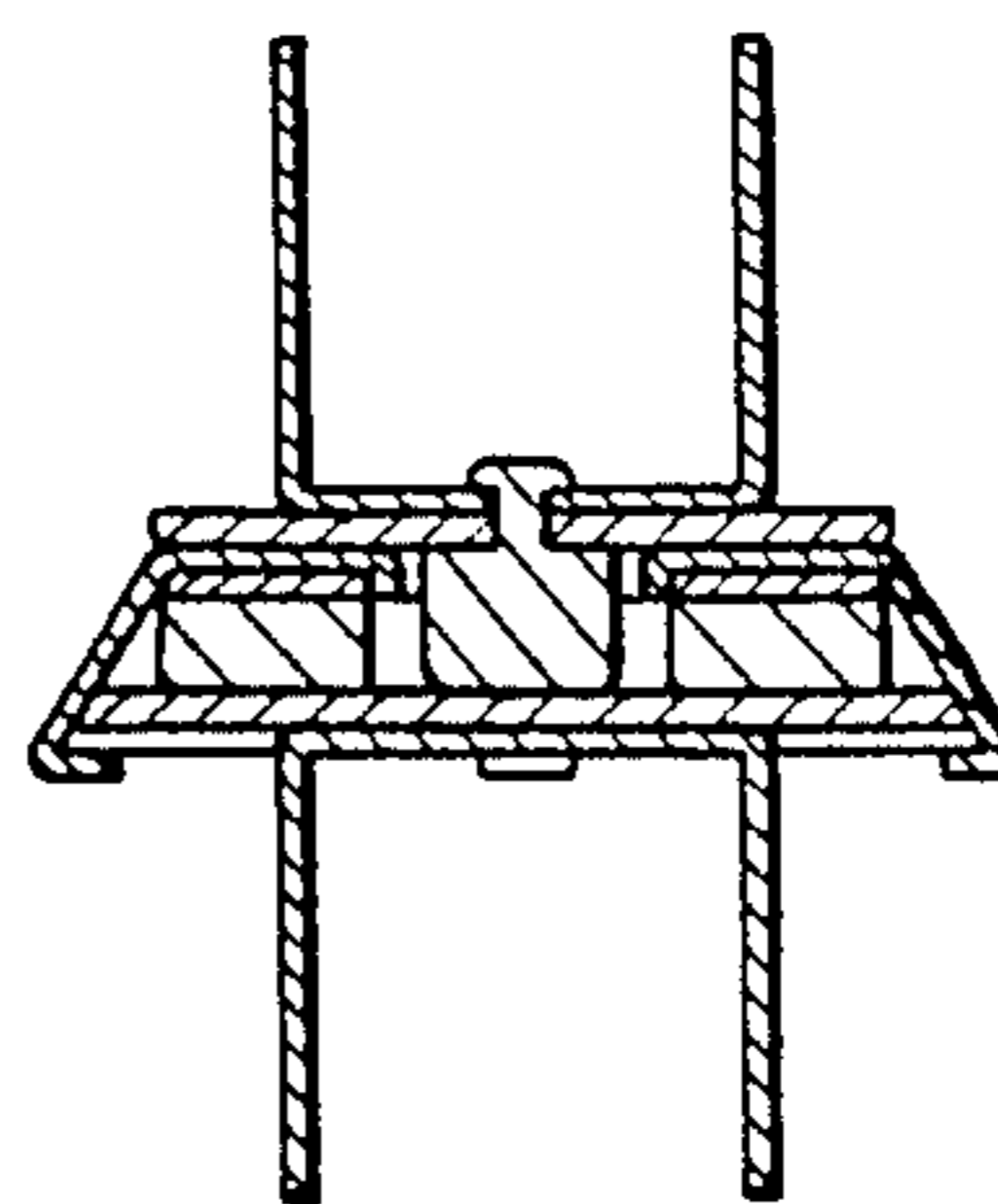


FIG. 53

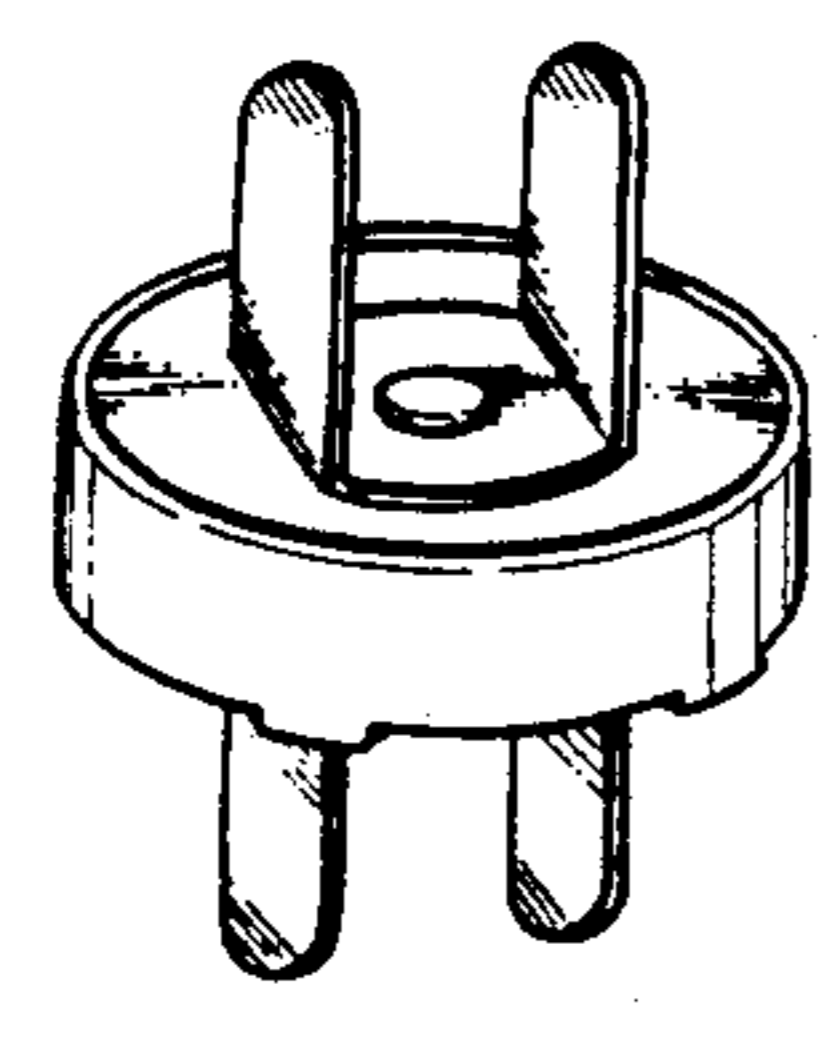


FIG. 54

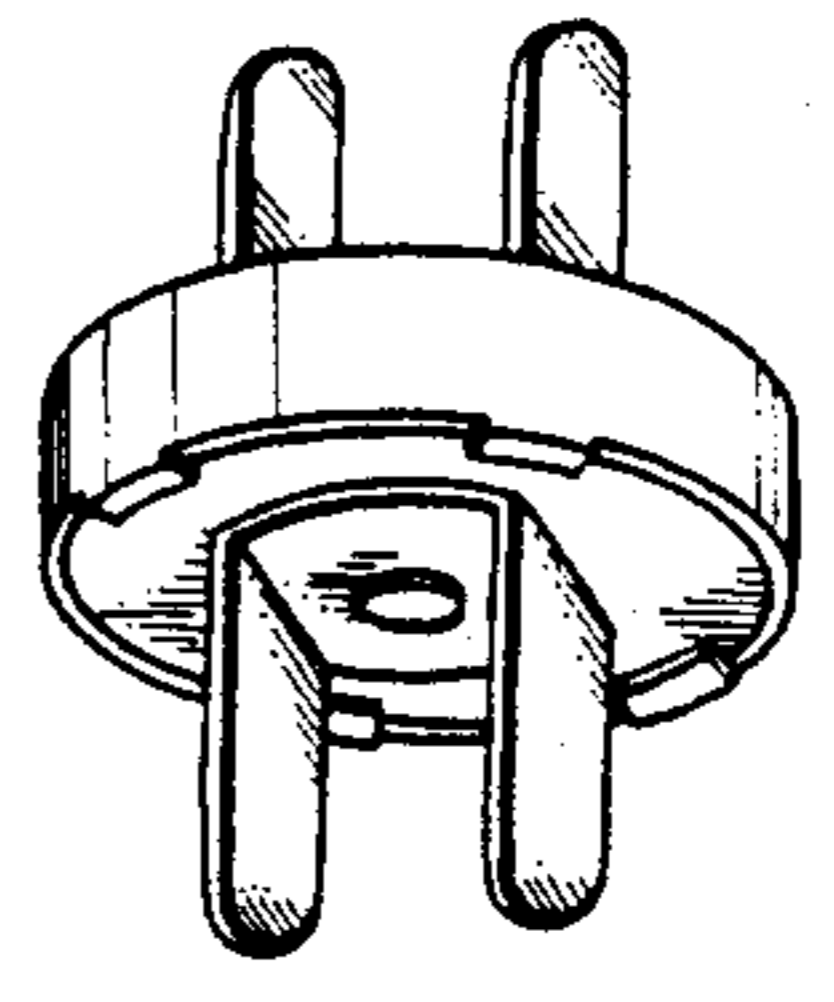


FIG. 55

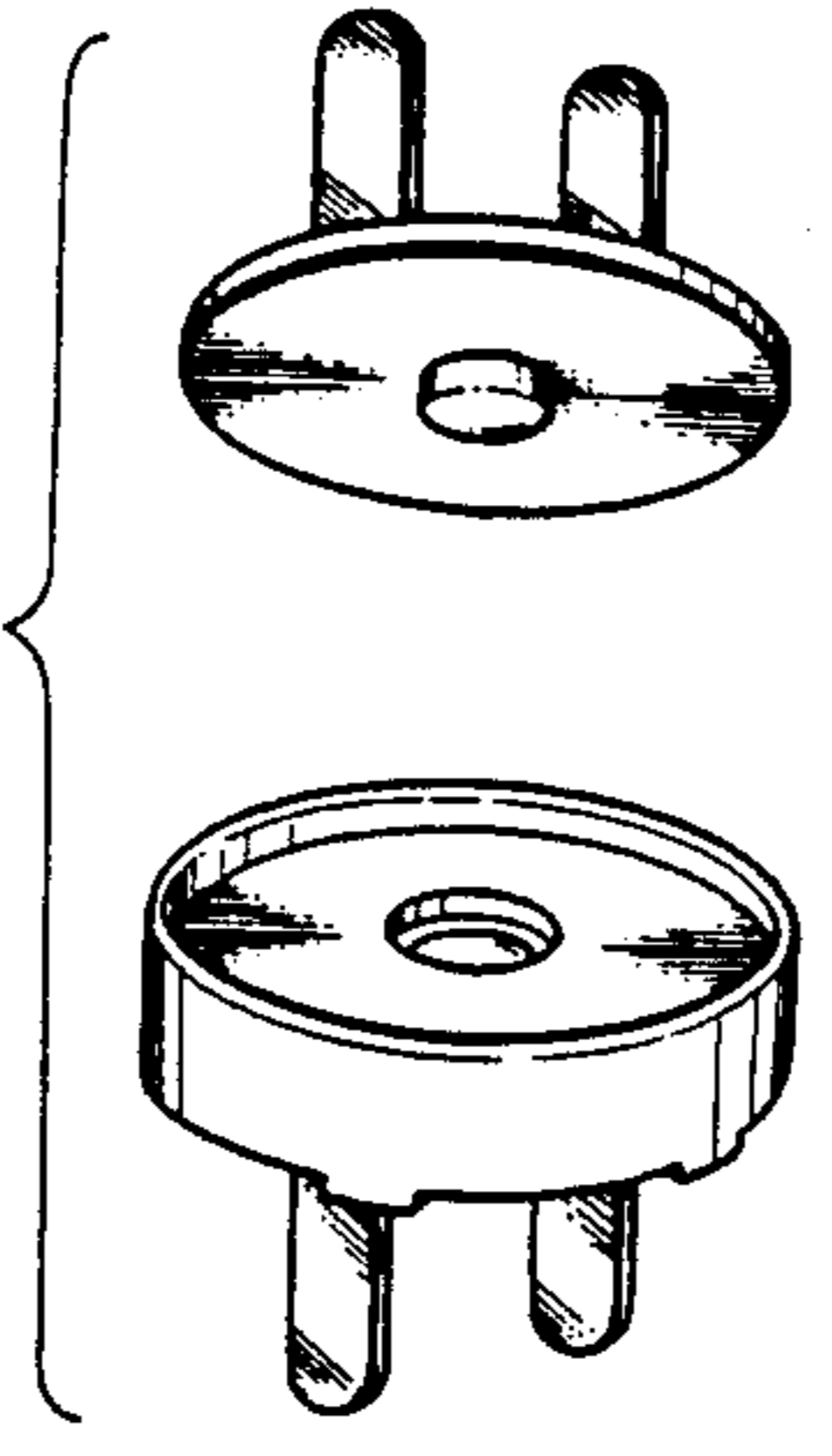


FIG. 56

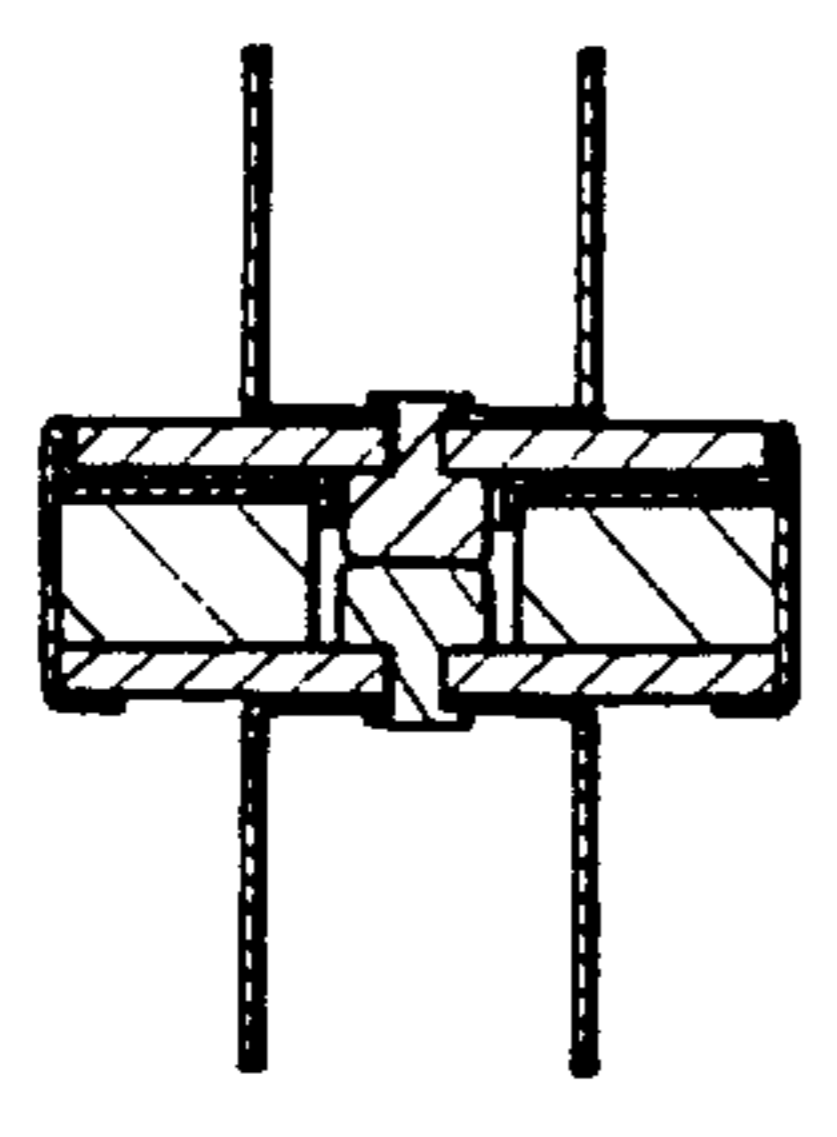


FIG. 57

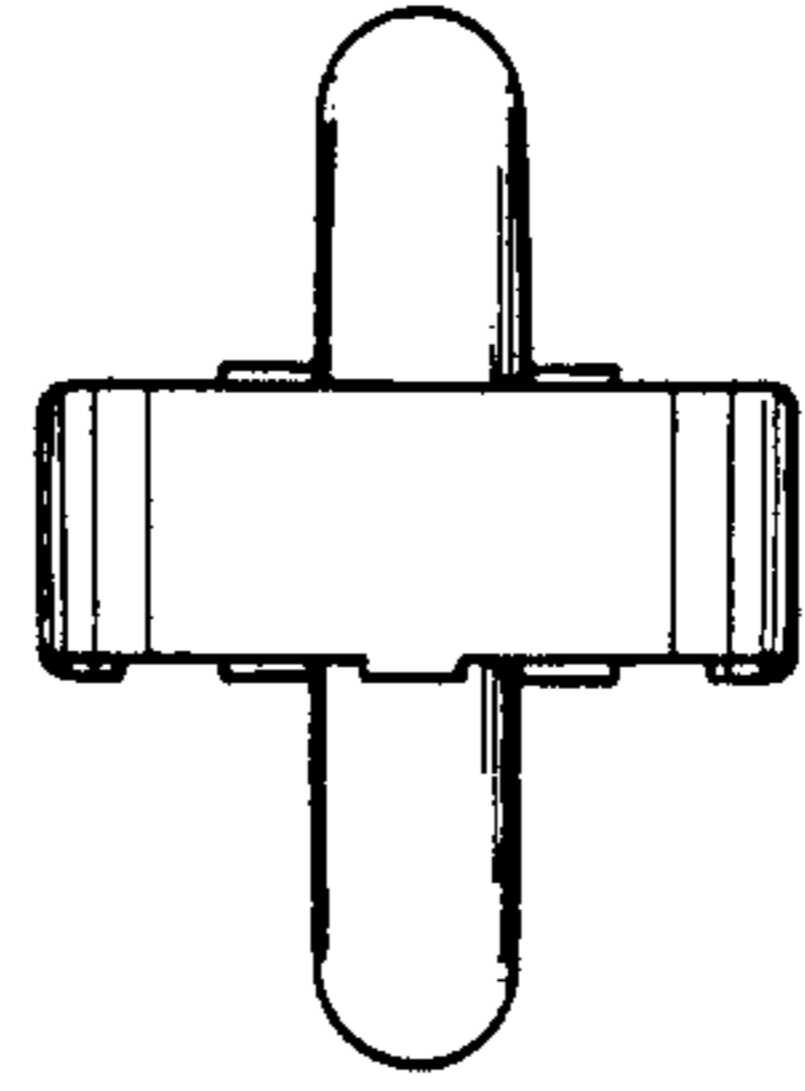


FIG. 58

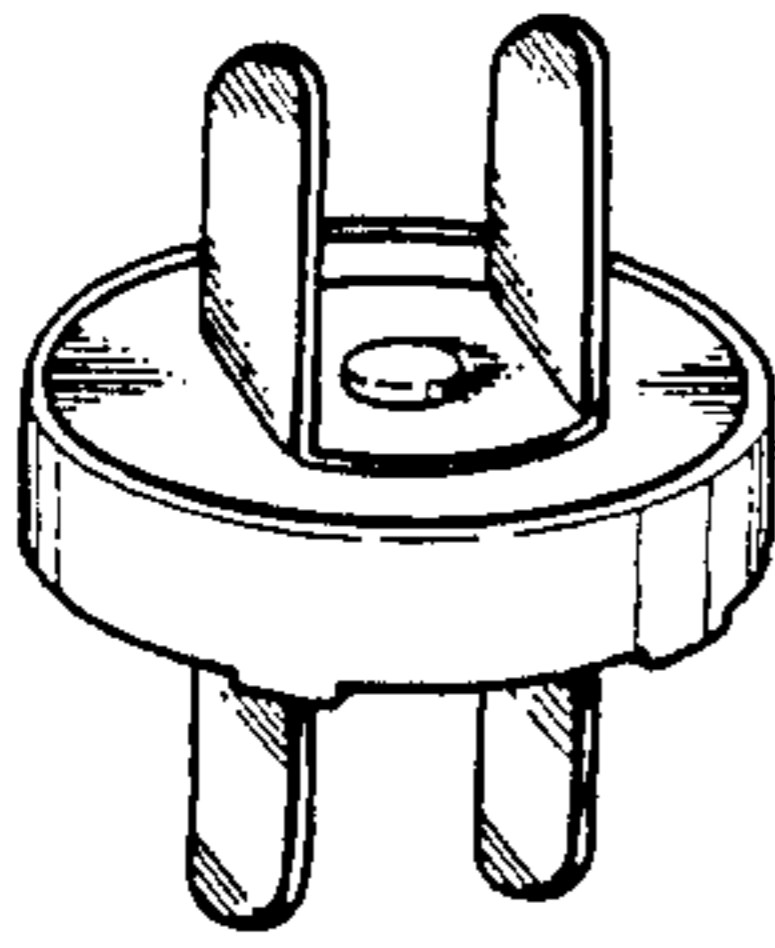


FIG. 59

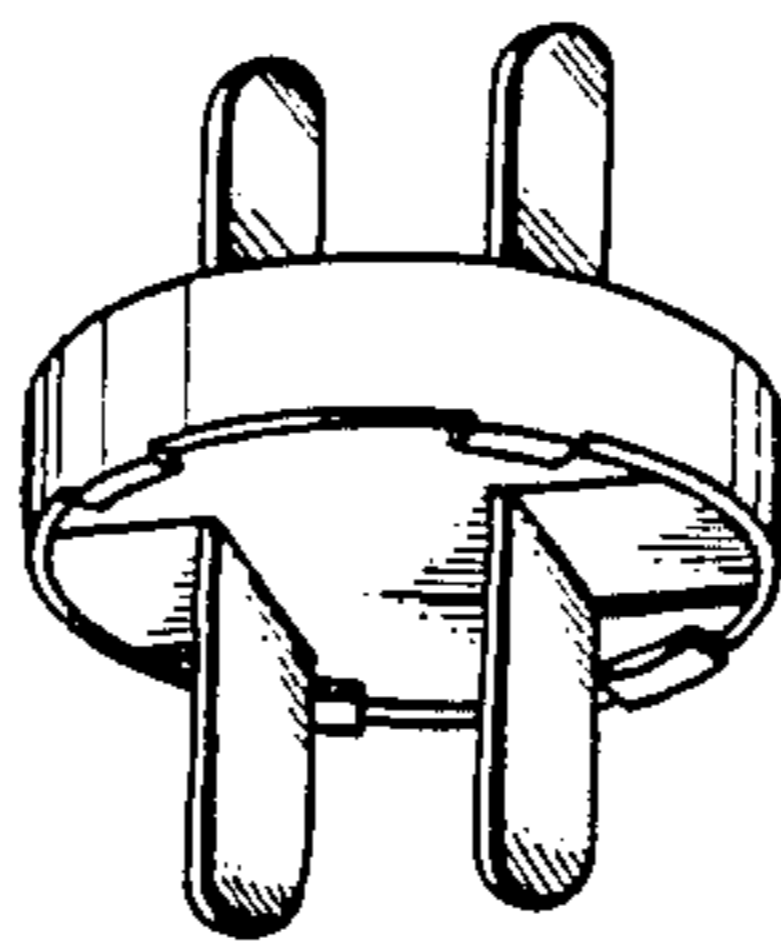


FIG. 60

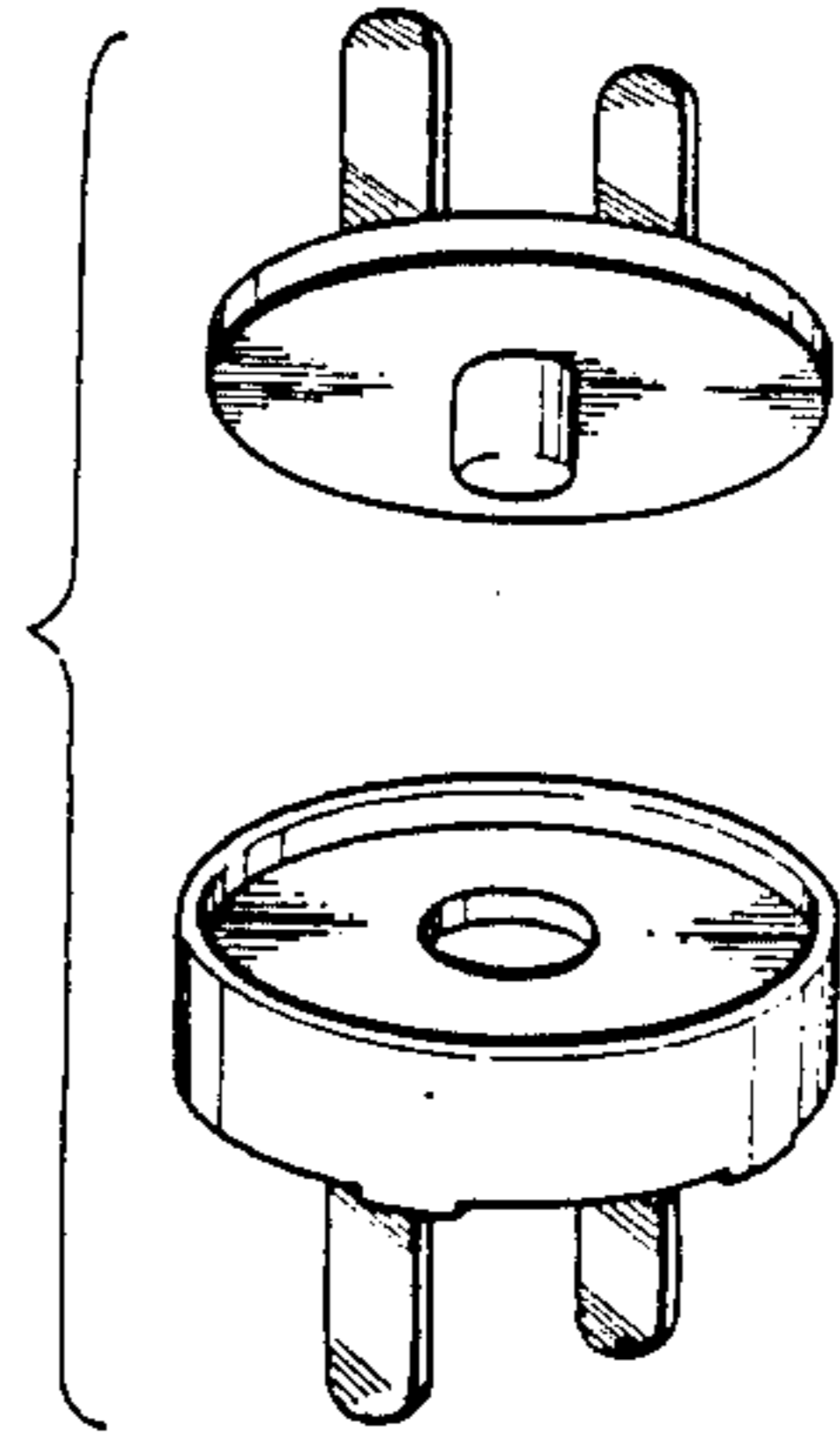


FIG. 61

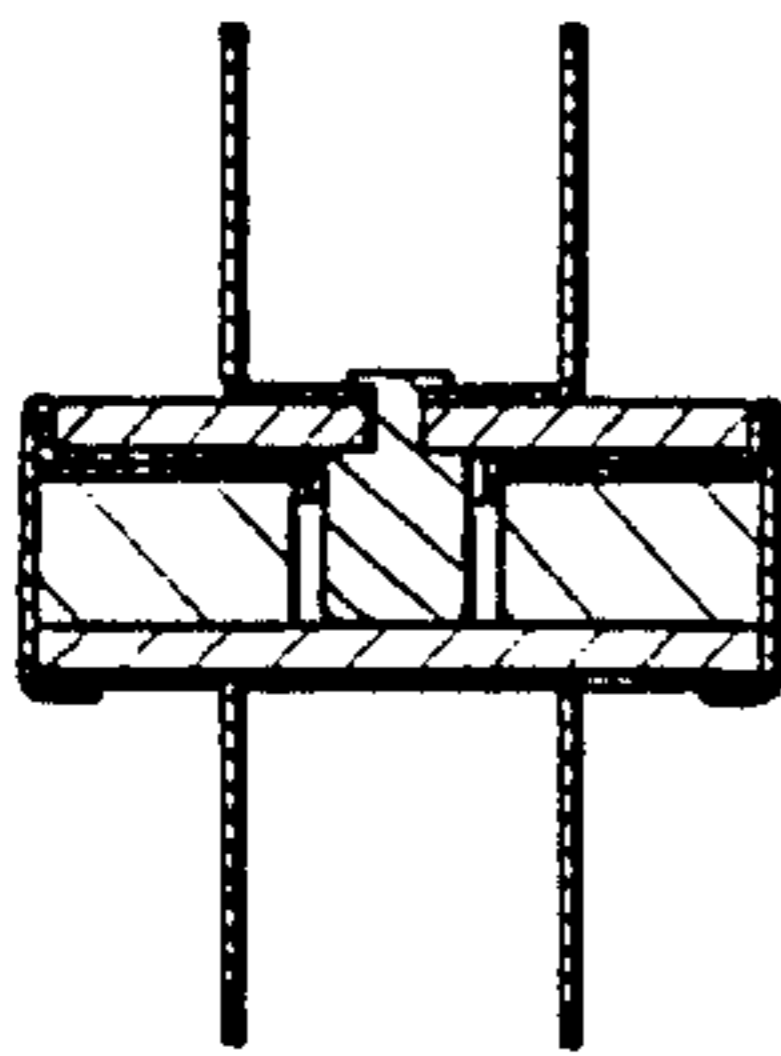


FIG. 62

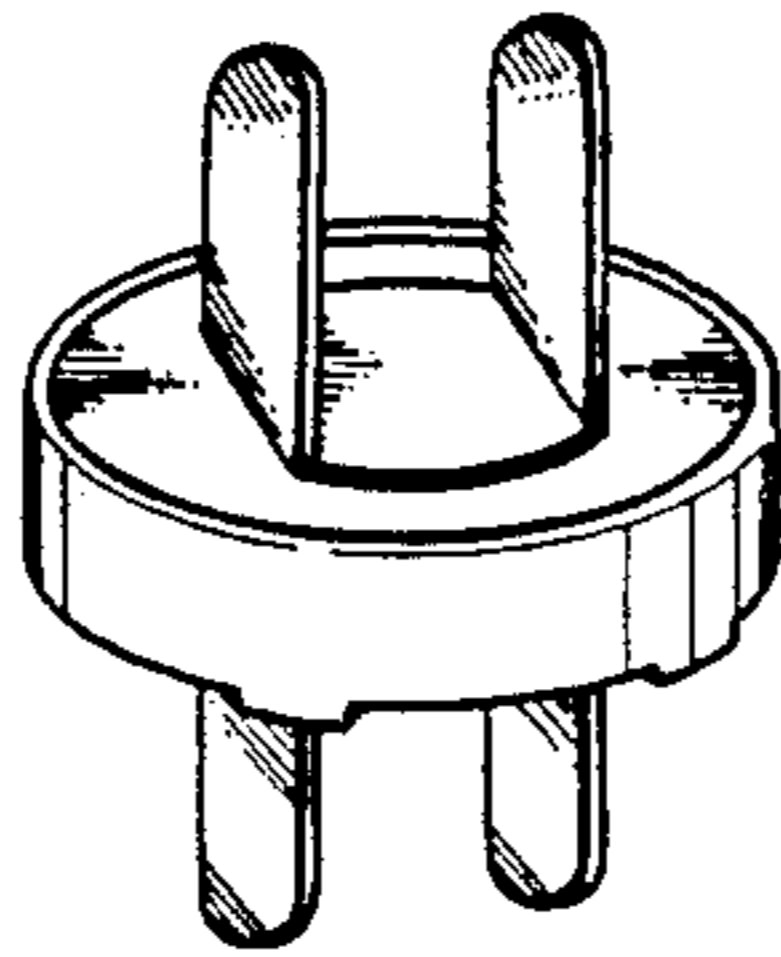


FIG. 63

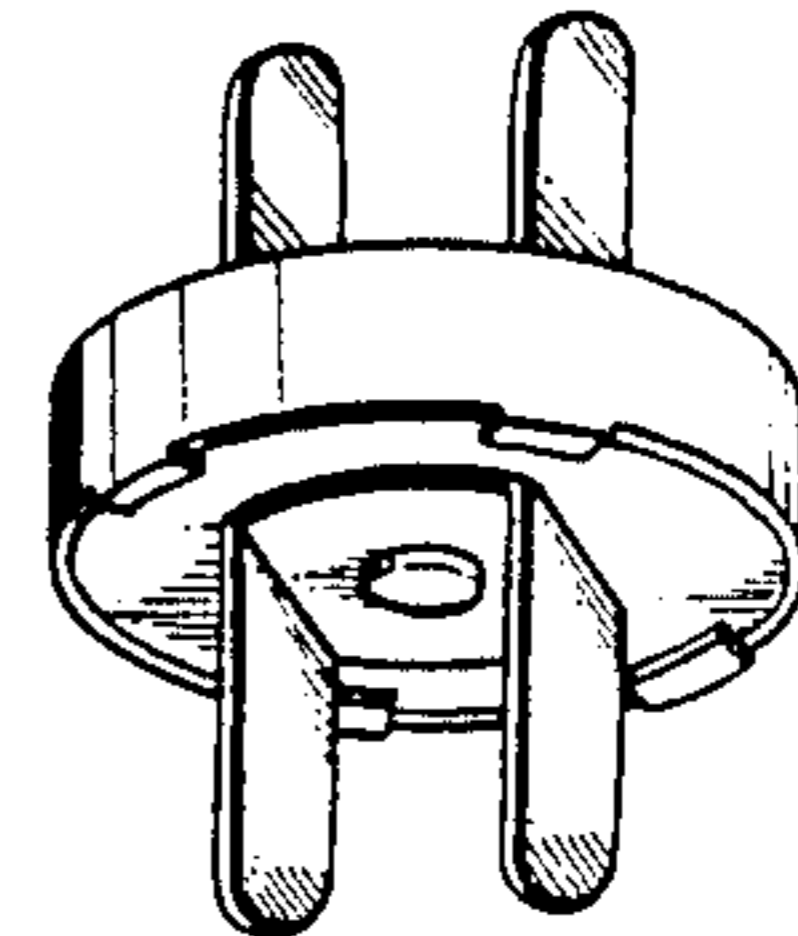


FIG. 64

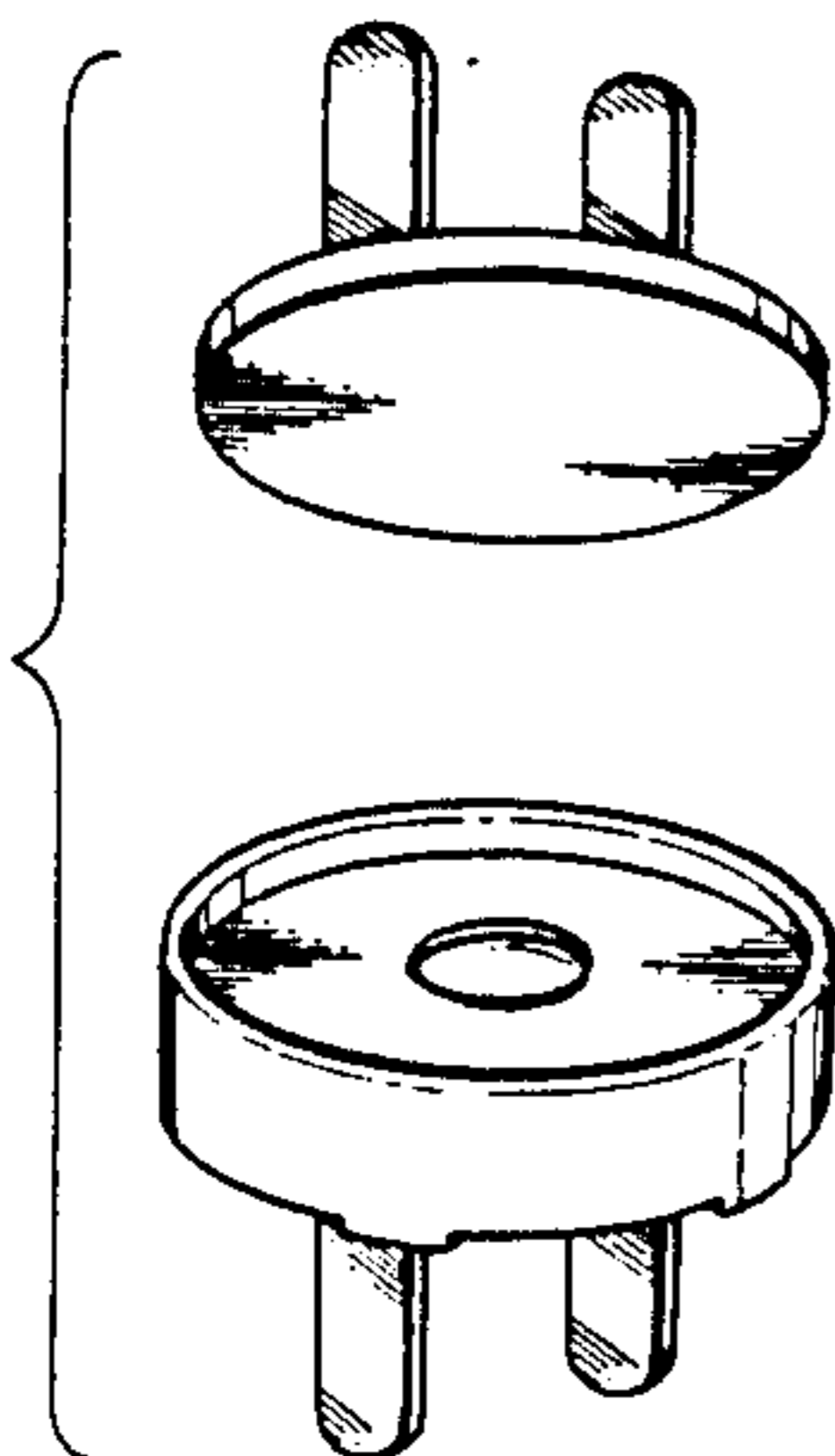


FIG. 65

