

[54] AUTOMOBILE ALARM DEVICE
[75] Inventor: Willard L. Zeigner, San Ramon, Calif.
[73] Assignee: Zemco, Inc., San Ramon, Calif.
[**] Term: 14 Years
[21] Appl. No.: 820,139
[22] Filed: Jan. 21, 1986
[52] U.S. Cl. D10/106; D10/116
[58] Field of Search D10/104, 106, 116, 121;
340/63, 64, 65, 693

3,513,466 5/1970 Isaacs 340/64
3,566,350 2/1971 Kahn 340/65
4,211,995 7/1980 Smith 340/63
4,322,714 3/1982 Morgan 340/65

Primary Examiner—Catherine E. Kemper
Attorney, Agent, or Firm—Owen, Wickersham and Erickson

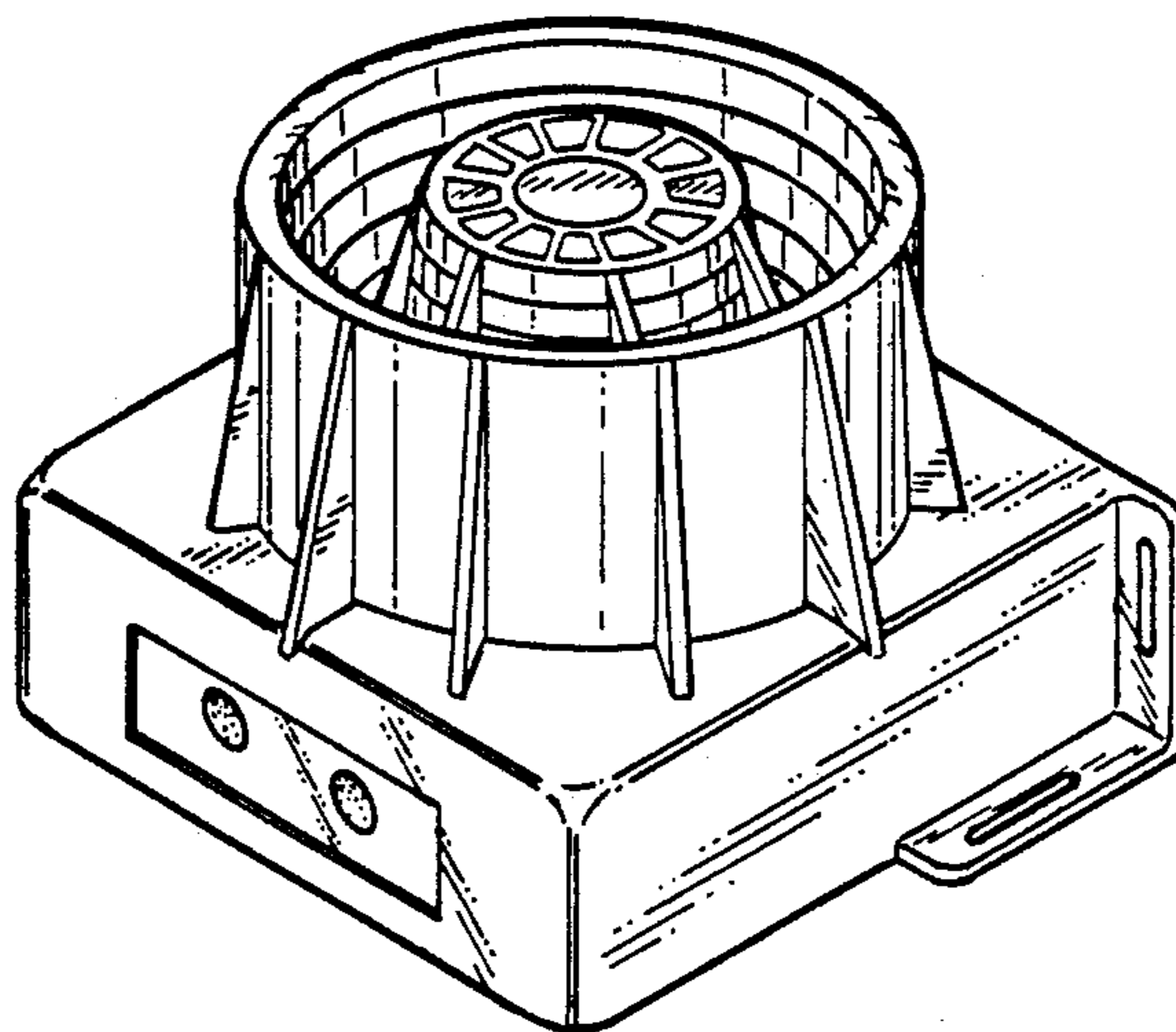
[56] References Cited
U.S. PATENT DOCUMENTS

D. 236,817 9/1975 Sweany D10/106
D. 248,151 6/1978 Duris D10/116
D. 254,728 4/1980 Mitumori D10/116
D. 254,729 4/1980 Mitumori D10/116
D. 261,998 11/1981 Munz D10/106

[57] CLAIM
The ornamental design for automobile alarm device, substantially as shown and described.

DESCRIPTION

FIG. 1 is a front and top-left perspective view of an automobile alarm device showing my new design; FIG. 2 is a top plan view thereof; FIG. 3 is a left side elevational view, the right side being a mirror image thereof; FIG. 4 is a front end view thereof; FIG. 5 is a rear end view thereof; and FIG. 6 is a bottom plan view thereof.



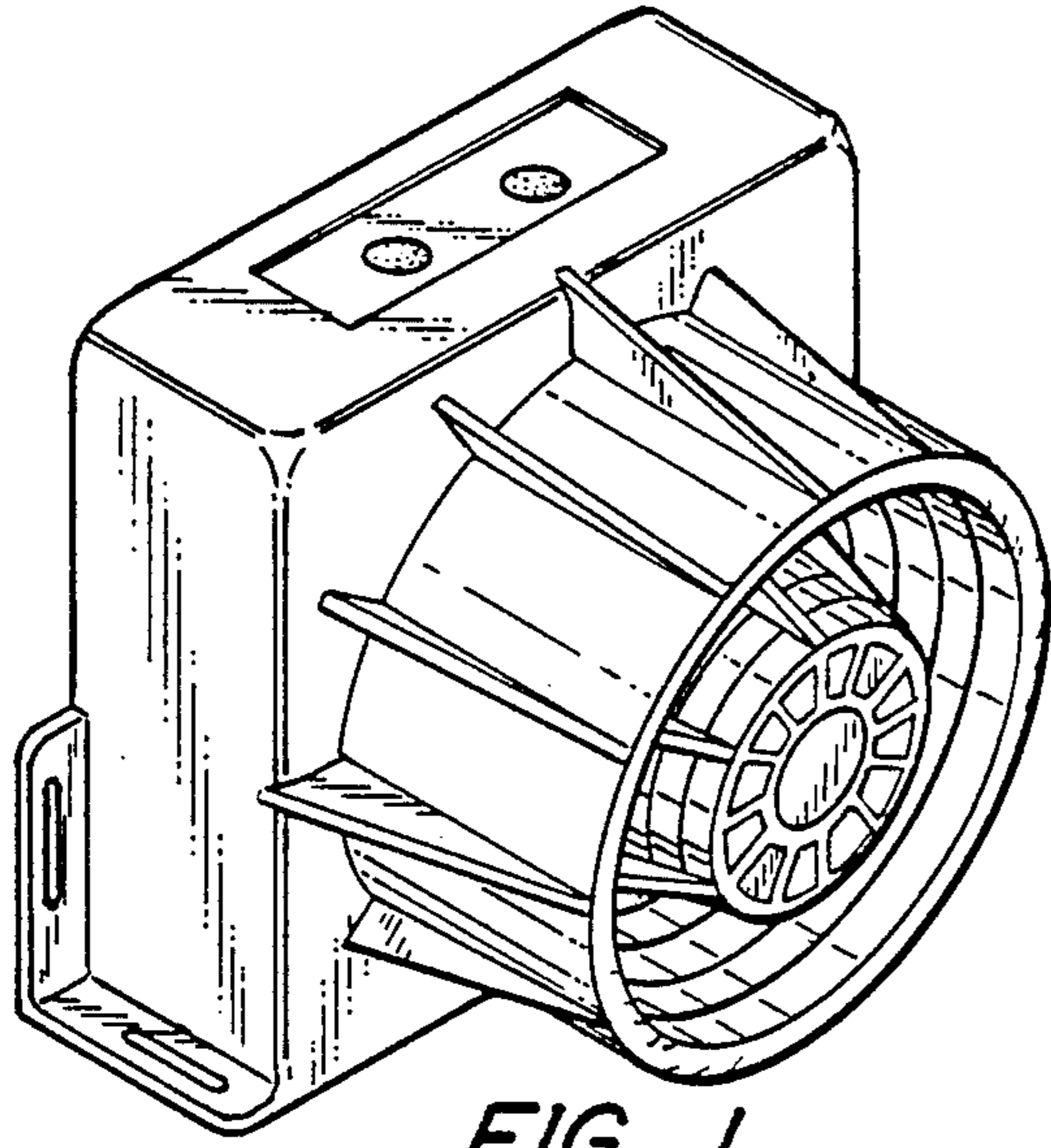


FIG. 1.

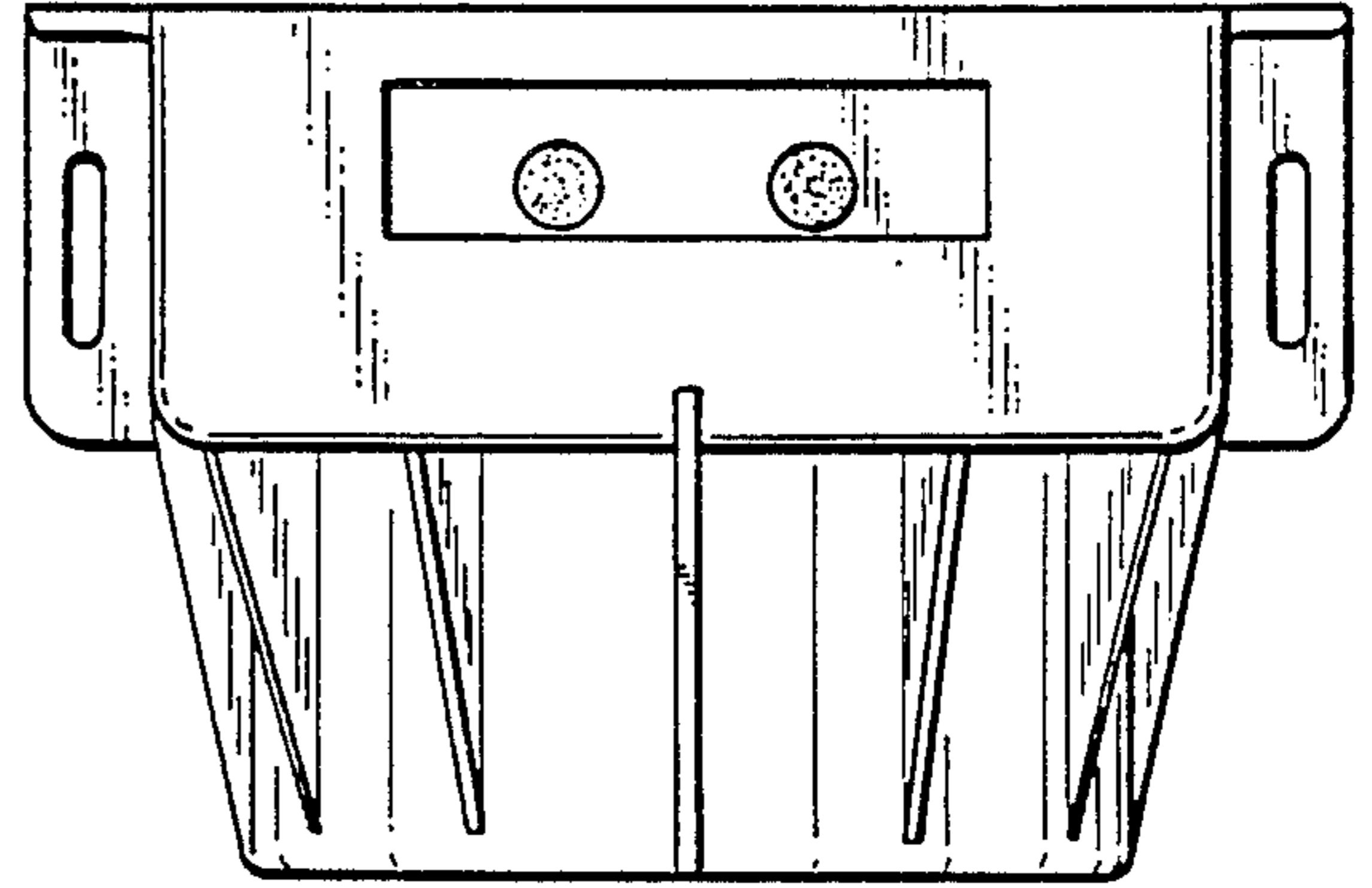


FIG. 2.

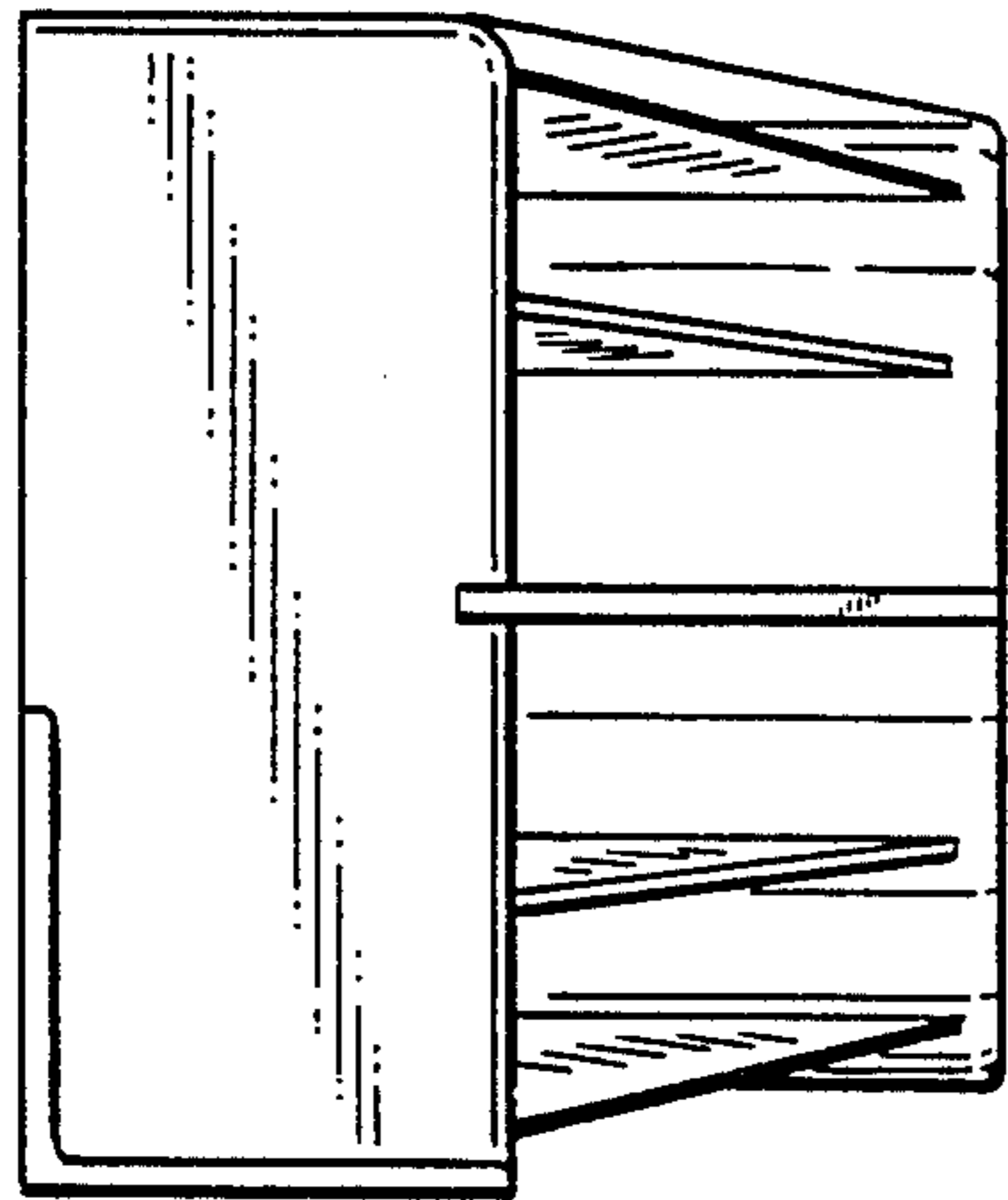


FIG. 3.

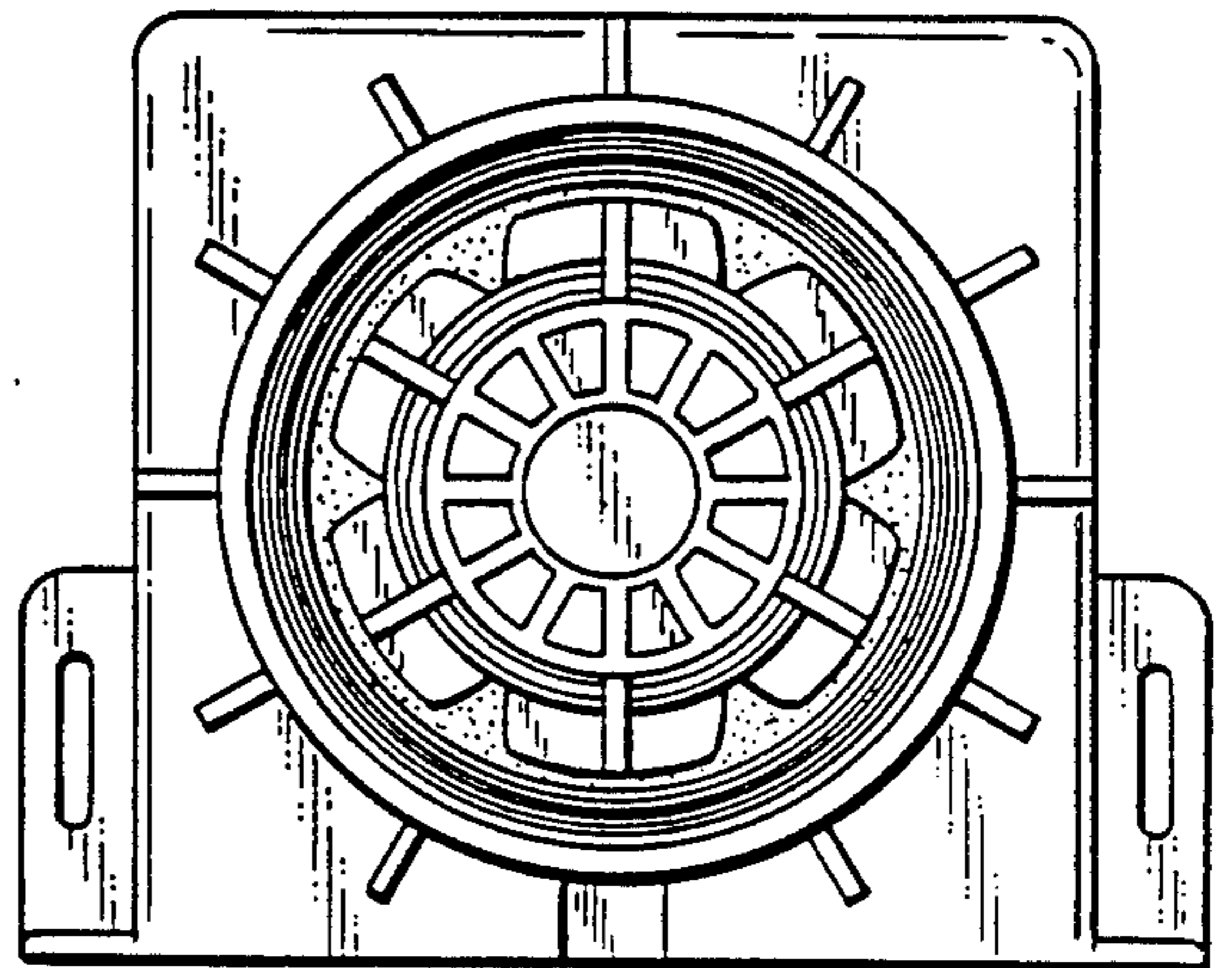


FIG. 4.

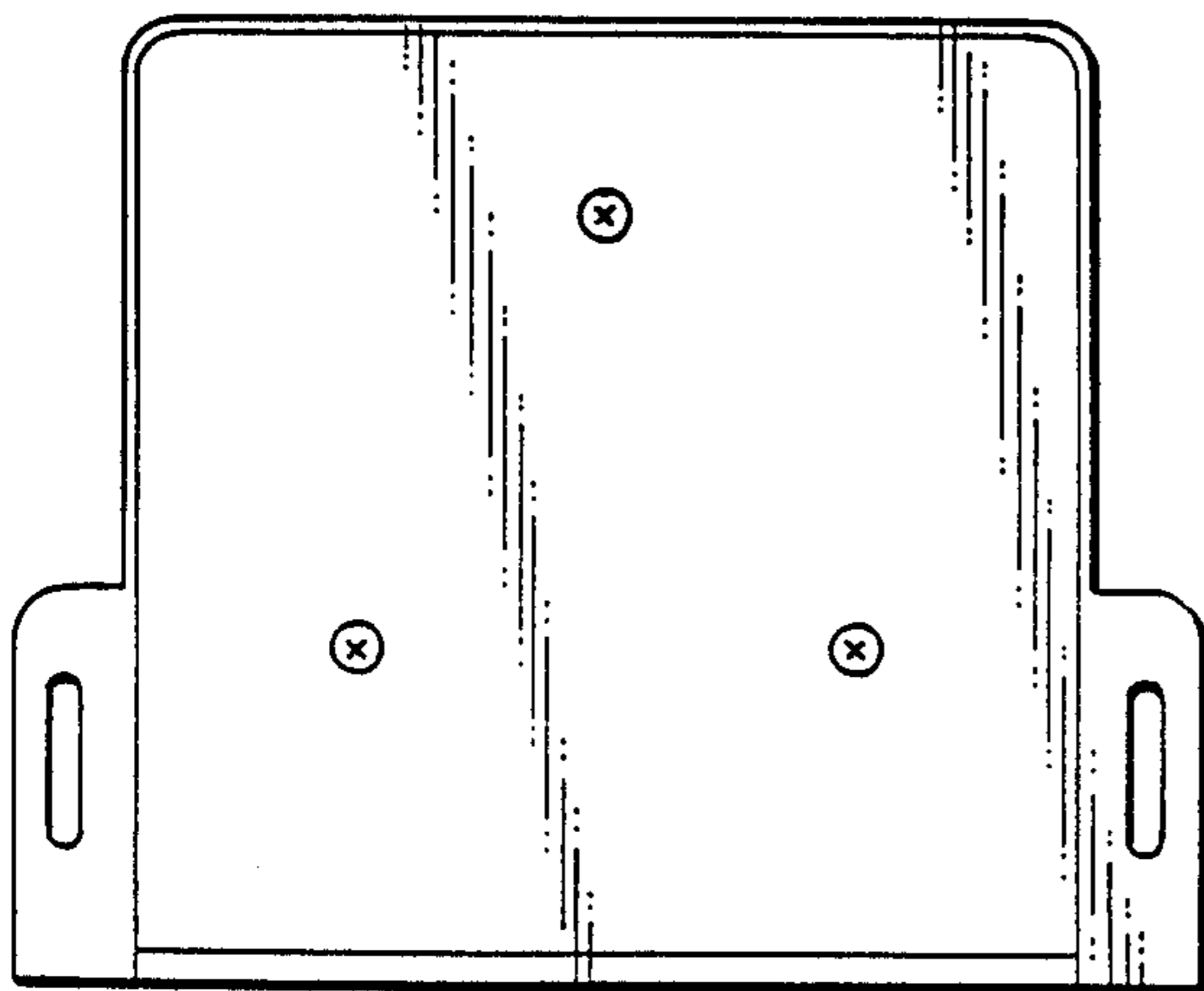


FIG. 5.

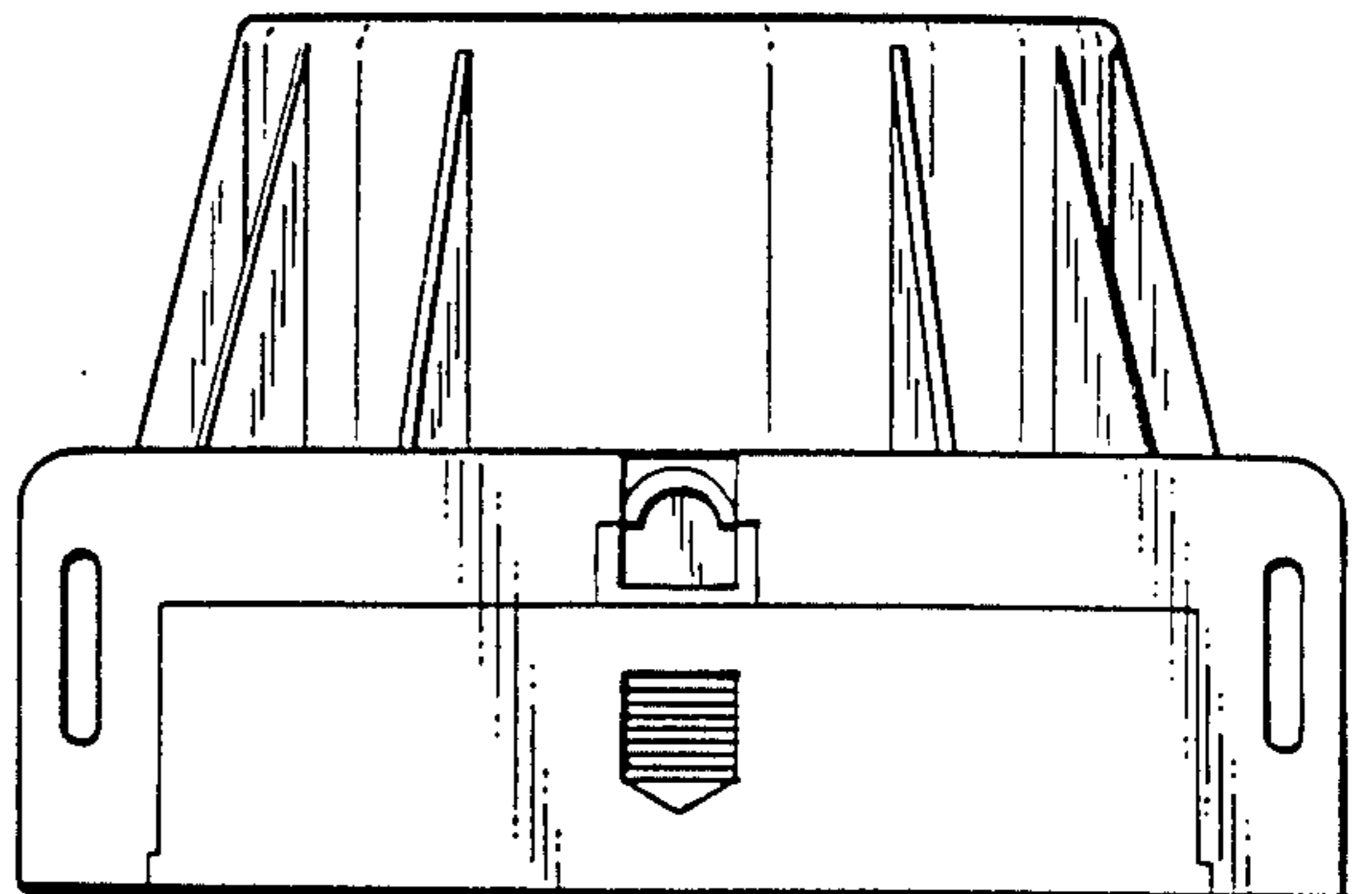


FIG. 6.