

United States Patent [19]

Vilkofsky, Jr.

[11] Patent Number: Des. 294,799

[45] Date of Patent: ** Mar. 22, 1988

[54] HANGER FOR PLASTIC BAG

[76] Inventor: John L. Vilkofsky, Jr., 2001 Dels La.,
Turlock, Calif. 95380

[**] Term: 14 Years

[21] Appl. No.: 7,412

[22] Filed: Jan. 27, 1987

[52] U.S. Cl. D8/368; D8/373;
D8/380

[58] Field of Search D8/363, 349, 380, 381,
D8/373, 354; 248/99, 100, 95

[56] References Cited

U.S. PATENT DOCUMENTS

203,891	5/1878	Conway	248/100 X
D. 244,668	6/1977	Tegner	D8/363
D. 276,862	12/1984	Lipton	D8/380 X
321,286	6/1885	Earl	248/99 X
447,686	3/1891	Holladay	248/100

461,291	10/1891	Timmenman	248/100
2,100,235	11/1937	Brown	248/100 X
2,213,937	9/1940	Tompkins et al.	248/100
3,773,286	11/1973	Govoni et al.	248/99 X
4,467,989	8/1984	Stroh	248/99 X
4,620,683	11/1986	Claydom et al.	248/99 X

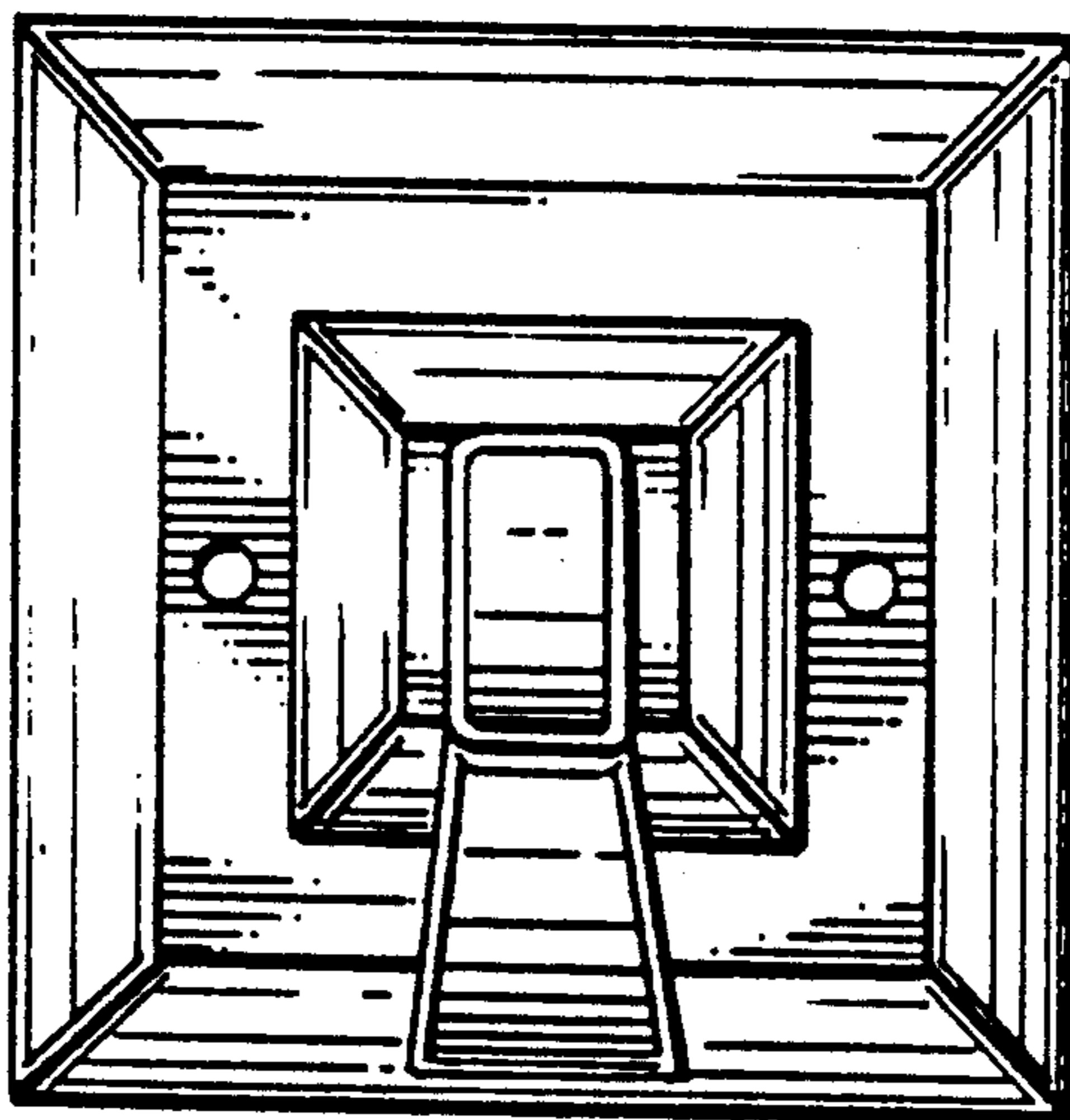
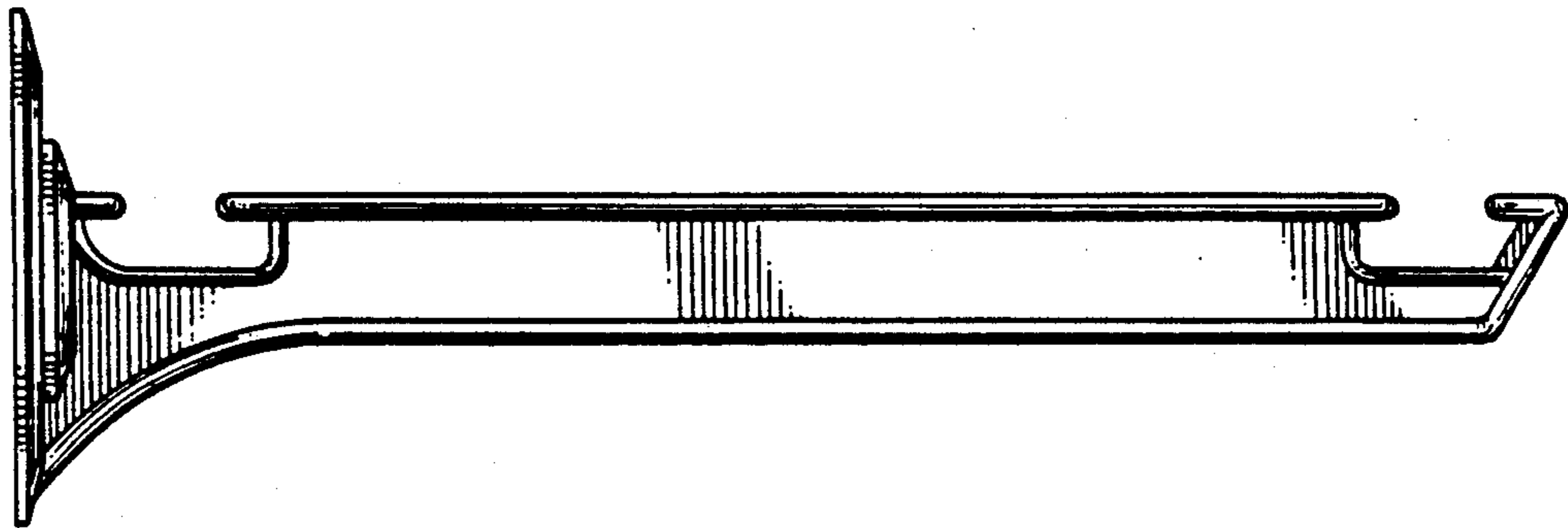
Primary Examiner—Wallace R. Burke
Assistant Examiner—Horace B. Fay, Jr.
Attorney, Agent, or Firm—Basil B. Travis

[57] CLAIM

The ornamental design for a hanger for plastic bag, as shown and described.

DESCRIPTION

FIG. 1 is a side elevational view of a hanger for a plastic bag showing my new design;
FIG. 2 is a top view thereof;
FIG. 3 is a bottom view thereof;
FIG. 4 is a rear elevational view thereof;
FIG. 5 is a front elevational view thereof.



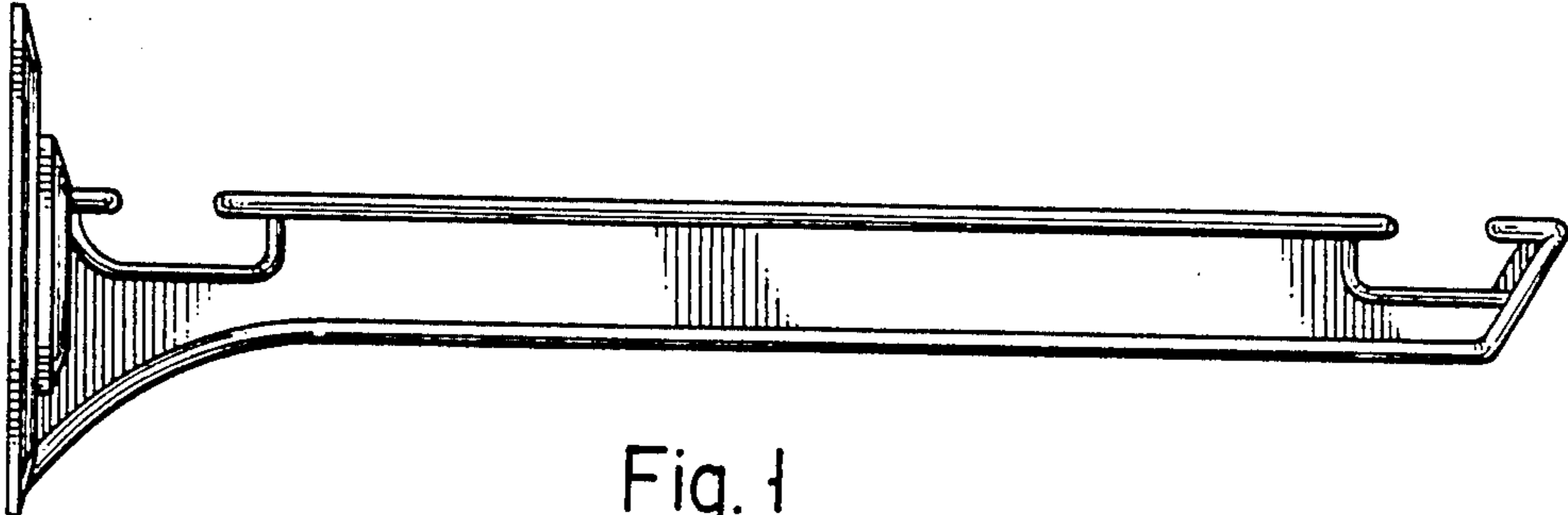


Fig. 1

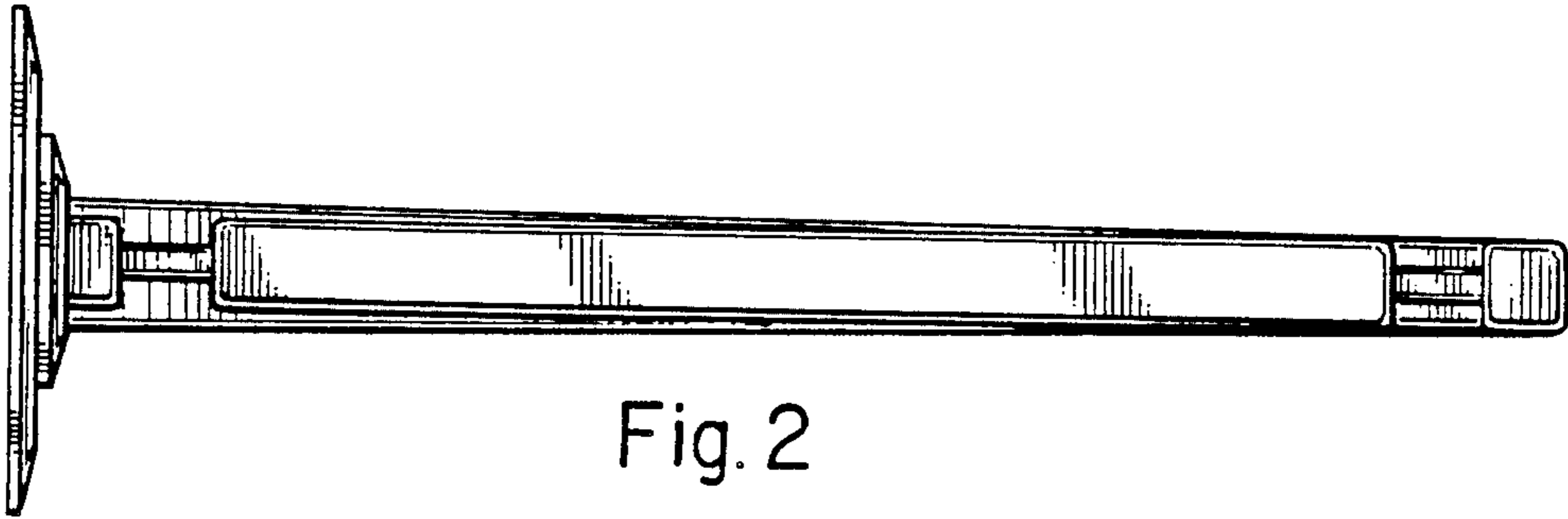


Fig. 2

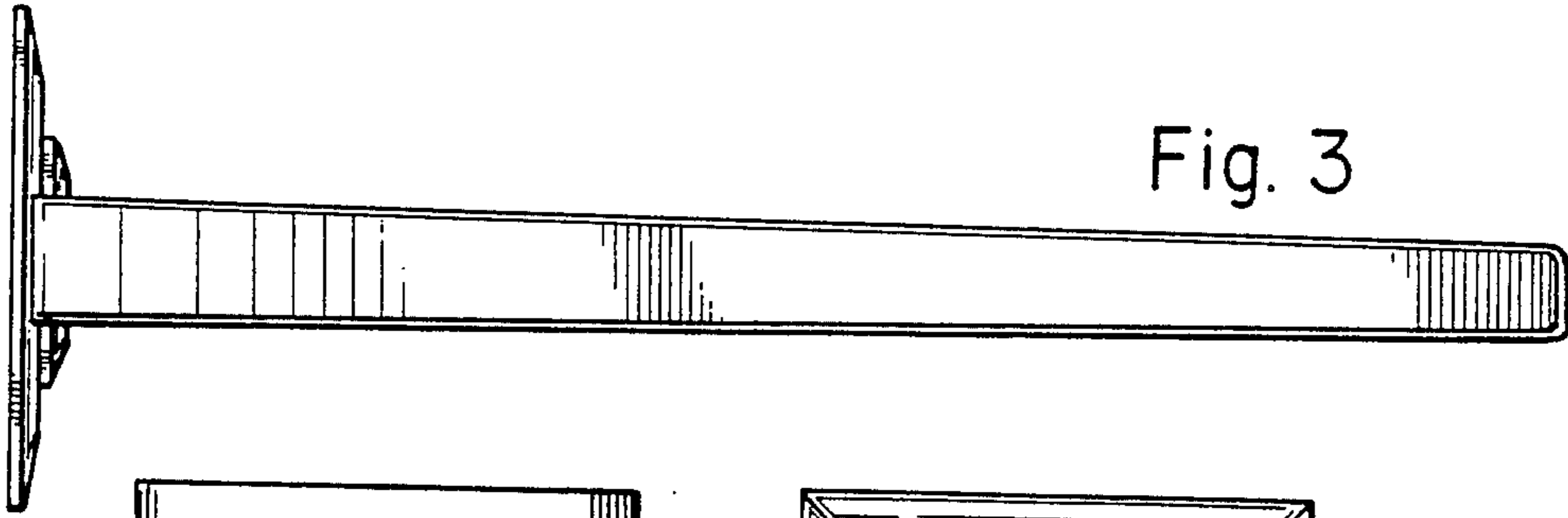


Fig. 3

Fig. 4

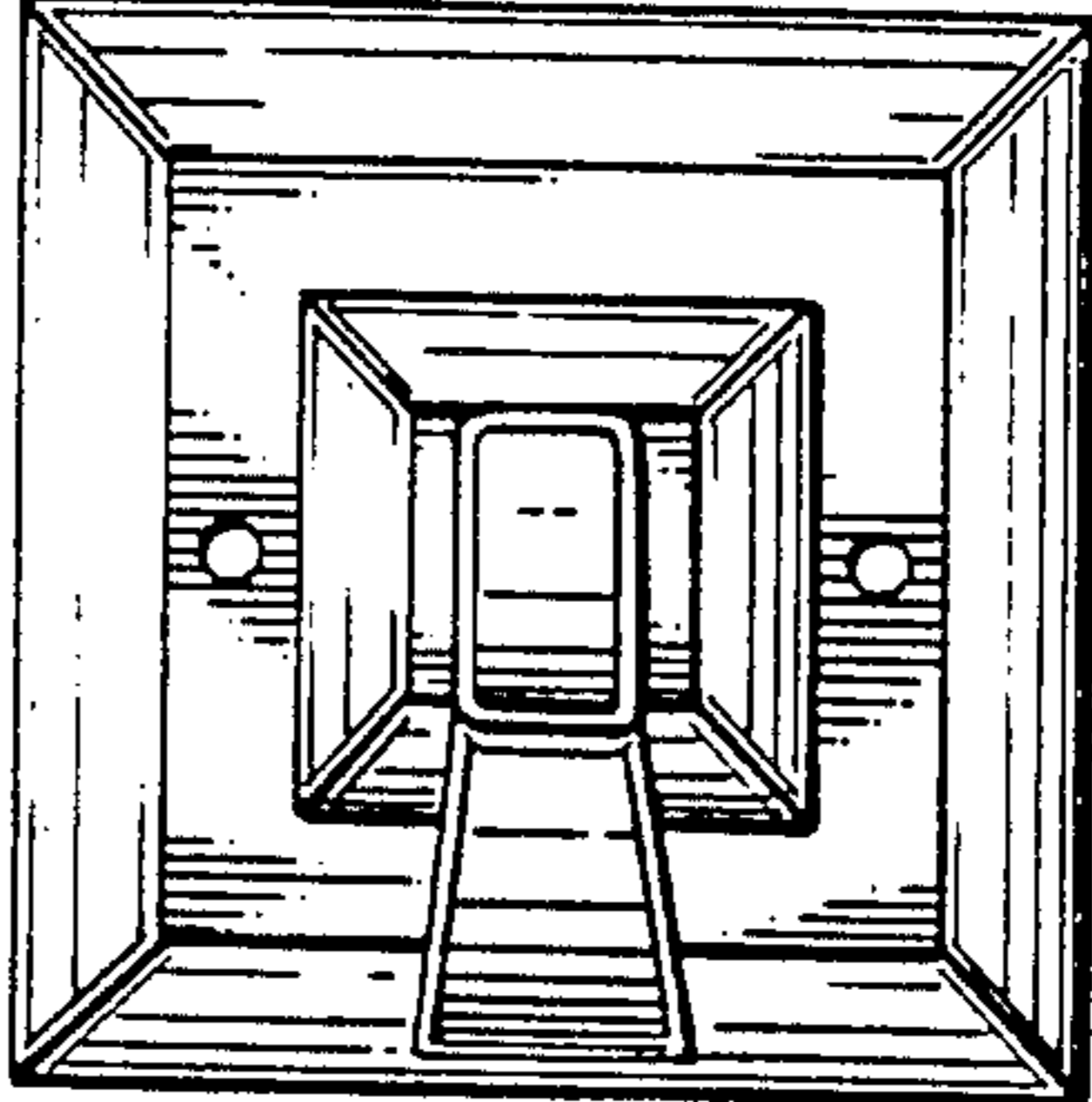
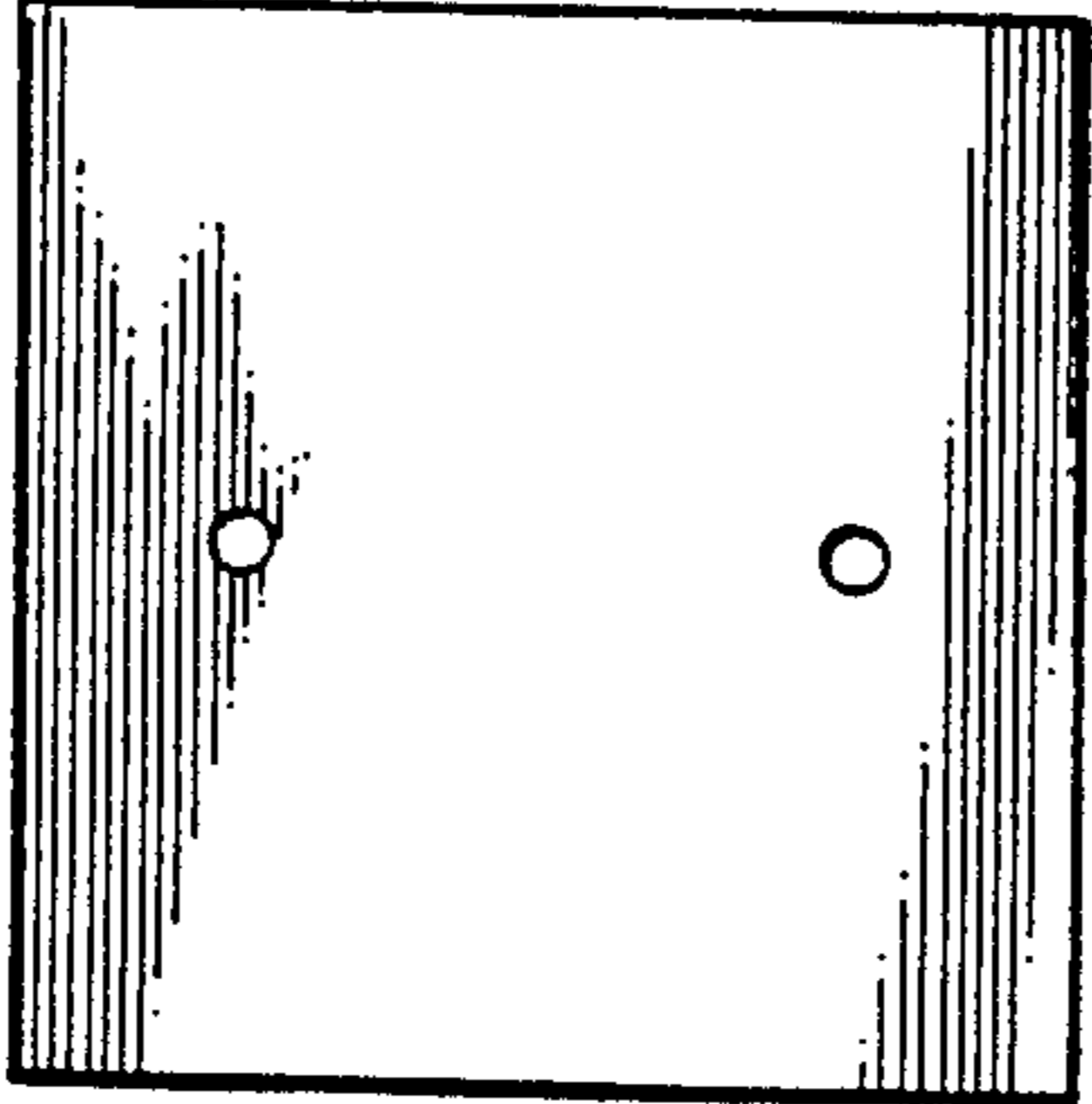


Fig. 5