

- [54] WEATHERPROOF ELECTRICAL RECEPTACLE COVER
- [75] Inventor: George Hoehne, Glen Cove, N.Y.
- [73] Assignee: Slater Electric, Inc., Glen Cove, N.Y.
- [**] Term: 14 Years
- [21] Appl. No.: 42,591
- [22] Filed: Apr. 15, 1987

Related U.S. Application Data

- [63] Continuation of Ser. No. 614,766, May 29, 1984, abandoned.
- [52] U.S. Cl. D8/353; D13/31
- [58] Field of Search D13/24, 25, 27-31; 339/40, 44 R, 44 M; 220/3.8, 241, 242; D8/350, 353

References Cited

U.S. PATENT DOCUMENTS

- D. 208,917 10/1967 Mellyn D8/350
- D. 253,225 10/1979 Petralia et al. D13/31 X
- D. 275,173 8/1984 Mastro et al. D13/31 X
- 3,686,425 8/1972 Zerwes et al. 174/67 X
- 4,058,358 11/1977 Carlisle 339/44 M

4,381,063 4/1983 Leong 339/44 M

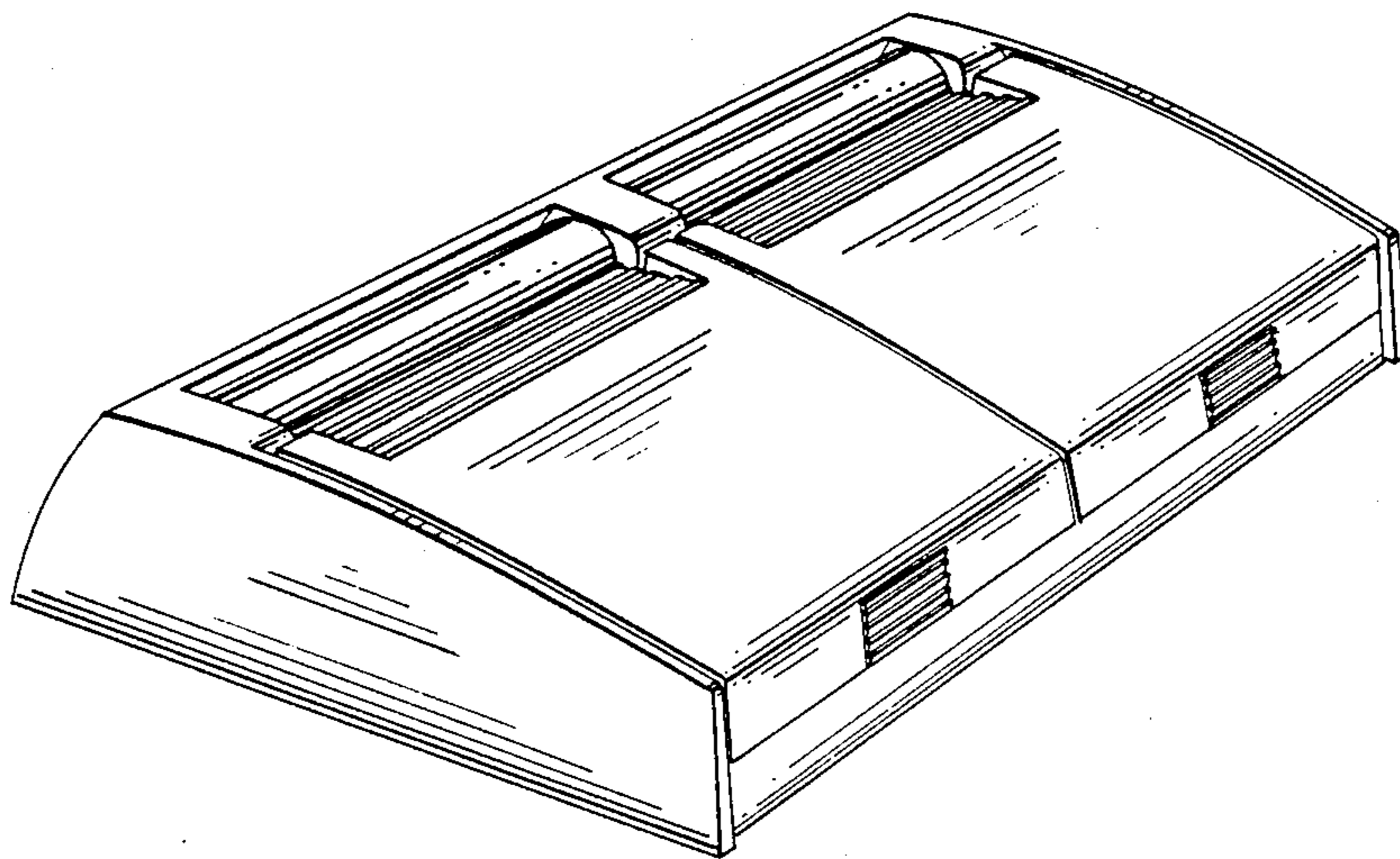
Primary Examiner—Susan J. Lucas
Attorney, Agent, or Firm—Morgan & Finnegan

[57] CLAIM

The ornamental design for a weatherproof electrical receptacle cover, as shown and described.

DESCRIPTION

FIG. 1 is a top, front perspective view of the weatherproof electrical receptacle cover showing my new design;
FIG. 2 is a top plan view thereof;
FIG. 3 is a side elevational view thereof, the opposite side being a mirror image;
FIG. 4 is a front elevational view thereof;
FIG. 5 is a rear elevational view thereof;
FIG. 6 is a bottom plan view thereof;
FIG. 7 is a perspective view thereof with one of the lids in the open position, it being understood that the interior elements disclosed by the second lid in the open position would be identical to those shown;
FIG. 8 is a front elevational view thereof with one of the lids in the open position.
The broken lines are shown in FIGS. 6, 7 and 8 for illustrative purposes only.



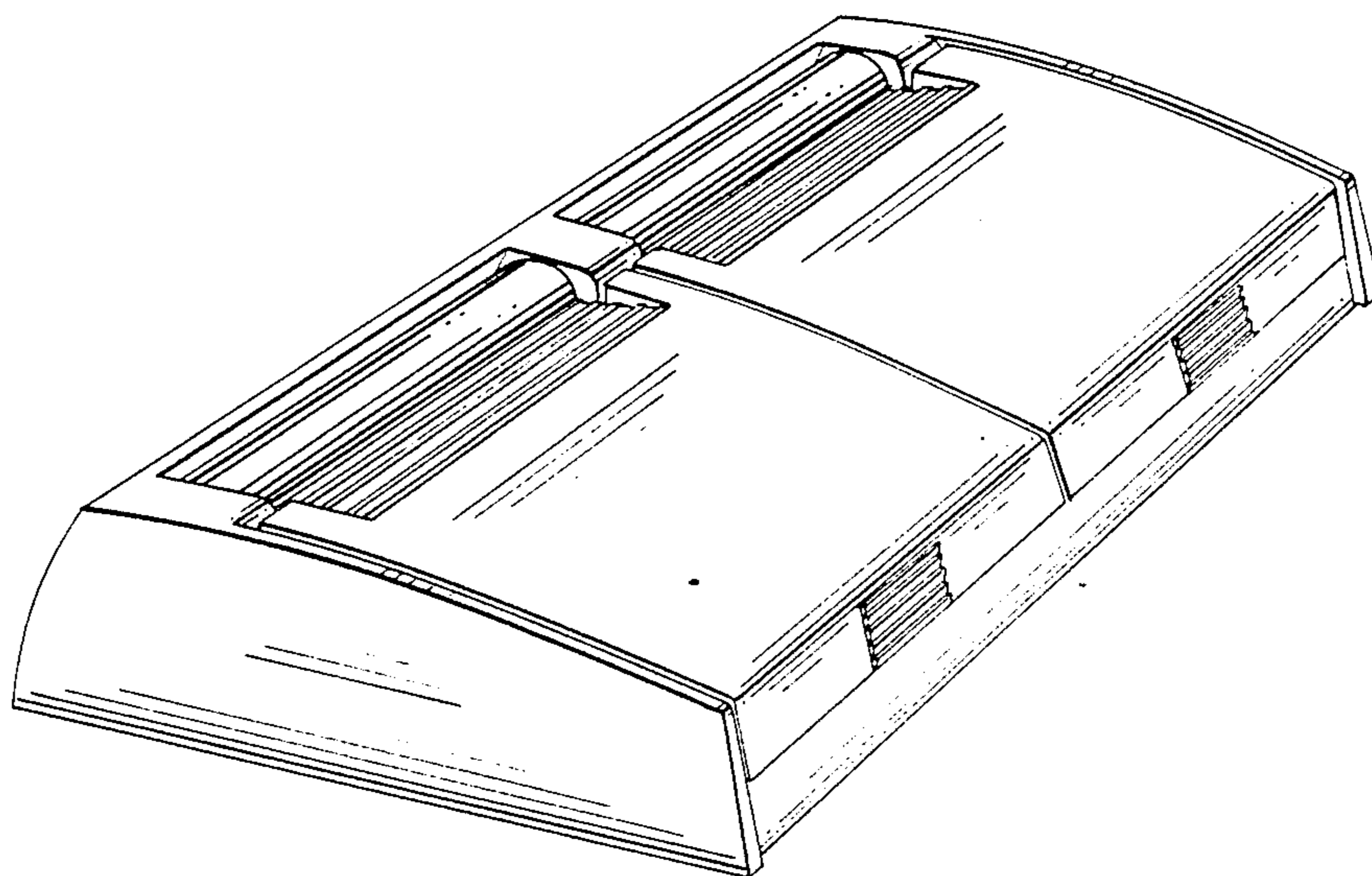


FIG. 1

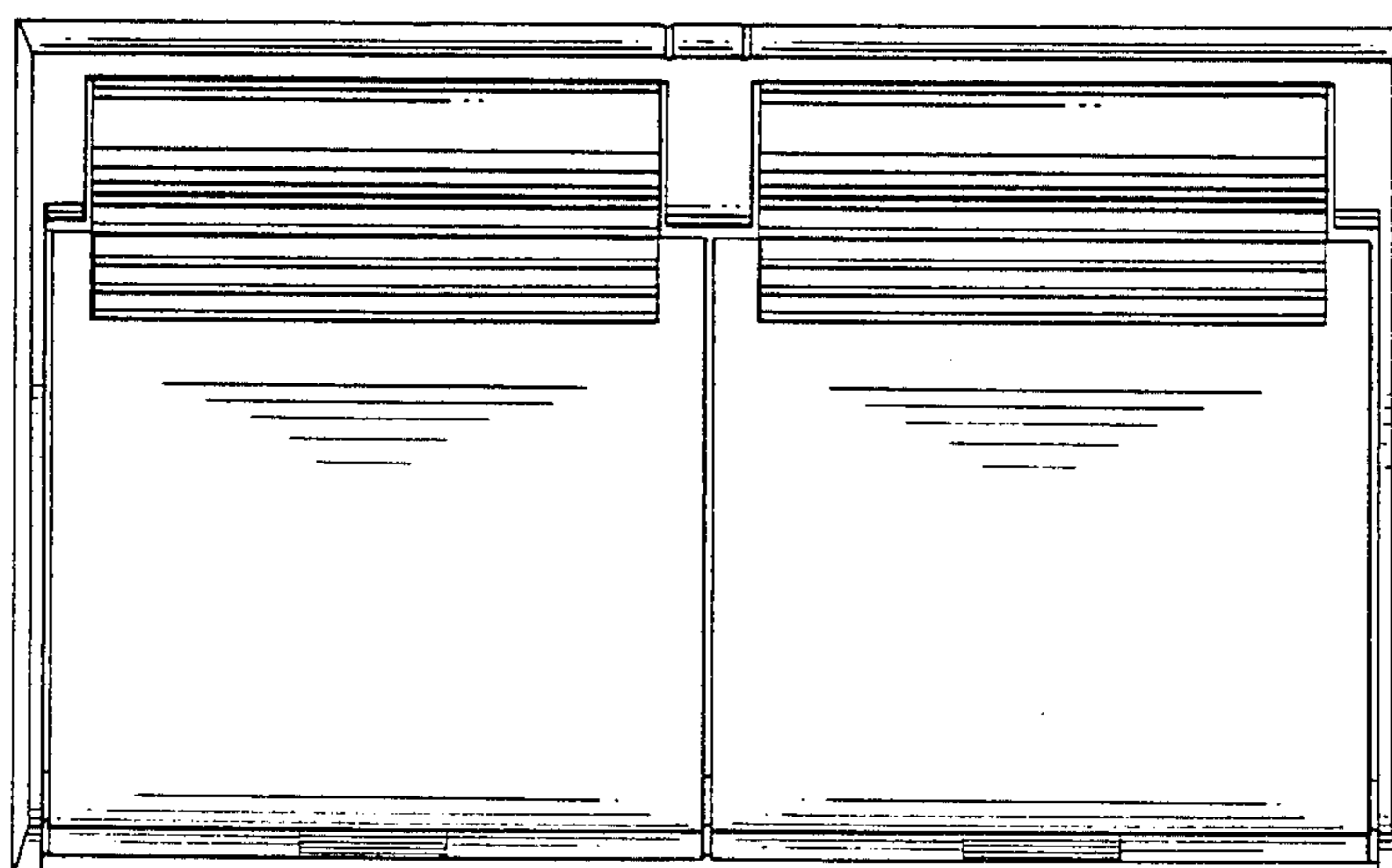


FIG. 2

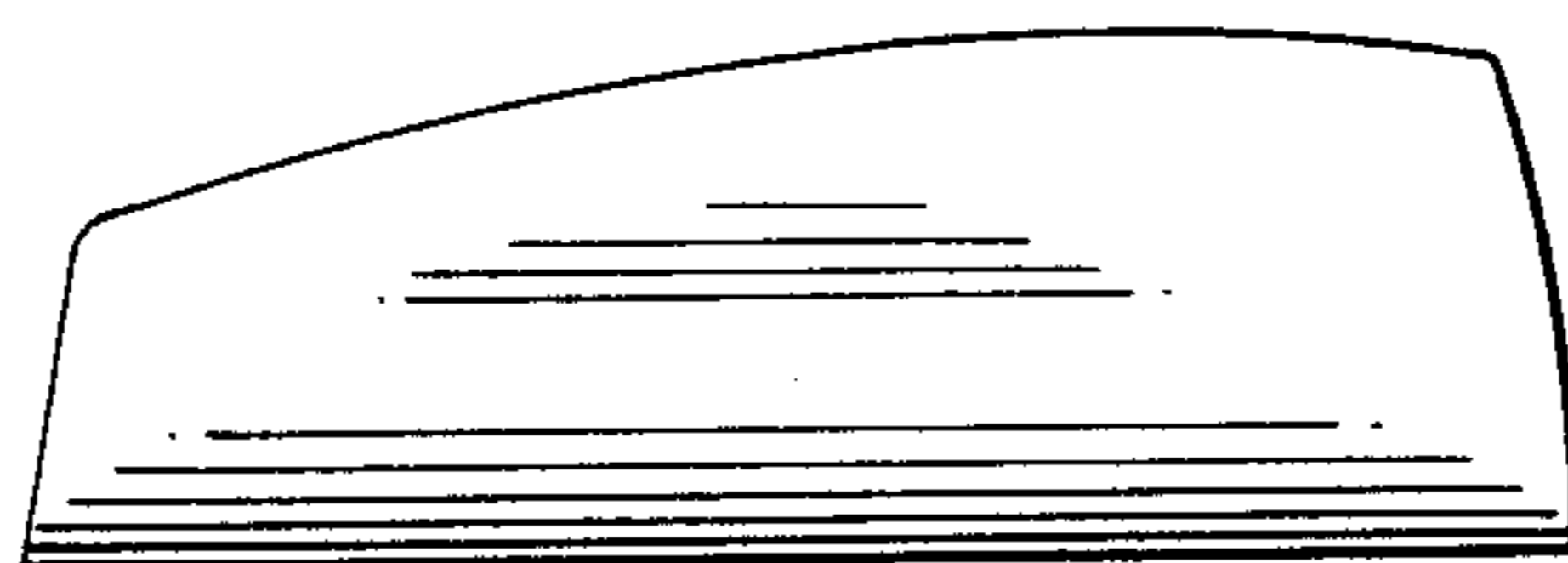


FIG. 3

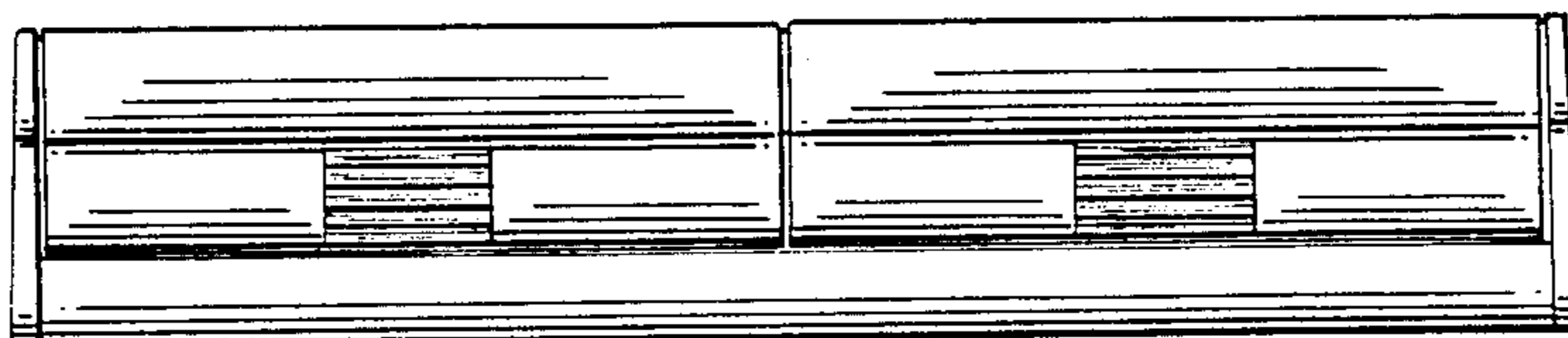


FIG. 4

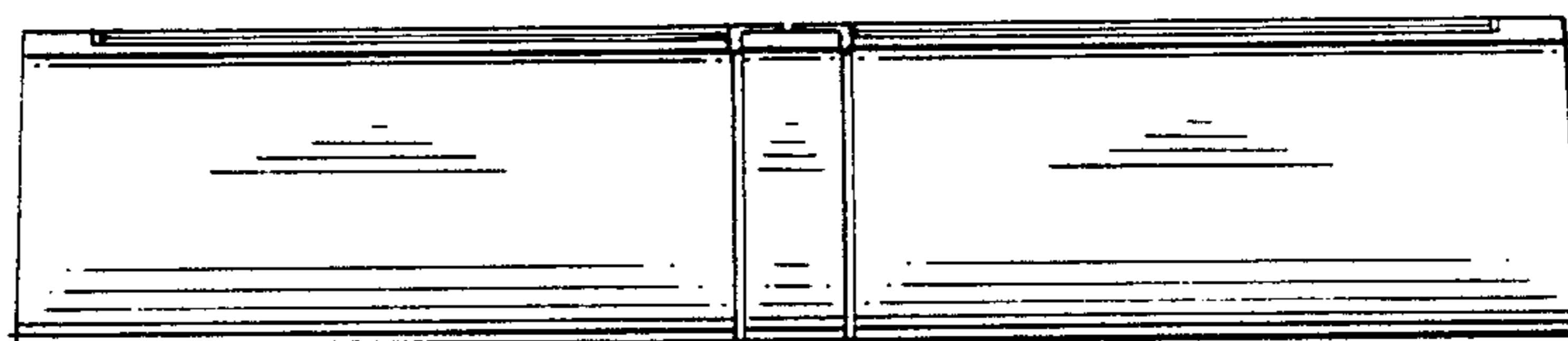


FIG. 5

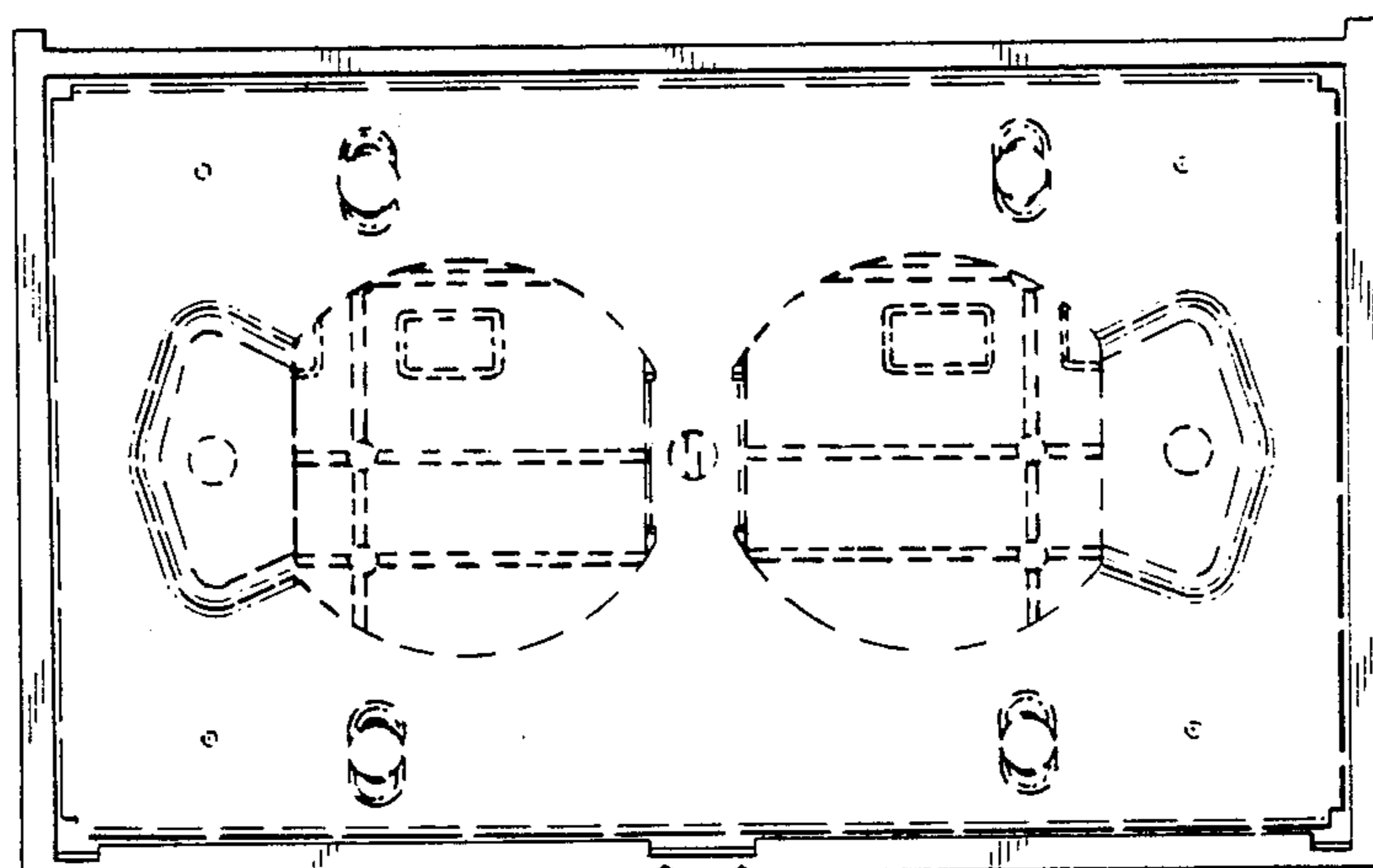


FIG. 6

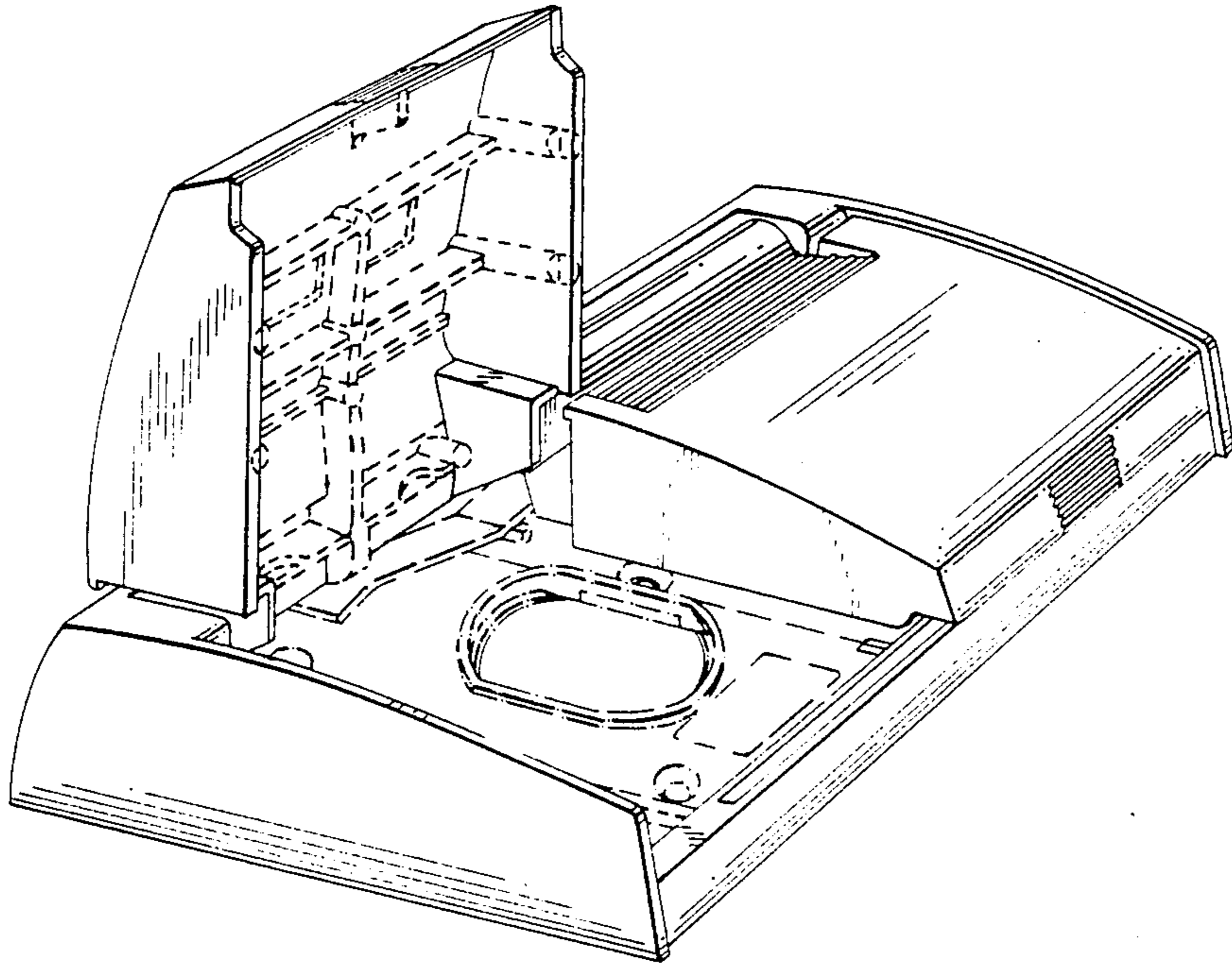


FIG. 7

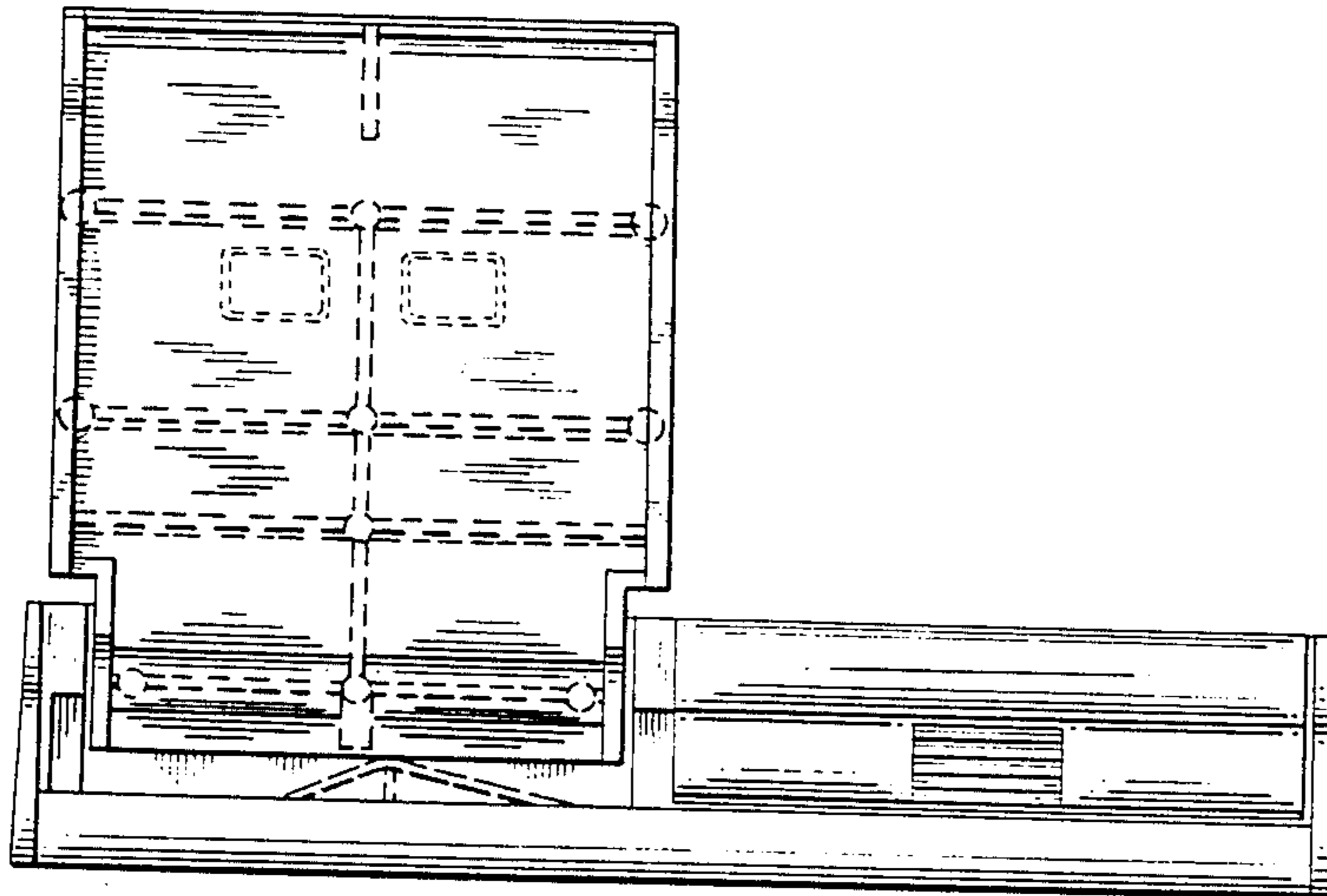


FIG. 8