

[54] **PACKAGE WRAPPING CUTTER**

[75] **Inventor: Katsuaki Itoh, Kawasaki, Japan**

[73] **Assignee: Kabushiki Kaisha Kawasaki Seal Seisakusho, Kawasaki, Japan**

[\*\*] **Term: 14 Years**

[21] **Appl. No.: 715,812**

[22] **Filed: Mar. 25, 1985**

[52] **U.S. Cl. .... D8/98**

[58] **Field of Search ..... D8/98, 99, 102; 30/294, 30/314, 315, 316, 317, DIG. 3**

[56] **References Cited**

**U.S. PATENT DOCUMENTS**

D. 136,620	11/1943	Baldock	.....	D8/98
D. 244,987	7/1977	Lavitch	.....	D8/98
2,599,439	6/1952	Drake	.....	30/294
3,028,670	4/1962	Tilly	.....	D8/102

**FOREIGN PATENT DOCUMENTS**

644839 11/1984 Japan .  
225802 7/1943 Switzerland ..... 30/294

*Primary Examiner*—Susan J. Lucas  
*Assistant Examiner*—Clare E. Heflin  
*Attorney, Agent, or Firm*—Wenderoth, Lind & Ponack

[57] **CLAIM**

The ornamental design for a package wrapping cutter, as shown and described.

**DESCRIPTION**

FIG. 1 is a perspective view of the package wrapping cutter showing my new design;  
FIG. 2 is a front elevational view thereof;  
FIG. 3 is a rear elevational view thereof;  
FIG. 4 is a top plan view thereof;  
FIG. 5 is a left side elevational view thereof;  
FIG. 6 is a right side elevational view thereof; and  
FIG. 7 is an exposed perspective view thereof.

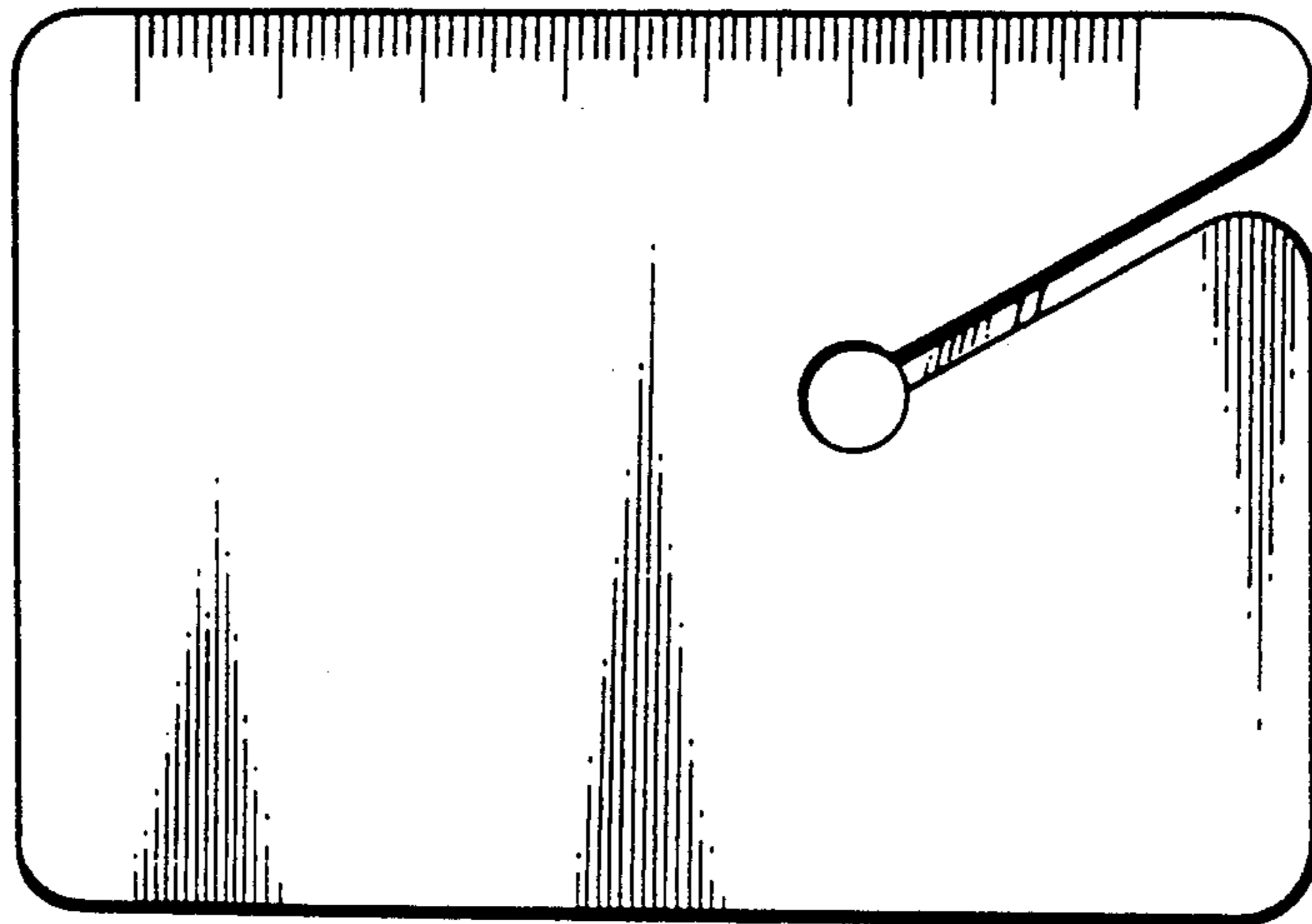


FIG. 1

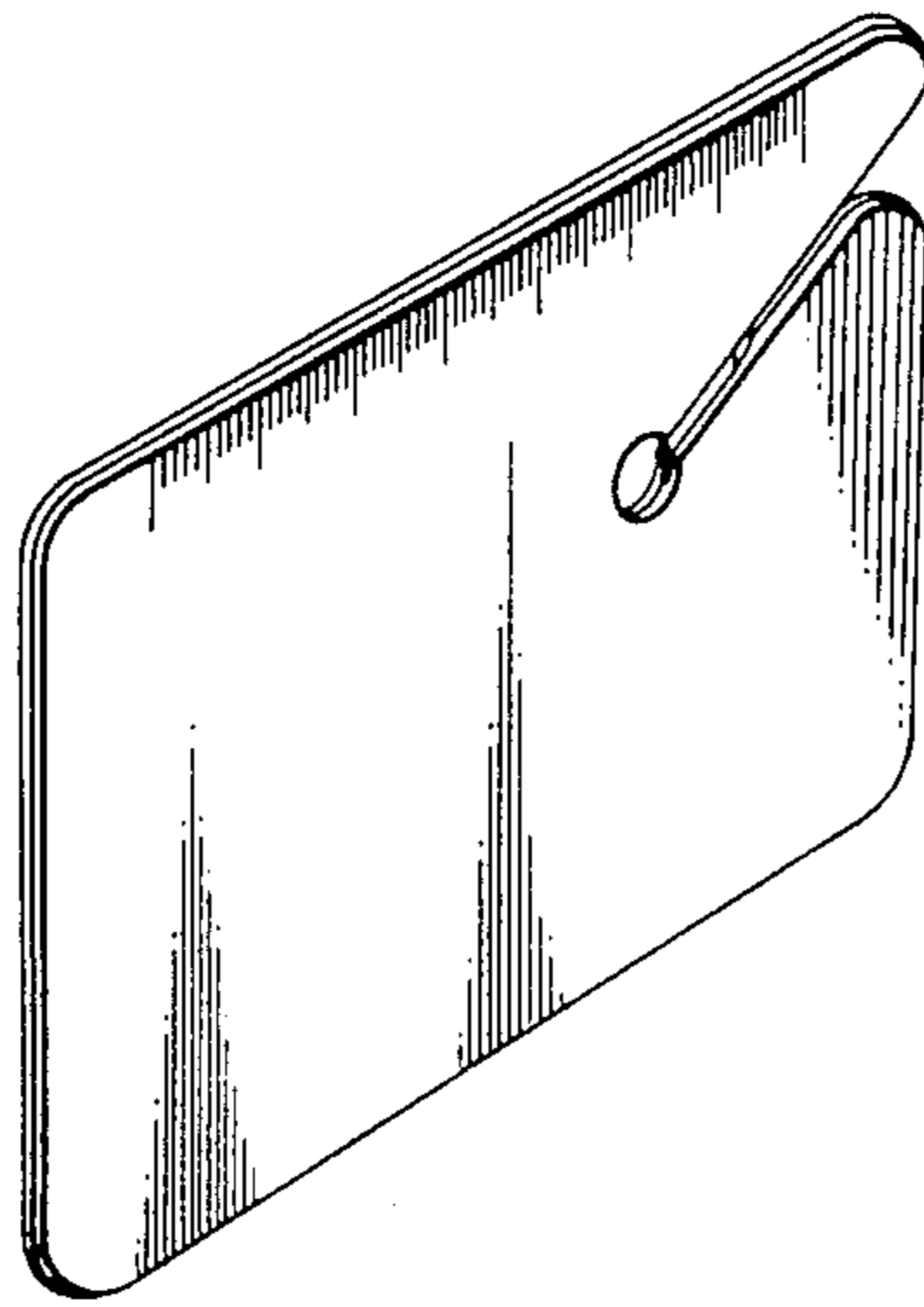


FIG. 2

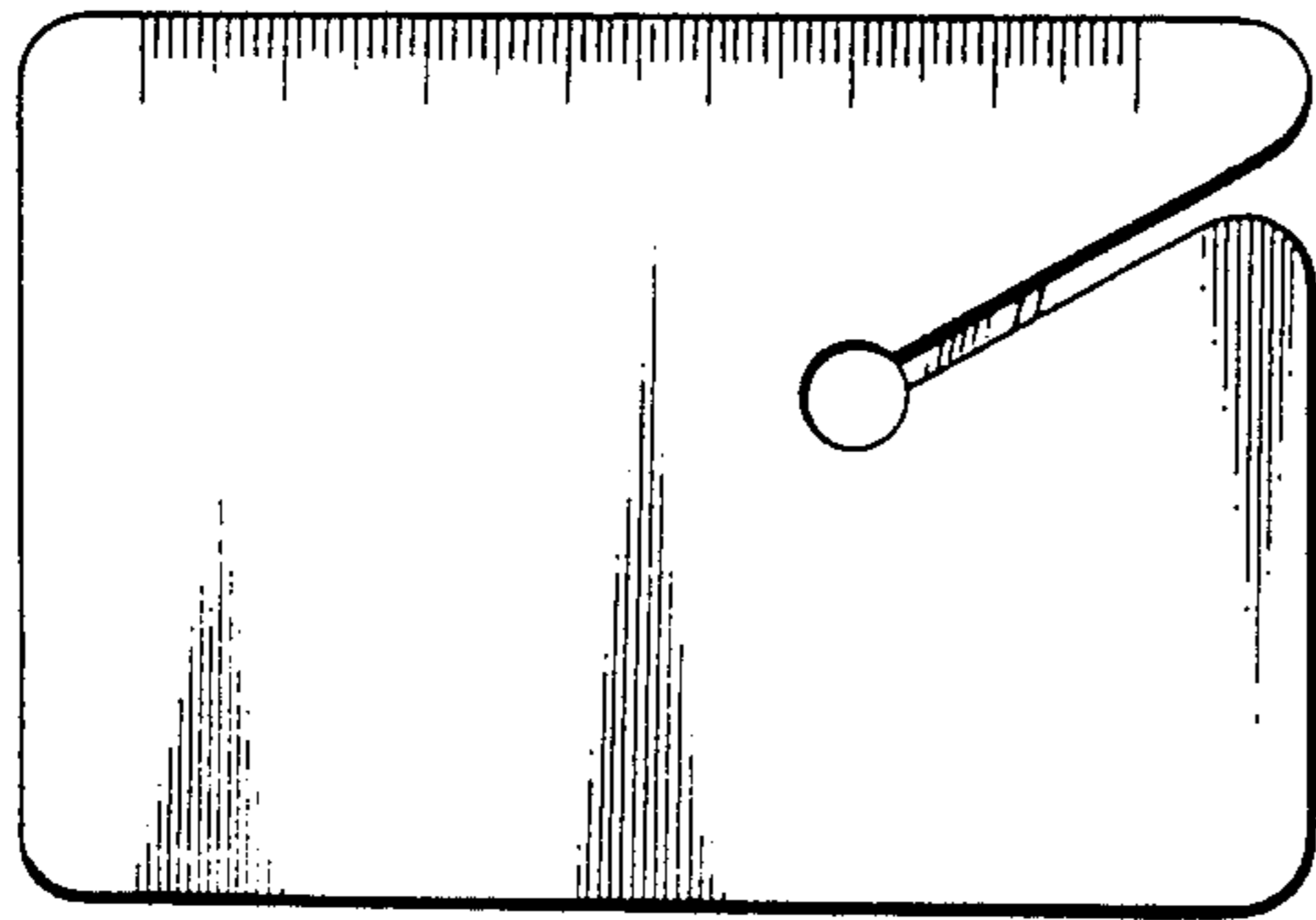


FIG. 3

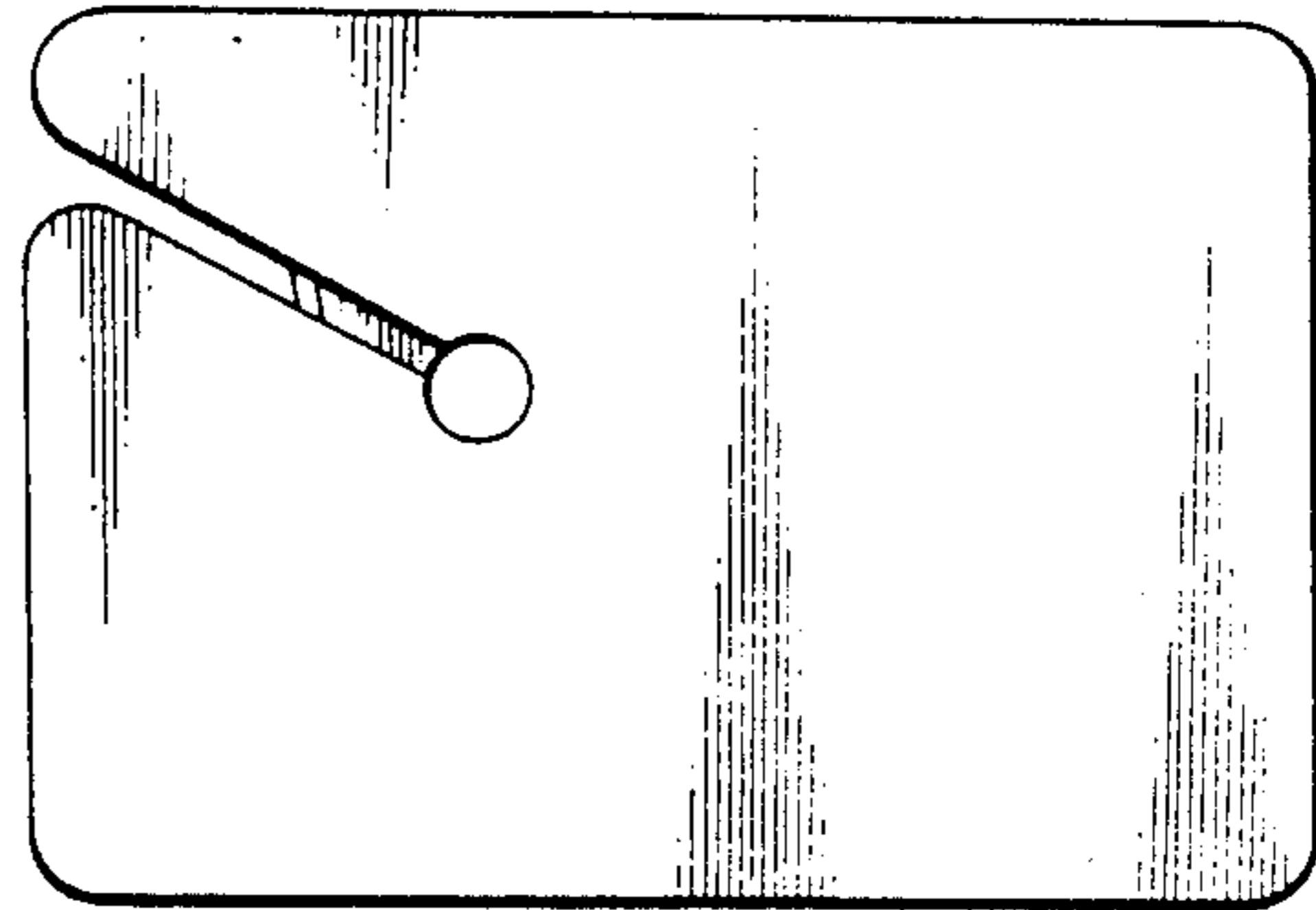


FIG. 4

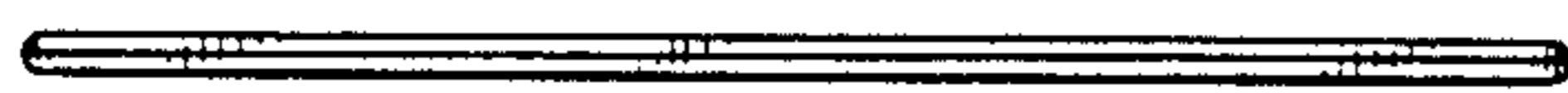


FIG. 5



FIG. 6

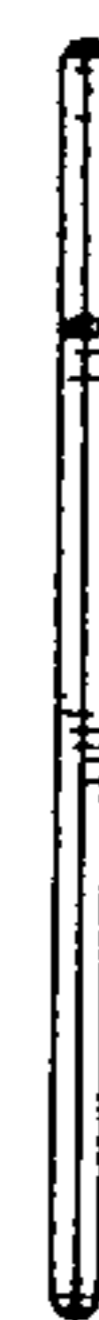


FIG. 7

